

[RFS-11H & 12H] Side Entry Level Switch

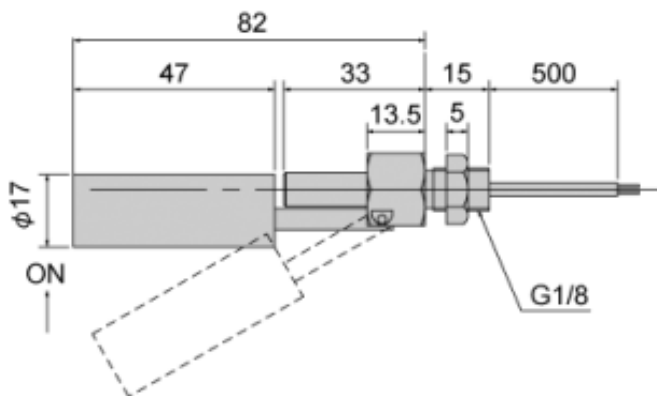


Material	
Stem	SUS304
Float	SUS304
Stopper	SUS304
Nut	SUS304

Specification		
Temperature Range (Atm. Pressure)	-40°C ~ +180°C	
Pressure Resistance (Room Temp.)	0.5MPa	
Specific Gravity of the liquid	Heavier than 0.8	
Electric Specs.	Max. Contact Capacity	50W DC/AC
	Max. Voltage	300V DC/AC
	Max. Current	0.5A DC/AC

Dimension

RFS-11H



RFS-12H

