

Level Switch NW3

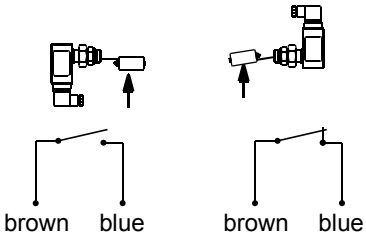


- Highly reproducible
- Normally open or normally closed contact
- Plug connection

Characteristics

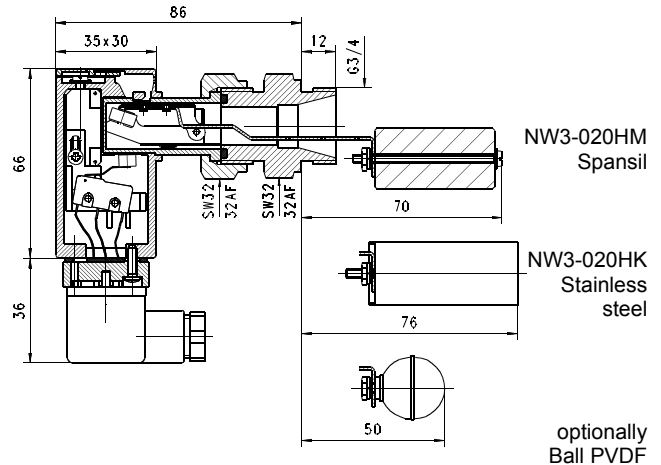
Mechanical level monitor for fluid media, with contact-free triggering of a reed contact.

Technical data

Switch	reed switch
Process connection	male thread G 3/4 A
Density of medium	Spansil float ³ 0.7 g/cm ³ Stainless steel float ³ 0.9 g/cm ³
Pressure resistance	Spansil float PN 25 bar Stainless steel float PN 10 bar
Medium temperature	-20..+110 °C
Ambient temperature	-20..+70 °C
Media	water, oils (aggressive media available on request)
Wiring	'normally open' or 'normally closed' No. 0.442 
Switching voltage	max. 230 V AC
Switching current	max. 1 A
Switching capacity	max. 50 VA
Protection class	2 - safety insulation
Ingress protection	IP 65
Electrical connection	plug DIN 43650-A / ISO 4400

Materials medium-contact	<i>Brass construction:</i> CW614N nickelled, 1.4301, 1.4571, Spansil (NBR), hard ferrite, NBR	<i>Stainless steel construction:</i> 1.4305, 1.4571, Hard ferrite, FKM
Non-medium-contact materials	ABS, PA, NBR	
Weight	0.35 kg	
Installation location	horizontal installation	

Dimensions



Handling and operation

- When tightening the union nut, the connection piece must be counter-torqued using an open-ended spanner (SW 19).
- It must be ensured that the values given for voltage, current, and power are not exceeded.
- When switched on, a load must be connected in series.
- The electrical details apply to ohmic loads. Capacitive, inductive and lamp loads must be operated using a protective circuit.
- Not suitable for use in media with ferritic particles.

Ordering code

NW3 - 1. 020 2. H 3.

1. Connection size	020	threaded connection G 3/4 A
2. Process connection	H	screw-in thread
3. Connection material	M	brass
	K	stainless steel

Options

- Connection for round plug connector M12x1, 4-pole
- Float ball PVDF
- Float cylinder stainless steel
- Signal lamp red or red/green with plug DIN 43650-A