

Needle Valves

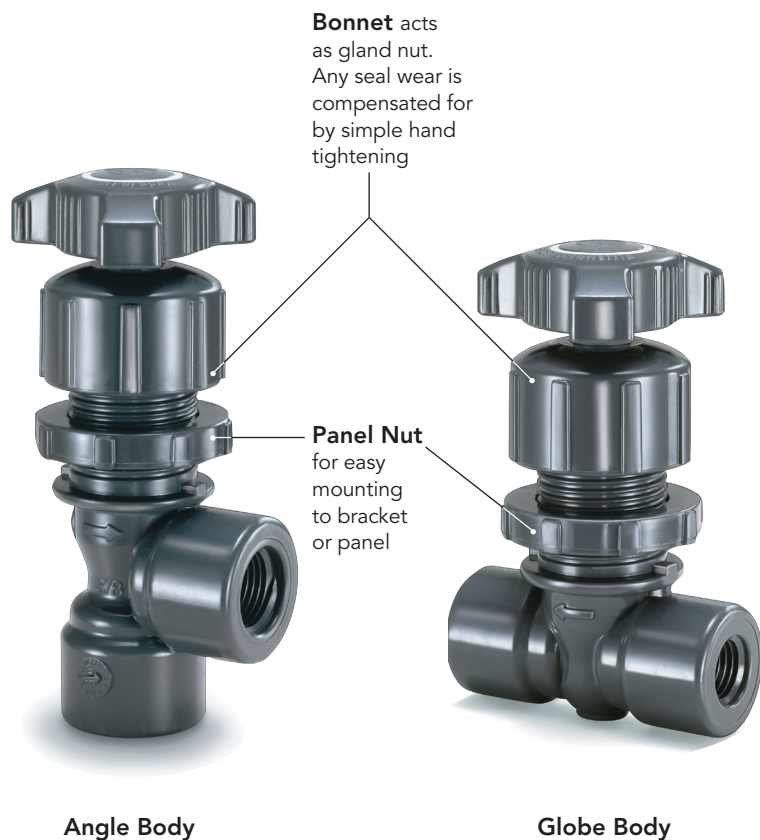


SERIES: NG – Globe Body
NA – Angle Body

SIZES: 1/4", 3/8" & 1/2"

ENDS: Female NPT

STEM SEALS: PTFE



Angle Body

Globe Body

Chemline N Series Needle Valves are designed for fine throttling of corrosive and ultrapure fluids at low flow rates. Because the seal material is PTFE, these valves are suitable for aggressive chemicals where similar valves with elastomer seals will not stand up.

Features

Precise Control with Fine Adjustment

- Precision machined seat and matching ground needle tip along with a 24 pitch fine thread stem (five turns from closed to full-open) provides for excellent flow control. Better control of reagents can mean significant cost savings.

High Chemical Resistance

- All parts are plastic or PTFE. No elastomers or metal parts are used.

Lubrication Free

- No silicone or other lubricants are used

Easy Maintenance

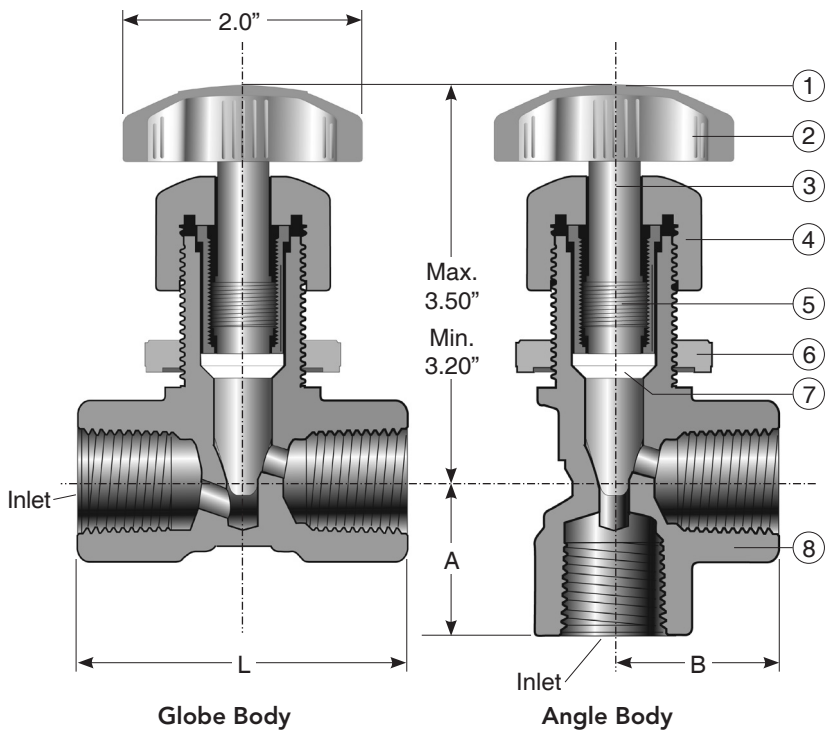
- Seal wear is compensated for by hand tightening the cap (gland). Valve can be serviced in-line. Simply unscrew bonnet to remove complete topworks for inspection or disassembly.

Heavy Duty Construction

- Thick stems

¹ PPG=Glass Reinforced Polypropylene.

Needle Valves



PARTS

No.	Part	Pcs.	Materials
1	Ring Insert ¹	1	PVC
2	Handle	1	PVC, CPVC, PPG
3	Stem/Needle	1	PVC, CPVC, PPG
4	Bonnet	1	PVC, CPVC, PPG
5	Thread Insert	1	Nylon ² , PPG
6	Panel Nut	1	PVC, CPVC, PPG
7	Seal	1	PTFE
8	Body	1	PVC, CPVC, PPG

¹ Standard colour for Ring Inserts:

PVC=white, CPVC=black, PP=blue.

² Threaded insert is reinforced Nylon for PVC and CPVC valves, PPG for PPG valves.

DIMENSIONS INCHES

Size	L	A	B	NET WEIGHTS LB.			Cv VALUES				
				Globe	Angle	Outlet Orifice	PVC	CPVC	PPG	Globe Body	Angle Body
1/4"	2.31	1.16	1.17	.187	.250	.187	.25	.27	.27	.31	.43
3/8"	2.39	1.19	1.21	.187	.250	.187	.25	.27	.27	.31	.43
1/2"	2.65	1.31	1.32	.218	.250	.218	.25	.27	.27	.62	.78

WORKING PRESSURES PSI

Size	PVC	CPVC			PPG		
	0-50°C 32-122°F	0-65°C 32-149°F	80°C 176°F	90°C 194°F	-20-30°C -4-86°F	60°C 140°F	75°C 167°F
1/4"	150	150	100	60	150	100	60
3/8"	150	150	100	60	150	100	60
1/2"	150	150	100	60	150	100	60

Temperature Ranges: PVC 0 to 60°C (32 to 140°F), CPVC 0 to 95°C (32 to 203°F), PPG -20 to 75°C (-4 to 167°F)

Sample Specification

All (PVC/CPVC/PPG) Needle Valves 1/4" to 1/2" shall be Chemline N Series (Globe/Angle) body with PTFE seal and no elastomers. Valves will have 24 pitch stem threads for fine control and have panel mounting capability.

ORDERING EXAMPLE

Chemline Needle Valves				N	G	A	005
Body Pattern	G - Globe		A - Angle				
Valve Material	A - PVC	B - PPG	C - CPVC				
Size	002 - 1/4"	003 - 3/8"	005 - 1/2"				

Example: Needle Valve, Globe Pattern, PVC, 1/2", threaded ends.

VACUUM RATING

- 29.9 inches mercury

OPTIONS

- Black, white, blue or red rings are available for colour coding