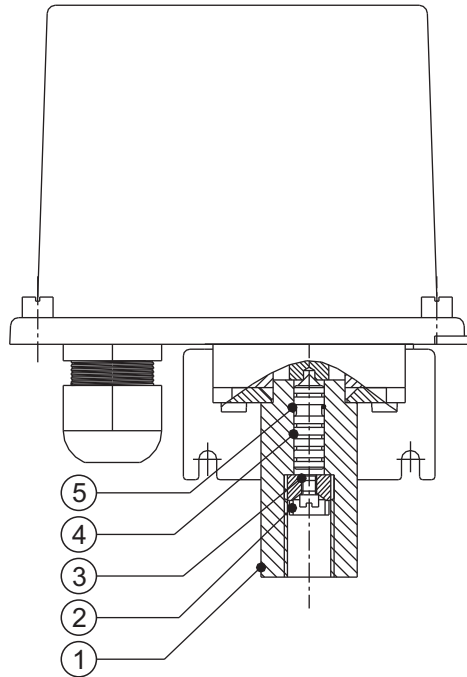




PRESSURE CAPSULE DETAILS

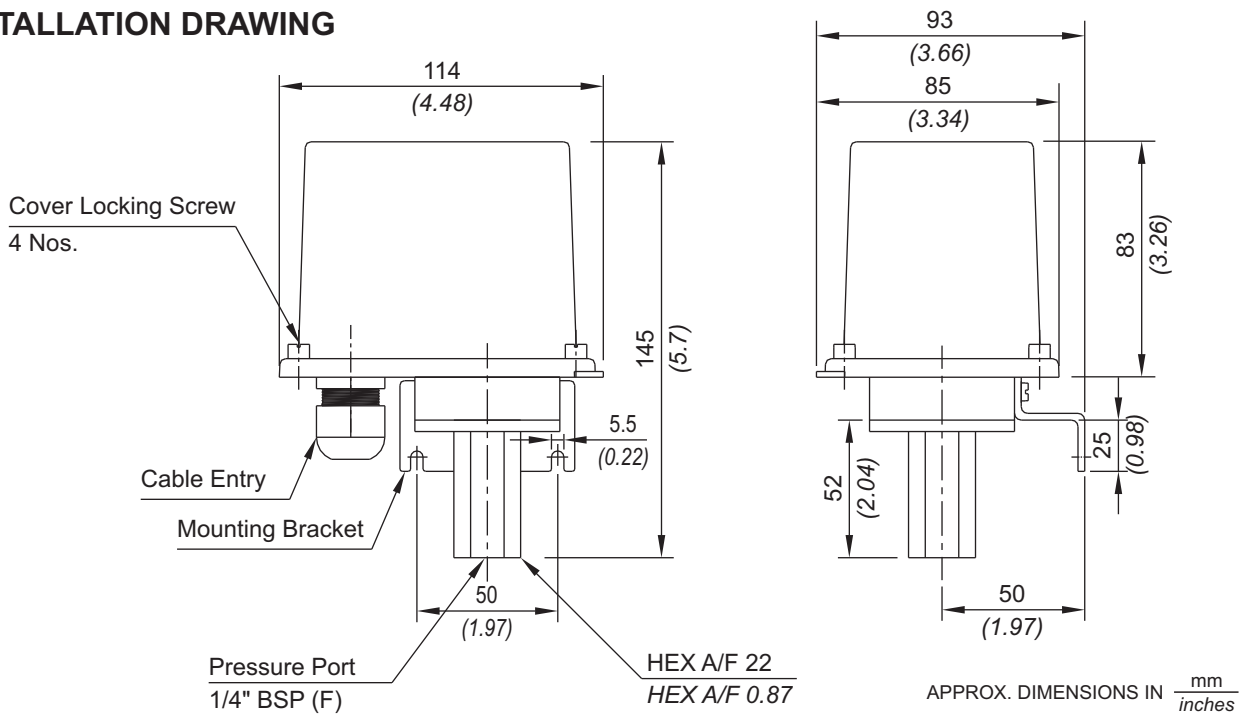


No. Description

1. Pressure housing (SS)
2. Surge Arrester (SS)
3. Surge Reducer (SS)
4. Piston (SS)
5. O-Ring (Viton®)

Note : *wetted parts* are mentioned in italics.

INSTALLATION DRAWING



MZ HYDRAULIC RANGE PRESSURE SWITCHES

RANGE SELECTION TABLE

Range Code	Range bar (psi)	Differential* bar (psi)	Maximum Working Pressure bar (psi)
		Approximate Maximum for "A8" microswitch	
040	5 - 40 (72.52 - 580.15)	5 (72.52)	80 (1160.31)
100	10 - 100 (145.04 - 1450.38)	12 (174.05)	120 (1740.45)
200	7 - 200 (101.63 - 2900.75)	24 (348.09)	200 (2900.75)
350	35 - 350 (101.53 - 2900.75)	24 (348.09)	500 (7251.89)
400	100 - 400 (1450.38 - 5801.51)	30 (435.11)	400 (5801.59)

*Minimum differential increases with setpoint (Graphs available on request)

HOW TO ORDER PROCESS HYDRAULIC RANGE PRESSURE SWITCHES

HYDRAULIC RANGE PRESSURE SWITCHES

MZ

Group 1	Group 2	Group 3	Group 4	Group 5	Group 6	Group 7	Group 8
Non standard allocation	Model	Cable Entry Size and Material of Enclosure	Switch Type	Range Code (values in bar)	Microswitch Type	Pressure Port Material / Size	Piston
<input type="checkbox"/> Reserved for non-standard options not covered in catalogue. Will be given by manufacturer, only after agreement of supply details with customer.	MZ = Process pressure switch with tough transparent polycarbonate enclosure to IP66 as per IS2147	3 = M20 X 1.5 cable gland	PF2 = pressure switch, fixed differential with scale in bar PF3 = pressure switch, fixed differential with scale in psi *PA2 = pressure switch, adjustable differential with scale in bar *PA3 = pressure switch, adjustable differential with scale in psi <small>*Available only with option A9 in Group 6</small>	040 = (5 - 40) 100 = (10 - 100) 200 = (7 - 200) 350 = (35 - 350) 400 = (100 - 400)	A8 = General purpose microswitch rated at 5A; 250 VAC A7 = 2SPDT microswitches A9 = General purpose microswitch rated @ 5A, 250 VAC	S1 = SS316 / 1/4" BSP(F) S2 = SS316 / 1/4" NPT(F)	2 = SS
					<small>* Please refer note under Range Selection Table</small>	<small>Please refer page no. 226 & 227 for more pressure port options</small>	

eg. A process pressure switch with fixed differential having 5 bar to 40 bar pressure range, with 5 Amp. microswitch, SS316 pressure housing with 1/4" BSP port size & neoprene diaphragm shall be specified by

Group 1	Group 2	Group 3	Group 4	Group 5	Group 6	Group 7	Group 8
<input type="checkbox"/>	MZ	3	PF2	040	A8	S1	0

Please specify full model number to avoid ambiguity.