

## Flow Switch HR1MV

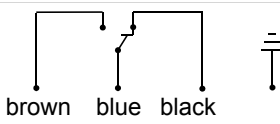


- Viscosity stabilised from 30 to 200 mm<sup>2</sup>/s
- High switching power
- Solid construction

### Characteristics

Mechanical flow switch, for fluid media, with spring-supported piston and magnetic triggering of a reed switch. Robust construction in brass or stainless steel.

### Technical data

<b>Switch</b>	reed switch	
<b>Nominal width</b>	DN 32..50	
<b>Process connection</b>	female thread G 1 <sup>1</sup> / <sub>4</sub> ..G 2 (further process connections available on request)	
<b>Switching range</b>	2..220 l/min	for details see table "Ranges"
<b>Q<sub>max.</sub></b>	to 250 l/min	
<b>Tolerance</b>	±5 % of the full scale value plus viscosity variation	
<b>Pressure resistance</b>	PN 200 bar	
<b>Media temperature</b>	-20..+120 °C with display Z -20..+70 °C	
<b>Ambient temperature</b>	-20..+70 °C	
<b>Media</b>	water, oils (gases and aggressive media available on request)	
<b>Wiring</b>	changeover No. 0.227 	
<b>Switching voltage</b>	max. 250 V AC	
<b>Switching current</b>	max. 1.5 A	
<b>Switching capacity</b>	max. 50 VA	
<b>Protection class</b>	2 - safety insulation	
<b>Ingress protection</b>	IP 65	
<b>Electrical connection</b>	cable 2.5 m, optionally plug DIN 43650-A / ISO 4400 or for round plug connector M12x1, 4-pole	
<b>Materials medium-contact</b>	<i>Brass construction:</i> CW614N nickelled, CW614N, 1.4310, hard ferrite DN 32..40: NBR	<i>Stainless steel construction:</i> 1.4571, 1.4404, 1.4310, hard ferrite PTFE-coated, DN 32..40: FKM
<b>Non-medium-contact materials</b>	steel coated with Rilsal, CW614N, NBR	

<b>Weight</b>	see table "Dimensions and weights"
<b>Installation location</b>	Standard: horizontal inwards flow from the left; other installation positions are possible; the installation position affects the switching point and range.

### Ranges

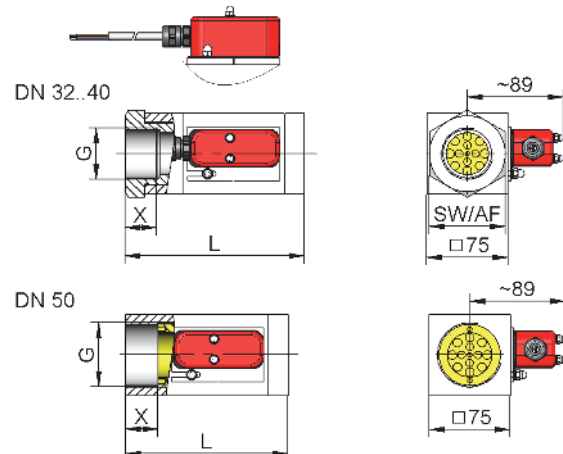
For switching ranges, the details in the table correspond to horizontal inwards flow and decreasing flow rate; for display ranges they correspond to horizontal inwards flow and increasing flow rate.

Switching range l/min H <sub>2</sub> O or oil 30..200 mm <sup>2</sup> /s	Display range l/min H <sub>2</sub> O or oil 30..200 mm <sup>2</sup> /s	Q <sub>max.</sub> recommended
2 - 12	2 - 15	50
5 - 20	5 - 25	60
10 - 40	10 - 45	100
20 - 60	20 - 65	150
30 - 100	30 - 110	200
50 - 150	50 - 160	230
100 - 200	100 - 220	250

Special ranges are available.

### Dimensions and weights

DN	G	Types	L	SW	X	Weight kg
32	G 1 <sup>1</sup> / <sub>4</sub>	HR1MV-0032G.	165	70	29	6.0
40	G 1 <sup>1</sup> / <sub>2</sub>	HR1MV-0040G.	165	-	-	5.7
50	G 2	HR1MV-0050G.	150	-	26	5.2



### Additional weights for options

Display O 0.10 kg

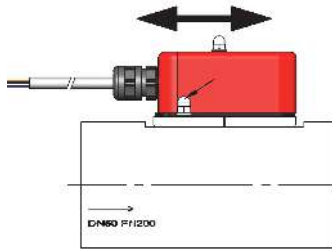
## Handling and Operation

### Note

- Include straight calming section of 5 x DN in inlet and outlet
- If the media are dirty, install a filter (use magnetic filter for ferritic components).
- It must be ensured that the values given for voltage, current, and power are not exceeded.
- When switch on, a load must be connected in series.
- The electrical details apply to ohmic loads. Capacitive, inductive and lamp loads must be operated using a protective circuit.

### Adjustment

If it is necessary to set the switching value, the switching head can be adjusted lengthways. When the switching value is reached, the switching unit is fixed in place by fastening bolts.



## Ordering code

HR1MV  1.  2.  3. **G** 4.  5.  6.

○=Option

<b>1. Display options</b>	
-	no mechanical display
O	with measurement display at side O
<b>2. Nominal width</b>	
032	DN 32 - G 1 <sup>1</sup> / <sub>4</sub>
040	DN 40 - G 1 <sup>1</sup> / <sub>2</sub>
050	DN 50 - G 2
<b>3. Process connection</b>	
G	female thread
<b>4. Connection material</b>	
M	brass
K	<input type="radio"/> stainless steel
<b>5. Switching range H<sub>2</sub>O or oil 30..200 mm<sup>2</sup>/s for horizontal inwards flow</b>	
012	2 - 12 l/min
025	5 - 25 l/min
040	10 - 40 l/min
060	20 - 60 l/min
100	30 - 100 l/min
150	50 - 150 l/min
200	100 - 200 l/min
<b>6. Special switching head</b>	
A	switching head ATEX A-H1.2 Please order the switching head for -use in a  ion.



HR1MVO



Temperature-display



## Options

- Signal lamp red or red / green in the hood
- Rhodium contact (250 VAC, 0,5 A, 30 VA)
- Temperature display up to 120 °C
- Reinforced piston
- Additional switching head
- Plug DIN 43650-A / ISO 4400, Tuchel or Harting
- Connection for round plug connector M12x1
- Temperature monitoring
- Damping for gas monitoring
- Switching values for oil or gas
- Special values

## Ordering information

- Specify direction of flow, medium, and switching range.
- For viscous media specify viscosity, temperature, and medium (e.g. ISO VG 68) (enquire about switching range).
- For gases, state pressure (relative or absolute), temperature and medium (e.g. air) (request switching range).