

# High Capacity 6" Ball Valves



SERIES: HC

SIZES: 6" & 8"<sup>1</sup>

ENDS: Socket, Flanged or Butt<sup>2</sup>

SEATS: PTFE

SEALS<sup>2</sup>: EPDM or FPM (Viton®)

**Slotted Top Surface**  
For easy actuator mounting



Chemline **HC Series** is a true large port 6" ball valve manufactured in PVC, polypropylene and PVDF. Most other 6" valves often are 4" with ends increased to 6". HC Series offers an unobstructed full port which allows passage of mechanical pipe cleaners or "pigs". Applications include unfiltered sea water and sewage lines. It is also suitable for mild slurries and vacuum lines.

## Features

### Large Port

- **Low Pressure Loss** –  $C_v$  value of 1880
- **No Obstruction to Flow** – No possible hang-up of debris. Suitable for lines where "pigging" is required
- **Low Fluid Velocities** – Minimal line velocity increase through these valves means lower abrasion if solids are present

### Compact Dimensions

- Minimum end-to-end length

### Easy Maintenance

- The body is a lugged cartridge which slips out of line when the end flange bolts are removed

### Light Weight

- Easy installation
- Minimal stress on piping system

### No Cavity between Body and Ball

- The low dead volume eliminates sediment build-up

### Cushioned PTFE Ball Seats

- Elastomer cushions provide a good closure seal and smooth operation

### PTFE Stem and Trunion Bearings

- Assure low torque and maintenance free operation

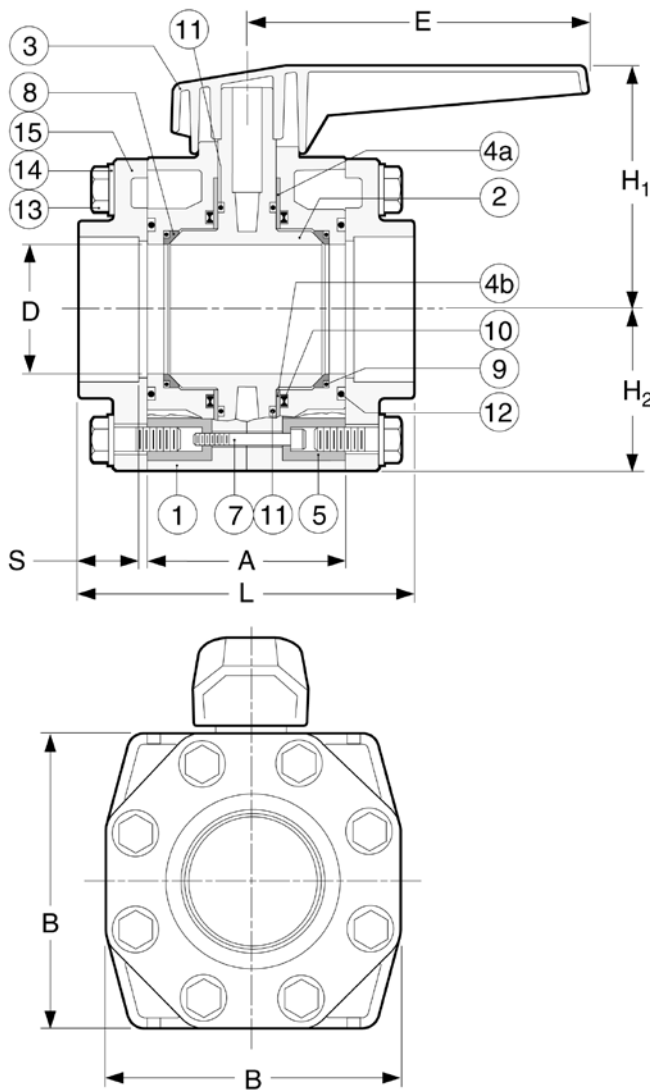
### Available Flanged to 8"

- The  $C_v$  value of these valves flanged to 8" is approximately equal to that of an 8" butterfly valve but offers no obstruction in flow path

<sup>1</sup> 8" size is a 6" valve with 8" flanged ends

<sup>2</sup> Butt ends for fusion to Chemline metric PP, PVDF and ECTFE (Halar®) piping

# HC Series High Capacity 6" Ball Valves



## PARTS

▲ Recommended Spare Parts

No.	Part	Pcs.	Materials
1	Split Body	2	PVC, PP, PVDF
2	Ball/Stem Unit	1	PVC, PP, PVDF
3	Handle	1	PVC
4a	Stem Bearing	1	PTFE
4b	Trunion Bearing	1	PTFE
5	Hex Retainer Lug	8	304 SS
7	Body Retainer Bolt	8	304 SS
8▲	Ball Seat	2	PTFE
9▲	Seat Cushion <sup>1</sup>	2	EPDM, FPM (Viton®)
10▲	Body & Stem Seal <sup>1</sup>	1	EPDM, FPM (Viton®)
11▲	Stem & Trunion O-Ring <sup>1</sup>	2	EPDM, FPM (Viton®)
12▲	Body Face O-Ring <sup>1</sup>	2	EPDM, FPM (Viton®)
13	End Piece Retainer Bolt	16	304 SS
14	Washer	14	304 SS
15	Socket End Piece	2	PVC, PP, PVDF

<sup>1</sup>EPDM is supplied standard with PVC & PP. FPM (Viton®) is supplied standard with PVDF valve.

## VACUUM RATING

- 29.9 inches mercury

## OPTIONS & ACCESSORIES

- **Electrical or Pneumatically Actuated**  
– Refer to separate data sheets
- **Stem Extensions** – Made to any length
- **Limit Switches** – For open and/or closed position indication
- **Handle Lockout** – Field mountable
- **Municipal Operating Nut**
- **Gear Operator**

## WEIGHTS LB.

Size	Material	Socket	Flanged
6"	PVC	50	70
	PP	38	54
	PVDF	58	78

## DIMENSIONS INCHES

Size	Material	D Bore	S Socket	L Socket	L Flanged	A	B	E	H <sub>1</sub>	H <sub>2</sub>
6"	PVC	5.3	3.4	15.2	22.4	8.0	10.6	12.2	8.3	5.3
	PP	5.3	–	14.3	19.8	8.0	10.6	12.2	8.3	5.3
	PVDF	5.1	–	14.3	19.8	8.0	10.6	12.2	8.3	5.3
8"	PVC	5.3	C.F.	C.F.	25.2	8.0	10.6	12.2	8.3	5.3
	PP	5.3	–	–	C.F.	8.0	10.6	12.2	8.3	5.3
	PVDF	5.1	–	–	C.F.	8.0	10.6	12.2	8.3	5.3

## WORKING PRESSURES PSI

Size	PVC			Polypropylene			PVDF				
	0-40°C 32-104°F	50°C 122°F	60°C 140°F	0-40°C 32-104°F	60°C 140°F	80°C 176°F	-40-70°C -40-158°F	80°C 176°F	90°C 194°F	100°C 212°F	120°C 248°F
6"	85	45	15	85	60	30	85	75	60	45	30
8"	85	45	15	85	60	30	85	75	60	45	30

HC Series.DS.10.12.22