

GY Series Giant Butterfly Valves



PP

SERIES: GY

SIZES: 28" to 40"

BODY TYPE: Wafer Style

MATERIALS: Body: Polypropylene (PP)
Disc: PP (Standard), PVC or CPVC
Seat & O-Rings: EPDM or FKM (Viton®)

The Chemline **GY Series** Giant Butterfly valve has a full elastomeric seat with tight sealing. Polypropylene (PP) is a durable material offering high impact strength. This valve's weight is a fraction of the weight of cast iron. GY Series valves are designed for long service life in corrosive environments. They are ideal for fibreglass ducting handling corrosive gases or HPDE (high density polyethylene) pipe transporting corrosive liquids or water. Applications include acid plants, hydrometallurgical plants, landfills and aquariums.

Features

Sizes from 28" to 40"

Light Weight

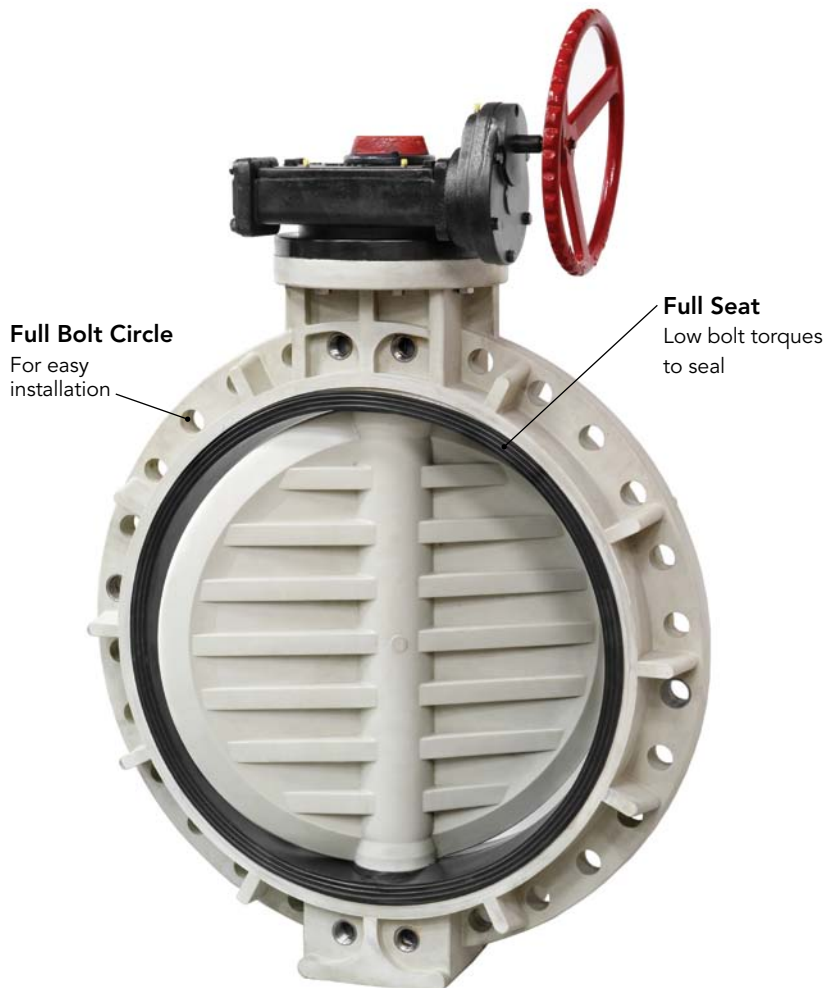
- Less than half the weight of cast iron
- Significantly lower cost of installation and removal for maintenance

Easily Installed

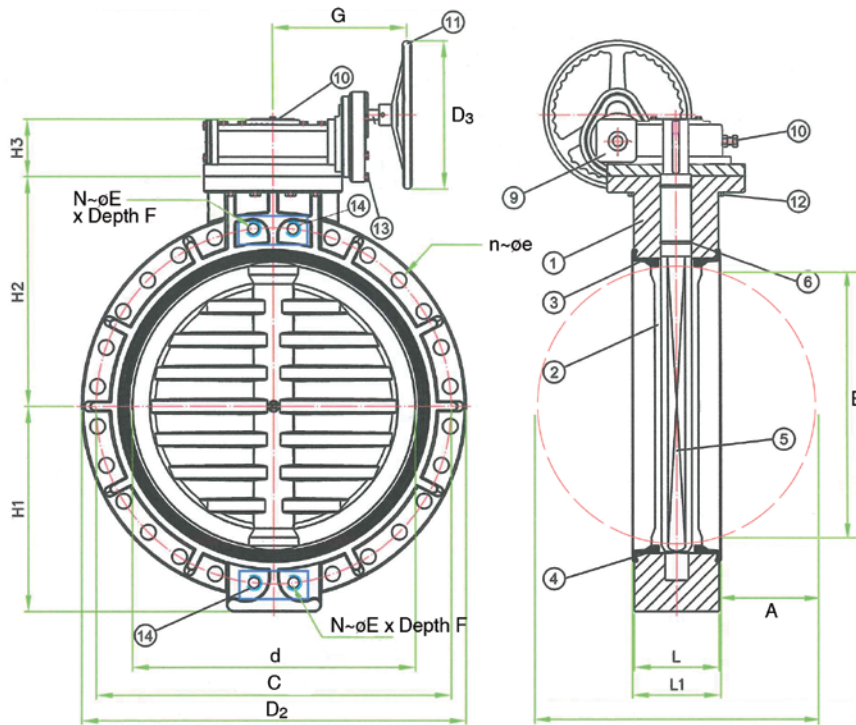
- Full bolt hole circle makes installation and alignment easy
- No flange gaskets are necessary

Easy to Actuate

- Top flange and shaft have ISO 5211 standard dimensions for easy mounting of electric or pneumatic actuators



GY Series Giant Butterfly Valves



PARTS

▲ Recommended Spare Parts

No.	Part	Pcs.	Materials
1	Body	1	PP
2▲	Disc	1	PP, PVC, CPVC
3▲	Seat	1	EPDM, FKM (Viton®)
4▲	Disc O-Ring (A)	2	EPDM, FKM (Viton®)
5	Shaft	1	SUS410
6▲	Stem O-Ring	2	EPDM, FKM (Viton®)
7	Gear Box	1	Cast Iron
8	Indicator Plate	1	Cast Iron
9	Gear	1	Ductile Iron
10	Adjustment Bolt	2	SS41 Steel
11	Hand Wheel	1	Cast Iron
12	Bolt	4	SUS304
13	Bolt	6	SS41 Steel
14	Threaded Inserts ¹	8	SUS304

¹ UNC threaded lugs at top and bottom of body

DIMENSIONS INCHES

Size	d	C	D ₂	A	B	e	n	H ₁	H ₂	H ₃	G	D ₃	L	L ₁	UNC Threaded Inserts		
															E UNC	N	F
28"	26.77	34.02	36.54	9.25	26.59	1.37	28	19.65	22.16	4.92	12.05	15.98	7.87	8.11	1-1/4-7	8	1.00
32"	30.71	38.50	41.73	10.63	30.49	1.61	28	22.24	24.80	5.04	14.57	15.98	9.21	9.68	1-1/2-6	8	2.00
36"	34.25	42.75	46.38	12.34	33.90	1.61	32	24.57	27.32	5.59	14.57	15.98	9.21	9.65	1-1/2-6	8	2.00
40"	38.19	47.24	50.63	13.11	37.84	1.61	36	26.93	30.00	8.27	18.54	20.00	11.57	11.85	1-1/2-6	8	2.60

*B=Minimum inside diameter (I.D.) of mating pipe. If I.D. of pipe is B dimension or less, the inside of pipe must be chamfered or spacers provided. Consult Chemline.

WORKING PRESSURES PSI

NET WEIGHT LBS.

C_v VALUES

FLANGE

BOLT TORQUES FT.LBS.

Size	PSI		Lbs.	90°	Recommended Torque
	0 to 60°C 32 to 140°F	80°C 176°F			
28"	45	20	474	32,000	110
32"	45	20	514	43,000	130
36"	45	20	595	55,000	130
40"	45	20	992	70,000	130

ORDERING EXAMPLE

Chemline GY Series Giant Butterfly Valves	GY	B	280	B	E	G
Body	B – PP					
Size	280 – 28"	320 – 32"	360 – 36"	400 – 40"		
Disc	B – PP (standard)		A – PVC	C – CPVC		
Seat	E – EPDM V – FKM (Viton®)					
Operator	G – Gear Operator					

Example: Chemline GY Series Giant Butterfly Valve, PP body, 28", with EPDM seat, gear operator

GY Series.DS.04.17.23