

# GV Series Globe Valves

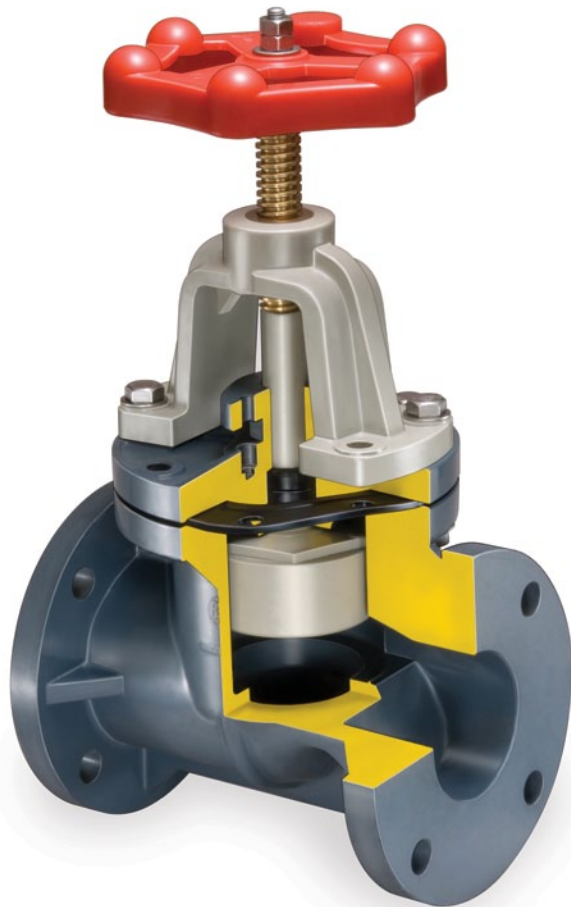


SERIES: GV

SIZES: 1/2" to 4"

ENDS: Socket<sup>1</sup>, Threaded or Flanged

SEALS: EPDM or FKM (Viton®)



2-1/2" to 4" Outside Spindle and Yolk Type

Chemline **GV Series** Globe Valves are of traditional design in solid plastic. They work as a throttling valve. The in-line globe design causes relatively high pressure drops, however they work well as balancing valves in piping systems.

## Features

### Slow Closing

- Prevents water hammer in piping

### Heavy Duty Construction

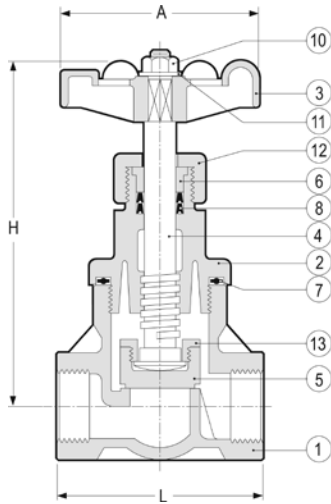
- Long service life



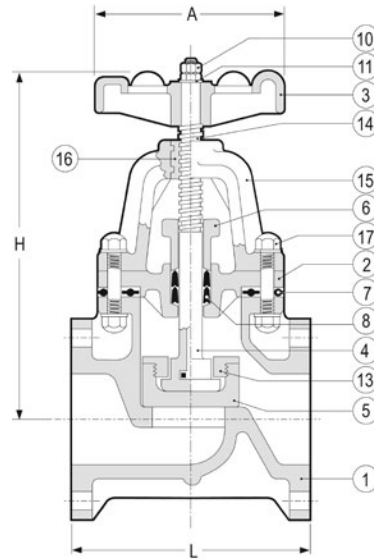
Union Bonnet Design 1/2" to 2"

<sup>1</sup> Socket ends are available custom basis

# GV Series Globe Valves



1/2" to 2" Valves



2-1/2" to 4" Valves

## PARTS

▲ Recommended Spare Parts

No.	Part	Pcs.	Materials
1	Body	1	PVC, PP
2	Bonnet	1	PVC, PP
3	Handwheel	1	PP
4	Stem	1	PVC, PP
5	Disc	1	PP
6	Gland	1	PVC, PP
7▲	Bonnet Seal	1	EPDM, FKM
8▲	Stem Packing	2	EPDM, FKM
10	Nut	1	PVC
11	Washer	1	PVC
12	Gland Nut	1	PVC, PP
13	Disc Retainer	1	PP
14	Stem Top <sup>1</sup>	1	Brass, 400 SS
15	Yolk	1	PP
16	Yolk Sleeve	1	Bronze
17	Bolt & Nut	8 sets	304 SS
18	Stud & Nut	2 sets	304 SS

<sup>1</sup>Stem top for valves up to 2" stem are brass. For valves 2-1/2" to 4" stem tops are 400 SS.

## DIMENSIONS INCHES

## Cv VALUES VS % OPEN

## WEIGHTS LB.

Size	A	L Soc	L <sup>2</sup> Thd	L <sup>3</sup> Flg	H Open	Valve Opening (%)					No. Turns to Open	PVC Soc/Thd	PVC Flg	PP Thd	PP Flg
						20	40	60	80	100					
1/2"	2.6	4.33	3.35	5.3	5.3	2.6	3.5	3.9	4.0	4.1	2.75	0.64	1.0	0.37	0.66
3/4"	2.6	5.12	3.74	6.0	5.5	4.0	5.5	6.1	6.3	6.4	3.25	1.1	1.3	0.55	0.84
1"	3.6	5.19	4.33	6.8	6.4	6.1	8.4	9.2	9.5	9.7	3.25	1.1	2.2	0.77	1.3
1-1/4"	3.6	5.32	5.32	8.2	6.6	11.3	15.5	17.1	17.7	18.0	2.50	1.3	2.9	-	-
1-1/2"	5.3	5.51	5.51	8.4	9.1	13.8	19.0	20.9	21.6	22.0	3.75	2.6	4.6	-	2.9
2"	5.3	7.09	7.09	11.0	9.9	18.2	25.0	27.5	28.5	29.0	3.25	3.5	5.7	-	3.5
2-1/2"	7.3	-	-	8.7	13.6	35.7	49.2	54.1	56.1	57.0	7.50	-	13.0	-	11.0
3"	7.3	-	-	9.5	14.1	48.9	67.3	74.1	76.7	78.0	7.50	-	15.0	-	11.0
4"	7.3	-	-	11.4	16.5	72.1	99.2	109.0	113.0	115.0	8.50	-	22.0	-	18.0

**Note:** 1-1/4" size is not available in PP. <sup>2</sup> Threaded ends are available in PVC 1/2" to 2" and PP 1/2" to 1".

<sup>3</sup>L Flanged is for fabricated flanged valves normally supplied 1/2" to 2". Solid flanged (special order) 1/2" to 2" valves have shorter dimensions. Consult Chemline.

## WORKING PRESSURES PSI

Size	PVC			Polypropylene		
	0-20°C 32-68°F	40°C 104°F	50°C 122°F	-20-20°C -4-68°F	60°C 140°F	80°C 176°F
1/2" to 1-1/2"	150	105	105	105	90	65
2"	150	105	90	105	70	40
2-1/2" to 3"	150	105	90	105	60	35
4"	150	80	65	105	60	35

Temperature Ranges: PVC 0 to 50°C (32 to 122°F), PP -20 to 90°C (-4 to 194°F)

## ORDERING EXAMPLE

Chemline GV Series Globe Valves	GV	A	015	E	T
Body Material	A - PVC B - Polypropylene				
Size	005 - 1/2" 020 - 2" 007 - 3/4" 025 - 2-1/2" 010 - 1" 030 - 3" 012 - 1-1/4" 040 - 4" 015 - 1-1/2"				
Seals	E - EPDM V - FKM (Viton®)				
Ends	S - Socket T - Threaded F - Flanged				

**Example:** Chemline GV Series Globe Valve, PVC, 1-1/2", EPDM seals, threaded ends

GV Series.DS.05.31.23