

# GT Series Gate Valves



PP

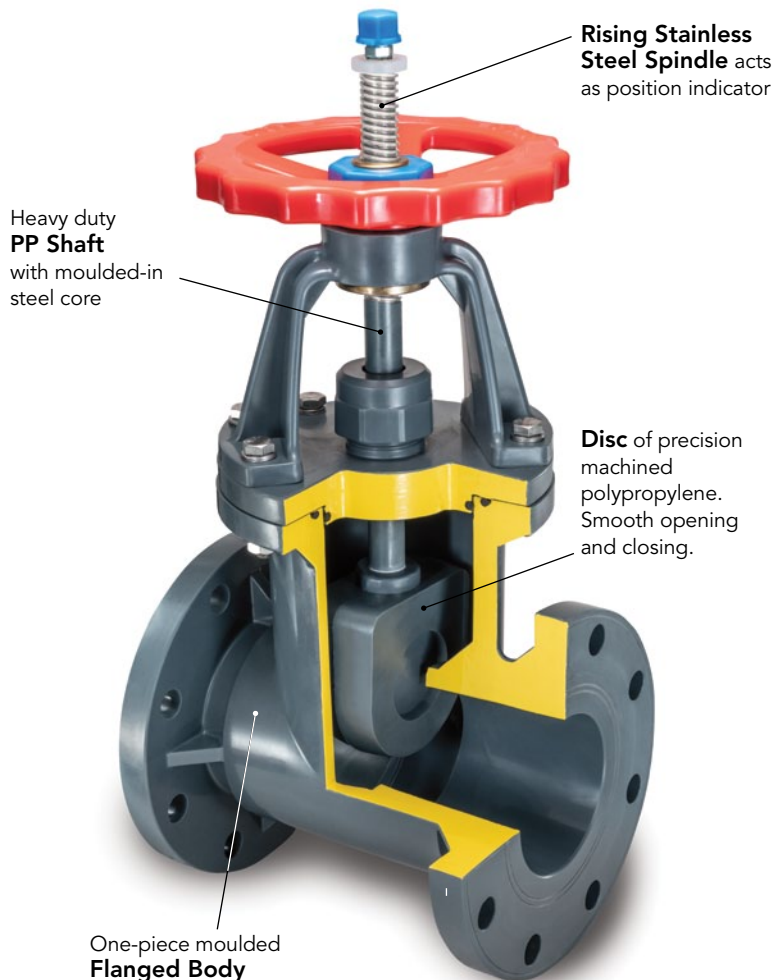
CRN REGISTRATION  
PENDING

SERIES: GT

SIZES: 1-1/2" to 8"

ENDS: Flanged

SEALS: EPDM or FPM (Viton®)



The Chemline **GT Series** flanged Gate Valve is an excellent isolating valve, but is also versatile. Fully open it has an unobstructed port so pressure drop is low. Water hammer can be a problem with quick closing valves such as ball and butterfly. Use of this multi-turn, slow closing valve eliminates water hammer. Unlike metal gate valves, this one may be throttled. The polypropylene disc is not subject to erosion by high fluid velocities, and will not chatter. Compared to flanged True Union ball valves, these gate valves are stronger and don't have the additional possible leak paths at the unions.

## Features

### Full Port up to 8" diameter

- Low pressure losses

### Slow Closing

- No water hammer

### Light Weight

- Fast and easy to install

### Solid, One-Piece Moulded Flanged Body

- Strong enough for installation in metal piping

### Polypropylene Construction

- Suitable for higher temperature applications than PVC: 90°C (194°F) for PP vs. 60°C (140°F) for PVC

### Unobstructed Flow

- Low pressure drop
- Self flushing

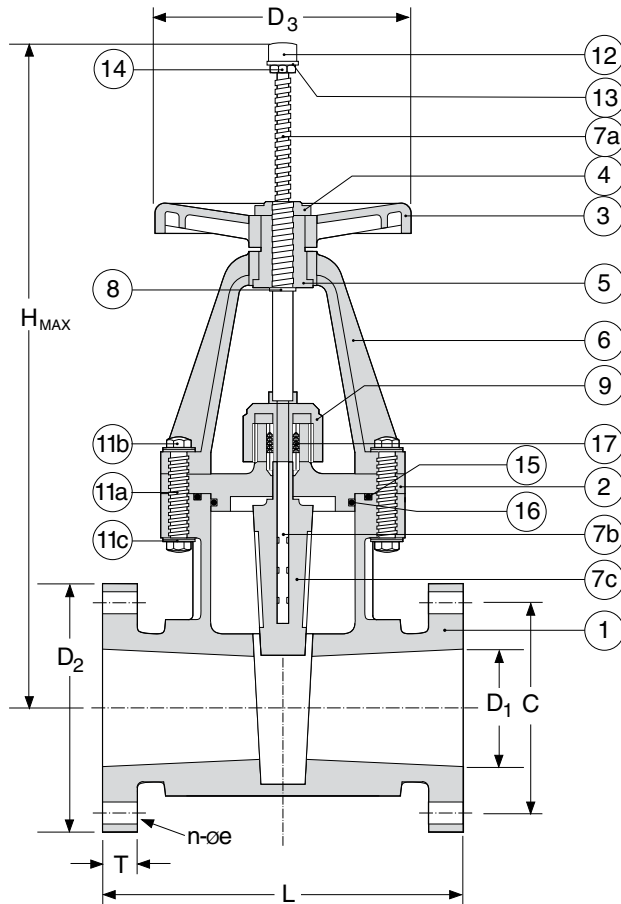


### Bubble Tight Closure

- 150 psi working pressure



# GT Series Gate Valves



## PARTS

▲ Recommended Spare Parts

No.	Part	Pcs.	Materials
1	Body	1	PP
2	Bonnet	1	PP
3	Handwheel	1	PP
4	Lock Nut	1	PP
5	Sleeve	1	Zinc plated steel
6	Yolk	1	PP
7a	Spindle	1	304 Stainless Steel
7b	Shaft	1	PP covered S45L
7c	Disc	1	PP
8	Washer	1	2-1/2" to 8" 304SS
		0	1-1/2" to 2" N/A
9	Gland Cap	1	PP
10	Bushing	2	PP
11a	Hex Bolt	6	304 Stainless Steel
11b	Hex Nut	6	304 Stainless Steel
11c	Washer	6	304 Stainless Steel
12	Nut	1	PP covered 400 SS
13	Stopper Nut	1	Zinc plated steel
14	Spindle Stopper	1	304 Stainless Steel
15▲	O-Ring A	1	EPDM, FPM (Viton®)
16▲	O-Ring B	1	EPDM, FPM (Viton®)
17▲	V Packing	3	EPDM, FPM (Viton®)
18	Lock Washer A	1	304 Stainless Steel
19	Lock Washer B	1	304 Stainless Steel

## DIMENSIONS INCHES

Size	D <sub>1</sub>	D <sub>2</sub>	C	n	e	D <sub>3</sub>	L	H <sub>MAX</sub>	t	NET WEIGHTS		WORKING PRESSURES PSI C <sub>v</sub> VALVES	
										KG	LB.	0-50°C 32-122°F	USGPM @ 1 PSI Pressure Drop
1-1/2"	1.57	5.00	3.88	4	0.63	6.30	6.69	11.6	0.67	2.4	5.4	150	130
2"	1.97	6.00	4.75	4	0.75	6.30	7.48	12.9	0.79	3.2	7.0	150	180
2-1/2"	2.56	7.00	5.50	4	0.75	7.30	7.87	14.6	0.83	3.1	6.9	150	415
3"	3.07	7.50	6.00	4	0.75	7.30	8.66	16.5	0.87	5.0	11.0	150	470
4"	3.94	9.00	7.50	8	0.75	8.39	9.84	19.4	0.87	6.8	14.9	100	690
6"	5.91	11.00	9.50	8	0.87	10.51	11.42	28.2	0.98	11.4	25.0	75	1,400
8"	7.87	13.50	11.75	8	0.87	13.98	14.76	35.8	1.14	13.9	30.7	75	2,900

Max. Temp. 60°C (140°F)

## SAMPLE SPECIFICATION

- All plastic gate valves sizes 1-1/2" to 8" for PVC, PE or PP piping will be Chemline GT Series with one-piece moulded Polypropylene (PP) body and PP disc.
- Valves will be OS&Y (outside yolk and spindle) type with rising stainless steel spindle.
- Elastomer seals will be EPDM or FKM (Viton®).
- Flanged ends shall be ANSI Class 150.

## ORDERING EXAMPLE

Chemline GT Series Gate Valves		GT	B	060	E	F
Body B – PP						
Size	015 – 1-1/2"	020 – 2"	025 – 2-1/2"	030 – 3"		
	040 – 4"	060 – 6"	080 – 8"			
Seals	E – EPDM		V – FPM (Viton®)			
Ends	F – Flanged					

Example: Chemline GT Gate Valve, PP body, 6", with EPDM seals, flanged ends

## VACUUM RATING

- 29.9 inches mercury

## AVAILABLE ACCESSORIES

- Low Torque Flange Gaskets
- Valve Tags
- Hand Wheel Lockout