

GB Series Globe Valves



SERIES: GB

SIZES: 1/2" to 2"

ENDS: Threaded, Socket¹ or Flanged

SEALS: EPDM or FPM (Viton®)

The Chemline **GB Series** Globe Valve is an economical throttling valve. It is often used for balancing flow in piping systems. The tapered disc and multi-turn design makes this valve a better choice for flow control than ball valves and other valve types.

Features

An Economical Throttling Valve

Slow Closing

- Prevents water hammer in PVC piping

Solid, One-Piece Moulded Body

- Strong enough for installation in metal piping

Choice of Body Materials

- PVC or CPVC
- Applicable in many aggressive and higher temperature chemical services



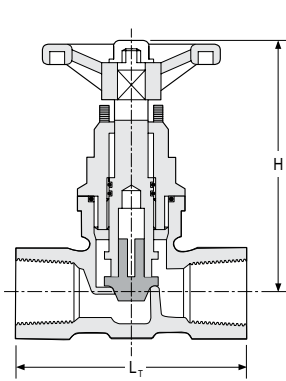
Factory Flanged



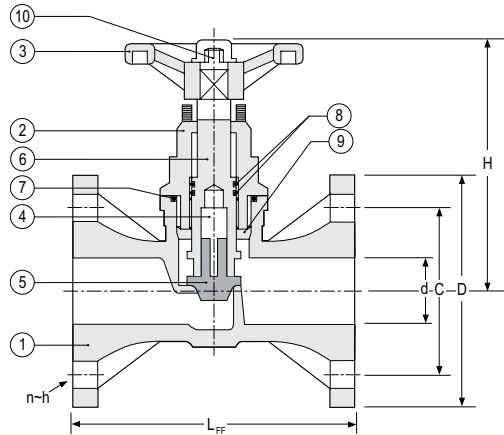
Threaded Body

¹ Socket ends are available custom basis

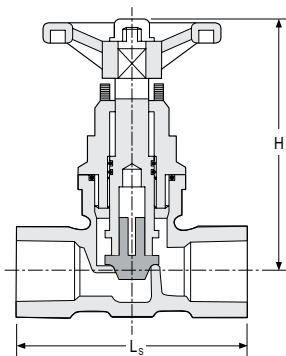
GB Series Globe Valves



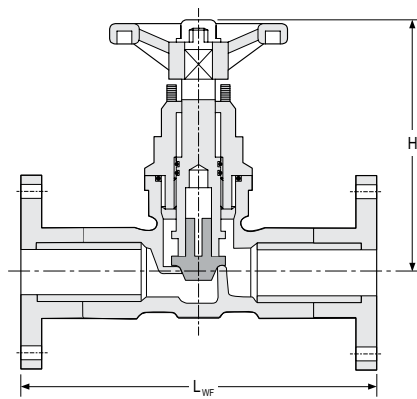
Threaded



Factory Flanged
(on request)



Socket



Welded Flanged
(standard)

PARTS

▲ Recommended Spare Parts

No.	Part	Pcs.	Materials
1	Body	1	PVC, CPVC
2	Bonnet	1	PVC, CPVC
3	Handwheel	1	PP
4	Stem	1	PVC, CPVC
5	Disc ¹	1	PP
6	Gland	1	PVC, CPVC
7▲	Bonnet O-Ring	1	EPDM, FPM (Viton®)
8▲	Stem O-Ring	2	EPDM, FPM (Viton®)
9	Disc Retainer	1	PP
10	Nut	1	PP

¹ PVC or CPVC discs for threaded valves, PP for factory flanged valves

DIMENSIONS INCHES

Cv VALUES

WEIGHTS LBS.

Size	d	L _T /L _S	L _{FF}	L _{WF} ²	D	C	n	h	H	USGPM Flow at 1 psi ΔP	PVC Thd/Soc	CPVC Thd/Soc
1/2"	0.67	2.76	3.35	4.9	3.50	2.38	4	0.63	4.84	4.1	0.6	0.8
3/4"	0.87	3.15	3.74	5.5	3.88	2.75	4	0.63	5.51	6.4	0.7	1.0
1"	1.06	3.74	4.33	6.4	4.25	3.12	4	0.63	5.71	9.7	0.9	1.3
1-1/4"	1.34	4.72	5.28	7.5	4.62	3.50	4	0.63	6.50	18.0	1.6	2.3
1-1/2"	1.65	5.20	6.18	8.5	5.00	3.88	4	0.63	7.48	22.0	2.4	3.4
2"	2.13	6.61	7.20	10.1	6.00	4.75	4	0.75	9.72	29.0	4.7	6.7

²Welded flanged valves are solvent cemented. L_{WF} dimension may vary. Consult Chemline at time of ordering.

WORKING PRESSURES PSI

Size	PVC			CPVC			
	0 to 20°C 32 to 68°F	40°C 104°F	50°C 122°F	0 to 20°C 32 to 68°F	40°C 104°F	80°C 176°F	90°C 194°F
1/2" to 2"	150	150	113	150	150	90	45

Temperature Ranges: PVC 0 to 60°C (32 to 140°F), CPVC 0 to 90°C (32 to 194°F)

ORDERING EXAMPLE

Chemline GB Series Globe Valves		GB	A	015	E	T
Body Material	A – PVC	C – CPVC				
Size	005 – 1/2"	007 – 3/4"	010 – 1"			
	012 – 1-1/4"	015 – 1-1/2"	020 – 2"			
Seals	E – EPDM	V – FPM (Viton®)				
Ends	T – Threaded	F – Welded Flanged (standard)	FF – Factory Flanged (on request)			

OPTIONS & ACCESSORIES

- Socket ends
- Valve Tags
- Handwheel Lockouts
- Low Torque Flange Gaskets

Example: Chemline GB Series Globe Valve, PVC, 1-1/2", EPDM seals, threaded ends

GB Series.DS.06.29.23