

## Pressure switch

### Type DV7.33

With one adjustable change-over switch

#### Functional principle

Piston type **hydro-mechanical** pressure switch with one change-over switch, easily adjustable over the entire pressure range, with scale for presetting of the pressure switching point. 7 pressure ranges for the optimal adaptation to any operating pressure.

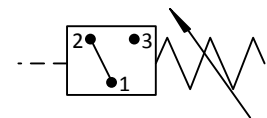
#### Features

- Designed for rough operating conditions
- Insensitive to hydraulic overloads
- Specially developed piston seal
- Housing made of anodized aluminium
- Degree of protection IP 65
- Instrument plug according DIN 43650
- Rotatable under pressure around the longitudinal axis
- Very high operational safety
- Insensitive to EMV and no power supply is necessary



#### Damping

For the protection of the pressure switch we recommend the installation of a damping element as for example a throttle screw with double fitting according to the table below.



#### Technical specifications

Hydraulic fluid	Mineral oil according to DIN 51524 (other media on request)
Temperature range Medium	-20 to 80 °C
Ambient temperature range	-30 to 50 °C
Viscosity range	5 to 400 mm <sup>2</sup> /s
DIN appliance plug connection (3P + GND)	According to EN 175301-803
Mounting position	Arbitrarily
Appliance plug	Rotatable about 3 x 90°
Switching hysteresis of the scale end value	2 - 10%
Repeat accuracy of the scale value	1%
Degree of protection	IP 65
Class of insulation	I
Accuracy class	4.0
Materials	Housing: Aluminium anodized

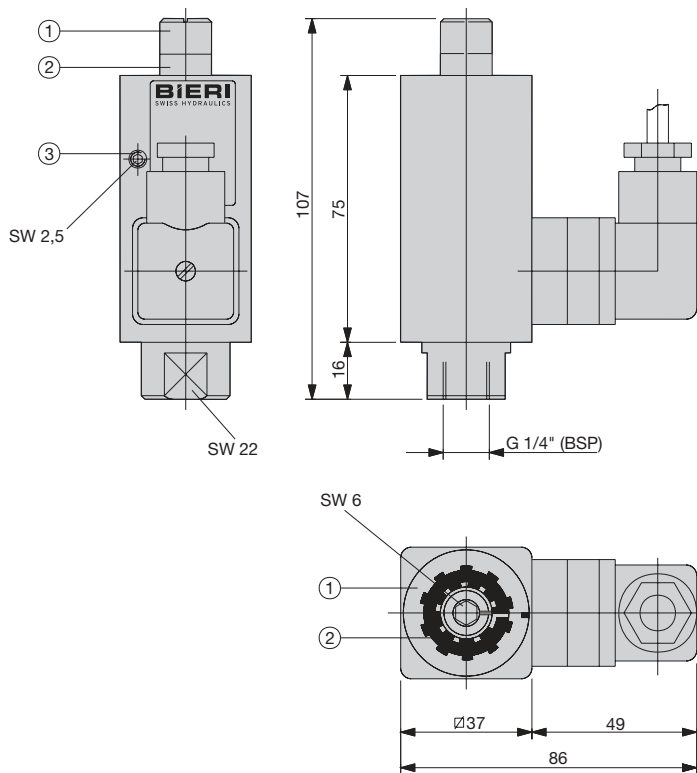
**Type DV7.33 - With one adjustable change-over switch**

**Product information**

Double fitting G 1/4" - G 1/4"	Double fitting G 1/2" - G 1/4"
-----------------------------------	-----------------------------------

Type	Part no.	Pressure [bar]	Overload max. [bar]	Part no.	Throttle screw		Throttle screw mm
					mm	Part no.	
DV7.	60.33006	60	130	3658044	0.5	3688099	0.5
DV7.	100.33010	100	360	3658055	0.5	3688099	0.5
DV7.	180.33018	180	360	3665354	0.5	3688099	0.5
DV7.	250.33025	250	500	3658058	0.5	3688099	0.5
DV7.	400.33040	400	800	3665378	0.2	3688087	0.2
DV7.	600.33060	600	1200	3665379	0.2	3688087	0.2
DV7.	1000.33100	1000	1200	3641450	0.2	3688087	0.2

**Dimension drawing**



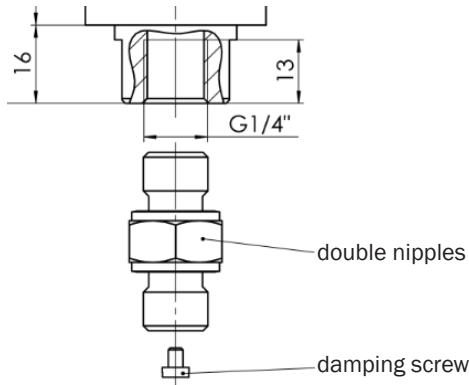
**Setting of the switching point**

- (1) Bright scale-/spindle part
- (2) Dark scale-/spindle part
- (3) Spindle locking
  - Loosen the spindle locking (3)
  - Combine the dark scale part (2) with the dark spindle part (2) for lower pressure setting and the bright scale part (1) with the bright spindle part (1) for upper pressure setting
  - Tighten the spindle locking (3)



Type DV7.33 - With one adjustable change-over switch

## Hydraulic connection



## Changeover contact switch

### Contacts

Material switch contacts	Pure silver (Ag 999)
--------------------------	----------------------

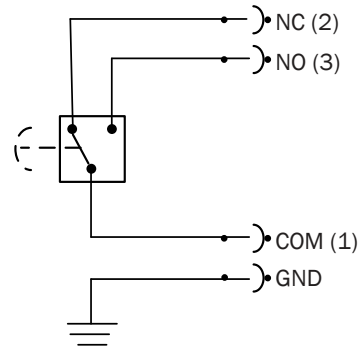
### electrical switching capacity

According to	EN IEC 60947-5-1 : 2004 + A1 : 09
AC-15	2 A / 125 V... 250 V
DC-13	2 A / 30 V (ind.)
DC-12	4 A / 30 V (ohm)

ENEC	250 VAC 10 (3) A, 1E4 A
UL/CSA	250 VAC 10.1 A

## Cable plug according to DIN EN 175301 - 803

### PIN assignment of the connector



### General information

Connecting lead - Ø	6.00 - 8.00 mm
Connection cross section max.	1.5 mm <sup>2</sup>
Position ground contact	H12
Material connector casing	PA6 black
Material flat gasket	NBR
Material plug contacts	Silver (Ag)
Cable gland	PG 9
Outlets	3 poles + GND

