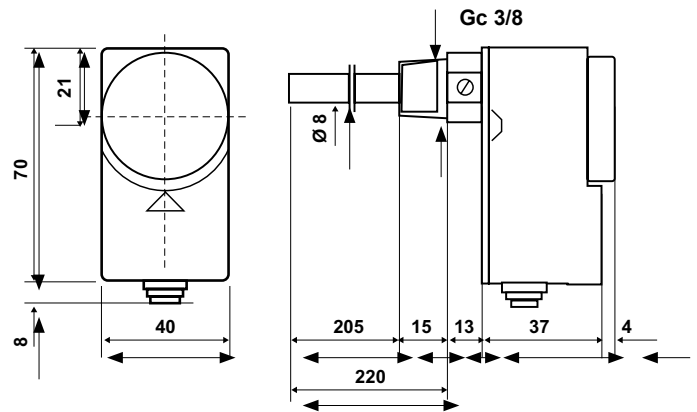


Control thermostats suitable for heating systems, bathrooms, drying boxes, etc.



Dimensions (mm)



	Temperature range °C	Differential K	Calibration accuracy °C	Admissible body temperature °C	Protection level
C08A	0 ÷ 110	6 ± 1	± 3	120	IP40
C08B	90 ÷ 200	6 ± 2	± 3	120	IP40

*The differential is subtracted from the range value. The differential values refer to a thermal gradient of 1K/hour in liquid and 4K/hour in air.

ELECTRICAL FEATURES

Two directions microswitch of instant action with AGcd0 contacts.

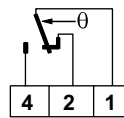
Contact parameters in compliance with EN 60730-1: 15(6) A 250V~ 50Hz.

Parameters in compliance with EN 60947-5-1:

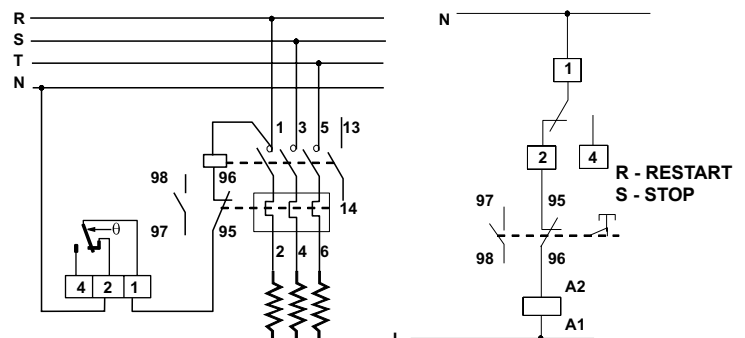
Nominal insulation voltage: U_i 380V~.

Nominal continuous current: I_{th} 15A.

Nominal operating current I_e :	220V~	250V~	380V~
Resistive load	AC-12 -	15A	10A
Inductive load	AC-15 -	2,5A	1,5A
Direct current	DC-13 0,2A	-	-



EXAMPLE OF ELECTRICAL CONNECTION



STANDARDS AND CERTIFICATES

Compliance with standards EN 60947-5-1, EN 60730-1.

INSTALLATION

Immersion mounting with threaded brass sheath with connection GC 3/8-PN10 (included in the package).
Is required Gc 1/2" sheath, code G25.

FEATURES

Bimetal (invar-brass) sensing element.
Brass protection sheath with connection Gc 3/8- PN10.
Base, cover and knob in shock-proof self-extinguishing thermoplastic material V0.
Electrical connection output with PVC cable gland.
The storage and transport temperature: $-35 \div 120^{\circ}\text{C}$.
Unit weight: 0,26 Kg.

OPERATION

When the temperature increases: 1-2 are opening, 1-4 are closing.
Bimetal operation.

ACCESSORIES



303298LA
Cable gland G1/2 for connection output
in shock-proof self-extinguishing ther-
moplastic material V0.



G25
Copper sheath GC 1/2 PN10 bar, length
220 mm, Ø 8mm.