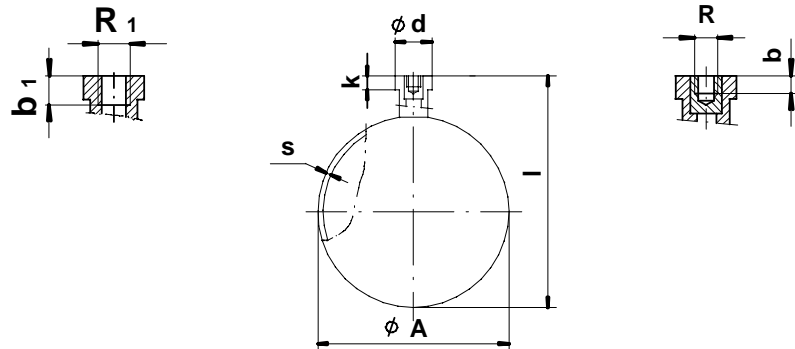


SPHERICAL POLYTHENE BUOY



DIMENSIONS mm							MASS (weight) [kg]	MAX. push water [N / kgf]	MAX. pressure with Hermetic Sealing of junction [bar]
BUOY		CONNECTION - Fixing							
ØA	l	s	R	k	b	Ø d	G	E	p
90	108	1,75	M6 x 1 W 3/16	7	6	16	0,049	3,511/ 0,357	3,1
110	130	2,45	M6 x 1	7	7	17	0,092	5,378/ 0,548	3,7
130	153	3,10	M6 x 1 M7 x 1	8	7,5	19	0,152	9,514/ 0,969	3,8
160	191	2,85	M8 x 1 M8 x 1,25	11	8,5	21	0,264	22,596/ 2,303	2,7
200	229	3,2	M8 x 1,25	8	6,5	26	0,396	38,369/3,911	2,6
			M9 x 1						
230	264	3,6	M9 x 1	10	9	26	0'582	59,135/6,028	2,5

For maximum temperatura at 20º and hermetic sealing of junction.

Feature:

Made by blow (PE)super standard polythene of low density charged with 33 ÷ 40% Omyalene® 102M granulated. Polythene is the trademark of Polyethylene. Omyalene® 102M is a special carbonate plastic load, suitable for feeding.

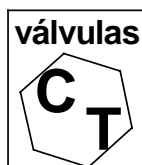
Connection : Threaded, female thread in a metallic junction of insert brass on support buoy. On request stainless steel junction or thread R1 directly on polythene support.

Finishing : Lustrous

Colour: White ivory

Working temperature: "Válvulas CT" recommend not to exceed 40º C.

Nom-binding information sheet and may be modified without notice.



Rda. Shimizu nº 2, Nave 4
Pol. Ind. Can Torrella
08 233 Vacarisses - Barcelona
Tel. 93 828 04 44 - Fax. 93 828 04 50
E- mail: info@valvulasct.com
Comercial@valvulasct.com
www.valvulasct.com