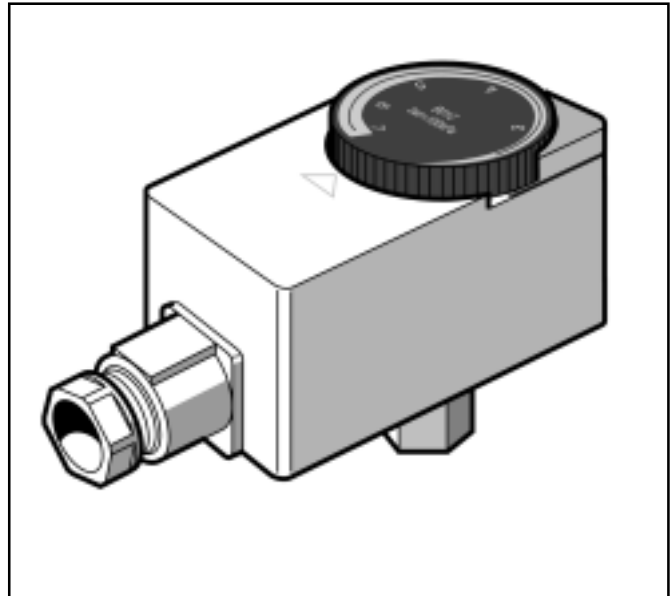


Pressure switch with Dial**BO1****FEATURES**

- 0.7 - 15bar adjustment range
- Easy to set dial with locking ring
- 1/4" BSP female thread
- All stainless steel wetted parts
- SPDT (C/O) contacts
- 250Vac/10A res (2.5A ind)

- G 1/4" female connection
- Base, cover & knob in VO self extinguishing, antishock thermoplastic material

**USE**

Pressure controls for fluids and inert gas, suitable for compressors, autoclaves, control of lubrication circuits, steam boilers, etc. If used as control pressostats it is necessary to verify that the max. pressure does not go over max. sensitive element pressure

Type	Range bar	Differential bar	Max sensitive element pressure bar	Max sensitive fluids pressure bar	Maximum pressostat body temperature °C	Protection	Weight each Kg
BO1A	0.7 to 3	0.3 to 0.5	6	120	-35 to 80	IP 40	0.15
BO1B	2 to 5.5	0.5 to 0.7	7	120	-35 to 80	IP 40	0.15
BO1C	3 to 7	0.5 to 0.7	9	120	-35 to 80	IP 40	0.15
BO1D	4 to 15	0.8 to 1.2	18	120	-35 to 80	IP 40	0.15
EXECUTION WITH INTERNAL REGULATION WITH POSSIBILITY TO THE SEAL ENCLOSURE AFTER CALIBRATION							
BO1ARI	0.7 to 3	0.3 to 0.5	6	120	-35 to 80	IP 40	0.14
BO1BRI	2 to 5.5	0.5 to 0.7	7	120	-35 to 80	IP 40	0.14
BO1CRI	3 to 7	0.5 to 0.7	9	120	-35 to 80	IP 40	0.14
BO1DRI	4 to 15	0.8 to 1.2	18	120	-35 to 80	IP 40	0.14

PRESSURE-VACUUM-LEVEL LTD

Unit 9, Lexden Lodge Industrial Estate, Jarvis Brook,
Crowborough, East Sussex, TN6 2NQ U.K.

Tel: +44(0)1892 66 44 99 Fax: +44(0)1892 66 36 90

Web: www.pvl.co.uk Email: info@pvl.co.uk

