

# AR Series Air Release Valves



PVC

SERIES: AR

SIZES: 1/2" to 4"

ENDS: Socket, Threaded or Flanged

SEALS: EPDM, FKM (Viton®)



The Chemline **AR Series** Air Release Valve allow gases to escape from **unpressurized** pipe lines. It must be installed vertically at the highest point in the piping system with the "Air" arrow up. As the unpressurized air vents, liquid rises to the float, which lifts the float up against the seat, holding liquid pressure. The float will not release until the pressure on the inlet side of the valve drops to the outlet pressure of the valve (normally atmospheric).

## Features

### Full Size Range

- 1/2" to 4"

### Large Flow Capacities

- Valves have full port liquid capacities, so for air flow they may be chosen several sizes smaller than the liquid pipeline

### Outlet Cap Available

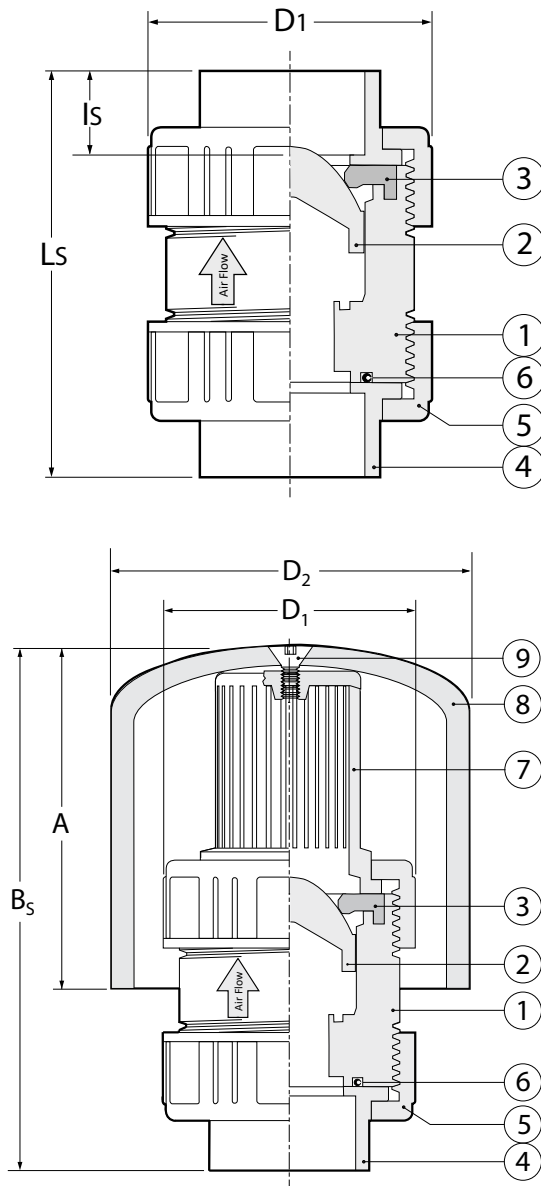
- For non-hazardous fluids, the optional removeable PE outlet cap prevents tampering with the union nut. Eliminates possible splashing during quick closure and covers the open end.
- For hazardous fluids, a 3 foot pipe should be installed on the outlet side or the outlet should be piped to a containment area



With Outlet Cap

1/4" valve is fabricated from a 3" valve

# AR Series Air Release Valves



**With Outlet Cap**  
Valves shown in closed position

## PARTS

▲ Recommended Spare Parts

No.	Part	Pcs.	Materials
1	Body	1	PVC
2	Float	1	PVC
3▲	Seat Gasket	1	EPDM, FKM (Viton®)
4	End Connector	2	PVC
5	Union Nut	2	PVC
6▲	Face O-Ring	1	EPDM, FKM (Viton®)
7	Foot Valve Screen	1	PP
8▲	Outlet Cap	1	PE
9▲	Countersunk Bolt	1	304 SS

## WORKING PRESSURES PSI

Size	20°C 68°F	30°C 94°F	40°C 105°F	50°C 120°F	60°C 140°F
1/2" to 2"	150	150	150	90	35
2-1/2" to 4"	150	120	90	45	15

Maximum Temperature: 60°C (140°F)

## ORDERING EXAMPLE

<b>Chemline AR Series AR Air Release Valves</b>	<b>A</b>	<b>020</b>	<b>E</b>	<b>S</b>
Body Material	A – PVC			
Size	005 – 1/2"	007 – 3/4"	010 – 1"	012 – 1-1/4"
	015 – 1-1/2"	020 – 2"	025 – 2-1/2"	030 – 3"
		040 – 4" <sup>1</sup>		
Seals	E – EPDM		V – FKM (Viton®)	
Ends	S – Socket		T – Threaded	F – Flanged

**Example:** Chemline AR Series Air Release Valve, PVC, 2", with EPDM seals, socket ends.

<sup>1</sup> 4" valve is fabricated from a 3" valve.

## DIMENSIONS INCHES

Size	A	D <sub>1</sub>	D <sub>2</sub>	Socket			Threaded			Without Cap	With Cap	Cv	psi
				L <sub>S</sub>	B <sub>S</sub>	L <sub>S</sub>	L <sub>T</sub>	B <sub>T</sub>	I <sub>T</sub>				
1/2"	3.27	1.97	2.48	3.54	4.88	0.89	3.08	4.61	0.59	0.17	0.34	5.0	0.04
3/4"	3.58	2.32	2.95	3.98	5.43	1.00	3.58	5.43	0.75	0.26	0.51	8.0	0.04
1"	4.21	2.68	3.54	4.38	6.10	1.13	4.17	6.10	0.86	0.39	0.81	13.0	0.04
1-1/4"	4.88	3.15	4.33	5.04	6.85	1.26	4.76	6.77	0.98	0.57	1.35	23.0	0.07
1-1/2"	5.37	3.70	4.92	5.67	7.99	1.38	5.63	7.60	1.19	0.88	1.85	39.0	0.07
2"	5.67	4.53	5.51	6.51	9.06	1.50	6.65	8.66	1.47	1.54	2.85	66.0	0.07
2-1/2"	7.15	5.71	7.87	7.72	12.40	1.75	8.96	11.89	1.74	4.96	8.33	136.0	0.16
3" <sup>2</sup>	7.15	6.61	7.87	9.13	11.69	2.00	9.49	11.10	1.97	4.41	7.78	164.0	0.16

<sup>2</sup> 4" valve is fabricated from a 3" valve.

## WEIGHTS LB. Cv VALUES CRACKING PRESSURE

AR Series.DS.01.17.24