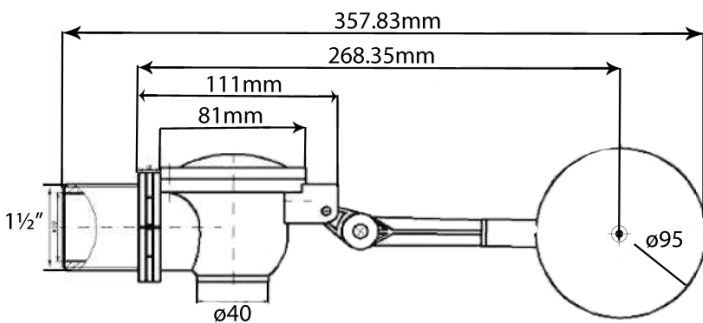


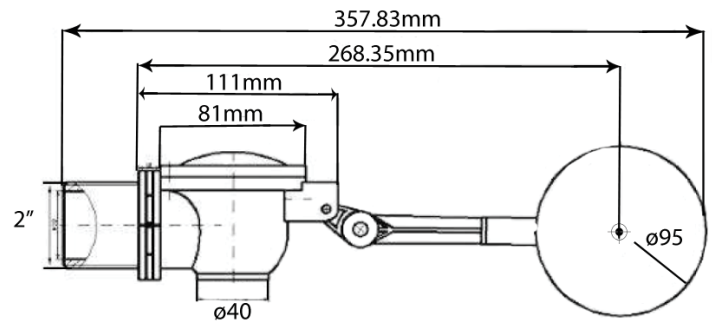
[AQT-AC 40/50/65] Float Valve

Auto-lock valve theory design. Flow rate is much quicker than normal brass and stainless float valves. Easy to maintain & the covers can be dismantled for cleaning. Anti-corrosion, rust proof & can even be used in sea water. Widely used in water tanks and other water supply equipment such as aquatic products agriculture equipments & cooling towers etc. The adjustable arm can be used in the vertical or horizontal position.

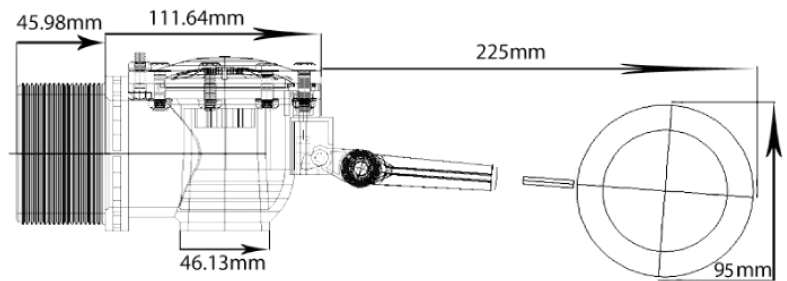
AQT-40AC



AQT-50AC



AQT-65AC



Model	Thread Size	Valve Material	Ball Material	Ball Diameter	Plug Material	Pressure	Water Temp	Flow Rate	Length (max)
AQT-40AC	1 1/2" BSP	ABS	PE	95mm	NR	0.10-1.2 MPa	-35°C to +75°C	190 (P=0.6 Mpa)	37.70 cm
AQT-50AC	2" BSP	ABS	PE	95mm	NR	0.10-1.2 MPa	-35°C to +75°C	220 (P=0.6 Mpa)	37.70 cm
AQT-65AC	2 1/2" BSP	ABS	PE	95mm	NR	0.10-1.2 MPa	-35°C to +75°C	285 (P=0.6 Mpa)	38 cm