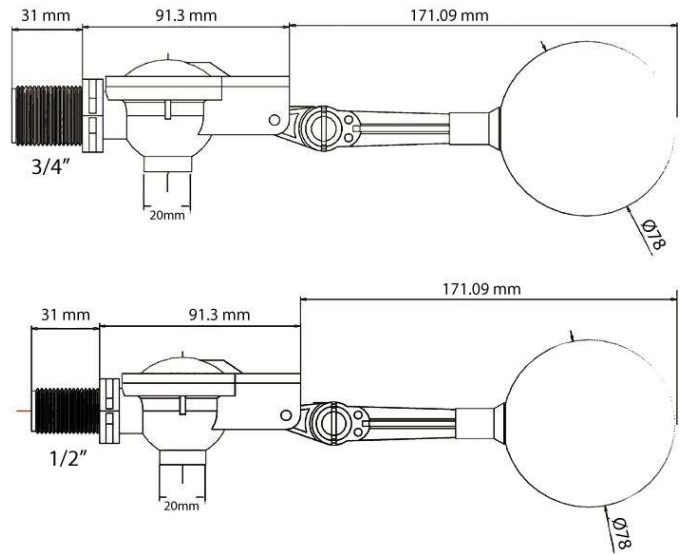


[AQT20/25 CY]

Float Valve

Quick stop design, eliminates water hammer. All food grade material. Higher flow rate than brass or stainless steel float valves. Anti corrosion rust proof, PV resistant, suitable for sea water. Widely used on water tanks and water troughs & other water supply equipments such as aquatic products, fountain products, agriculture equipments cooling towers etc. Adjustable arm can be used in the vertical or horizon water.



Model	Thread Size	Valve Material	Ball Material	Ball Diameter	Plug Material	Pressure	Water. Temp	Flow Rate	Length (max)
AQT20CY	3/4" BSP	ABS	PE	85mm	NR	0.05-1.2 MPa	-35°C to +75°C	130 (P=0.6 Mpa)	25.50cm
AQT25CY	1" BSP	ABS	PE	85mm	NR	0.05-1.2 MPa	-35°C to +75°C	130 (P=0.6 Mpa)	25.50cm