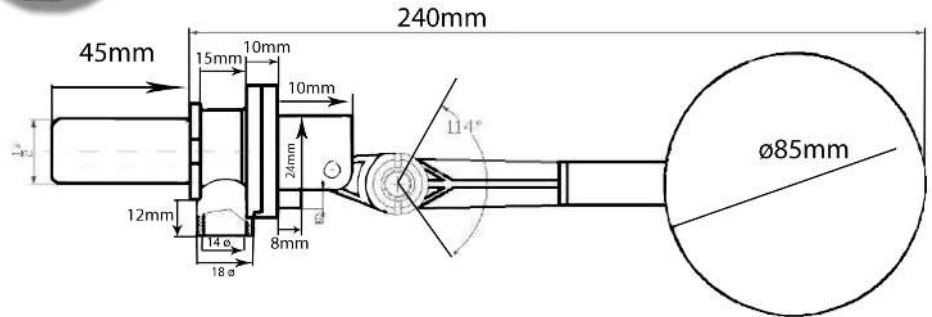


[AQT-15/20 B2] Float Valve

For medium sized water tanks & water troughs. Solves the problem of high cost by using a brass and stainless steel valve. Anti corrosion, rust-proof and UV resistant. Larger flow rate than the AQT15E and AQT20E.



Model	Thread Size	Valve Material	Ball Material	Ball Diameter	Plug Material	Pressure	Water Temp	Flow Rate	Length (max)
AQT15B-2	1/2" BSP	ABS	PE	85mm	NR	0.05-1.2 MPa	-35°C to +75°C	60 (P=0.6 Mpa)	28.50 cm
AQT20B-2	3/4" BSP	ABS	PE	85 mm	NR	0.05-1.2 MPa	-35°C to +75°C	80 (P=0.6 Mpa)	28.50 cm