

[AQT12A/ Mini]

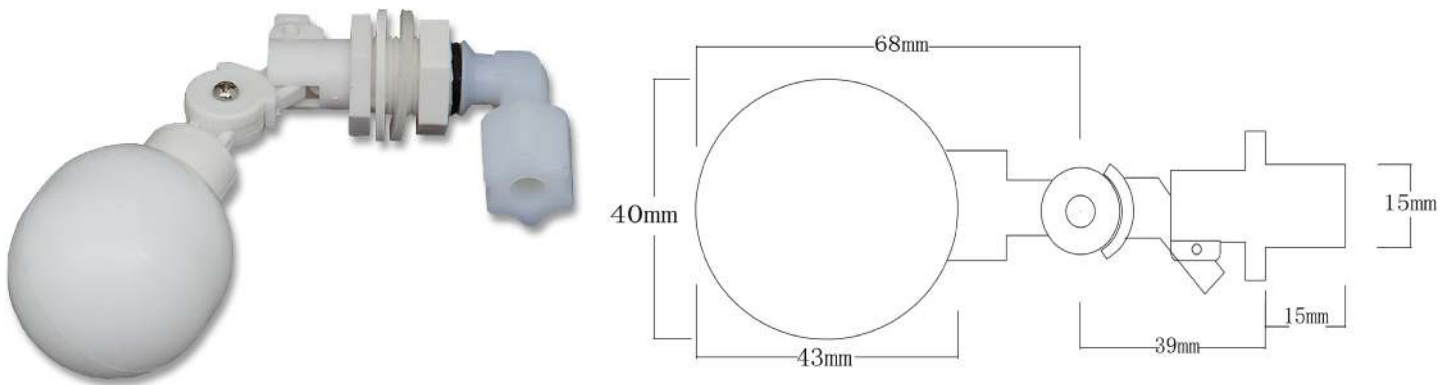
Mini Float Valve

The AQT-Mini float valves are one of the smallest float valves in the world. They can be easily used in small water supply equipment which has limited room for an application. They can also be connected with a special adaptor for rubber pipes which is included. Internal thread 1/4" BSP external thread 1/2" BSP.

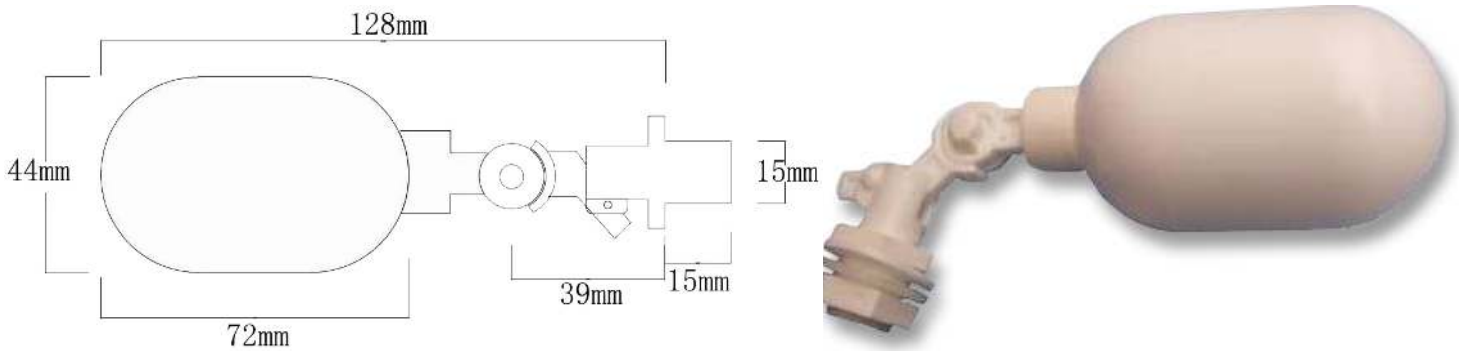
The AQT 12A can also have the special adapter for rubber piper but must be ordered seperately. As standard internal thread 1/4" BSP external thread 3/8" BSP.

Can be fitted with horizontal or vertical inlet.

AQT- Mini



AQT- 12A



| Model | Thread Size | Valve Material | Ball Material | Ball Diameter | Plug Material | Pressure | Water Temp | Flow Rate | Length (max) |
|----------|-------------|----------------|---------------|---------------|---------------|----------|------------|-----------|--------------|
| AQT12A | 3/8" BSP | POM | POM | 69mm | NR | 0.8MPa | 80°C | 5.0 L.P | 12.0cm |
| AQT-MINI | 3/8" BSP | POM | POM | 38mm | NR | 0.6MPa | 80°C | 5.0 L.P | 7.5cm |

As standard internal thread 1/4" BSP external thread 3/8" BSP.