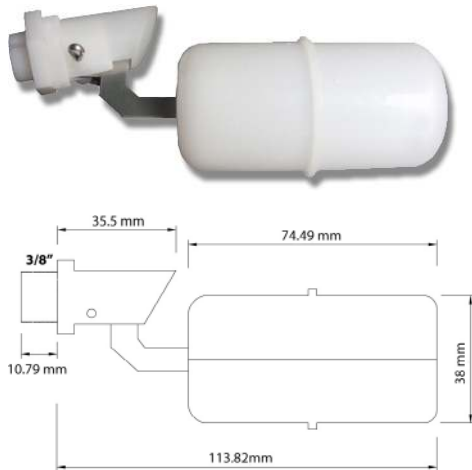


# [AQT-1/2 (L-V)] Float Valve

These small float valves are specially used in small water supply equipment such as purifiers. The material used can meet food grade standards.

Can be fitted with horizontal or vertical inlet.

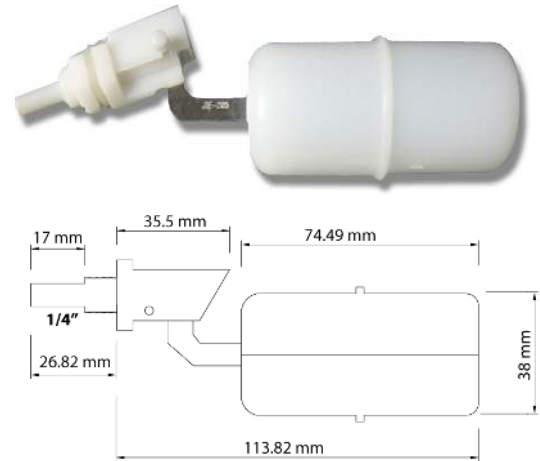
**AQT1-L (Horizontal)**



**AQT1-V (Vertical)**



**AQT2-L (Horizontal)**



Model	Thread Size	Valve Material	Ball Material	Plug Material	Pressure	Water. Temp	Flow Rate	Length (max)
AQT1-L	Int 1/4" BSP Ext 3/8" BSP	POM	PP	SR	0.02-0.6 MPa	-30°C to +75°C	1.8 (P=0.6 Mpa)	153 mm
AQT1-V	1/4" BSP	POM	PP	SR	0.02-0.6 MPa	-30°C to +75°C	1.8 (P=0.6 Mpa)	101 mm
AQT2-L	1/4" BSP	POM	PP	SR	0.02-0.6 MPa	-30°C to +75°C	1.8 (P=0.6 Mpa)	153 mm