

Technical AB20

PDF Published January 27, 2021

β -Polypropylene Piping System

Pipe, Fittings & Valves



CHEMLINE  **PLASTICS**
SUPERIOR FLOW SOLUTIONS

ISO 9001:2015 Certified

Page

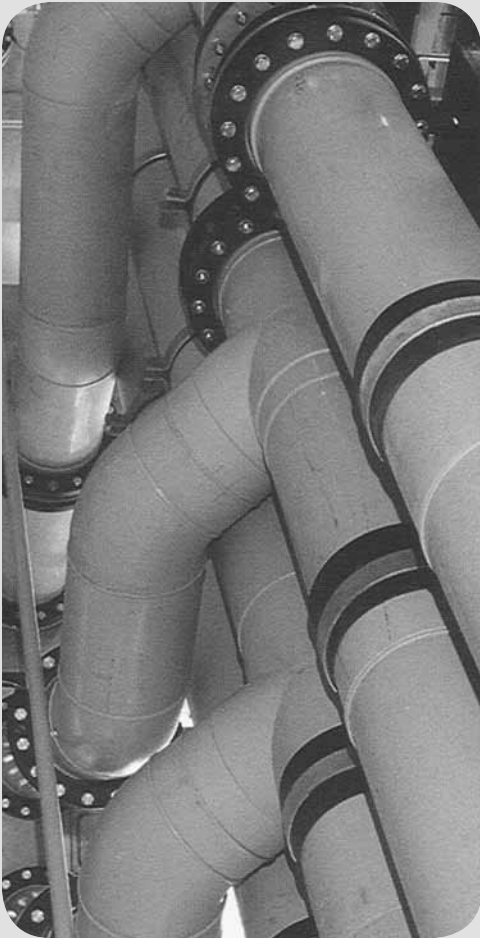
Product Index	2-3
Butt Fusion Pipe & Fittings: SDR 11	4-30
Electro Fusion Couplings: SDR 11	31
Butt Fusion Pipe & Fittings: SDR 33	32-38
Socket Fusion Pipe & Fittings: SDR 11	39-47
Valves	48-49

©Chemline Plastics Limited 2021
Chemline is a registered trade mark of Chemline Plastics Limited



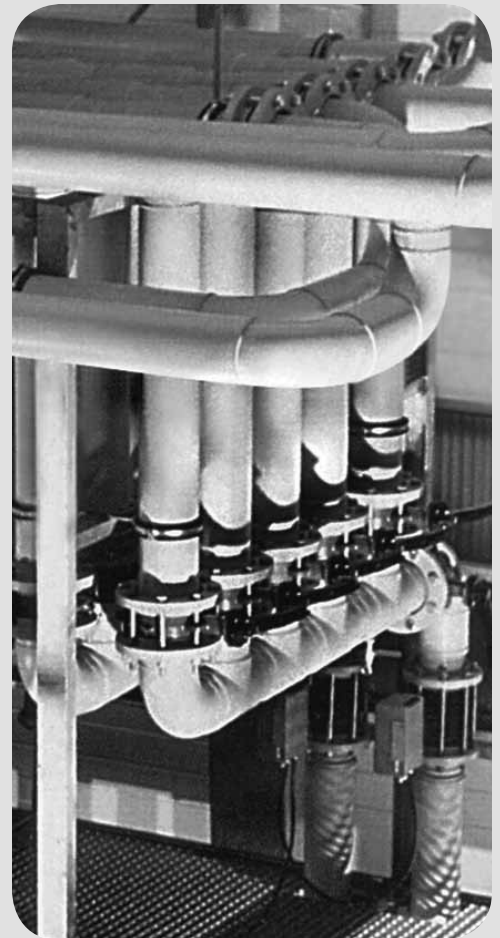
55 Guardsman Road
Thornhill, Ontario
Canada, L3T 6L2

1.800.930.CHEM (2436)
t. 905.889.7890
f. 905.889.8553
request@chemline.com
www.chemline.com



Product	Product Code	page
Butt Fusion Pipe & Fittings: SDR 11		
Pipe	705	4
90° Elbows – Short Spigot	001	5
90° Elbows – Long Spigot	068	5
45° Elbows – Long Spigot	060	6
45° Elbows – Short Spigot	001.2	6
Tees – Short Spigot	006	7
Tees – Long Spigot	066	8
Reducing Tees – Long Spigot	065	9
Concentric Reducers – Long Spigot	067	10
Concentric Reducers – Short Spigot	009	11-12
Concentric Reducers – Short Spigot	007	13
Eccentric Reducers – Long Spigot	069	14
End Caps – Long Spigot	064	15
Female Threaded Adaptors – FNPT – Long Spigot	032.1	16
Male Threaded Adaptors – MNPT – Long Spigot	033.1	16
ANSI Stub Flanges – Short Spigot	012.1	17
Chamfered Stub Flanges – Short Spigot	012.9	18
Sanitary Adaptors	306	18
Unions – Short Spigot	024	19
Restraint Fittings	301	19
Laterals	Y	20
Laterals with 1/8 Bend	YB	20
P-Traps	PT	21
Cleanouts with Plug	CO	21
Reducing Laterals	YR	22
Reducing Laterals with 1/8 Bend	YRB	23
Reducing Sanitary Tees	RST	24
Sanitary Tees	ST	25
Instrumentation Fittings	303	26
Probe Adaptors	BA	27
Sanitary Run Tees	SRT	28
Threaded Run Tees	TRT	29
Electro-Fusion Couplings: SDR 11	173	30

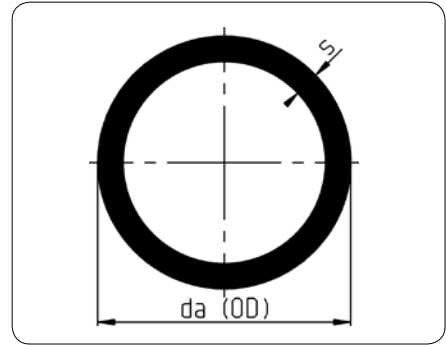
Product	Product Code	page
Butt Fusion Pipe & Fittings: SDR 33		
Pipe	705	31
90° Elbows – Short Spigot	001	32
Tees – Short Spigot	006	33
Concentric Reducers – Short Spigot	007	34
Laterals	Y	35
Laterals with 1/8 Bend	YB	35
P-Traps	PT	36
Cleanouts with Plug	CO	36
Reducing Laterals	YR	37
Reducing Laterals with 1/8 Bend	YRB	37
Reducing Sanitary Tees	RST	38
Sanitary Tees	ST	38
Socket Fusion Pipe & Fittings: SDR 11		
Pipe	705	39
Socket Couplings	053	40
90° Elbows	051	40
45° Elbows	050	41
Tees	056	42
Reducing Tees	055	43
Concentric Reducers	057	44
End Caps	054	45
Female Threaded Adaptors – FNPT	034.1	46
Male Threaded Adaptors – MNPT	035.1	46
ANSI Flange Adaptors	052.1	47
Unions	024.1	47
Valves		
T-Diaphragm Valves	343	48
Diaphragm Valves	342.15	49
Check Valves with Spring	336.13	49
Accessories		
ANSI Backing Rings	013	48
Pipe Clips – Snap-In Type with Spacer	348	49
Pipe Clips – Retainer Type	049	49
Pipe Clips – Low Cost Snap-In Type	CLIP	49
Pipe Clips – Low Cost Retainer Type	CLIP	49
Sanitary Joint Gasket	379	49
Sanitary Adaptor Clamp	048	49



Polypropylene Piping System



Pipe SDR 11



Pipe

Product 705

Homopolymer
Grey PPH

Tuyau

Produit 705

Homopolymère
PPH gris

da		SDR 11 / S-5 / PN 10			
mm	Nom.	s	Weight		Item No.
		mm	Poids		
			kg/m		
16	3/8"	1.8	0.08		B.705.0016.11
20	1/2"	1.9	0.14		B.705.0020.11
25	3/4"	2.3	0.19		B.705.0025.11
32	1"	2.9	0.26		B.705.0032.11
40	1-1/4"	3.7	0.41		B.705.0040.11
50	1-1/2"	4.6	0.64		B.705.0050.11
63	2"	5.8	1.01		B.705.0063.11
75	2-1/2"	6.8	1.40		B.705.0075.11
90	3"	8.2	2.02		B.705.0090.11
110	4"	10.0	3.01		B.705.0110.11
125	4-1/2"	11.4	3.89		B.705.0125.11
140	5"	12.7	4.87		B.705.0140.11
160	6"	14.6	6.38		B.705.0160.11
180	7"	16.4	8.05		B.705.0180.11
200	8"	18.2	9.92		B.705.0200.11
225	9"	20.5	12.6		B.705.0225.11
250	10"	22.7	15.5		B.705.0250.11
280	11"	25.4	19.4		B.705.0280.11
315	12"	28.6	24.6		B.705.0315.11
355	14"	32.2	31.1		B.705.0355.11
400	16"	36.4	39.6		B.705.0400.11
450	18"	40.9	50.2		B.705.0450.11
500	20"	45.5	61.9		B.705.0500.11
630	24"	57.3	103.2		B.705.0630.11

* Weights are per meter, supplied in 5 meter (16.5 ft.) lengths.

* Poids au mètre, fourni en longueurs de 5 mètres (16.5 pieds).

Polypropylene Piping System

Butt Fusion SDR 11

90° Elbows

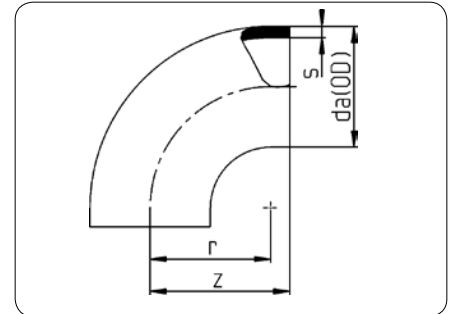
Short Spigot
Product 001

Grey PPR
Injection moulded
Butt (IR or contact) fusion

Coubes 90°

Broche Courte
Produit 001

PPR gris
Moulé à injection
Soudure Bout fusion (IR ou Contact)



da OD		SDR 11 / ISO S-5 / PN 10					Item No.
mm	Nom.	r mm	z mm	s mm	Weight Poids kg		
250	10"	265	290	22.7	7.10	B.001.0250.11	
280	11"	265	290	25.4	9.00	B.001.0280.11	
315	12"	300	340	28.6	13.70	B.001.0315.11	
355	14"	300	340	32.2	17.36	B.001.0355.11	
400	16"	300	349	36.3	21.98	B.001.0400.11	
450	18"	400	449	40.9	35.56	B.001.0450.11	
500	20"	400	449	45.4	44.46	B.001.0500.11	

90° Elbows

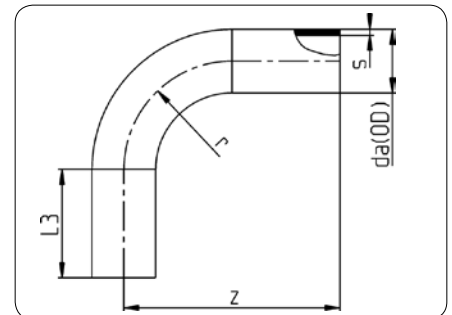
Long Spigot
Product 068

Grey PPR
Injection moulded
Butt (IR or contact) fusion or
electro-fusion

Coudes 90°

Broche Longue
Produit 068

PPR gris
Moulé à injection
Bout fusion (IR ou Contact)
ou fusion électro-douille



da OD		SDR 11 / ISO S-5 / PN 10					Item No.
mm	Nom.	r mm	L3 mm	z mm	s mm	Weight Poids kg	
20	1/2"	20	40.0	59.0	1.9	0.01	B.068.0020.11
25	3/4"	25	42.5	66.5	2.3	0.02	B.068.0025.11
32	1"	32	47.0	78.5	2.9	0.04	B.068.0032.11
40	1-1/4"	40	52.0	91.5	3.7	0.07	B.068.0040.11
50	1-1/2"	50	58.5	107.0	4.6	0.14	B.068.0050.11
63	2"	63	66.5	127.0	5.8	0.25	B.068.0063.11
75	2-1/2"	75	75.0	148.0	6.8	0.41	B.068.0075.11
90	3"	90	76.0	166.0	8.2	0.66	B.068.0090.11
110	4"	110	82.0	192.0	10.0	1.10	B.068.0110.11
125	4-1/2"	125	92.0	218.0	11.4	1.62	B.068.0125.11
140	5"	140	100.0	241.0	12.7	2.20	B.068.0140.11
160	6"	160	100.5	261.5	14.6	3.16	B.068.0160.11
180	7"	180	109.0	290.5	16.4	4.34	B.068.0180.11
200	8"	200	118.5	318.5	18.2	5.80	B.068.0200.11
225	9"	225	125.0	353.0	20.5	8.04	B.068.0225.11
250	10"	250	135.0	389.0	22.7	10.40	B.068.0250.11
280	11"	280	146.0	429.0	25.4	14.22	B.068.0280.11
315	12"	315	158.0	475.0	28.6	19.82	B.068.0315.11

Polypropylene Piping System

Butt Fusion SDR 11

45° Elbows

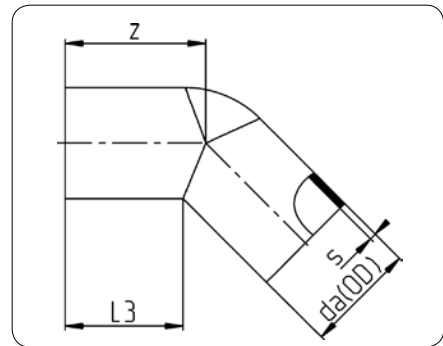
Long Spigot
Product 060

Grey PPR
Injection moulded
Butt (IR or contact) fusion or
electro-fusion

Coudes 45°

Broche Longue
Produit 060

PPR gris
Moulé à injection
Bout fusion (IR ou Contact)
ou fusion électro-douille



da		SDR 11 / ISO S-5 / PN 10				
mm	Nom.	L3	z	s	Weight	Item No.
mm	Nom.	mm	mm	mm	Poids	
					kg	
20	1/2"	39.0	44.0	1.9	0.01	B.060.0020.11
25	3/4"	42.0	48.0	2.3	0.02	B.060.0025.11
32	1"	49.0	57.0	2.9	0.03	B.060.0032.11
40	1-1/4"	53.0	63.0	3.7	0.05	B.060.0040.11
50	1-1/2"	57.0	70.0	4.6	0.09	B.060.0050.11
63	2"	64.0	80.0	5.8	0.17	B.060.0063.11
75	2-1/2"	70.0	90.0	6.8	0.26	B.060.0075.11
90	3"	82.0	104.0	8.2	0.43	B.060.0090.11
110	4"	82.0	108.0	10.0	0.66	B.060.0110.11
125	4-1/2"	99.5	132.5	11.4	1.00	B.060.0125.11
140	5"	100.0	136.0	12.7	1.38	B.060.0140.11
160	6"	116.5	156.5	14.6	2.00	B.060.0160.11
180	7"	131.5	176.5	16.4	2.84	B.060.0180.11
200	8"	120.5	170.5	18.2	3.46	B.060.0200.11
225	9"	125.5	182.5	20.5	4.60	B.060.0225.11
250	10"	160.0	217.0	22.7	6.76	B.060.0250.11
280	11"	168.0	238.0	25.4	8.94	B.060.0280.11
315	12"	177.0	256.0	28.6	12.00	B.060.0315.11

* Fabricated from moulded 90° bend (Product 001).

* Fabriqué d'un coude moulé 90° (Produit 001).

45° Elbows

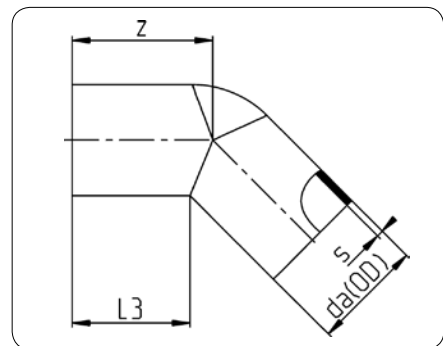
Short Spigot
Product 001.2

Grey PPR
Injection moulded
Butt (IR or contact) fusion or
electro-fusion

Coudes 45°

Broche Longue
Produit 001.2

PPR gris
Moulé à injection
Bout fusion (IR ou Contact)
ou fusion électro-douille



da		SDR 11 / ISO S-5 / PN 10				
mm	Nom.	L3	z	s	Weight	Item No.
mm	Nom.	mm	mm	mm	Poids	
					kg	
355	14"	464	424	32.2	27.4	B.001.2355.11
400	16"	424	424	36.3	34.7	B.001.2400.11
450	18"	511	466	40.9	47.8	B.001.2450.11
500	20"	511	466	45.4	59.3	B.001.2500.11

Polypropylene Piping System

Butt Fusion SDR 11

Tees

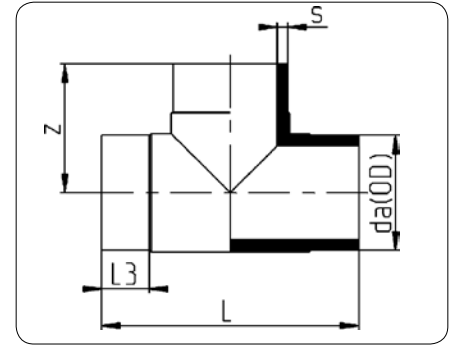
Short Spigot
Product 006

Grey PPR
Injection moulded
Butt (IR or contact) fusion or
electro-fusion

Pièces en T

Broche Courte
Produit 006

PPR gris
Moulé à injection
Bout fusion (IR ou Contact)
ou fusion électro-douille



da OD		SDR 11 / ISO S-5 / PN10					Weight Poids kg	Item No.
mm	Nom.	L mm	z mm	L3 mm	s mm			
20	1/2"	68	34.0	17.5	1.9	0.01	B.006.0020.11	
25	3/4"	80	40.0	20.5	2.3	0.02	B.006.0025.11	
32	1"	90	45.0	20.5	2.9	0.04	B.006.0032.11	
40	1-1/4"	100	50.0	20.5	3.7	0.06	B.006.0040.11	
50	1-1/2"	120	60.0	23.0	4.6	0.11	B.006.0050.11	
63	2"	144	72.0	25.0	5.8	0.22	B.006.0063.11	
75	2-1/2"	152	75.0	15.0	6.8	0.39	B.006.0075.11	
90	3"	213	105.0	38.0	8.2	0.69	B.006.0090.11	
110	4"	253	122.0	51.0	10.0	1.18	B.006.0110.11	
125	4-1-2"	280	140.0	52.0	11.4	1.70	B.006.0125.11	
140	5"	305	152.0	53.0	12.7	2.38	B.006.0140.11	
160	6"	346	173.0	57.0	14.6	3.26	B.006.0160.11	
180	7"	372	186.0	57.0	16.4	4.38	B.006.0180.11	
200	8"	405	202.5	57.0	18.2	5.92	B.006.0200.11	
225	9"	445	222.5	57.0	20.5	8.22	B.006.0225.11	
250	10"	470	235.0	72.0	22.7	10.86	B.006.0250.11	
280	11"	540	270.0	80.0	25.4	15.60	B.006.0280.11	
315	12"	550	275.0	80.0	28.6	18.92	B.006.0315.11	
355	14"	690	345.0	105.0	32.2	30.62	B.006.0355.11	
400	16"	700	355.0	103.0	36.3	37.96	B.006.0400.11	
450	18"	895	450.0	130.0	40.9	63.00	B.006.0450.11	
500	20"	896	450.0	130.0	45.4	71.00	B.006.0500.11	

Polypropylene Piping System

Butt Fusion SDR 11

Tees

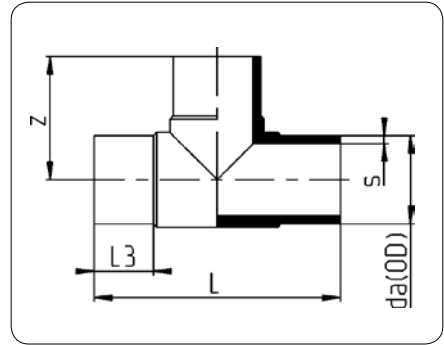
Long Spigot
Product 066

Grey PPR
Injection moulded
Butt (IR or contact) fusion or
electro-fusion

Pièces en T

Broche Longue
Produit 066

PPR gris
Moulé à injection
Bout fusion (IR ou Contact)
ou fusion électro-douille



da OD		SDR 11 / ISO S-5 / PN10					Weight Poids kg	Item No.
		L mm	z mm	L3 mm	s mm			
20	1/2"	109	57	37	1.9	0.03	B.066.0020.11	
25	3/4"	117	59	40	2.3	0.04	B.066.0025.11	
32	1"	144	71	45	2.9	0.07	B.066.0032.11	
40	1-1/4"	168	84	51	3.7	0.11	B.066.0040.11	
50	1-1/2"	189	95	57	4.6	0.19	B.066.0050.11	
63	2"	229	115	66	5.8	0.37	B.066.0063.11	
75	2-1/2"	260	131	71	6.8	0.61	B.066.0075.11	
90	3"	290	145	82	8.2	0.95	B.066.0090.11	
110	4"	320	160	86	10.0	1.52	B.066.0110.11	
125	4-1/2"	353	175	92	11.4	2.12	B.066.0125.11	
140	5"	380	190	98	12.7	2.76	B.066.0140.11	
160	6"	408	208	100	14.6	4.02	B.066.0160.11	
180	7"	528	253	138	16.4	6.66	B.066.0180.11	
200	8"	500	250	116	18.2	7.74	B.066.0200.11	
225	9"	620	310	146	20.5	10.60	B.066.0225.11	
250	10"	630	315	148	22.7	14.44	B.066.0250.11	
280	11"	694	347	160	25.4	20.32	B.066.0280.11	
315	12"	760	380	170	28.6	27.80	B.066.0315.11	

Polypropylene Piping System



Reducing Tees

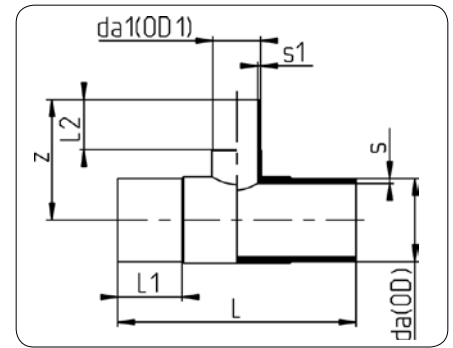
Long Spigot
Product 065

Grey PPR
Injection moulded
Butt (IR or contact) fusion or
electro-fusion

Pièces en T Réduites

Broche Longue
Produit 065

PPR gris
Moulé à injection
Bout fusion (IR ou Contact)
ou fusion électro-douille



da/da1 OD/OD1 mm	SDR 11 / ISO S-5 / PN10						Weight Poids kg	Item No.
	L mm	L1 mm	L2 mm	z mm	s mm	s1 mm		
63/50	220	65	50	85	5.8	2.9	0.19	B.065.6350.11
75/32	256	70	46	103	6.8	3.0	0.48	B.065.7532.11
75/50	253	70	56	113	6.8	4.6	0.52	B.065.7550.11
75/63	260	70	63	117	6.8	5.8	0.53	B.065.7563.11
90/63	275	79	64	137	8.2	5.8	0.74	B.065.9063.11
90/75	278	77	68	138	8.2	6.8	0.76	B.065.9075.11
110/63	315	87	65	159	10.0	5.8	1.21	B.065.1163.11
110/75	315	87	70	157	10.0	6.8	1.18	B.065.1175.11
110/90	315	84	79	155	10.0	8.2	1.22	B.065.1190.11
125/90	340	112	92	170	11.4	8.2	1.64	B.065.1290.11
125/110	340	90	83	170	11.4	10.0	1.85	B.065.1211.11
160/63	347	100	67	175	14.6	5.8	2.56	B.065.1663.11
160/75	348	101	76	179	14.6	6.8	2.62	B.065.1675.11
160/90	349	101	80	182	14.6	8.2	2.64	B.065.1690.11
160/110	400	98	83	202	14.6	10.0	3.18	B.065.1611.11
180/90	420	136	97	200	16.4	8.2	4.24	B.065.1890.11
180/110	430	130	101	206	16.4	10.0	4.58	B.065.1811.11
200/63	550	134	80	225	18.2	5.8	6.71	B.065.2063.11
200/90	560	134	95	227	18.2	8.2	6.72	B.065.2090.11
200/110	560	136	105	245	18.2	10.0	7.10	B.065.2011.11
200/125	550	134	110	240	18.2	11.4	6.92	B.065.2012.11
200/160	550	134	114	265	18.2	14.6	8.34	B.065.2016.11
225/75	451	120	75	226	20.5	6.8	6.56	B.065.2275.11
225/90	450	120	79	224	20.5	8.2	6.64	B.065.2290.11
225/110	449	120	85	226	20.5	10.0	6.68	B.065.2211.11
225/160	498	120	98	250	20.5	14.6	8.28	B.065.2216.11
225/180	558	135	135	280	20.5	16.4	9.80	B.065.2218.11
250/110	632	152	87	247	22.7	10.0	12.46	B.065.2511.11
250/160	634	152	101	272	22.7	14.6	12.96	B.065.2516.11
315/90	545	170	90	290	28.6	8.2	14.10	B.065.3190.11
315/110	555	170	100	290	28.6	10.0	15.28	B.065.3111.11
315/160	585	170	120	315	28.6	14.6	16.60	B.065.3116.11
315/225	650	170	145	335	28.6	20.5	19.58	B.065.3122.11
315/250	680	170	150	330	28.6	22.7	21.00	B.065.3125.11

Polypropylene Piping System

Butt Fusion SDR 11

Concentric Reducers

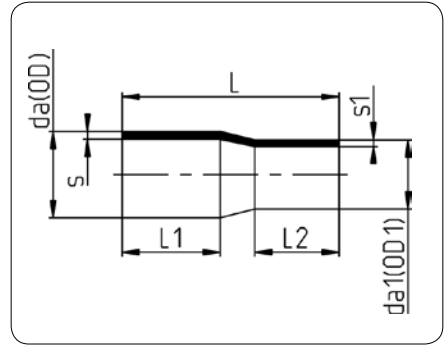
Long Spigot
Product 067

Grey PPR
Injection moulded
Butt (IR or contact) fusion or
electro-fusion

Réducteur Concentriques

Broche Longue
Produit 067

PPR gris
Moulé à injection
Bout fusion (IR ou Contact)
ou fusion électro-douille



da/da1 OD/OD1 mm	SDR 11 / ISO S-5 / PN 10						Weight Poids kg	Item No.
	L mm	L1 mm	L2 mm	s mm	s1 mm			
25/20	87	40	41	2.3	1.9	0.01	B.067.2520.11	
32/20	92	43	39	3.0	1.9	0.02	B.067.3220.11	
32/25	92	44	39	3.0	2.3	0.02	B.067.3225.11	
40/20	102	48	39	3.7	1.9	0.03	B.067.4020.11	
40/25	102	48	39	3.7	2.3	0.04	B.067.4025.11	
40/32	102	48	45	3.7	3.0	0.04	B.067.4032.11	
50/25	118	55	44	4.6	2.3	0.05	B.067.5025.11	
50/32	122	59	46	4.6	3.0	0.06	B.067.5032.11	
50/40	126	57	49	4.6	3.7	0.07	B.067.5040.11	
63/32	136	64	49	5.8	3.0	0.09	B.067.6332.11	
63/40	128	59	50	5.8	3.7	0.10	B.067.6340.11	
63/50	150	66	59	5.8	4.6	0.13	B.067.6350.11	
75/50	148	64	58	6.8	4.6	0.16	B.067.7550.11	
75/63	149	65	59	6.8	5.8	0.18	B.067.7563.11	
90/63	157	72	60	8.2	5.8	0.26	B.067.9063.11	
90/75	163	75	60	8.2	6.8	0.28	B.067.9075.11	
110/63	180	83	63	10.0	5.8	0.40	B.067.1163.11	
110/90	180	83	75	10.0	8.2	0.47	B.067.1190.11	
125/63	187	87	61	11.4	5.8	0.54	B.067.1263.11	
125/90	190	88	75	11.4	8.2	0.59	B.067.1290.11	
125/110	200	89	82	11.4	10.0	0.72	B.067.1211.11	
140/125	211	96	90	12.7	11.4	0.94	B.067.1412.11	
160/90	217	102	74	14.6	8.2	1.02	B.067.1690.11	
160/110	222	98	88	14.6	10.0	1.14	B.067.1611.11	
160/125	228	98	92	14.6	11.4	1.24	B.067.1612.11	
160/140	229	101	96	14.6	12.7	1.32	B.067.1614.11	
180/125	272	131	96	16.4	11.4	1.79	B.067.1812.11	
180/160	276	131	108	16.4	14.6	2.00	B.067.1816.11	
200/160	252	112	102	18.2	14.6	2.14	B.067.2016.11	
225/160	270	128	101	20.5	14.6	2.89	B.067.2216.11	
250/160	314	155	113	22.7	14.6	3.78	B.067.2516.11	
250/200	314	155	125	22.7	18.2	4.14	B.067.2521.11	
250/225	315	153	133	22.7	20.5	6.34	B.067.2522.11	
280/250	355	165	155	25.4	22.7	6.22	B.067.2825.11	
315/200	380	180	134	28.6	18.2	7.12	B.067.3120.11	
315/250	375	170	155	28.6	22.7	7.96	B.067.3125.11	

Concentric Reducers

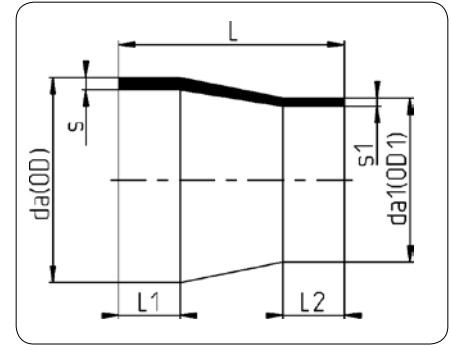
Short Spigot
Product 009

Grey PPR
Injection moulded
Butt (IR or contact) fusion or
electro-fusion

Pièces en T Réduites

Broche Courte
Produit 009

PPR gris
Moulé à injection
Bout fusion (IR ou Contact)
ou fusion électro-douille



da/da1 OD/OD1 mm	SDR 11 / ISO S-5 / PN 10						Weight Poids kg	Item No.
	L mm	L1 mm	L2 mm	s mm	s1 mm			
25/20	36	15	15	3.0	3.0	0.01	B.009.2520.11	
32/20	40	15	15	3.0	3.0	0.01	B.009.3220.11	
32/25	39	15	15	3.0	3.0	0.01	B.009.3225.11	
40/20	45	15	15	3.7	3.0	0.01	B.009.4020.11	
40/25	45	15	15	3.7	3.0	0.02	B.009.4025.11	
40/32	38	15	15	3.7	3.0	0.02	B.009.4032.11	
50/25	49	15	15	4.6	3.0	0.02	B.009.5025.11	
50/32	47	15	15	4.6	3.0	0.03	B.009.5032.11	
50/40	50	15	15	4.6	3.7	0.03	B.009.5040.11	
63/32	56	18	15	5.8	3.0	0.04	B.009.6332.11	
63/40	53	18	15	5.8	3.7	0.04	B.009.6340.11	
63/50	59	18	15	5.8	4.6	0.05	B.009.6350.11	
75/32	80	19	12	6.9	3.0	0.07	B.009.7532.11	
75/40	71	19	12	6.9	3.7	0.07	B.009.7540.11	
75/50	61	20	15	6.8	4.6	0.07	B.009.7550.11	
75/63	63	20	18	6.8	5.8	0.07	B.009.7563.11	
90/50	80	22	12	8.2	4.6	0.12	B.009.9050.11	
90/63	67	22	18	8.2	5.8	0.11	B.009.9063.11	
90/75	68	22	20	8.2	6.8	0.11	B.009.9075.11	
110/50	105	28	12	10.0	4.6	0.21	B.009.1150.11	
110/63	81	28	18	10.0	5.8	0.19	B.009.1163.11	
110/75	97	28	19	10.0	6.9	0.25	B.009.1175.11	
110/90	75	28	22	10.0	8.2	0.20	B.009.1190.11	
125/63	89	32	18	11.4	5.8	0.27	B.009.1263.11	
125/75	108	32	19	11.4	6.9	0.32	B.009.1275.11	
125/90	81	32	22	11.4	8.2	0.26	B.009.1290.11	
125/110	89	32	28	11.4	10.0	0.16	B.009.1211.11	
140/75	123	35	19	12.8	6.9	0.44	B.009.1475.11	
140/90	115	35	22	12.8	8.2	0.43	B.009.1490.11	
140/110	115	35	28	12.8	10.0	0.49	B.009.1411.11	
140/125	91	35	32	12.7	11.4	0.40	B.009.1412.11	
160/90	109	40	22	14.6	8.2	0.52	B.009.1690.11	
160/110	112	40	28	14.6	10.0	0.60	B.009.1611.11	
160/125	113	40	32	14.6	11.4	0.64	B.009.1612.11	
160/140	105	40	35	14.6	12.7	0.62	B.009.1614.11	

Polypropylene Piping System

Butt Fusion SDR 11

Concentric Reducers

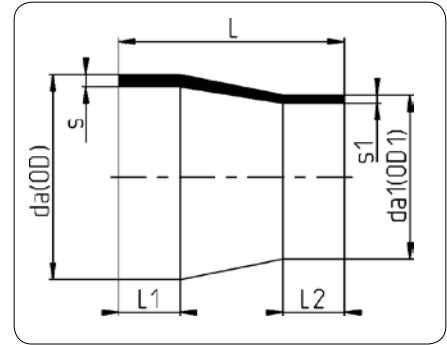
Short Spigot
Product 009

Grey PPR
Injection moulded
Butt (IR or contact) fusion or
electro-fusion

Pièces en T Réduites

Broche Courte
Produit 009

PPR gris
Moulé à injection
Bout fusion (IR ou Contact)
ou fusion électro-douille



da/da1 OD/OD1 mm	SDR 11 / ISO S-5 / PN 10						Weight Poids kg	Item No.
	L mm	L1 mm	L2 mm	s mm	s1 mm			
180/90	157.0	45	22	16.4	8.2	0.96	B.009.1890.11	
180/110	157.0	45	28	16.4	10.0	0.97	B.009.1811.11	
180/125	115.0	45	32	16.4	11.4	0.78	B.009.1812.11	
180/140	136.0	45	35	16.4	12.8	0.91	B.009.1814.11	
180/160	122.0	45	40	16.4	14.6	0.90	B.009.1816.11	
200/140	154.0	50	35	18.2	12.8	1.22	B.009.2014.11	
200/160	134.0	50	40	18.2	14.6	1.18	B.009.2016.11	
200/180	151.0	50	45	18.2	16.4	1.28	B.009.2018.11	
225/140	160.0	60	50	20.5	12.8	1.54	B.009.2214.11	
225/160	136.0	55	40	20.5	14.6	1.48	B.009.2216.11	
225/180	171.0	55	45	20.5	16.4	1.92	B.009.2218.11	
225/200	171.0	55	50	20.5	18.2	1.96	B.009.2220.11	
250/160	157.0	60	45	22.7	14.6	1.94	B.009.2516.11	
250/180	182.0	60	45	22.8	16.4	2.40	B.009.2518.11	
250/200	182.0	60	55	22.7	18.2	1.92	B.009.2521.11	
250/225	182.0	60	55	22.7	20.5	2.08	B.009.2522.11	
280/200	200.0	85	70	26.7	18.2	3.20	B.009.2820.11	
280/225	200.0	85	72	26.7	20.5	3.38	B.009.2822.11	
280/250	200.0	85	80	26.7	22.7	3.60	B.009.2825.11	
315/200	230.0	95	85	28.6	18.2	4.56	B.009.3120.11	
315/225	230.0	95	88	28.6	20.5	4.18	B.009.3122.11	
315/250	186.5	82	61.5	28.6	22.7	4.02	B.009.3125.11	
315/280	230.0	95	107	28.7	26.7	5.24	B.009.3128.11	

Polypropylene Piping System

Butt Fusion SDR 11

Concentric Reducers

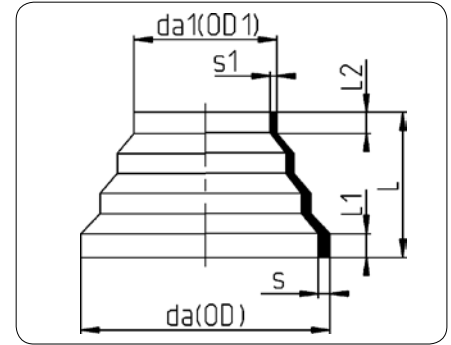
Short Spigot
Product 007

Grey PPR
Injection moulded
Butt (IR or contact) fusion or
electro-fusion

Réducteurs Concentriques

Broche Courte
Produit 007

PPR gris
Moulé à injection
Bout fusion (IR ou Contact)
ou fusion électro-douille



da/da1 OD/OD1 mm	SDR 11 / ISO S-5 / PN 10						Weight Poids kg	Item No.
	L mm	L1 mm	L2 mm	s mm	s1 mm			
63/16	97	10	8	5.8	1.8	0.04	B.007.6316.11	
75/32	71	10	9	6.8	2.9	0.09	B.007.7532.11	
110/63	62	9	6	10.0	5.8	0.14	B.007.1163.11	
125/75	72	13	8	11.4	6.8	0.20	B.007.1275.11	
160/110	83	13	13	14.6	10.0	0.42	B.007.1611.11	
225/160	90	18	14	20.5	14.6	0.96	B.007.2216.11	
315/225	130	25	20	28.6	20.5	2.52	B.007.3122.11	
450/315	180	42	20	40.9	28.6	7.60	B.007.4531.11	

Polypropylene Piping System



Butt Fusion SDR 11

Eccentric Reducers

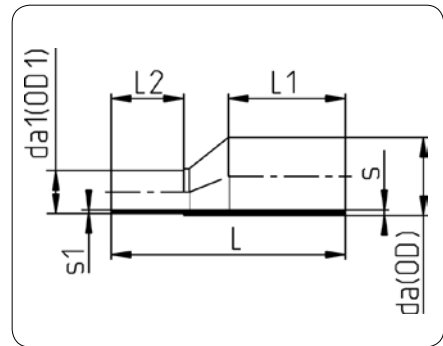
Long Spigot
Product 069

Grey PPR
Injection moulded
Butt (IR or contact) fusion or
electro-fusion

Réducteurs Excentriques

Broche Longue
Produit 069

PPR gris
Moulé à injection
Bout fusion (IR ou Contact)
ou fusion électro-douille



da/da1 OD/OD1 mm	SDR 11 / ISO S-5 / PN 10						Weight Poids kg	Item No.
	L mm	L1 mm	L2 mm	s mm	s1 mm			
25/20	103	51	38	2.3	1.9	0.02	B.069.2520.11	
32/25	114	56	40	3.0	2.3	0.02	B.069.3225.11	
40/25	126	60	40	3.7	2.3	0.05	B.069.4025.11	
40/32	125	59	44	3.7	3.0	0.05	B.069.4032.11	
50/32	156	71	45	4.6	3.0	0.08	B.069.5032.11	
50/40	157	71	49	4.6	3.7	0.09	B.069.5040.11	
63/32	177	75	45	5.8	3.0	0.13	B.069.6332.11	
63/40	177	76	49	5.8	3.7	0.13	B.069.6340.11	
63/50	177	76	56	5.8	4.6	0.15	B.069.6350.11	
75/50	197	84	57	6.8	4.6	0.21	B.069.7550.11	
75/63	197	83	63	6.8	5.8	0.24	B.069.7563.11	
90/63	220	92	64	8.2	5.8	0.35	B.069.9063.11	
90/75	223	80	70	8.2	6.8	0.39	B.069.9075.11	
110/63	247	99	63	10.0	5.8	0.55	B.069.1163.11	
110/90	244	98	79	10.0	8.2	0.62	B.069.1190.11	
125/63	268	105	63	11.4	5.8	0.76	B.069.1263.11	
125/90	265	106.5	79	11.4	8.2	0.88	B.069.1290.11	
125/110	265	103	87	11.4	10.0	0.93	B.069.1211.11	
140/125	287	113.5	95	12.7	11.4	1.27	B.069.1412.11	
160/90	309	117.5	79	14.6	8.2	1.48	B.069.1690.11	
160/110	309	115.5	87	14.6	10.0	1.6	B.069.1611.11	
160/125	309	116.5	91	14.6	11.4	1.75	B.069.1612.11	
160/140	308	116.5	98	14.6	12.7	1.76	B.069.1614.11	
180/90	348	128.5	79	16.4	8.2	2.07	B.069.1890.11	
180/125	353	135.5	93	16.4	11.4	2.36	B.069.1812.11	
180/160	353	135.5	104	16.4	14.6	2.56	B.069.1816.11	
200/160	373	138.5	104	18.2	14.6	3.26	B.069.2016.11	
200/180	373	143.5	111	18.2	16.4	3.41	B.069.2018.11	
225/160	405	154.5	102.5	20.5	14.6	4.22	B.069.2216.11	
225/180	403	154.5	108.5	20.5	16.4	4.34	B.069.2218.11	
225/200	403	155.5	126	20.5	18.2	4.62	B.069.2220.11	
250/200	440	188	120	22.7	18.2	6.02	B.069.2521.11	
250/225	442	188	140	22.7	20.5	6.34	B.069.2522.11	

Polypropylene Piping System

Butt Fusion SDR 11

End Caps

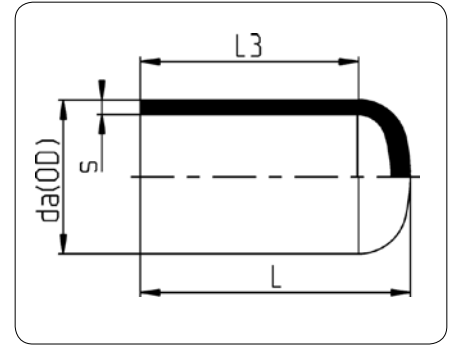
Long Spigot
Product 064

Grey PPR
Injection moulded
Butt (IR or contact) fusion or
electro-fusion

Montures d'Embout

Broche Longue
Produit 064

PPR gris
Moulé à injection
Bout fusion (IR ou Contact)
ou fusion électro-douille



da OD		SDR 11 / ISO S-5 / PN 10				
		L	L3	s	Weight Poids kg	Item No.
mm	Nom.	mm	mm	mm		
20	1/2"	47	41.0	1.9	0.01	B.064.0020.11
25	3/4"	49	41.0	2.3	0.01	B.064.0025.11
32	1"	55	47.0	2.9	0.02	B.064.0032.11
40	1-1/4"	64	51.0	3.7	0.03	B.064.0040.11
50	1-1/2"	73	60.0	4.6	0.05	B.064.0050.11
63	2"	84	68.0	5.8	0.09	B.064.0063.11
75	2-1/2"	93	75.0	6.8	0.14	B.064.0075.11
90	3"	107	84.0	8.2	0.24	B.064.0090.11
110	4"	134	97.0	10.0	0.46	B.064.0110.11
125	4-1/2"	138	102.0	11.4	0.61	B.064.0125.11
140	5"	144	106.0	12.7	0.81	B.064.0140.11
160	6"	167	118.5	14.6	1.14	B.064.0160.11
180	7"	191	141.0	16.4	1.66	B.064.0180.11
200	8"	181	127.0	18.2	2.06	B.064.0200.11
225	9"	211	141.0	20.5	2.92	B.064.0225.11
250	10"	230	152.0	22.7	3.86	B.064.0250.11
280	11"	257	162.0	25.4	5.24	B.064.0280.11
315	12"	262	180.0	28.6	7.01	B.064.0315.11

Polypropylene Piping System

Butt Fusion SDR 11

Female Threaded Adaptors – FNPT

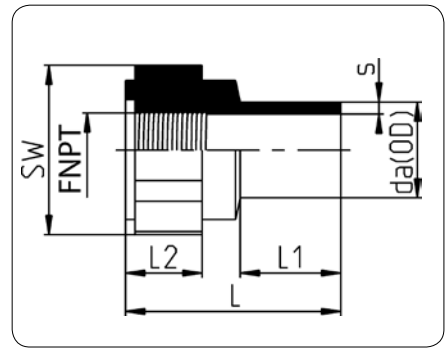
Long Spigot
Product 032.1

Grey PPR
Injection moulded
Butt (IR or contact) fusion or
electro-fusion

Adapteurs Filetés Femelles – FNPT

Broche Longue
Produit 032.1

PPR gris
Moulé à injection
Bout fusion (IR ou Contact)
ou fusion électro-douille



da OD		SDR 11 / ISO S-5 / PN 10							Weight Poids kg	Item No.
mm	Nom.	NPT	s	L	L1	L2	sw			
20	1/2"	1/2"	1.9	45	21	16	32	0.01	B.032.2021.11	
25	3/4"	3/4"	2.3	50	25	17	41	0.03	B.032.2526.11	
32	1"	1"	2.9	58	30	20	46	0.03	B.032.3233.11	
40	1-1/4"	1-1/4"	3.7	62	30	24	55	0.04	B.032.4041.11	
50	1-1/2"	1-1/2"	4.6	68	34	24	70	0.09	B.032.5051.11	
63	2"	2"	5.8	75	36	28	85	0.16	B.032.6364.11	
75	2-1/2"	2-1/2"	6.8	89	38	51	95	0.22	B.032.7576.11	
90	3"	3"	8.2	101	41	60	109	0.29	B.032.9091.11	
110	4"	4"	10.0	101	44	60	138	0.37	B.032.1112.11	

Male Threaded Adaptors – MNPT

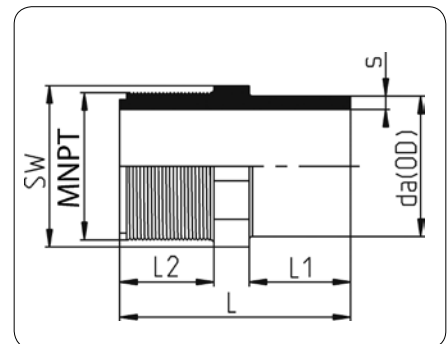
Long Spigot
Product 033.1

Grey PPR
Injection moulded
Butt (IR or contact) fusion or
electro-fusion

Adapteurs Filetés Males – MNPT

Broche Longue
Produit 033.1

PPR gris
Moulé à injection
Bout fusion (IR ou Contact)
ou fusion électro-douille



da OD		SDR 11 / ISO S-5 / PN 10							Weight Poids kg	Item No.
mm	Nom.	NPT	s	L	L1	L2	sw			
20	1/2"	1/2"	1.9	46	19	18	22	0.01	B.033.2021.11	
25	3/4"	3/4"	2.3	51	22	20	27	0.01	B.033.2526.11	
32	1"	1"	2.9	61	28	24	36	0.02	B.033.3233.11	
40	1-1/4"	1-1/4"	3.7	66	29	26	46	0.04	B.033.4041.11	
50	1-1/2"	1-1/2"	4.6	74	32	28	55	0.06	B.033.5051.11	
63	2"	2"	5.8	80	35	31	65	0.09	B.033.6364.11	
75	2-1/2"	2-1/2"	6.8	101	25	40	75	0.10	B.033.7576.11	
90	3"	3"	8.2	101	25	41	90	0.11	B.033.9091.11	
110	4"	4"	10.0	101	25	41	116	0.12	B.033.1112.11	

Polypropylene Piping System



ANSI Stub Flanges

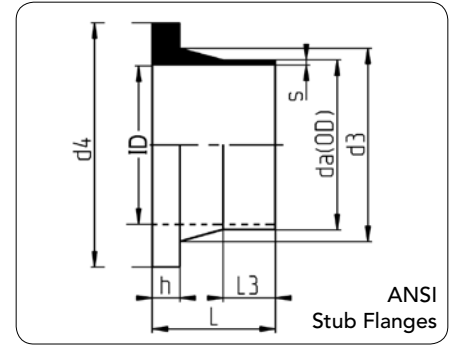
Short Spigot
Product 012.1

Grey PPR
Injection moulded
Butt (IR or contact) fusion or
electro-fusion
Used together with Backing Rings
(page 27) for flange connections

Brides d'ANSI

Broche Courte
Produit 012.1

PPR gris
Moulé à injection
Bout fusion (IR ou Contact)
ou fusion électro-douille
Utilisé avec des anneaux de support (page 27)
pour des raccords de bride



ANSI Stub Flanges

da		SDR 11 / ISO S-5 / PN 10							Weight Poids kg	Item No.
mm	Nom.	d3	d4	h	L	L3	s			
20	1/2"	27	44.5	7	52	30	1.9	0.03	B.012.1020.11	
25	3/4"	33	54.1	9	50	25	2.3	0.03	B.012.1025.11	
32	1"	40	63.5	10	50	25	2.9	0.04	B.012.1032.11	
40	1-1/4"	50	71.5	11	50	20	3.7	0.05	B.012.1040.11	
50	1-1/2"	61	82.5	12	50	20	4.6	0.08	B.012.1050.11	
63	2"	75	100.4	14	50	18	5.8	0.12	B.012.1063.11	
75	2-1/2"	89	117.0	16	50	18	6.8	0.18	B.012.1075.11	
90	3"	105	132.4	17	80	40	8.2	0.29	B.012.1090.11	
110*	4"	125	158.0	18	80	38	10.0	0.45	B.012.1110.11	
450	18"	492	545.0	60	165	65	40.9	12.80	B.012.1450.11	

* Flange diameter d4 is slightly smaller than ANSI standard.

* Diamètre de la bride d4 est légèrement moindre que ANSI standard. Brides de moignon nécessitent anneaux de support.

Polypropylene Piping System

Butt Fusion SDR 11

Chamfered Metric Stub Flanges

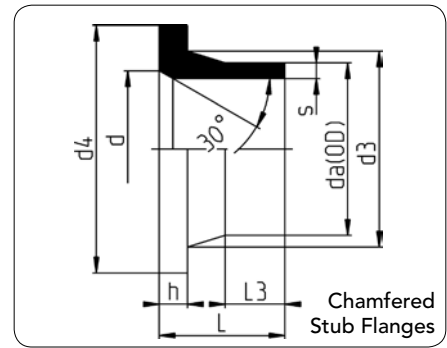
Short Spigot
Product 012.9

Grey PPR
Injection Moulded
Butt (IR or Contact) fusion
Designed for butterfly valves
Used together with Backing Rings, AZ18,
page 2.

Brides de Moignon Chanfreinées métrique

Broche Courte
Produit 012.9

PPR gris
Moulé à injection
Bout fusion (IR ou Contact)
Approprié aux vannes papillon
Utilisé avec des anneaux de support. AZ18,
page 2.



da OD		SDR 11 / ISO S-5 / PN 10						Weight Poids kg	Item No.
mm	Nom.	d3 mm	d4 mm	h mm	L mm	L3 mm	s mm		
110*	4"	125	158.0	18	80	38	10.0	0.45	B.012.9110.11
160*	6"	175	212.0	25	92	38	14.6	0.96	B.012.9160.11
200*	8"	232	268.0	32	110	40	18.2	1.94	B.012.9200.11
225*	9"	235	268.0	32	113	52	20.5	1.86	B.012.9225.11
250*	10"	285	320.0	35	132	58	22.7	2.80	B.012.9250.11
315*	12"	335	370.0	35	136	65	28.6	3.60	B.012.9315.11
355	14"	373	430.0	40	150	65	32.2	6.48	B.012.9355.11
400	16"	427	482.0	46	155	65	36.3	8.57	B.012.9400.11

* Flange diameter d4 is slightly smaller than ANSI standard.

* Diamètre de la bride d4 est légèrement moindre que ANSI standard. Brides de moignon nécessitent anneaux de support.

Sanitary Adaptors

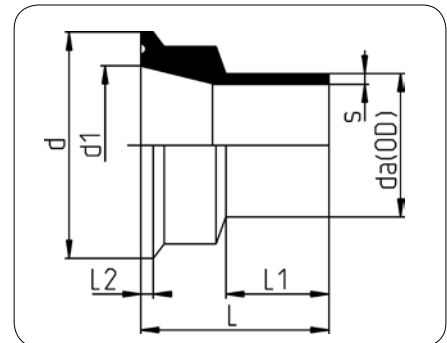
Product 306

Grey PPR
Machined
Butt (IR or Contact) fusion

Adapteurs Sanitaires

Produit 306

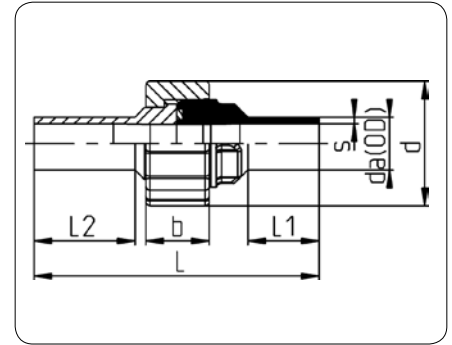
PPR gris
Machiné
Bout fusion (IR ou Contact)



da OD		SDR 11 / ISO S-5 / PN 10					Weight Poids kg	Item No.
mm	Nom.	s mm	L mm	L1 mm	d mm	d1 mm		
20	1/2"	1.9	42	23	50.5	18.1	0.03	B.306.0020-015.11
25	3/4"	2.3	42	23	50.5	22.4	0.02	B.306.0025-015.11
32	1"	2.9	42	23	50.5	29.7	0.03	B.306.0032-015.11
40	1-1/4"	3.7	42	23	64.0	38.4	0.03	B.306.0040-020.11
50	1-1/2"	4.6	42	23	64.0	44.2	0.04	B.306.0050-020.11
63	2"	5.8	42	23	77.5	60.3	0.05	B.306.0063-025.11
75	2-1/2"	6.8	32	27	90.9	72.5	0.06	B.306.0075-030.11
90	3"	8.2	56	32	90.9	72.5	0.10	B.306.0090-030.11
110	4"	10.0	56	32	118.9	96.8	0.15	B.306.0110-040.11

Polypropylene Piping System

Butt Fusion SDR 11



Unions

Short Spigot
Product 024

Grey PPR
with Viton O-rings*
Injection moulded

Unions

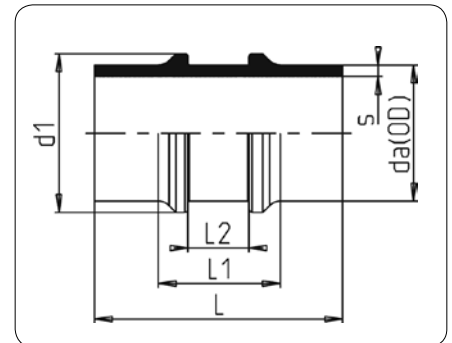
Broche Courte
Produit 024

PPG gris
avec bagues de Viton*
Moulé à injection

da		SDR 11 / ISO S-5 / PN 10							
mm	Nom.	s	L	L1	L2	d	b	Weight Poids kg	Item No.
20	1/2"	1.9	108	24	38	47	24	0.05	B.024.0120.11
25	3/4"	2.3	114	24	39	57	26	0.08	B.024.0125.11
32	1"	2.9	122	25	39	64	30	0.10	B.024.0132.11
40	1-1/4"	3.7	128	25	42	78	31	0.16	B.024.0140.11
50	1-1/2"	4.6	134	25	44	89	35	0.24	B.024.0150.11
63	2"	5.8	138	25	44	109	39	0.39	B.024.0163.11
75	2-1/2"	6.8	132	28	37	130	40	0.59	B.024.0175.11
90	3"	8.2	133	35.5	57	130	40	0.61	B.024.0190.11

* EPDM or PTFE covered O-rings also available.

* Les bagues d'EPDM ou couvertes de PTFE sont également disponibles.



Restraint Fittings

Product 301

Grey Pure PP
Machined
Butt (IR or contact) fusion or
electro-fusion

Garnitures de Retenue

Produit 301

PP-gris
Machiné
Bout fusion (IR ou Contact)
ou fusion électro-douille

da		SDR 11 / ISO S-5 / PN 10						
mm	Nom.	s	L	L1	L2	d1	Weight Poids kg	Item No.
20	1/2"	1.9	93	53	33	28	0.03	B.301.0020.11
25	3/4"	2.3	93	53	33	33	0.03	B.301.0025.11
32	1"	2.9	93	53	33	40	0.03	B.301.0032.11
40	1-1/4"	3.7	93	53	33	48	0.03	B.301.0040.11
50	1-1/2"	4.6	113	53	33	58	0.03	B.301.0050.11
63	2"	5.8	110	50	31	71	0.03	B.301.0063.11
75	2-1/2"	6.8	130	70	40	87	0.03	B.301.0075.11
90	3"	8.2	130	70	40	105	0.03	B.301.0090.11
110	4"	10.0	130	70	40	127	0.03	B.301.0110.11
125	4-1-2"	11.4	160	100	60	143	0.03	B.301.0125.11
140	5"	12.7	160	100	60	160	0.03	B.301.0140.11
160	6"	14.6	160	100	60	180	0.03	B.301.0160.11
180	7"	16.4	200	110	60	205	0.03	B.301.0180.11
200	8"	18.2	200	110	60	225	0.03	B.301.0200.11
225	9"	20.5	200	110	60	250	0.03	B.301.0225.11

Polypropylene Piping System

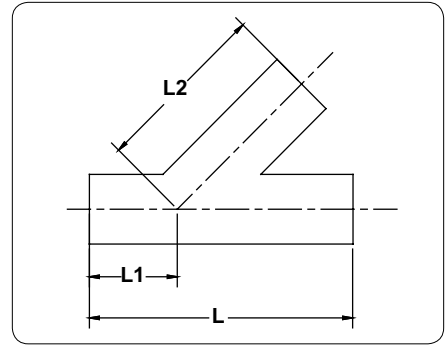
Butt Fusion SDR 11

Laterals

Product Y
Grey PPR
Fabricated

Latérales

Produit Y
PPG gris
Fabriqué



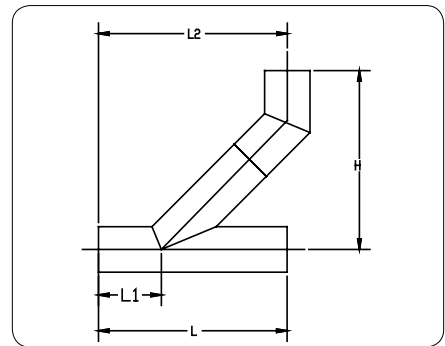
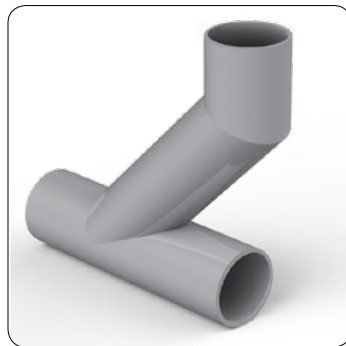
da OD		SDR 11 / ISO S-5 / PN 10				Item No.
mm	Nom.	L1 mm	L2 mm	L mm		
50	1-1/2"	152	305	457	B.Y.0050.11	
63	2"	152	305	457	B.Y.0063.11	
90	3"	152	305	457	B.Y.0090.11	
110	4"	152	305	457	B.Y.0110.11	
160	6"	203	406	610	B.Y.0160.11	
200	8"	254	508	762	B.Y.0200.11	
250	10"	305	610	914	B.Y.0250.11	
315	12"	356	711	1,067	B.Y.0315.11	
355	14"	406	813	1,219	B.Y.0355.11	
400	16"	457	914	1,372	B.Y.0400.11	

Laterals with 1/8 Bend

Product YB
Grey PPR
Fabricated

Latérales avec coude 1/8

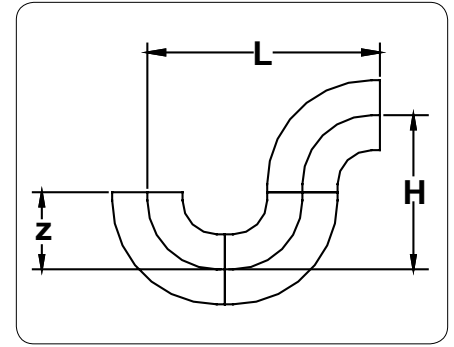
Produit YB
PPG gris
Fabriqué



da OD		SDR 11 / ISO S-5 / PN 10				Item No.
mm	Nom.	L mm	L1 mm	L2 mm	H mm	
50	1-1/2"	457	152	413	330	B.YB.0050.11
63	2"	457	152	419	337	B.YB.0063.11
90	3"	457	152	438	387	B.YB.0090.11
110	4"	457	152	438	394	B.YB.0110.11
160	6"	610	203	597	552	B.YB.0160.11
200	8"	762	254	724	648	B.YB.0200.11
250	10"	914	305	883	794	B.YB.0250.11
315	12"	1,067	356	997	845	B.YB.0315.11
355	14"	1,219	406	1,156	1,003	B.YB.0355.11
400	16"	1,372	457	1,314	1,162	B.YB.0400.11

Polypropylene Piping System

Butt Fusion SDR 11



P-Traps

Product PT
Grey PPR
Fabricated

Pièges-P

Produit PT
PPG gris
Fabriqué

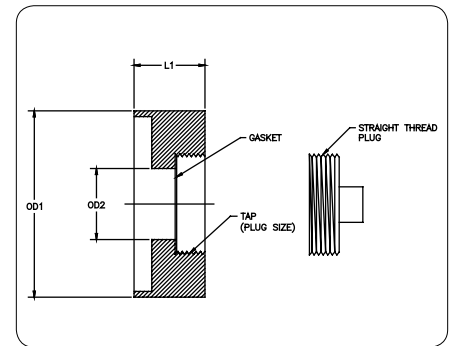
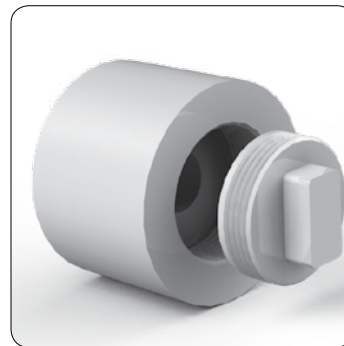
da		SDR 11 / ISO S-5 / PN 10				Item No.
mm	Nom.	L	Z	H		
50	1-1/2"	222	108	206	B.PT.0050.11	
63	2"	273	127	248	B.PT.0063.11	
90	3"	368	165	327	B.PT.0090.11	
110	4"	435	187	368	B.PT.0110.11	
160	6"	610	254	502	B.PT.0160.11	
200	8"	533	220	438	B.PT.0200.11	
250	10"	698	290	578	B.PT.0250.11	
315	12"	832	340	679	B.PT.0315.11	
355	14"	857	340	679	B.PT.0355.11	
400	16"	883	345	686	B.PT.0400.11	
450	18"	1,111	445	889	B.PT.0450.11	
500	20"	1,137	445	889	B.PT.0500.11	

Cleanouts with Plug

Product CO
Grey PPR
Fabricated

Ramonages avec bouchon

Produit CO
PPG gris
Fabriqué



da		SDR 11 / ISO S-5 / PN 10					Item No.
mm	Nom.	OD1	OD2	L1	Tap Depth		
50	1-1/2"	50	6	76	13	B.CO.0050.11	
63	2"	63	13	76	19	B.CO.0063.11	
90	3"	90	25	76	24	B.CO.0090.11	
110	4"	110	51	76	28	B.CO.0110.11	
160	6"	160	64	76	32	B.CO.0160.11	
200	8"	200	64	76	32	B.CO.0200.11	
250	10"	250	64	76	32	B.CO.0250.11	
315	12"	315	64	76	32	B.CO.0315.11	

Polypropylene Piping System

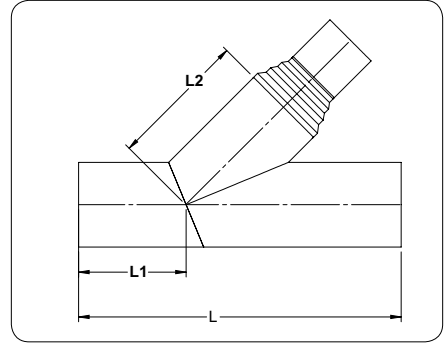
Butt Fusion SDR 11

Reducing Laterals

Product YR
Grey PPR
Fabricated

Latérales à réduit

Produit YR
PPG gris
Fabriqué



da OD mm	Nom.	SDR 11 / ISO S-5 / PN 10			Item No.
		L mm	L1 mm	L2 mm	
90x63	3"x2"	457	152	457	B.YR.9063.11
110x63	4"x2"	457	152	457	B.YR.1163.11
110x90	4"x3"	457	152	457	B.YR.1190.11
160x63	6"x2"	610	203	610	B.YR.1663.11
160x90	6"x3"	610	203	610	B.YR.1690.11
160x110	6"x4"	610	203	610	B.YR.1611.11
200x63	8"x2"	762	254	762	B.YR.2063.11
200x90	8"x3"	762	254	762	B.YR.2090.11
200x110	8"x4"	762	254	762	B.YR.2011.11
200x160	8"x6"	762	254	762	B.YR.2016.11
250x63	10"x2"	914	305	914	B.YR.2563.11
250x90	10"x3"	914	305	914	B.YR.2590.11
250x110	10"x4"	914	305	914	B.YR.2511.11
250x160	10"x6"	914	305	914	B.YR.2516.11
250x200	10"x8"	914	305	914	B.YR.2521.11
315x160	12"x6"	1,067	356	1,067	B.YR.3116.11
315x200	12"x8"	1,067	356	1,067	B.YR.3120.11

Polypropylene Piping System

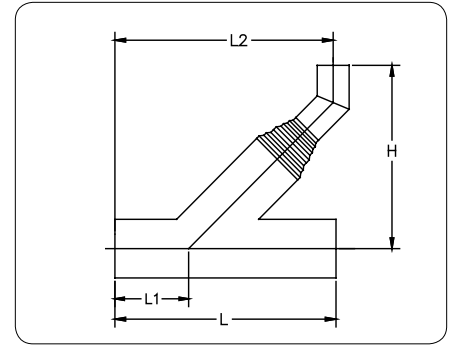
Butt Fusion SDR 11

Reducing Lateral with 1/8 Bend

Product YRB
Grey PPR
Fabricated

Latérales à réduit avec coude 1/8

Produit YRB
PPG gris
Fabriqué



da OD		SDR 11 / ISO S-5 / PN 10					Item No.
		L	L1	L2	H		
mm	Nom.	mm	mm	mm	mm		
110x63	4"x2"	457	152	305	419	B.YRB.1163.11	
110x90	4"x3"	457	152	305	438	B.YRB.1190.11	
160x63	6"x2"	610	203	406	483	B.YRB.1663.11	
160x90	6"x3"	610	203	406	470	B.YRB.1690.11	
160x110	6"x4"	610	203	406	572	B.YRB.1611.11	
200x63	8"x2"	762	254	508	578	B.YRB.2063.11	
200x90	8"x3"	762	254	508	591	B.YRB.2090.11	
200x110	8"x4"	762	254	508	603	B.YRB.2011.11	
200x160	8"x6"	762	254	508	591	B.YRB.2016.11	
250x63	10"x2"	914	305	610	749	B.YRB.2563.11	
250x90	10"x3"	914	305	610	692	B.YRB.2590.11	
250x110	10"x4"	914	305	610	716	B.YRB.2511.11	
250x160	10"x6"	914	305	610	743	B.YRB.2516.11	
250x200	10"x8"	914	305	610	737	B.YRB.2520.11	
315x160	12"x6"	1,067	356	711	870	B.YRB.3116.11	
315x200	12"x8"	1,067	356	711	857	B.YRB.3120.11	

Polypropylene Piping System

Butt Fusion SDR 11

Reducing Sanitary Tees

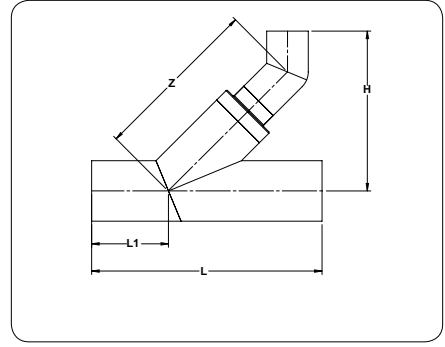
Product RST

Grey PPR
Fabricated

Tés sanitaires à réduit

Produit RST

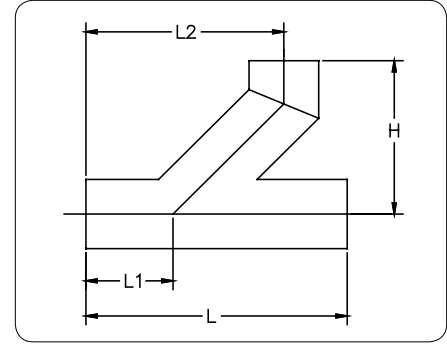
PPG gris
Fabriqué



da OD mm	Nom.	SDR 11 / ISO S-5 / PN 10				Item No.
		L mm	L1 mm	Z mm	H mm	
110x63	4"x2"	457	152	267	270	B.RST.1163.11
110x90	4"x3"	457	152	267	292	B.RST.1190.11
160x63	6"x2"	610	203	381	349	B.RST.1663.11
160x90	6"x3"	610	203	381	375	B.RST.1690.11
160x110	6"x4"	610	203	381	378	B.RST.1611.11
200x63	8"x2"	762	254	432	384	B.RST.2063.11
200x90	8"x3"	762	254	432	410	B.RST.2090.11
200x110	8"x4"	762	254	432	432	B.RST.2011.11
200x160	8"x6"	762	254	432	514	B.RST.2016.11
250x63	10"x2"	914	305	508	438	B.RST.2563.11
250x90	10"x3"	914	305	508	464	B.RST.2590.11
250x110	10"x4"	914	305	533	486	B.RST.2511.11
250x160	10"x6"	914	305	533	533	B.RST.2516.11
250x200	10"x8"	914	305	610	600	B.RST.2521.11
315x160	12"x6"	1,067	356	711	660	B.RST.3116.11
315x200	12"x8"	1,067	356	737	692	B.RST.3120.11

Polypropylene Piping System

 **Butt Fusion SDR 11**



Sanitary Tees

Product ST
Grey PPR
Fabricated

Tés sanitaires

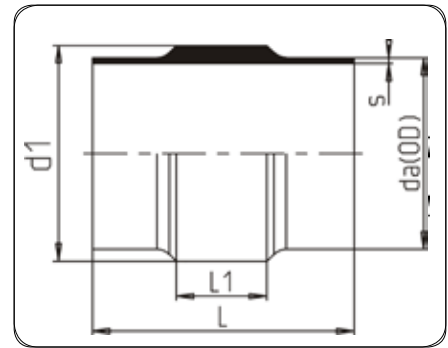
Produit RST
PPG gris
Fabriqué

		SDR 11 / ISO S-5 / PN 10					
mm	da OD Nom.	L mm	L1 mm	L2 mm	H mm	Item No.	
63	2"	457	152	305	229	B.ST.0063.11	
90	3"	457	152	305	229	B.ST.0090.11	
110	4"	457	152	305	229	B.ST.0110.11	
160	6"	610	203	406	318	B.ST.0160.11	
200	8"	762	254	508	394	B.ST.0200.11	
250	10"	914	305	610	470	B.ST.0250.11	
315	12"	1,067	356	711	552	B.ST.0315.11	

Polypropylene Piping System



Butt Fusion SDR 11



Instrumentation Fittings

Product 303

Grey Polypropylene
Injection Moulded
Contact or IR Butt Fusion

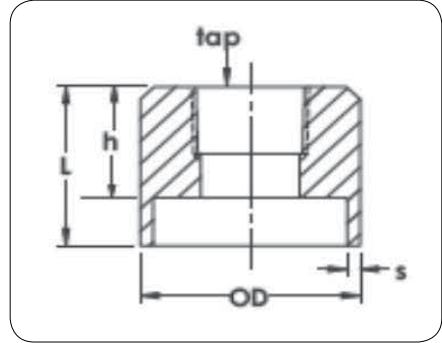
Raccord d'instrumentation

Produit 303

Polypropylène gris
Moulé à injection
Soudure Bout IR ou Contact

Size			Dimensions				SDR 11 / PN 10 / 150 PSI		
			L	L1	d1	s	Weight Poids lbs.	Item No.	
20	1/2"	Solid	4.724	1.969	1.969	0.075	0.684	B.303.1020.11	
20	1/2"	1/4" Tap	4.724	1.969	1.969	0.075	0.684	B.303.2020.11	
25	3/4"	Solid	4.724	1.969	2.165	0.075	0.573	B.303.1025.11	
25	3/4"	1/4" Tap	4.724	1.969	2.165	0.075	0.573	B.303.2025.11	
32	1"	Solid	4.724	1.969	2.362	0.094	0.595	B.303.1032.11	
32	1"	1/4" Tap	4.724	1.969	2.362	0.094	0.595	B.303.2032.11	
32	1"	1/2" Tap	4.724	1.969	2.362	0.094	0.595	B.303.3032.11	
40	1-1/4"	Solid	4.724	1.969	2.953	0.094	0.882	B.303.1040.11	
40	1-1/4"	1/4" Tap	4.724	1.969	2.953	0.094	0.882	B.303.2040.11	
40	1-1/4"	1/2" Tap	4.724	1.969	2.953	0.094	0.882	B.303.3040.11	
50	1-1/2"	Solid	4.724	1.969	3.150	0.118	0.904	B.303.1050.11	
50	1-1/2"	1/4" Tap	4.724	1.969	3.150	0.118	0.904	B.303.2050.11	
50	1-1/2"	1/2" Tap	4.724	1.969	3.150	0.118	0.904	B.303.3050.11	
63	2"	Solid	4.724	2.047	3.307	0.118	0.860	B.303.1063.11	
63	2"	1/4" Tap	4.724	2.047	3.307	0.118	0.860	B.303.2063.11	
63	2"	1/2" Tap	4.724	2.047	3.307	0.118	0.860	B.303.3063.11	
75	2-1/2"	Solid	4.724	1.969	4.134	0.142	1.433	B.303.1075.11	
75	2-1/2"	1/4" Tap	4.724	1.969	4.134	0.142	1.433	B.303.2075.11	
75	2-1/2"	1/2" Tap	4.724	1.969	4.134	0.142	1.433	B.303.3075.11	
90	3"	Solid	5.866	2.362	4.134	0.169	1.367	B.303.1090.11	
90	3"	1/4" Tap	5.866	2.362	4.134	0.169	1.367	B.303.2090.11	
90	3"	1/2" Tap	5.866	2.362	4.134	0.169	1.367	B.303.3090.11	
110	4"	Solid	5.906	2.362	4.882	0.209	1.830	B.303.1110.11	
110	4"	1/4" Tap	5.906	2.362	4.882	0.209	1.830	B.303.2110.11	
110	4"	1/2" Tap	5.906	2.362	4.882	0.209	1.830	B.303.3110.11	
160	6"	Solid	6.220	3.071	7.008	0.303	4.013	B.303.1160.11	
160	6"	1/4" Tap	6.220	3.071	7.008	0.303	4.013	B.303.2160.11	
160	6"	1/2" Tap	6.220	3.071	7.008	0.303	4.013	B.303.3160.11	

Polypropylene Piping System



Probe Adaptors

Product BA

Polypropylene
Injection Moulded
Contact or IR Butt Fusion

Adaptateurs de Soude

Produit BA

Polypropylène
Moulé à injection
Soudure Bout IR ou Contact

da OD mm	Nom.	Description	SDR 11 / ISO S-5 / PN 10				Item No.
			h mm	L mm	s mm		
20	1/2"	Solid	25.4	38.1	2.5	B.PA.0020.11	
20	1/2"	1/4" Tap	25.4	38.1	2.5	B.PA.1020.11	
25	3/4"	Solid	25.4	38.1	2.7	B.PA.0025.11	
25	3/4"	1/4" Tap	25.4	38.1	2.7	B.PA.1025.11	
32	1"	Solid	25.4	38.1	2.9	B.PA.0032.11	
32	1"	1/4" Tap	25.4	38.1	2.9	B.PA.1032.11	
32	1"	1/2" Tap	25.4	38.1	2.9	B.PA.2032.11	
40	1-1/4"	Solid	25.4	38.1	3.7	B.PA.0040.11	
40	1-1/4"	1/4" Tap	25.4	38.1	3.7	B.PA.1040.11	
40	1-1/4"	1/2" Tap	25.4	38.1	3.7	B.PA.2040.11	
50	1-1/2"	Solid	25.4	38.1	4.6	B.PA.0050.11	
50	1-1/2"	1/4" Tap	25.4	38.1	4.6	B.PA.1050.11	
50	1-1/2"	1/2" Tap	25.4	38.1	4.6	B.PA.2050.11	
50	1-1/2"	3/4" Tap	25.4	38.1	4.6	B.PA.3050.11	
63	2"	Solid	25.4	38.1	5.8	B.PA.0063.11	
63	2"	1/4" Tap	25.4	38.1	5.8	B.PA.1063.11	
63	2"	1/2" Tap	25.4	38.1	5.8	B.PA.2063.11	
63	2"	3/4" Tap	25.4	38.1	5.8	B.PA.3063.11	
90	3"	Solid	25.4	38.1	4.3	B.PA.0090.11	
90	3"	1/4" Tap	25.4	38.1	4.3	B.PA.1090.11	
90	3"	1/2" Tap	25.4	38.1	4.3	B.PA.2090.11	
90	3"	3/4" Tap	25.4	38.1	4.3	B.PA.3090.11	
110	4"	Solid	25.4	38.1	5.3	B.PA.0110.11	
110	4"	1/4" Tap	25.4	38.1	5.3	B.PA.1110.11	
110	4"	1/2" Tap	25.4	38.1	5.3	B.PA.2110.11	
110	4"	3/4" Tap	25.4	38.1	5.3	B.PA.3110.11	

* Fabricated items, non-returnable, non-cancellable

* Articles manufacturés, non remboursables, non résiliables

Polypropylene Piping System

Butt Fusion SDR 11

Sanitary Run Tees

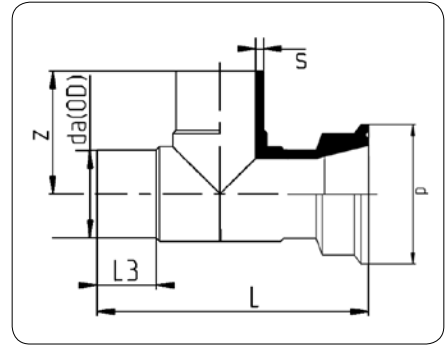
Long Spigot
Product SRT

Grey PPR
Injection moulded/Fabricated
Butt (IR or contact) fusion or
electro-fusion

Tés Sanitarias

Broche Longue
Produit SRT

PPR gris
Moulé à injection/Fabriqué
Bout fusion (IR ou Contact)
ou fusion électro-douille



da OD		SDR 11 / ISO S-5 / PN10					Weight Poids kg	Item No.
		L	z	L3	s	d		
mm	Nom.	mm	mm	mm	mm	mm		
20	1/2"	109	57	37	1.9	50.5	0.04	B.SRT.0020.11
25	3/4"	117	59	40	2.3	50.5	0.05	B.SRT.0025.11
32	1"	144	71	45	2.9	50.5	0.09	B.SRT.0032.11
40	1-1/4"	168	84	51	3.7	64.0	0.15	B.SRT.0040.11
50	1-1/2"	189	95	57	4.6	64.0	0.29	B.SRT.0050.11
63	2"	229	115	66	5.8	77.5	0.47	B.SRT.0063.11
75	2-1/2"	260	131	71	6.8	90.9	0.71	B.SRT.0075.11
90	3"	290	145	82	8.2	118.9	1.05	B.SRT.0090.11
110	4"	320	160	86	10.0	118.9	1.62	B.SRT.0110.11

* Fabricated items, non-returnable, non-cancellable

* *Articles manufacturés, non remboursables, non résiliables*

Polypropylene Piping System



Threaded Run Tee

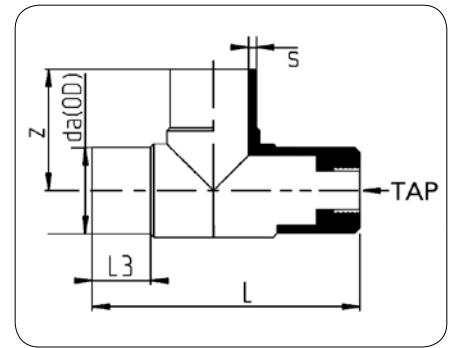
Product TRT

Polypropylene
Injection moulded/Fabricated
Contact or IR Butt Fusion

Tés Filetés en Parcours

Produit TRT

Polypropylène
Moulé à injection/Fabriqué
Soudure Bout IR ou Contact



da OD mm	Nom.	Description	SDR 11 / ISO S-5 / PN 10				Weight Poids kg	Item No.
			L mm	z mm	L3 mm	s mm		
20	1/2"	Solid	109	57	37	1.9	0.13	B.TRT.0020.11
20	1/2"	1/4" Tap	109	57	37	1.9	0.13	B.TRT.1020.11
25	3/4"	Solid	117	59	40	2.3	0.14	B.TRT.0025.11
25	3/4"	1/4" Tap	117	59	40	2.3	0.14	B.TRT.1025.11
32	1"	Solid	144	71	45	2.9	0.17	B.TRT.0032.11
32	1"	1/4" Tap	144	71	45	2.9	0.17	B.TRT.1032.11
32	1"	1/2" Tap	144	71	45	2.9	0.17	B.TRT.2032.11
40	1-1/4"	Solid	168	84	51	3.7	0.21	B.TRT.0040.11
40	1-1/4"	1/4" Tap	168	84	51	3.7	0.21	B.TRT.1040.11
40	1-1/4"	1/2" Tap	168	84	51	3.7	0.21	B.TRT.2040.11
50	1-1/2"	Solid	189	95	57	4.6	0.29	B.TRT.0050.11
50	1-1/2"	1/4" Tap	189	95	57	4.6	0.29	B.TRT.1050.11
50	1-1/2"	1/2" Tap	189	95	57	4.6	0.29	B.TRT.2050.11
50	1-1/2"	3/4" Tap	189	95	57	4.6	0.29	B.TRT.3050.11
63	2"	Solid	229	115	66	5.8	0.47	B.TRT.0063.11
63	2"	1/4" Tap	229	115	66	5.8	0.47	B.TRT.1063.11
63	2"	1/2" Tap	229	115	66	5.8	0.47	B.TRT.2063.11
63	2"	3/4" Tap	229	115	66	5.8	0.47	B.TRT.3063.11
90	3"	Solid	290	145	82	8.2	1.05	B.TRT.0090.11
90	3"	1/4" Tap	290	145	82	8.2	1.05	B.TRT.1090.11
90	3"	1/2" Tap	290	145	82	8.2	1.05	B.TRT.2090.11
90	3"	3/4" Tap	290	145	82	8.2	1.05	B.TRT.3090.11
110	4"	Solid	320	160	86	10.0	1.62	B.TRT.0110.11
110	4"	1/4" Tap	320	160	86	10.0	1.62	B.TRT.1110.11
110	4"	1/2" Tap	320	160	86	10.0	1.62	B.TRT.2110.11
110	4"	3/4" Tap	320	160	86	10.0	1.62	B.TRT.3110.11

* Fabricated items, non-returnable, non-cancellable

* Articles manufacturés, non remboursables, non résiliables

Polypropylene Piping System

Electro Fusion SDR 11

Electro-Fusion Couplings

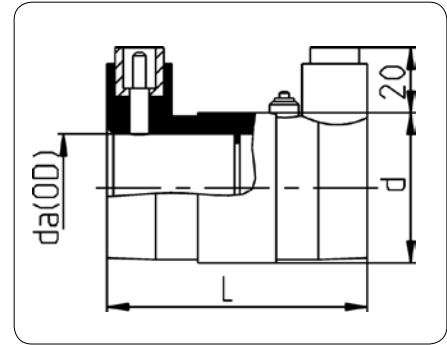
Product 173

Grey PPR
Injection moulded
Electro-fusion

Accouplements d'Emboîtement

Produit 173

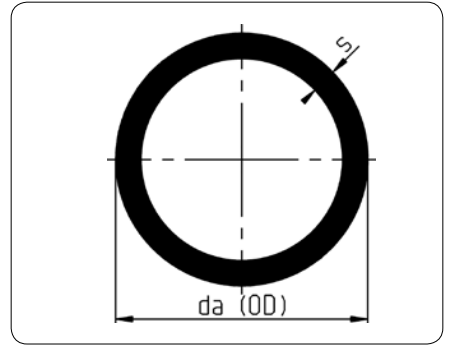
PPR gris
Moulé à injection
Fusion électro-douille



da OD		SDR 11 / PN 10				
		L	d	Weight Poids kg	Item No.	
mm	Nom.	mm	mm			
20	1/2"	70	33	0.04	B.173.0020.11	
25	3/4"	70	38	0.05	B.173.0025.11	
32	1"	70	46	0.06	B.173.0032.11	
40	1-1/4"	84	55	0.10	B.173.0040.11	
50	1-1/2"	87	67	0.13	B.173.0050.11	
63	2"	97	83	0.20	B.173.0063.11	
75	2-1/2"	122	98	0.34	B.173.0075.11	
90	3"	145	113	0.48	B.173.0090.11	
110	4"	155	134	0.78	B.173.0110.11	
125	4-1/2"	164	154	1.06	B.173.0125.11	
140	5"	195	170	1.34	B.173.0140.11	
160	6"	197	200	1.72	B.173.0160.11	
200	8"	202	240	3.02	B.173.0200.11	
225	9"	200	250	1.80	B.173.0225.11	

Polypropylene Piping System

Pipe SDR 33



Pipe

Product 705
Homopolymer
Grey PPH

Tuyau

Produit 705
Homopolymère
PPH gris

SDR 33 / S-16 / PN 3.2				
da		s	Weight	Item No.
OD	Nom.	mm	Poids	
mm			kg/m	
90	3"	2.8	0.76	B.705.0090.33
110	4"	3.4	1.11	B.705.0110.33
125	4-1/2"	3.9	1.45	B.705.0125.33
140	5"	4.3	1.78	B.705.0140.33
160	6"	4.9	2.32	B.705.0160.33
180	7"	5.5	2.94	B.705.0180.33
200	8"	6.2	3.65	B.705.0200.33
225	9"	6.9	4.57	B.705.0225.33
250	10"	7.7	5.67	B.705.0250.33
280	11"	8.6	7.09	B.705.0280.33
315	12"	9.7	8.97	B.705.0315.33
355	14"	10.9	11.3	B.705.0355.33
400	16"	12.3	14.4	B.705.0400.33
450	18"	13.8	18.2	B.705.0450.33
500	20"	15.3	22.3	B.705.0500.33
560	22"	17.2	28.1	B.705.0560.33
630	24"	19.3	35.5	B.705.0630.33

* Weights are per meter, supplied in 5 meter (16.5 ft.) lengths.
* Poids au mètre, fourni en longueurs de 5 mètres (16.5 pieds).

Polypropylene Piping System

Butt Fusion SDR 33

90° Elbows

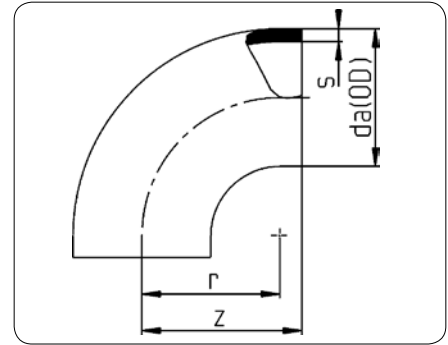
Short Spigot
Product 001

Grey PPR
Injection moulded
Butt (IR or contact) fusion

Coubes 90°

Broche Courte
Produit 001

PPR gris
Moulé à injection
Soudure Bout fusion (IR ou Contact)



da OD		SDR 33 / ISO S-16 / PN 3.2				
mm	Nom.	r mm	z mm	s mm	Weight Poids kg	Item No.
110	4"	110	120	3.4	0.25	B.001.0110.33
125	4-1/2"	125	140	3.9	0.33	B.001.0125.33
140	5"	140	150	4.3	0.45	B.001.0140.33
160	6"	155	177	4.9	0.72	B.001.0160.33
180	7"	180	200	5.5	0.10	B.001.0180.33
200	8"	200	220	6.2	1.35	B.001.0200.33
225	9"	225	250	6.9	1.88	B.001.0225.33
250	10"	265	290	7.7	2.78	B.001.0250.33
280	11"	260	290	8.6	3.60	B.001.0280.33
315	12"	300	340	9.7	4.96	B.001.0315.33
355	14"	300	340	10.9	6.46	B.001.0355.33
400	16"	300	345	12.3	8.22	B.001.0400.33
450	18"	400	445	13.8	14.18	B.001.0450.33
500	20"	400	445	15.3	17.18	B.001.0500.33

Polypropylene Piping System

Butt Fusion SDR 33

Tees

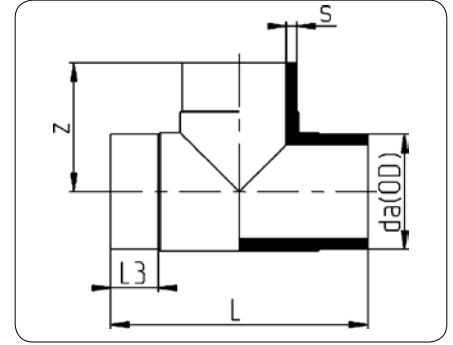
Short Spigot
Product 006

Grey PPR
Injection moulded
Butt (IR or contact) fusion or
electro-fusion

Pièces en T

Broche Courte
Produit 006

PPR gris
Moulé à injection
Bout fusion (IR ou Contact)
ou fusion électro-douille



da OD		SDR 33 / ISO S-16 / PN 3.2					Weight Poids kg	Item No.
mm	Nom.	L mm	z mm	L3 mm	s mm			
110	4"	223	109.0	35	3.4	0.45	B.006.0110.33	
125	4-1-2"	230	115.0	40	3.9	0.49	B.006.0125.33	
140	5"	253	125.0	25	4.3	1.02	B.006.0140.33	
160	6"	346	173.0	57	4.9	1.70	B.006.0160.33	
180	7"	372	186.0	57	5.5	2.36	B.006.0180.33	
200	8"	405	202.5	57	6.2	2.80	B.006.0200.33	
225	9"	440	220.0	57	6.9	3.48	B.006.0225.33	
250	10"	475	237.0	70	7.7	6.10	B.006.0250.33	
280	11"	540	270.0	80	8.6	8.20	B.006.0280.33	
315	12"	550	275.0	80	9.7	9.64	B.006.0315.33	
355	14"	684	342.0	100	10.9	16.30	B.006.0355.33	
400	16"	698	355.0	104	12.3	19.16	B.006.0400.33	
450	18"	900	450.0	130	13.8	33.00	B.006.0450.33	
500	20"	895	450.0	130	15.3	33.66	B.006.0500.33	

Polypropylene Piping System

Butt Fusion SDR 33

Concentric Reducers

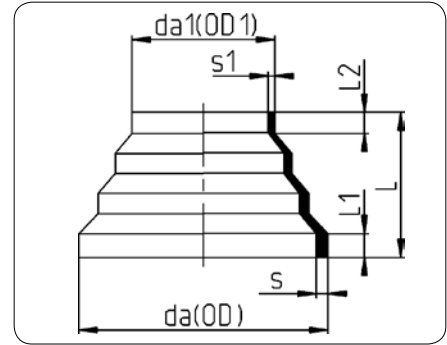
Short Spigot
Product 007

Grey PPR
Injection moulded
Butt (IR or contact) fusion or
electro-fusion

Réducteurs Concentriques

Broche Courte
Produit 007

PPR gris
Moulé à injection
Bout fusion (IR ou Contact)
ou fusion électro-douille



da/da1 OD/OD1 mm	SDR 33 / ISO S-16 / PN 3.2						Weight Poids kg	Item No.
	L mm	L1 mm	L2 mm	s mm	s1 mm			
110/63	62	9	6	3.4	3.0	0.06	B.007.1163.33	
125/75	72	13	8	3.9	2.3	0.09	B.007.1275.33	
160/110	83	13	13	4.9	3.4	0.16	B.007.1611.33	
225/160	90	18	14	6.9	4.9	0.39	B.007.2216.33	
315/225	130	25	20	9.7	6.9	1.04	B.007.3122.33	
450/315	180	42	20	13.8	9.7	3.16	B.007.4531.33	
630/450	188	30	20	19.3	13.8	6.61	B.007.6345.33	

Polypropylene Piping System

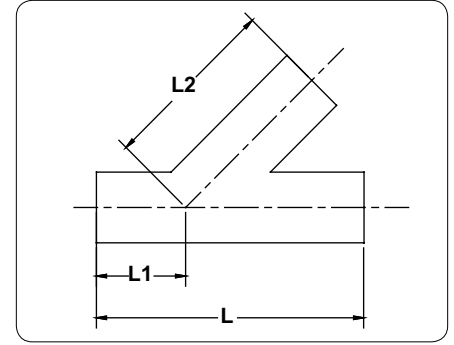
 **Butt Fusion SDR 33**

Laterals

Product Y
Grey PPR
Fabricated

Latérales

Produit Y
PPG gris
Fabriqué



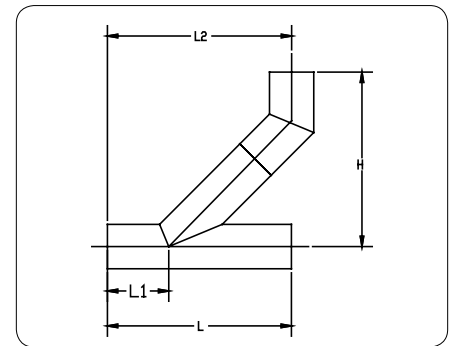
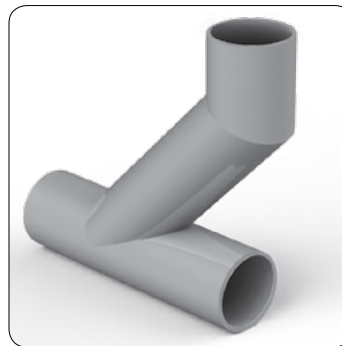
da OD		SDR 33 / ISO S-16 / PN 3.2				Item No.
mm	Nom.	L1 mm	L2 mm	L mm		
110	4"	152	305	457	B.Y.0110.33	
160	6"	203	406	610	B.Y.0160.33	
200	8"	254	508	762	B.Y.0200.33	
250	10"	305	610	914	B.Y.0250.33	
315	12"	356	711	1,067	B.Y.0315.33	
355	14"	406	813	1,219	B.Y.0355.33	
400	16"	457	914	1,372	B.Y.0400.33	

Laterals with 1/8 Bend

Product YB
Grey PPR
Fabricated

Latérales avec coude 1/8

Produit YB
PPG gris
Fabriqué



da OD		SDR 33 / ISO S-16 / PN 3.2				Item No.
mm	Nom.	L mm	L1 mm	L2 mm	H mm	
110	4"	457	152	457	432	B.YB.0110.33
160	6"	610	203	597	546	B.YB.0160.33
200	8"	762	254	718	616	B.YB.0200.33
250	10"	914	305	838	686	B.YB.0250.33
315	12"	1,067	356	997	845	B.YB.0315.33
355	14"	1,219	406	1,156	1,003	B.YB.0355.33
400	16"	1,372	457	1,314	1,162	B.YB.0400.33

Polypropylene Piping System

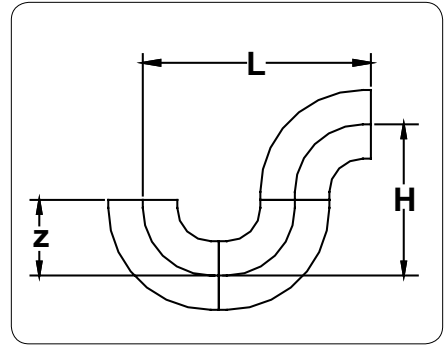
Butt Fusion SDR 33

P-Traps

Product PT
Grey PPR
Fabricated

Pièges-P

Produit PT
PPG gris
Fabriqué



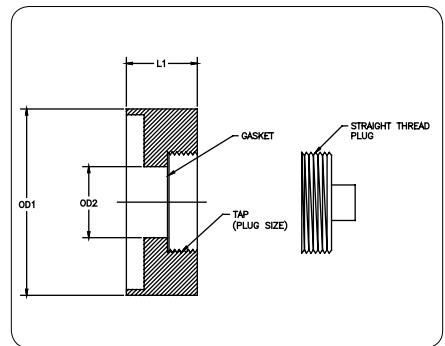
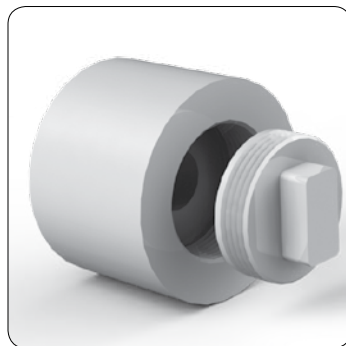
da OD	SDR 33 / ISO S-16 / PN 3.2				Item No.
	L	Z	H		
mm Nom.	mm	mm	mm	mm	
110 4"	435	187	368		B.PT.0110.33
160 6"	610	254	502		B.PT.0160.33
200 8"	533	220	438		B.PT.0200.33
250 10"	698	290	578		B.PT.0250.33
315 12"	832	340	679		B.PT.0315.33
355 14"	857	340	679		B.PT.0355.33
400 16"	883	345	686		B.PT.0400.33
450 18"	1,111	445	889		B.PT.0450.33
500 20"	1,137	445	889		B.PT.0500.33

Cleanouts with Plug

Product CO
Grey PPR
Fabricated

Ramonages avec bouchon

Produit CO
PPG gris
Fabriqué



da OD	SDR 33 / ISO S-16 / PN 3.2					Item No.
	OD1	OD2	L1	Tap Depth		
mm Nom.	mm	mm	mm	mm	mm	
110 4"	110	51	28	28		B.CO.0110.33
160 6"	160	64	32	32		B.CO.0160.33
200 8"	200	64	32	32		B.CO.0200.33
250 10"	250	64	32	32		B.CO.0250.33
315 12"	315	64	32	32		B.CO.0315.33

Polypropylene Piping System

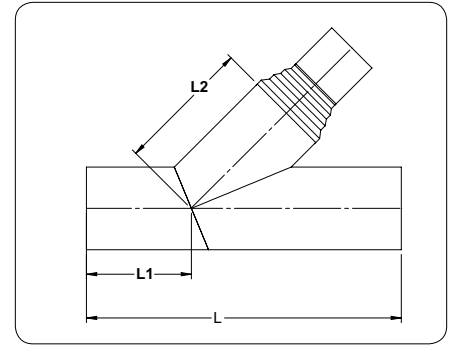
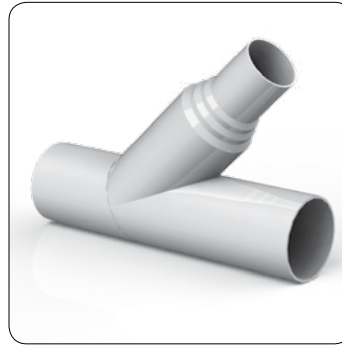
Butt Fusion SDR 33

Reducing Laterals

Product YR
Grey PPR
Fabricated

Latérales à réduit

Produit YR
PPG gris
Fabriqué



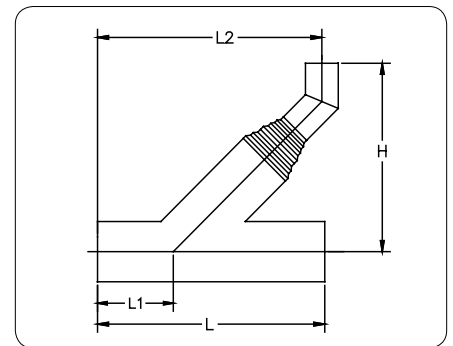
		SDR 33 / ISO S-16 / PN 3.2				
da	OD	L	L1	L2		Item No.
mm	Nom.	mm	mm	mm		
160x63	6" x 2"	610	203	610		B.YR.1663.33
160x90	6" x 3"	610	203	610		B.YR.1690.33
160x110	6" x 4"	610	203	610		B.YR.1611.33
200x110	8" x 4"	762	254	762		B.YR.2011.33
200x160	8" x 6"	762	254	762		B.YR.2016.33
250x110	10" x 4"	914	305	914		B.YR.2511.33
250x160	10" x 6"	914	305	914		B.YR.2516.33
250x200	10" x 8"	914	305	914		B.YR.2521.33
315x160	12" x 6"	1,067	356	1,067		B.YR.3116.33
315x200	12" x 8"	1,067	356	1,067		B.YR.3120.33

Reducing Lateral with 1/8 Bend

Product YRB
Grey PPR
Fabricated

Latérales à réduit avec coude 1/8

Produit YRB
PPG gris
Fabriqué



		SDR 33 / ISO S-16 / PN 3.2				
da	OD	L	L1	L2	H	Item No.
mm	Nom.	mm	mm	mm	mm	
160x110	6" x 4"	610	203	406	572	B.YRB.1611.33
200x110	8" x 4"	762	254	508	603	B.YRB.2011.33
200x160	8" x 6"	762	254	508	591	B.YRB.2016.33
250x110	10" x 4"	914	305	610	716	B.YRB.2511.33
250x160	10" x 6"	914	305	610	743	B.YRB.2516.33
250x200	10" x 8"	914	305	610	737	B.YRB.2521.33
315x160	12" x 6"	1,067	356	711	870	B.YRB.3116.33
315x200	12" x 8"	1,067	356	711	857	B.YRB.3120.33

Polypropylene Piping System

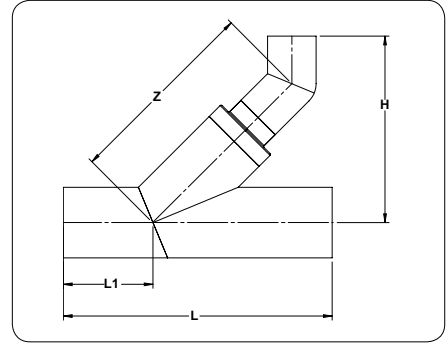
Butt Fusion SDR 33

Reducing Sanitary Tees

Product RST
Grey PPR
Fabricated

Tés sanitaires à réduit

Produit RST
PPG gris
Fabriqué



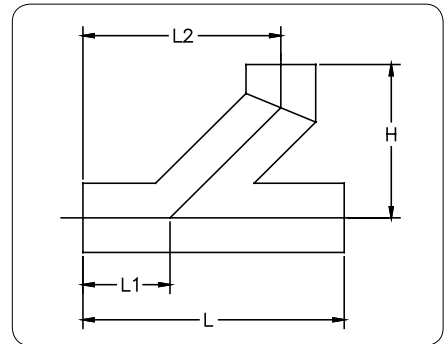
		SDR 33 / ISO S-16 / PN 3.2					
da	OD	L	L1	Z	H		
mm	Nom.	mm	mm	mm	mm	Item No.	
110x63	4"x2"	457	152	267	270	B.RST.1163.33	
110x90	4"x3"	457	152	267	292	B.RST.1190.33	
160x63	6"x2"	610	203	381	349	B.RST.1663.33	
160x90	6"x4"	610	203	381	375	B.RST.1611.33	
200x110	8"x4"	762	254	432	432	B.RST.2011.33	
200x160	8"x6"	762	254	432	514	B.RST.2016.33	
250x110	10"x4"	914	305	533	486	B.RST.2511.33	
250x160	10"x6"	914	305	533	533	B.RST.2516.33	
250x200	10"x8"	914	305	610	600	B.RST.2521.33	
315x160	12"x6"	1,067	356	711	660	B.RST.3116.33	
315x200	12"x8"	1,067	356	737	692	B.RST.3120.33	

Sanitary Tee

Product ST
Grey PPR
Fabricated

Tés sanitaires

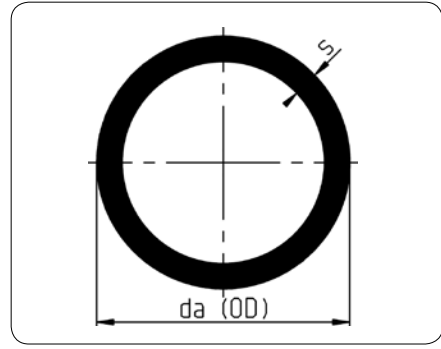
Produit RST
PPG gris
Fabriqué



		SDR 11 / ISO S-5 / PN 10					
da	OD	L	L1	L2	H		
mm	Nom.	mm	mm	mm	mm	Item No.	
110	4"	457	152	305	229	B.ST.0110.33	
160	6"	610	203	406	318	B.ST.0160.33	
200	8"	762	254	508	394	B.ST.0200.33	
250	10"	914	305	610	470	B.ST.0250.33	
315	12"	1,067	356	711	552	B.ST.0315.33	

Polypropylene Piping System

Pipe SDR 11



Pipe

Product 705
Homopolymer
Grey PPH

Tuyau

Produit 705
Homopolymère
PPH gris

da		SDR 11 / S-5 / PN 10			
mm	Nom.	s	Weight	Item No.	
mm		mm	Poids		
			kg/m		
16	3/8"	1.8	0.08	B.705.0016.11	
20	1/2"	1.9	0.14	B.705.0020.11	
25	3/4"	2.3	0.19	B.705.0025.11	
32	1"	2.9	0.26	B.705.0032.11	
40	1-1/4"	3.7	0.41	B.705.0040.11	
50	1-1/2"	4.6	0.64	B.705.0050.11	
63	2"	5.8	1.01	B.705.0063.11	
75	2-1/2"	6.8	1.40	B.705.0075.11	
90	3"	8.2	2.02	B.705.0090.11	
110	4"	10.0	3.01	B.705.0110.11	

* Weights are per meter, supplied in 5 meter (16.5 ft.) lengths.
* Poids au mètre, fourni en longueurs de 5 mètres (16.5 pieds).

Polypropylene Piping System



Socket Couplings

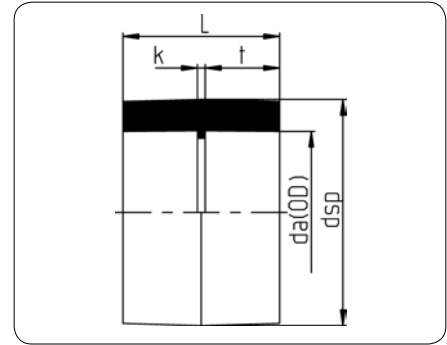
Product 053

Grey PPR
Injection moulded
Socket welding

Accouplements de Douille

Produit 053

PPR gris
Moulé à injection
Soudure à douille



da OD		SDR 7.4 / ISO S-3.2 / PN20					
mm	Nom.	dsp	L	k	t	Weight Poids kg	Item No.
20	1/2"	29.4	35	3	16.0	0.01	B.053.0020.07
25	3/4"	35.1	39	3	18.0	0.02	B.053.0025.07
32	1"	43.2	43	3	20.0	0.03	B.053.0032.07
40	1-1/4"	51.8	47	3	22.0	0.04	B.053.0040.07
50	1-1/2"	64.4	52	4	24.0	0.06	B.053.0050.07
63	2"	81.3	60	2	29.0	0.11	B.053.0063.07
75	2-1/2"	92.5	70	3	33.5	0.15	B.053.0075.07
90	3"	115.0	79	6	37.0	0.30	B.053.0090.07
110	4"	133.8	90	6	42.0	0.41	B.053.0110.07

90° Elbows

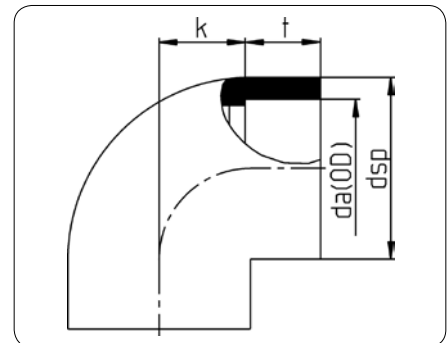
Product 051

Grey PPR
Injection moulded
Socket welding

Coudes 90°

Produit 051

PPR gris
Moulé à injection
Soudure à douille

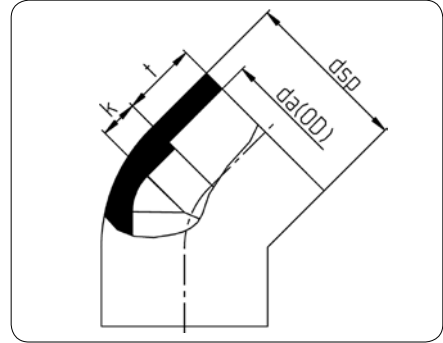


da OD		SDR 11 / ISO S-5 / PN 10				
mm	Nom.	dsp	k	t	Weight Poids kg	Item No.
20	1/2"	29.3	14	16	0.02	B.051.0020.07
25	3/4"	35.1	17	18	0.03	B.051.0025.07
32	1"	43.2	20	20	0.05	B.051.0032.07
40	1-1/4"	53.3	25	22	0.08	B.051.0040.07
50	1-1/2"	65.5	28	25	0.14	B.051.0050.07
63	2"	81.0	35	28	0.25	B.051.0063.07
75	2-1/2"	92.0	38	33	0.32	B.051.0075.07
90	3"	113.7	49	36	0.58	B.051.0090.07
110	4"	132.5	57	43	0.84	B.051.0110.07

* Socket fittings socket are SDR7.4 but when installed with SDR11 piping are rated to only SDR11. Mechanical socket fittings (flanges, unions) are automatically rated to PN10 pressures.

* Fittings socket ont un indice de SDR7.4, mais deviennent SDR11 quand installes avec la tuyauterie SDR11. Fittings socket mecaniques (brides, unions) ont automatiquement un indice de SDR11.

Polypropylene Piping System



45° Elbows

Product 050

Grey PPR
Injection moulded
Socket welding

Coudes 45°

Produit 050

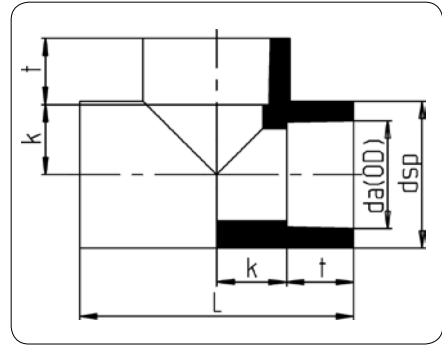
PPR gris
Moulé à injection
Soudure à douille

da OD		SDR 7.4 / ISO S-3.2 / PN20					Weight Poids kg	Item No.
		dsp	k	t				
mm	Nom.	mm	mm	mm				
20	1/2"	30	11.0	16.0		0.02	B.050.0020.07	
25	3/4"	35	14.0	18.0		0.03	B.050.0025.07	
32	1"	43	17.0	20.0		0.04	B.050.0032.07	
40	1-1/4"	53	21.0	22.0		0.07	B.050.0040.07	
50	1-1/2"	65	26.0	24.0		0.10	B.050.0050.07	
63	2"	81	33.0	29.0		0.18	B.050.0063.07	
75	2-1/2"	92	38.5	32.5		0.24	B.050.0075.07	
90	3"	113	46.0	37.0		0.44	B.050.0090.07	
110	4"	135	56.0	42.0		0.67	B.050.0110.07	

* Socket fittings socket are SDR7.4 but when installed with SDR11 piping are rated to only SDR11. Mechanical socket fittings (flanges, unions) are automatically rated to PN10 pressures.

* Fittings socket ont un indice de SDR7.4, mais deviennent SDR11 quand installes avec la tuyauterie SDR11. Fittings socket mecaniques (brides, unions) ont automatiquement un indice de SDR11.

Polypropylene Piping System



Tees

Product 056

Grey PPR
Injection moulded
Socket welding

Pièces en T

Produit 056

PPR gris
Moulé à injection
Soudure à douille

da OD		SDR 7.4 / ISO S-3.2 / PN20					
		dsp	L	k	t	Weight Poids kg	Item No.
mm	Nom.	mm	mm	mm	mm		
20	1/2"	29.1	60	14.0	16	0.03	B.056.0020.07
25	3/4"	35.2	70	17.0	18	0.04	B.056.0025.07
32	1"	43.0	80	21.0	20	0.07	B.056.0032.07
40	1-1/4"	53.0	94	25.0	22	0.10	B.056.0040.07
50	1-1/2"	65.0	108	30.0	24	0.18	B.056.0050.07
63	2"	81.0	131	36.5	29	0.30	B.056.0063.07
75	2-1/2"	93.0	155	34.0	31	0.45	B.056.0075.07
90	3"	114.0	185	51.0	37	0.82	B.056.0090.07
110	4"	134.0	205	57.0	44	1.08	B.056.0110.07

* Flange diameter d4 is slightly smaller than ANSI standard.

* Diamètre de la bride d4 est légèrement moindre que ANSI-standard.

* Socket fittings socket are SDR7.4 but when installed with SDR11 piping are rated to only SDR11. Mechanical socket fittings (flanges, unions) are automatically rated to PN10 pressures.

* Fittings socket ont un indice de SDR7.4, mais deviennent SDR11 quand installes avec la tuyauterie SDR11. Fittings socket mécaniques (brides, unions) ont automatiquement un indice de SDR11.

Polypropylene Piping System



Reducing Tees

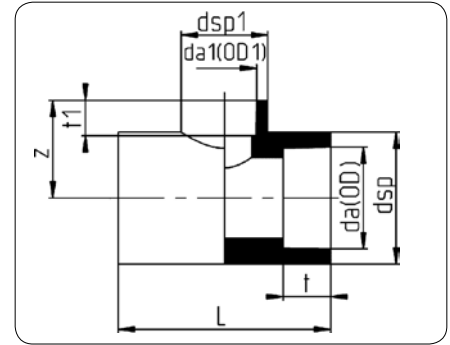
Product 055

Grey PPR
Injection moulded
Socket welding

Pièce en T Réduites

Produit 055

PPR gris
Moulé à injection
Soudure à douille



da/da1 OD/OD1 mm	SDR 7.4 / ISO S-3.2 / PN20							Weight Poids kg	Item No.
	dsp	dsp1	t	t1	L	z			
25/20	34.8	29.9	18	16	68.5	31.9	0.05	B.055.2520.07	
32/20	43.0	29.9	20	16	79.7	39.8	0.05	B.055.3220.07	
32/25	43.0	35.0	20	18	79.5	40.0	0.06	B.055.3225.07	
40/20	53.0	29.7	22	16	89.9	44.8	0.08	B.055.4020.07	
40/25	53.2	35.3	22	18	90.5	46.8	0.10	B.055.4025.07	
40/32	53.0	43.0	22	20	91.0	45.0	0.10	B.055.4032.07	
50/20	65.4	30.0	24	16	110.0	50.0	0.16	B.055.5020.07	
50/25	65.5	35.5	24	18	110.0	51.0	0.16	B.055.5025.07	
50/32	65.0	43.0	24	20	108.0	54.0	0.16	B.055.5032.07	
50/40	65.0	53.0	24	22	107.0	52.5	0.17	B.055.5040.07	
63/25	81.0	36.0	29	18	130.0	65.0	0.32	B.055.6325.07	
63/32	81.0	43.5	29	20	130.0	65.0	0.32	B.055.6332.07	
63/40	81.0	53.0	29	22	130.0	65.0	0.33	B.055.6340.07	
63/50	81.0	66.0	29	24	130.0	65.0	0.33	B.055.6350.07	

* Socket fittings socket are SDR7.4 but when installed with SDR11 piping are rated to only SDR11. Mechanical socket fittings (flanges, unions) are automatically rated to PN10 pressures.

* Fittings socket ont un indice de SDR7.4, mais deviennent SDR11 quand installés avec la tuyauterie SDR11. Fittings socket mécaniques (brides, unions) ont automatiquement un indice de SDR11.

Polypropylene Piping System



Concentric Reducers

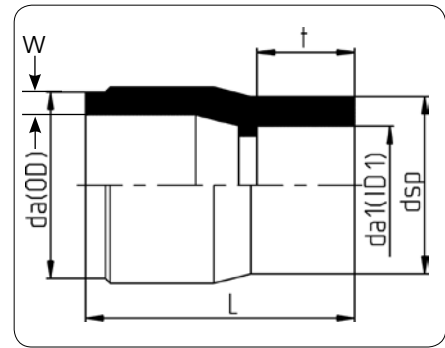
Product 057

Grey PPR
Injection moulded
Socket welding

Réducteurs Concentriques

Produit 057

PPR gris
Moulé à injection
Soudure à douille



da/da1 OD/OD1 mm	SDR 7.4 / ISO S-3.2 / PN20					Weight Poids kg	Item No.
	dsp mm	t mm	L mm	W mm			
25/20	30.0	16	39.0	2.3	0.01	B.057.2520.07	
32/20	30.0	16	45.5	2.9	0.02	B.057.3220.07	
32/25	35.0	18	45.0	2.9	0.02	B.057.3225.07	
40/20	29.5	16	50.0	3.7	0.02	B.057.4020.07	
40/25	34.5	18	50.0	3.7	0.02	B.057.4025.07	
40/32	42.8	20	50.0	3.7	0.03	B.057.4032.07	
50/20	29.4	16	55.0	4.6	0.03	B.057.5020.07	
50/25	34.7	18	55.0	4.6	0.03	B.057.5025.07	
50/32	43.7	20	55.0	4.6	0.04	B.057.5032.07	
50/40	52.8	22	55.0	4.6	0.05	B.057.5040.07	
63/25	34.8	18	65.0	5.8	0.06	B.057.6325.07	
63/32	42.9	20	65.0	5.8	0.06	B.057.6332.07	
63/40	52.8	22	65.0	5.8	0.07	B.057.6340.07	
63/50	64.8	24	65.0	5.8	0.07	B.057.6350.07	
75/63	81.5	29	64.0	6.8	0.11	B.057.7563.07	
90/63	80.8	29	87.8	8.2	0.18	B.057.9063.07	
90/75	93.0	32	86.6	8.2	0.18	B.057.9075.07	
110/63	81.2	29	90.0	10.0	0.25	B.057.1163.07	
110/90	113.8	37	88.7	10.0	0.29	B.057.1190.07	

* Socket fittings socket are SDR7.4 but when installed with SDR11 piping are rated to only SDR11. Mechanical socket fittings (flanges, unions) are automatically rated to PN10 pressures.

* Fittings socket ont un indice de SDR7.4, mais deviennent SDR11 quand installes avec la tuyauterie SDR11. Fittings socket mécaniques (brides, unions) ont automatiquement un indice de SDR11.

Polypropylene Piping System



End Caps

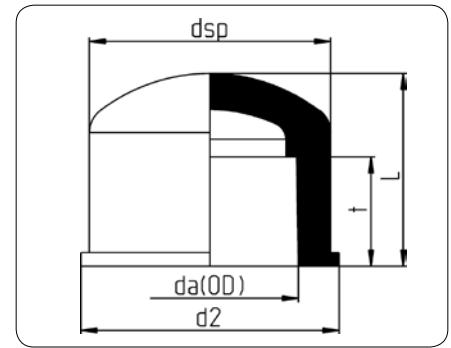
Product 054

Grey PPR
Injection moulded
Socket welding

Monture d'Embouts

Produit 054

PPR gris
Moulé à injection
Soudure à douille



da OD		SDR 7.4 / ISO S-3.2 / PN20					
		dsp	d2	L	t	Weight Poids kg	Item No.
mm	Nom.	mm	mm	mm	mm		
20	1/2"	29.0	32	26	16	0.01	B.054.0020.07
25	3/4"	35.0	38	30	18	0.01	B.054.0025.07
32	1"	43.0	47	35	20	0.02	B.054.0032.07
40	1-1/4"	52.5	58	38	22	0.03	B.054.0040.07
50	1-1/2"	64.5	70	50	24	0.07	B.054.0050.07
63	2"	82.0	87	59	29	0.13	B.054.0063.07
75	2-1/2"	92.5	98	67	32	0.16	B.054.0075.07
90	3"	113.0	119	77	37	0.28	B.054.0090.07
110	4"	135.0	141	94	42	0.42	B.054.0110.07

* Socket fittings socket are SDR7.4 but when installed with SDR11 piping are rated to only SDR11. Mechanical socket fittings (flanges, unions) are automatically rated to PN10 pressures.

* Fittings socket ont un indice de SDR7.4, mais deviennent SDR11 quand installés avec la tuyauterie SDR11. Fittings socket mécaniques (brides, unions) ont automatiquement un indice de SDR11.

Polypropylene Piping System



Female Threaded Adaptors – FNPT

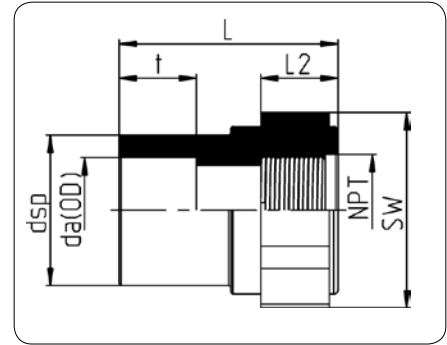
Product 034.1

Grey PPR
Injection moulded
Socket welding

Adaptateurs Filetés Femelles – FNPT

Produit 034.1

PPR gris
Moulé à injection
Soudure à douille



da OD		SDR 7.4 / ISO S-3.2 / PN20							Weight Poids kg	Item No.
mm	Nom.	NPT	dsp	L	t	L2	sw			
20	1/2"	1/2"	29.0	45.0	16	16	32	0.02	B.034.2021.07	
25	3/4"	3/4"	35.0	50.5	18	18	41	0.03	B.034.2526.07	
32	1"	1"	42.5	57.0	20	20	46	0.05	B.034.3233.07	
40	1-1/4"	1-1/4"	52.0	62.5	22	22	55	0.07	B.034.4041.07	
50	1-1/2"	1-1/2"	64.0	68.0	24	26	70	0.12	B.034.5051.07	
63	2"	2"	80.0	74.0	29	30	85	0.20	B.034.6364.07	

Male Threaded Adaptors – MNPT

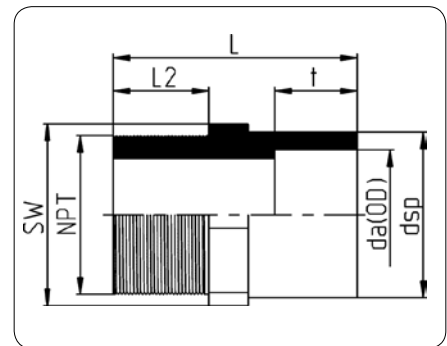
Product 035.1

Grey PPR
Injection moulded
Socket Welding

Adaptateurs Filetés Males – MNPT

Produit 035.1

PPR gris
Moulé à injection
Soudure à Douille



da OD		SDR 7.4 / ISO S-3.2 / PN20							Weight Poids kg	Item No.
mm	Nom.	NPT	dsp	L	t	L2	sw			
20	1/2"	1/2"	20	51	16	20	27	0.01	B.035.2026.07	
25	3/4"	3/4"	25	61	20	24	36	0.02	B.035.2533.07	
32	1"	1"	32	66	22	27	46	0.04	B.035.3241.07	
40	1-1/4"	1-1/4"	40	74	24	29	55	0.06	B.035.4051.07	
50	1-1/2"	1-1/2"	50	78	29	31	65	0.09	B.035.5064.07	
63	2"	2"	63	74	29	30	85	0.19	B.035.6364.07	

* Socket fittings socket are SDR7.4 but when installed with SDR11 piping are rated to only SDR11. Mechanical socket fittings (flanges, unions) are automatically rated to PN10 pressures.

* Fittings socket ont un indice de SDR7.4, mais deviennent SDR11 quand installés avec la tuyauterie SDR11. Fittings socket mécaniques (brides, unions) ont automatiquement un indice de SDR11.

Polypropylene Piping System



ANSI Flange Adaptors

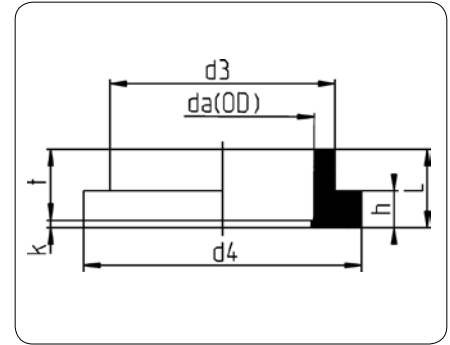
Product 052.1

Grey PPR
Injection moulded
Socket welding
Used together with Backing Rings
(page 45) for flange connections

Adapteurs de Bride ANSI

Produit 052.1

PPR gris
Moulé à injection
Soudure à douille
Utilisé avec des anneaux de support
(page 45) pour des raccords de bride



da		SDR 7.4 / ISO S-3.2 / PN20							Weight Poids kg	Item No.
mm	Nom.	d3	d4	h	L	k	t			
20	1/2"	27.0	44.5	10.0	21	5	16	0.01	B.052.1020.07	
25	3/4"	33.0	54.1	10.0	23	5	18	0.03	B.052.1025.07	
32	1"	40.8	63.5	10.0	26	6	20	0.03	B.052.1032.07	
40	1-1/4"	50.0	71.5	10.5	26	4	22	0.04	B.052.1040.07	
50	1-1/2"	61.5	82.5	13.0	30	6	24	0.06	B.052.1050.07	
63	2"	76.6	100.4	14.0	34	5	29	0.09	B.052.1063.07	
75	2-1/2"	91.2	117.0	16.0	38	6	32	0.14	B.052.1075.07	
90	3"	105.0	132.4	17.0	40	3	37	0.19	B.052.1090.07	
110*	4"	131.0	158.0	18.0	47	5	42	0.29	B.052.0110.07	

* Flange diameter d4 is slightly smaller than ANSI standard.
* Diamètre de la bride d4 est légèrement moindre que ANSI-standard.

Unions

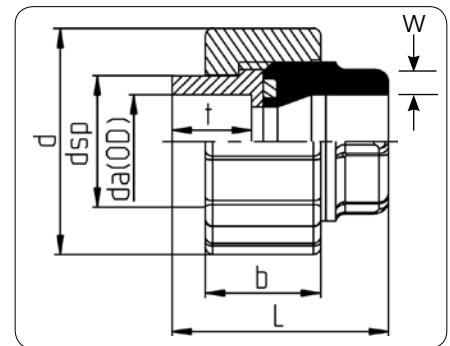
Product 024.1

Grey PPR
with Viton O-Rings*
Injection moulded
Socket welding

Unions

Produit 024.1

Grey PPR
avec bague de Viton*
Moulé à injection
Soudure à Douille



da		SDR 7.4 / ISO S-3.2 / PN20						Weight Poids kg	Item No.
mm	Nom.	dsp	L	t	d	b	W		
20	1/2"	27.3	45	16.0	47	24	3.5	0.04	B.024.1120.07
25	3/4"	35.7	49	18.0	57	26	5.0	0.06	B.024.1125.07
32	1"	41.3	53	20.0	64	30	4.5	0.08	B.024.1132.07
40	1-1/4"	52.8	59	22.0	78	31	6.0	0.13	B.024.1140.07
50	1-1/2"	58.6	67	24.5	89	35	4.0	0.18	B.024.1150.07
63	2"	73.6	79	29.0	109	39	5.0	0.30	B.024.1163.07

* EPDM or PTFE covered O-rings are also available.
* Les bagues d'EPDM ou couvertes de PTFE sont également disponibles
* Socket fittings socket are SDR7.4 but when installed with SDR11 piping are rated to only SDR11. Mechanical socket fittings (flanges, unions) are automatically rated to PN10 pressures.
* Fittings socket ont un indice de SDR7.4, mais deviennent SDR11 quand installés avec la tuyauterie SDR11. Fittings socket mécaniques (brides, unions) ont automatiquement un indice de SDR11.

Polypropylene Piping System

Valves

T-Diaphragm Valves

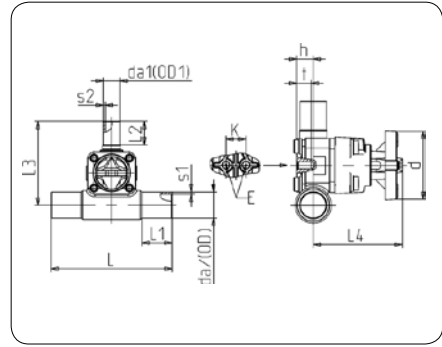
Manually Operated
Product 343

Grey Pure PP
EPDM/PTFE Diaphragm

Vannes Diaphragme-T

Contrôlée Manuellement
Produit 343

PP-gris
Diaphragme en PTFE/EPDM



SDR 11 / ISO S-5 / PN10							
da/da1 OD/OD1 mm	c _v	s mm	s1 mm	L mm	h mm	Weight Poids kg	Item No.
20/20	c.f.	1.9	1.9	164	16.2	0.46	B.343.2021.11
25/20	c.f.	2.3	1.9	164	16.2	0.49	B.343.2521.11
25/25	c.f.	2.3	2.3	164	16.2	0.47	B.343.2526.11
32/20	c.f.	2.9	1.9	164	19.0	0.68	B.343.3221.11
32/25	c.f.	2.9	2.3	164	19.0	0.68	B.343.3226.11
32/32	13.65	2.9	2.9	164	19.0	0.67	B.343.3233.11
40/20	13.93	3.7	1.9	184	20.0	0.72	B.343.4021.11
40/25	14.35	3.7	2.7	184	20.0	0.72	B.343.4026.11
40/32	14.70	3.7	2.9	184	20.0	0.72	B.343.4033.11
50/20	15.12	4.6	1.9	184	22.0	0.77	B.343.5021.11
50/32	15.96	4.6	2.9	184	22.0	0.77	B.343.5033.11
63/32	16.80	5.8	2.9	184	22.0	0.83	B.343.6333.11

da/da1 OD/OD1 mm	L mm	L1 mm	L2 mm	L3 mm	L4 mm	h mm	d mm	t mm	K	E
20/20	164	36	36	112.0	107.0	16.2	85	17	25.0	M6
25/20	164	36	36	115.5	107.0	16.2	85	17	24.5	M6
25/25	164	36	36	115.5	107.0	16.2	85	17	24.5	M6
32/20	164	36	36	122.0	107.0	19.0	85	17	24.5	M6
32/25	164	36	36	122.0	107.0	19.0	85	17	24.5	M6
32/32	164	36	36	122.0	107.0	19.0	86	17	24.5	M6
40/20	184	46	36	127.0	108.9	20.0	85	17	24.5	M6
40/25	184	46	36	127.0	108.9	20.0	85	17	24.5	M6
40/32	184	46	36	127.0	113.9	20.0	85	17	24.5	M6
50/20	184	46	36	131.5	111.6	22.0	85	17	24.5	M6
50/32	184	46	36	131.5	116.6	22.0	85	17	24.5	M6
63/32	184	46	36	138.0	116.6	22.0	85	17	24.5	M6

Polypropylene Piping System

Valves

Diaphragm Valves

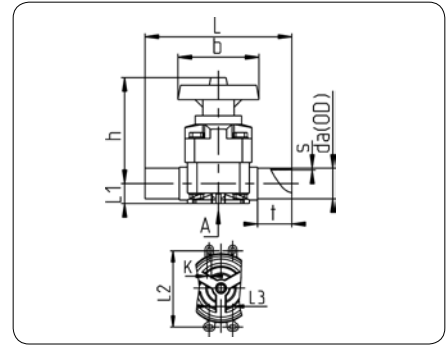
Manually Operated
Product 342.15

Grey Pure PP
One Piece PTFE/EPDM Diaphragm
Contact or IR Butt Fusion

Vannes à Diaphragme

Controllee Manuellement
Produit 342.15

PP-gris
Diaphragme PTFE/EPDM d'une pièce
Fusion Bout à Bout IR ou Contact



da OD		SDR 11 / ISO S-5 / PN 10							Weight Poids kg	Item No.
mm	Nom	s	L	L1	L2	L3	h			
20	1/2"	1.9	133	16.5	24.5	0.0	100	0.443	B.342.1520.11	
25	3/4"	2.7	144	16.5	24.5	0.0	100	0.449	B.342.1525.11	
32	1"	2.9	154	20.5	24.5	0.0	107	0.643	B.342.1532.11	
40	1-1/4"	3.7	193	25.5	44.0	0.0	144	1.484	B.342.1540.11	
50	1-1/2"	4.6	194	32.0	44.0	0.0	144	1.464	B.342.1550.11	
63	2"	5.8	224	38.5	44.0	0.0	170	2.259	B.342.1563.11	
75	2-1/2"	6.8	284	25.0	230.0	0.0	254	5.090	B.342.1575.11	
90	3"	8.2	300	25.0	230.0	0.0	254	5.130	B.342.1590.11	
110	4"	10.0	340	25.0	280.0	85.0	320	9.920	B.342.1511.11	

Check Valve with Spring

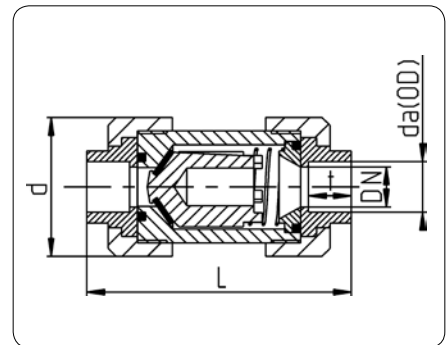
Product 336.13

Grey Pure PP
FPM Seals
Injection moulded
Butt (IR or Contact) fusion

Clapets anti-retour avec ressort

Produit 336.13

PP-gris
Joints Toriques FPM
Moulé à injection
Bout fusion (IR ou contact)



da OD		SDR 11 / Max. 150 psi (10 bar)					Weight Poids kg	Item No.
mm	DN	L	L1	d				
20	15	124.0	61	53.0	0.11	B.336.1320.11		
25	20	143.0	69	63.0	0.17	B.336.1325.11		
32	25	151.0	72	70.5	0.23	B.336.1332.11		
40	32	171.0	83	85.5	0.37	B.336.1340.11		
50	40	190.5	94	100.5	0.59	B.336.1350.11		
63	50	220.0	108	118.0	0.92	B.336.1363.11		
75	65	279.0	135	151.0	1.88	B.336.1375.11		

Polypropylene Piping System

Accessories

ANSI Backing Rings

Product 013

Grey PPG

Glass Filled Polypropylene

Injection Moulded with Steel Core

Used together with Stub Flanges for flange connections

Anneaux de Support de Norme ANSI

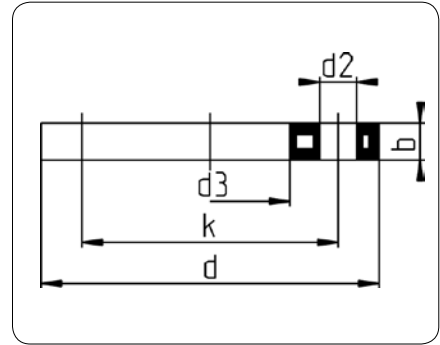
Produit 013

PPG-gris

Polypropylène rempli de fibre de verre

Moulé à injection avec insertion en acier

Utilisé avec des brides de moignon pour des raccords de bride



da OD		Maximum Operating Pressure 150 psi (10 bar)										
		d	d3	b	k		d2		No. of Bolts	Torque ft-lbs.	Weight Poids kg	Item No.
mm	Nom.	mm	mm	mm	mm	Nom.	mm	Nom.				
20	1/2"	95	28	12	60	2-3/8"	16	5/8"	4	11.1	0.21	B.013.0020.11
25	3/4"	102	34	12	70	2-3/4"	16	5/8"	4	11.1	0.24	B.013.0025.11
32	1"	114	42	16	79	3-1/8"	16	5/8"	4	11.1	0.39	B.013.0032.11
40	1-1/4"	130	51	16	89	3-1/2"	16	5/8"	4	18.4	0.51	B.013.0040.11
50	1-1/2"	133	62	18	99	3-7/8"	16	5/8"	4	25.8	0.55	B.013.0050.11
63	2"	162	78	18	121	4-3/4"	20	3/4"	4	25.8	0.82	B.013.0063.11
75	2-1/2"	184	92	18	140	5-1/2"	20	3/4"	4	29.5	1.07	B.013.0075.11
90	3"	194	111	18	152	6"	20	3/4"	4	29.5	1.07	B.013.0090.11
110/125	4"	229	133	18	191	7-1/2"	20	3/4"	8	29.5	1.57	B.013.0110.11
160	6"	283	178	24	241	9-1/2"	22	7/8"	8	44.3	2.48	B.013.0160.11
200/225	8"	345	236	24	298	11-3/4"	22	7/8"	8	51.6	3.50	B.013.0200.11
250	10"	412	288	27	362	14-1/4"	25	1"	12	73.8	6.02	B.013.0250.11
315	12"	487	338	32	432	17"	25	1"	12	81.1	12.89	B.013.0315.11

Polypropylene Piping System

Accessories

Pipe Clips

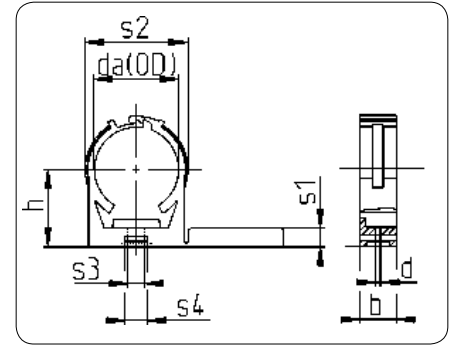
Snap-in Type with Spacer
Product 348

Black PPG
Glass Filled Polypropylene
Includes fold-over spacer plate to allow greater clearances

Supports de Tuyau

Type à agrafe avec entretoise
Produit 348

PPG noir
Polypropylène rempli de fibre de verre
Inclut plat d'entretoise repliable pour permettre de plus grands dégagements



da OD mm	h mm	s1 mm	s2 mm	b mm	s3 mm	d mm	s4 mm	Weight Poids kg	Item No.
20	27.0	6.0	29	14.0	6.5	6.5	9	0.01	BB.348.0020.00
25	30.0	10.0	34	16.0	6.5	6.5	9	0.01	BB.348.0025.00
32	31.5	11.5	39	16.0	6.5	6.5	9	0.01	BB.348.0032.00
40	37.0	14.0	50	17.5	6.5	6.5	9	0.02	BB.348.0040.00
50	41.0	15.0	56	20.0	6.5	6.5	9	0.03	BB.348.0050.00

Pipe Clips

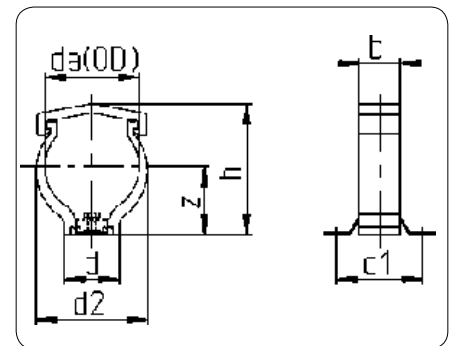
Retainer Type
Product 049

Black PPG
Glass Filled Polypropylene
Includes snap-on retainer

Supports de Tuyau

Type Arrêtoir
Produit 049

PPG noir
Polypropylène rempli de fibre de verre
Inclut arrêtoir à agrafe



da OD mm	z mm	h mm	d2 mm	b mm	d mm	d1 mm	Weight Poids kg	Item No.
63	52	94	78	30	53	84	0.13	BB.049.0063.00
75	61	112	94	40	55	82	0.16	BB.049.0075.00
90	67	128	108	40	57	82	0.20	BB.049.0090.00
110	71	152	137	40	71	82	0.30	BB.049.0110.00
125	85	173	164	60	91	110	0.58	BB.049.0125.00
140	108	198	164	60	110	110	0.63	BB.049.0140.00
160	116	217	184	60	120	110	0.60	BB.049.0160.00
180	136	251	211	60	137	110	1.02	BB.049.0180.00
200	148	268	238	60	145	110	1.10	BB.049.0200.00
225	158	291	261	60	167	110	1.28	BB.049.0225.00

Polypropylene Piping System



Accessories

Pipe Clips

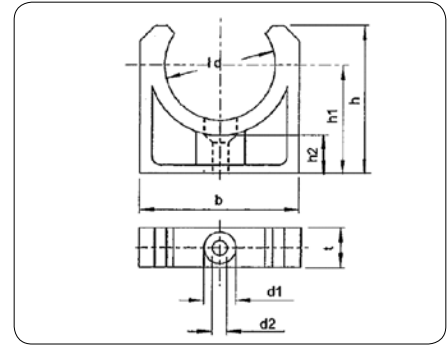
Low Cost Snap-in Type
Product - CLIP

Grey PP*
Prices are each,
Sold by the carton

Supports de Tuyau

Type prix réduit à clic
Produit - CLIP

PP gris*
Prix à l'unité,
Seulement vendu au carton plein



da OD mm	b mm	d1 mm	d2 mm	h mm	h1 mm	h2 mm	t mm	Weight Poids kg	Item No.	Carton Quantity
20	32	10	5.0	34	25	11	16	0.190	CLIP.0020.B	20
25	41	11	5.5	35	26	12	17	0.225	CLIP.0025.B	20
32	49	11	5.5	44	30	11	16	0.300	CLIP.0032.B	20

* Also available in black HDPE (high density polyethylene). Change PP to PE in item number.

* Aussi disponible en PE (polyéthylène noir). Changez PP à PE dans le numero de produit.

Pipe Clips

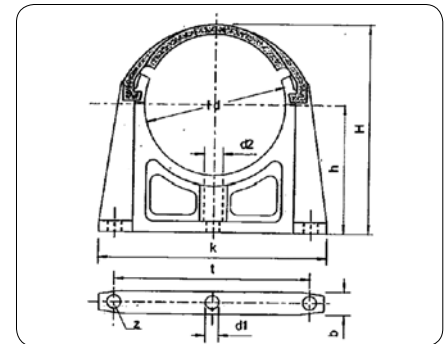
Low Cost Retainer Type
Product - CLIP

Grey PP*
Includes snap-on PVC retainer,
Sold by the carton

Supports de Tuyau

À Bas Prix avec Retenue
Produit - CLIP

PP gris*
Retenue de PVC "snap-in" inclus
Seulement vendu au carton plein



da OD mm	b mm	d1 mm	d2 mm	H mm	h mm	k mm	s mm	t mm	z mm	Weight Poids kg	Item No.	Carton Quantity
40	25	7	14.5	68	43	58	8	-	1	0.30	CLIP.0040.B	10
50	25	7	14.5	77	47	69	8	-	1	0.38	CLIP.0050.B	10
63	25	9	17.5	94	57	84	8	-	1	0.52	CLIP.0063.B	10
75	30	9	17.5	107	64	126	10	109	3	0.94	CLIP.0075.B	10
90	30	9	17.5	124	73	143	10	125	3	1.23	CLIP.0090.B	10
110	30	9	17.5	146	85	163	10	145	3	1.52	CLIP.0110.B	10
125	40	9	17.5	187	117	183	10	165	3		CLIP.0125.B	10
140	40	9	17.5	209	132	199	10	181	3		CLIP.0140.B	10
160	40	9	17.5	238	150	220	10	202	3		CLIP.0160.B	10

* Also available in black HDPE (high density polyethylene). Change PP to PE in item number.

* Aussi disponible en PE (polyéthylène noir). Changez PP à PE dans le numero de produit.

Sanitary Joint Gaskets

Product 379

FPM

Used together with sanitary adaptors and clamps

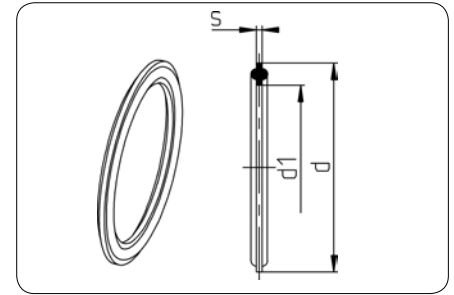
Joint d'étanchéité sanitaires

Produit 379

FPM

Utilisé avec des adaptateurs sanitaires et clapets

Dimension mm	s mm	d mm	d1 mm	Weight Poids kg	Item No.	Price Prix
20	1.8	50.5	18.1	0.014	V.379.0020.21	42.20
25	1.8	50.5	22.4	0.015	V.379.0025.21	45.20
32	1.8	50.5	29.9	0.009	V.379.0032.21	51.00
40	1.8	64.0	38.4	0.017	V.379.0040.21	59.50
50	1.8	64.0	44.2	0.016	V.379.0050.21	66.90
63	1.8	77.5	60.3	0.018	V.379.0063.21	76.20



Sanitary Adaptor Clamps

Product 048

316 Stainless Steel

Used together with sanitary adaptors and gaskets

Clapets d'adpteurs sanitaires

Produit 048

Acier inox 316

Utilisé avec des adaptateurs sanitaires et joints d'étanchéité sanitaires

Dimension mm	d mm	b mm	Weight Poids kg	Item No.
20/25/32	50.5	88.0	0.232	S.048.2032.21
40/50	64.0	107.0	0.335	S.048.4050.21
63	77.5	125.0	0.375	S.048.0063.21

