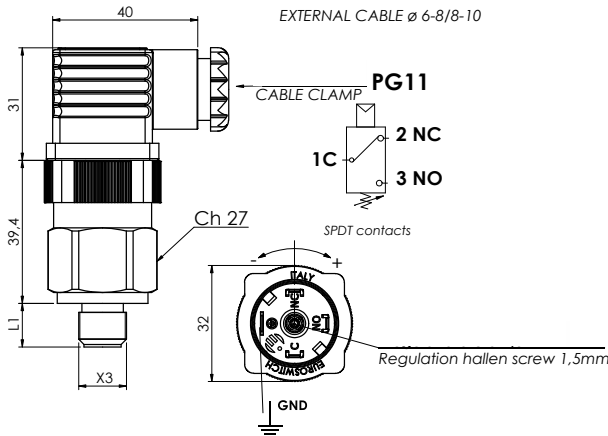




Version ATEX / IECEx available on request

Version UL 508 FILE N° E478896 CSA C22.2.NO.14-13 available on request



| PART NUMBER | Setting range bar | Tolerance at 20°C bar |
|--------------|-------------------|-----------------------|
| 48 2 ▲ ● 1 6 | 50 ÷ 200 | ± 2 ÷ 10 |
| 48 2 ▲ ● 1 7 | 200 ÷ 400 | ± 4 ÷ 15 |

▲ **Material Case**

- 0 Zinc plated steel case
- 2 Stainless steel AISI 316 *
- 5 Stainless steel AISI 303 *

* Standard G1/4" Parallel

● **Threads (X3)**

- 2 1/4" BSPT (Taper)
- H 1/4" BSP (Parallel)

L1

- 12
- 12

| | | |
|---|---|--------------------|
| Electric contacts | Silver | |
| Regulation screw | Allen Key 1,5 mm | |
| Max fluid temperature | 100°C | |
| Electrical condition | SPDT (exchange contact) | |
| Electrical characteristics | 5 (4) A / 14 Vdc | UL Version |
| | 4 (3) A / 30 Vdc | 3 A / 30 Vdc |
| | 5 (3) A / 125 Vac | 3 A / 125 Vac |
| | 3 (2) A / 250 Vac | 3 (3A) A / 250 Vac |
| Max Overpressure limit | Zinc plated steel 900 bar | 425 bar |
| | Stainless steel 900 bar | 425 bar |
| Max Working pressure | Zinc plated steel 450 bar | 400 bar |
| | Stainless steel 450 bar | 400 bar |
| Fixed Hysteresis | approximately 10÷40% depending of setting value | |
| Mechanical working life | 10 ⁶ operations | |
| Tightening torque max | 50 Nm | |
| Protection degree | IP65 | |
| with connector according to UNI EN 175301-803 (DIN43650) | | |
| ■ Seal | NBR + Teflon (-15°C to 100°C) | |
| Weight | ~ 120 gr | |