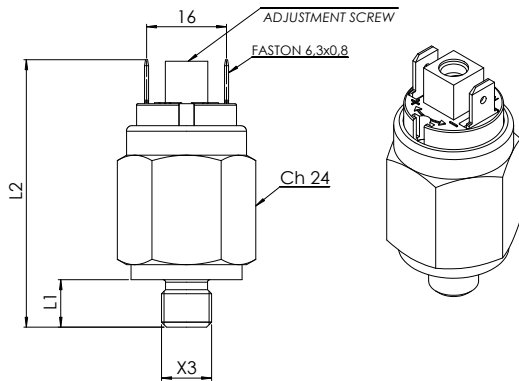


DIAPHRAGM PRESSURE SWITCH
OVER PRESSURE LIMIT 600 BAR

41B 41C



Part Number		Setting range bar	Tolerance at 20°C bar
Zinc plated steel case			
electrical contact			
norm. open	norm. closed		
41B 1 0 ● ■ 2	41B 2 0 ● ■ 2	1 - 10	± 0.5
41B 1 0 ● ■ 3	41B 2 0 ● ■ 3	10 - 20	± 1
41C 1 0 ● ■ 4	41C 2 0 ● ■ 4	20 - 50	± 2
41C 1 0 ● ■ 5	41C 2 0 ● ■ 5	50 - 150	± 5

● Threads (X3)	L1	L2 (mm)	■ Diaphragms	Operating Temperature
1 1/8" BSPT (Taper)	10	54	1 NBR	-15°C to 100°C
2 1/4" BSPT (Taper)	12	56	2 FKM (standard)	-10°C to 120°C
3 M10x1K (Taper)	10	54	3 EPDM CH	-25°C to 120°C
5 1/8" NPT	10	54	4 CR	-20°C to 80°C
6 1/4" BSP (Parallel)	12	56	6 HNBR	-30°C to 120°C

Case	Zinc plated steel
Electric contacts	Silver AgNi, on request gold plated
Electrical condition	N.O. (Red) or N.C. (blue)
Max switched voltage	48 V ac / dc (250V on request)
Max switched current	0.5 A
Max fluid temperature	80° a 120°C depending on diaphragm
Mechanical working life	41B 10 ⁵ operations 41C 10 ⁶ operations
Electrical working life	10 ⁵ operations
Max Overpressure limit	600 bar
Max Working pressure	300 bar
Protection degree	IP 00
with cover 3015001	IP 54
with cap 3900001	IP 65
with connector 3900200	IP 65
In accordance with	EN 60730-I
Weight	~ 70 gr

DIAPHRAGM PRESSURE SWITCH
OVER PRESSURE LIMIT 600 BAR
PROTECTION CAPS AND CONNECTORS

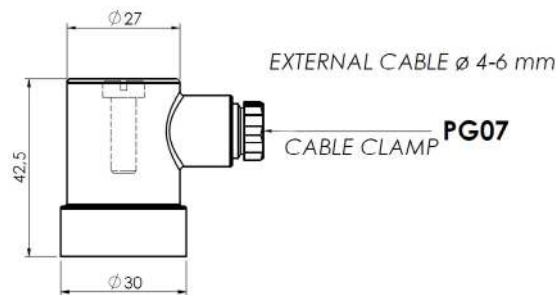
41B 41C



Rubber Protective Cap

IP54 IP65
3015001

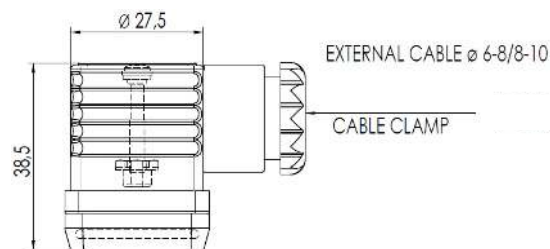
Suitable for models: 21 - 30 - 31 - 32 - 35 - 37 - 40 - 41- 41V - 41BC - 42 - 506



Plastic Protective Cap

IP65
3900001

Suitable for models: 21 - 30 - 31 - 32 - 35 - 37 - 40 - 41- 41V - 41BC - 42 - 506



Protective connector

IP65
3900200

Suitable for models: 30 - 31 - 32 - 35 - 37 - 40 - 41 - 41BC - 42 - 506