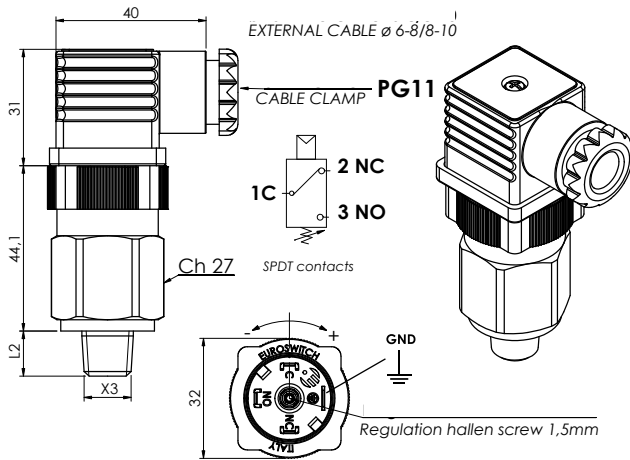




Version ATEX / IECEx available on request

Version UL 508 FILE N° E478896 CSA C22.2.NO.14-13 available on request



PART NUMBER

Mod. 38		
<i>electrical contact</i>	<i>Setting range</i> m bar	<i>Tolerance at 20°C</i> m bar
<i>norm. open</i>		
38 2 1 ● ■ 9	-200 / - 900	± 100

● Threads (X3)	L2 (mm)
1 1/8" BSPT (Taper)	10
2 1/4" BSPT (Taper)	12
G 1/8" BSP (Parallel)	10
H 1/4" BSP (Parallel)	12

Case	Brass	
Electric contacts	Silver	
Regulation screw	Allen Key 1,5 mm	
Max fluid temperature	80° to 120°C depending on diaphragm	
Electrical condition	SPDT (exchange contact)	
Electrical characteristics	5 (4) A / 14 Vdc	UL Version
	4 (3) A / 30 Vdc	3 A / 30 Vdc
	5 (3) A / 125 Vac	3 A / 125 Vac
	3 (2) A / 250 Vac	3 (3A) A / 250 Vac
Max Overpressure limit	15 bar	15 bar
Max Working pressure	10 bar	2,5 bar
Fixed Hysteresis	about 0,15 bar	
Mechanical working life	10 ⁶ operations	
Tightening torque max	25 Nm	
Protection degree	IP65	
with connector according to UNI EN 175301-803 (DIN43650)		
Diaphragms	■ NBR (oil) ■ CR (air) (-15°C to 100°C)	
Weight	~ 140 gr	