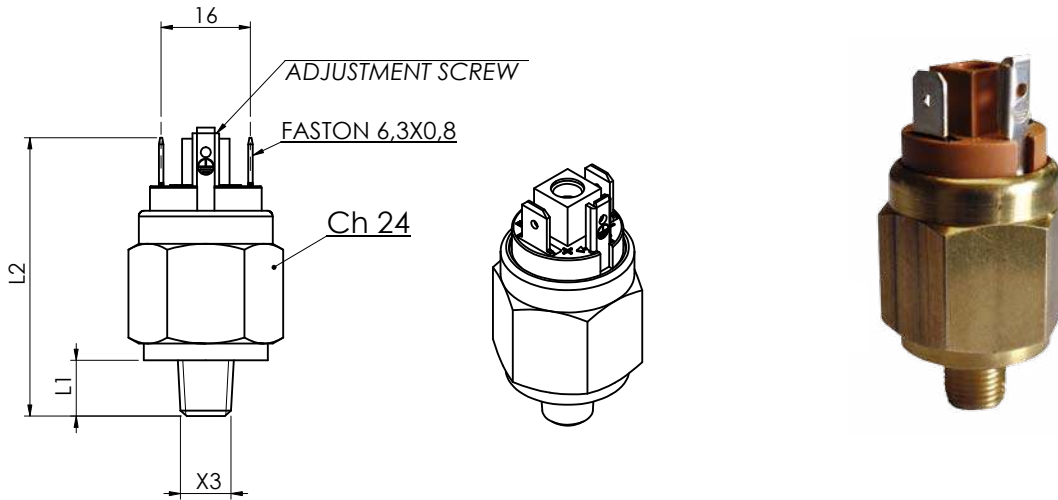
 A richiesta disponibile la versione certificata ATEX  
Version ATEX available on request



Part Number		Setting range m bar	Tolerance at 20 ° C m bar
Mod. 37			
electrical contact norm. open	electrical contact norm. closed		
37 1 1 ● ■ 9	37 2 1 ● ■ 9	-200 / -900	± 100

● Threads (X3)	L1	L2 (mm)
1 1/8" BSPT (Taper)	10	50
2 1/4" BSPT (Taper)	12	52
3 M10x1 (Taper)	10	50
5 1/8" NPT	10	50

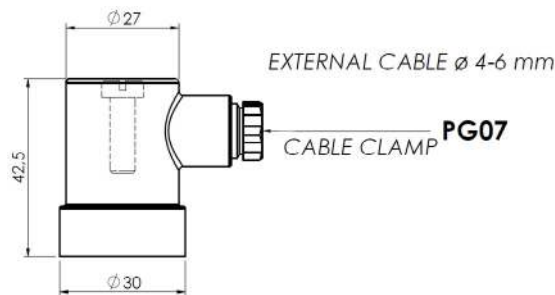
<b>Case</b>	Brass (on request Stainless Steel)
<b>Electric contacts</b>	Silver AgNi, on request gold plated
<b>Electrical connection</b>	N.O. (White) N.C. (Brown)
<b>Max switch voltage</b>	250V
<b>Max switch current</b>	0,5A
<b>Max fluid temperature</b>	80°-120°C (depending on diaphragm)
<b>Max Overpressure limit</b>	15 bar
<b>Max Working pressure</b>	10 bar
<b>Mech. and electrical working life</b>	10 <sup>8</sup> operations
<b>Electrical working life</b>	10 <sup>8</sup> operations
<b>In accordance with</b>	EN 60730-I
<b>Protection degree</b>	IP00
	with cover 3015001 IP54
	with cap. 3900001 IP65
	with DIN connector 3900200 IP65
<b>Insert diaphragm code</b>	1 NBR (oil) 4 CR (air) (-15°C to 100°C)
<b>Weight</b>	~ 70 gr



**Rubber Protective Cap**

**IP54 IP65**  
3015001

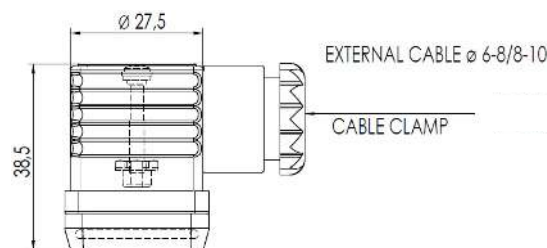
**Suitable for models:** 21 - 30 - 31 - 32 - 35 - 37 - 40 - 41 - 41V - 41BC - 42 - 506



**Plastic Protective Cap**

**IP65**  
3900001

**Suitable for models:** 21 - 30 - 31 - 32 - 35 - 37 - 40 - 41 - 41V - 41BC - 42 - 506



**Protective connector**

**IP65**  
3900200

**Suitable for models:** 30 - 31 - 32 - 35 - 37 - 40 - 41 - 41BC - 42 - 506