



SOLIBA PRP

ROTARY BLADE LEVEL INDICATORS

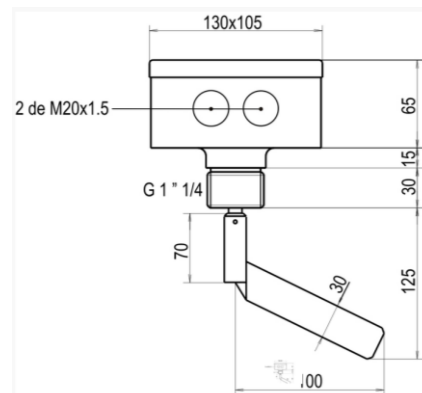
For grain silos, cereals, animal feeds

SOLIBA PRP rotary vane detectors are used to detect a high or low level of bulk products in silos, hoppers and containers.

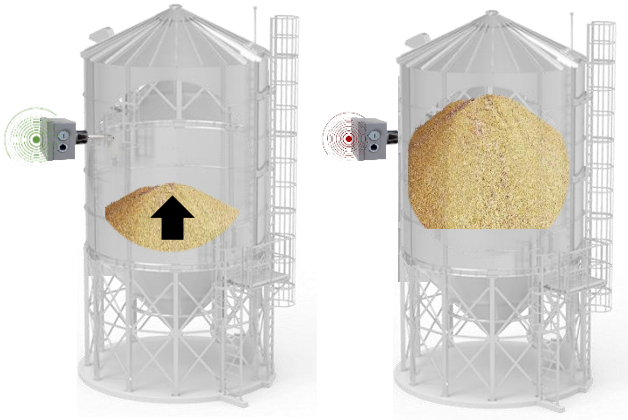
The detection palette is rotated by a motor. When the pallet is covered with product, the rotation is stopped, the signal is cut and the engine stops. When the level of bulk products decreases, the pallet is released, the signal is restored and the engine restarts.

Available are different vanes and process connections according to each product and tank size.

Operation mode	by rotation
Important specification	Only in non ATEX area
Measuring blade speed	5 rpm
Electric characteristics	230 VCA 50/60 Hz
Cut-out power	2 A
Maximum temperature	-20 - + 60°C
Protection index	IP 65 - 53
Vanes	Inoxidable AISI 304 o 316
Body	Glass fiber reinforced ABS
Float weight without cable	800 g



Dimension

FILLING – HIGH level

When the vanes is covered with product, the rotation is stopped, the detector stops filling the silo

EMPTYING - LOW level

When the silo is empty, the solid releases the vanes and informs that the silo is empty for filling



IMPORTANT! The SOLIBA PRP can also be used as an intermediate level to detect a given level. For the low level, we recommend using aluminum flange connection for better durability over time.