



100 % made in France



Fixcab

## ATS 165

### LEVEL SWITCH FOR AGITATED LIQUIDS

#### For waste water, sewage

This float level switch (NO or NC) allows the automation of small pumps (up to 1.5 HP) thanks to its microswitch of 20 A (400V) or unlimited through a relay.

Thanks to its wide switching angle of 165°, the BIP STOP protects the pump's engine and the electrical panels from jerking. This feature is highly appreciated in agitated liquids.

Also, the float can detect the both high and low level in the same tank whose hysteresis does not exceed 1.5 meter.

**Allowed fluid densities** 0,70 à 1,10 g/cm<sup>3</sup>

**Electric characteristics** 250 VCA /VCC 50/60 Hz

**Cut-out power** 20 (8) A

**Maximum pressure** 3,5 bars

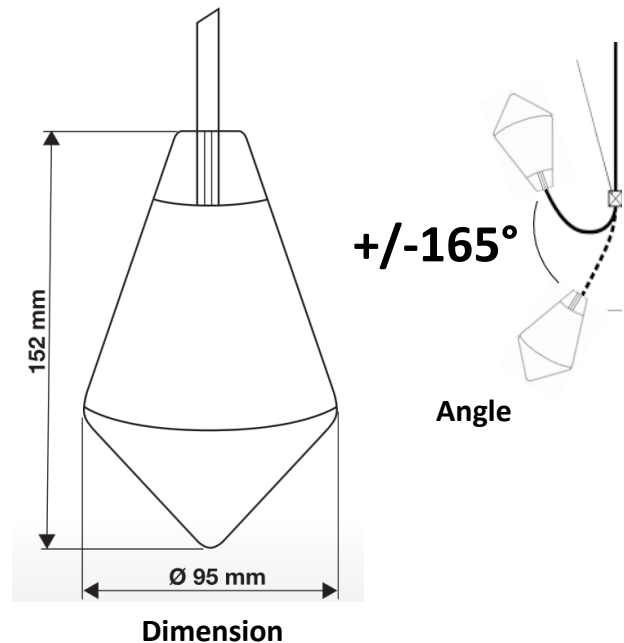
**Maximum temperature** 85 °C

**Protection index** IP 68

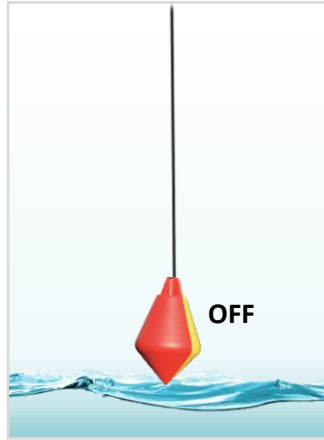
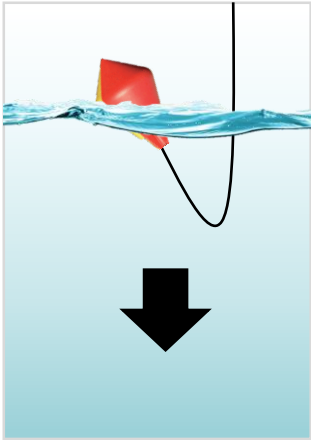
**Housing** Copolymer polypropylene

**Type of cable** Neoprene, HR HY 3x1 mm<sup>2</sup>

**Float weight without cable** 325 g



**EMPTYING**



The pump empties the tank.

When the fluid level drops below the float, the power goes off

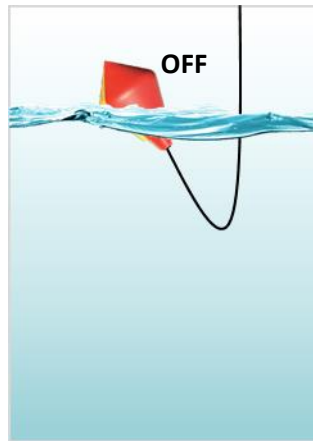
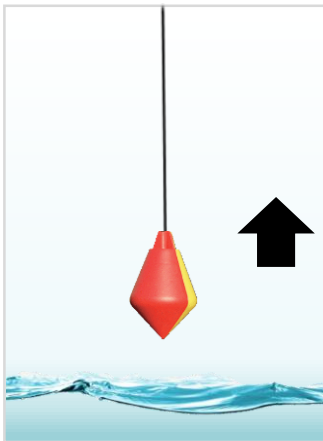
Connection

**Installations examples**



Connection to the pump.

**FILLING**



The pump fills the tank.

When the liquid reaches the float, it tilt shut off the power to the pump

Connection



Connecting to an alarm



Fixed with optional ballast