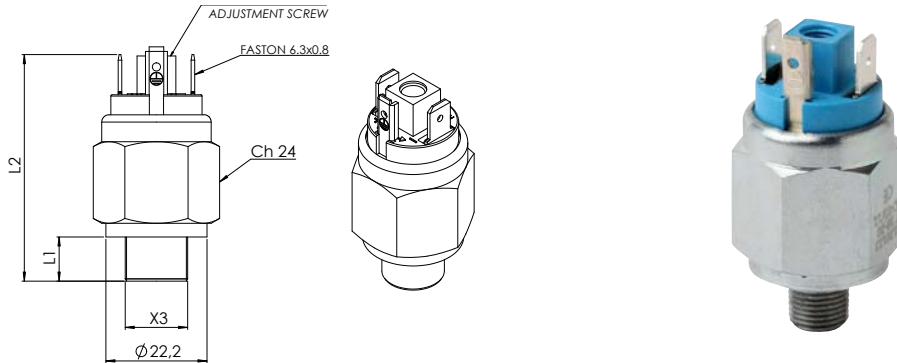


Ex Version ATEX available on request



Part Number						Setting range bar	Tolerance at 20°C bar						
electrical contact													
norm. open			norm. closed										
31	1	▲	●	■	0	31	2	▲	●	■	0	0.1 - 1	± 0.1
31	1	▲	●	■	A	31	2	▲	●	■	A	0.2 - 2	± 0.15
31	1	▲	●	■	1	31	2	▲	●	■	1	1 - 5	± 0.3
31	1	▲	●	■	2	31	2	▲	●	■	2	1 - 10	± 0.5
31	1	▲	●	■	3	31	2	▲	●	■	3	10 - 20	± 1.0
31	1	▲	●	■	4	31	2	▲	●	■	4	20 - 50	± 2.0

▲ Material Case	● Threads (X3)	L1	L2 (mm)	■ Diaphragms
0 Zinc plated steel case	1 1/8" BSPT (Taper)	10	51	1 NBR
1 Brass	2 1/4" BSPT (Taper)	12	53	2 FKM (standard)
2 Stainless steel AISI 316 *	3 M10x1K (Taper)	10	51	3 EPDM CH
5 Stainless steel AISI 303 *	4 M12x1,5 (Parallel)	9	50	4 CR
* Standard G1/4" Parallel	5 1/8" NPT	10	51	5 Silicon
	6 1/4" BSP (Parallel)	9,7	50,7	6 HNBR
	8 M10x1 (Parallel)	9,5	50,5	
	G 1/8" BSP (Parallel)	10	51	

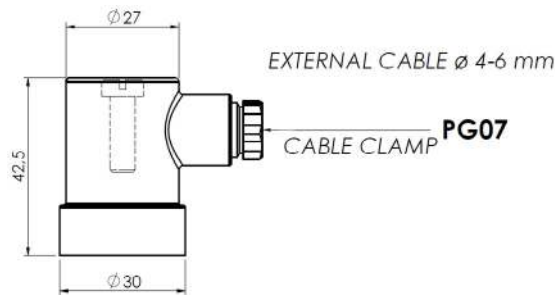
Electric contact	Silver AgNi, on request gold plated
Electrical conditions	N.O. (bordeaux) N.C. (blu)
Max switches voltage	250 V
Max switches current	0,5 A
Max fluid temperature	80° to 120°C (depending on diaphragm)
Mechanical working life	10 ⁶ operations
Electrical working life	10 ⁶ operations
Max Overpressure limit	Zinc plated steel / SS 300 bar Brass 80 bar
Max Working pressure	Zinc plated steel / SS 150 bar Brass 40 bar
Action type	1B
Pollution situation	grade 2
Protection degree	IP 00
with cover 3015001	IP 54
with cap 3900001	IP 65
with connector 3900200	IP 65
In accordance with	EN 60730-1
Weight	~65 gr



Rubber Protective Cap

IP54 IP65
3015001

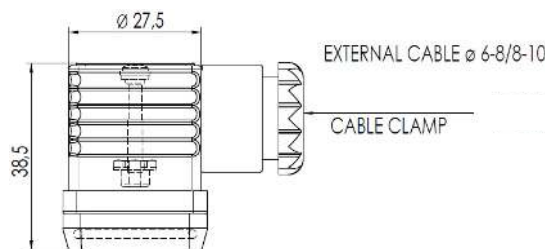
Suitable for models: 21 - 30 - 31 - 32 - 35 - 37 - 40 - 41 - 41V - 41BC - 42 - 506



Plastic Protective Cap

IP65
3900001

Suitable for models: 21 - 30 - 31 - 32 - 35 - 37 - 40 - 41 - 41V - 41BC - 42 - 506



Protective connector

IP65
3900200

Suitable for models: 30 - 31 - 32 - 35 - 37 - 40 - 41 - 41BC - 42 - 506