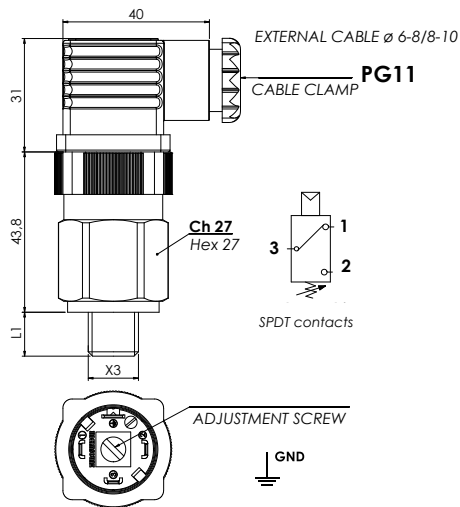


PISTON PRESSURE SWITCH  
ADJUSTABLE HYSTERESIS - SPDT CONTACTS.

28N



Part Number	Setting range bar	Tolerance at 20 ° C
28N 2 ▲ ● 1 6	50 - 200	± 2÷10
28N 2 ▲ ● 1 7	100 - 400	± 5÷15

▲ **Material Case**

- 0 Zinc plated steel case
- 2 Stainless steel AISI 316 \*
- 5 Stainless steel AISI 303 \*

\* Standard G1/4" Parallel

● **Threads (X3)**

- 1 1/8" BSPT (Taper)
- 2 1/4" BSPT (Taper)
- 3 M10x1K (Taper)
- 4 M12x1,5 (Parallel)
- 5 1/8" NPT
- 6 1/4" BSP (Parallel)

**L1 (mm)**

- 10
- 12
- 10
- 9
- 9
- 12

<b>Electric contacts</b>	Silver
<b>Electrical condition</b>	SPDT (exchange contact)
<b>Electrical characteristics</b>	4(2) A / 24 Vdc 6(2) A / 250 Vac
<b>Max fluid temperature</b>	80° C
<b>Mechanical working life</b>	10 <sup>6</sup> operations
<b>Max Overpressure limit</b>	800 bar
<b>Max Working pressure</b>	450 bar
<b>Protection degree</b>	IP 65
with connector according to UNI EN 175301-803 (DIN43650)	
<b>Hysteresis</b>	30 ÷ 50% adjustable in Euroswitch (standard 40%)
<b>Seal</b>	NBR + Teflon -15°C to 100°C
<b>Weight</b>	~ 140 gr