

GENERAL CHARACTERISTICS



For applications where it is necessary to measure pressure, with local display, full adjustable via APP "MY VALCO" available on Android @ app store.

The power supply to the sensors is between 15 and 30 Vdc, and the output signal is available with 4...20 mA, or 0...10V, or 0...5V or 1...6V, M12 electrical connection.

Data logger function included as standard.

- Sensing element thin-film-on-steel
- Full control via APP "MY VALCO".
- 2 x PNP switching output
- Degree of protection IP67



PRESSURE RANGES

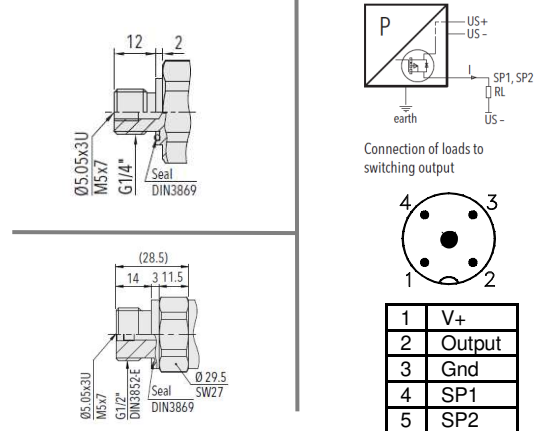
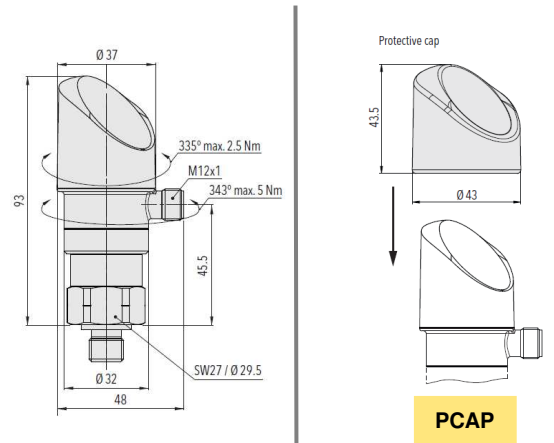
Tab.1

Measuring ranges	Over pressure	Burst pressure	Code
Bar	Bar	Bar	
0 - 2,5	7,5	50	0002
0 - 4	12	60	0004
0 - 6	18	100	0006
0 - 10	30	200	0010
0 - 16	48	200	0016
0 - 25	75	300	0025
0 - 40	120	300	0040
0 - 60	180	400	0060
0 - 100	300	500	0100
0 - 160	480	750	0160
0 - 250	750	1000	0250
0 - 400	1000	2000	0400
0 - 600	1500	2500	0600

TECHNICAL DATA

Tab.2

Description		Code
Measuring element	thin-film-on-steel	TF
Power supply	10 ÷ 35 Vdc	-
Output signal	4 - 20 mA	420
	0 - 10 V	switchable 010
Current consumption	≤ 30mA	-
Housing alignment	Display 335° rotatable	-
Linearity	Accuracy	Temperature
± 0,5 % FS	± 0,5 %	-25 ÷ 85 °C
		Protection IP67
		-
Electrical connection	M12 x 1 - 4 poles plug	S3



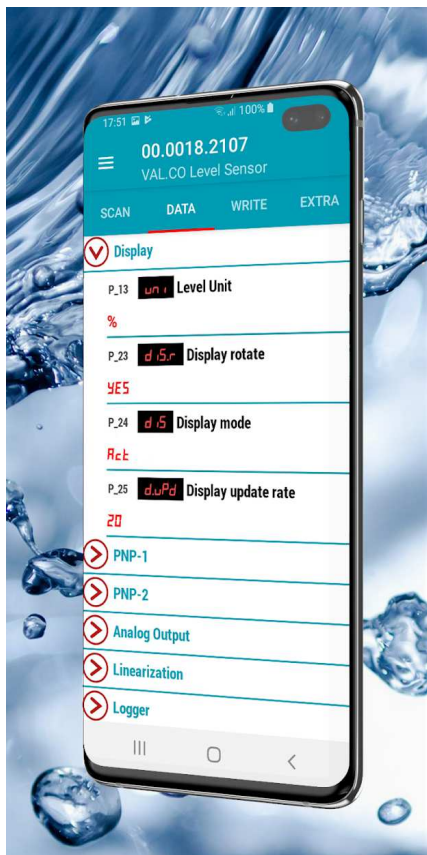
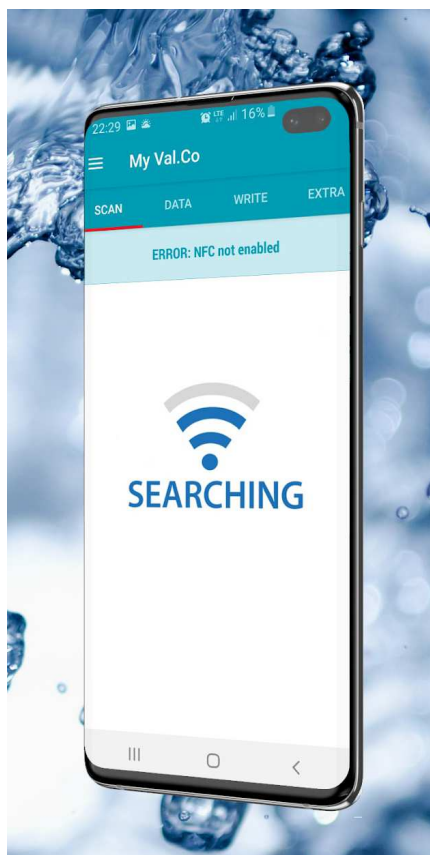
PROCESS CONNECTION

Tab.3

Dimensions			Male thread			Materials
08	15	Other	G	C	N	S
1/4"	1/2"	(---)	UNI 228/1	UNI 7/1	NPT	S. S. AISI-630
Standard	On request		Standard	On request		

NOMENCLATURE

TPD	0016	TF	08GK	420/010	S3	PCAP	
•							Pressure transmitter
	•						Tab.1 Measuring range
		•					Tab.2 Measuring element
			•				Tab.3 Process connection dimension and material
				•			Tab.2 Output signal
					•		Tab.2 Electrical connection and output
						•	Tab.1 Protection cap silicone if required



..... don't forget to download MyValco App
the fastest way to setup your device

