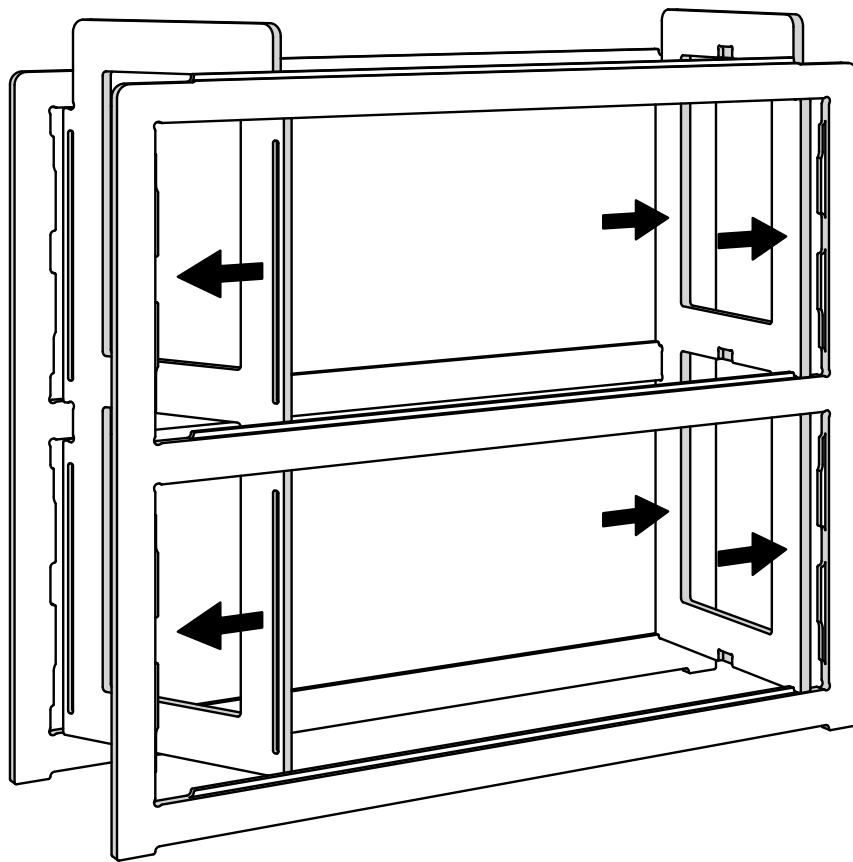
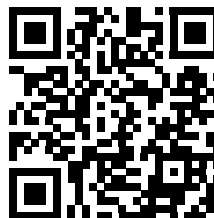


News Without
Screens

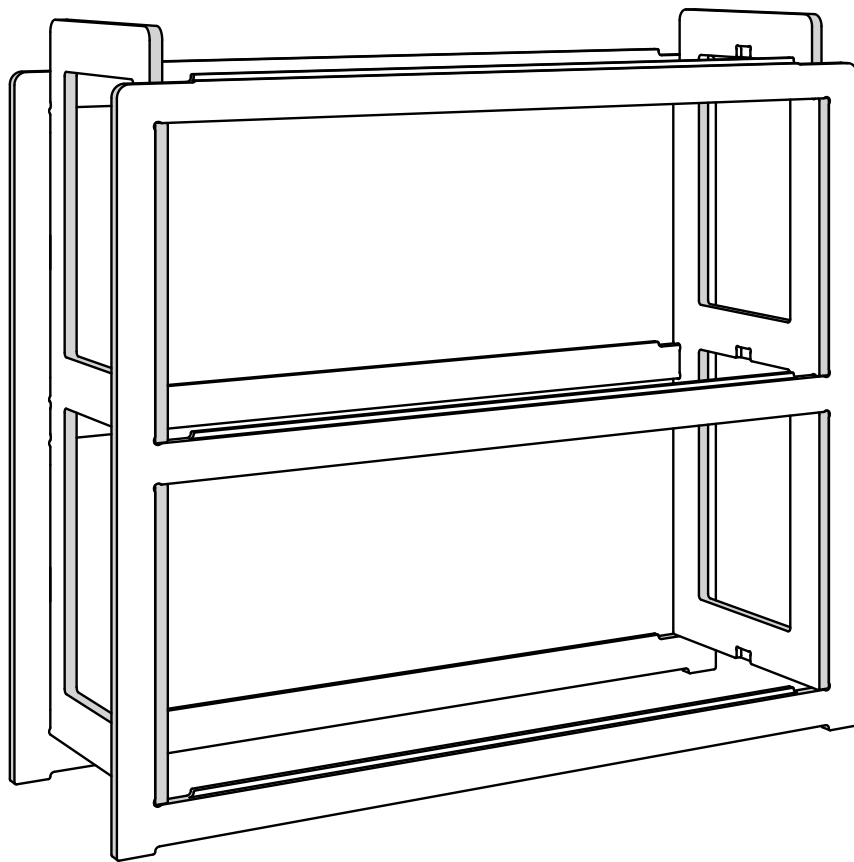


Step 1

Video:



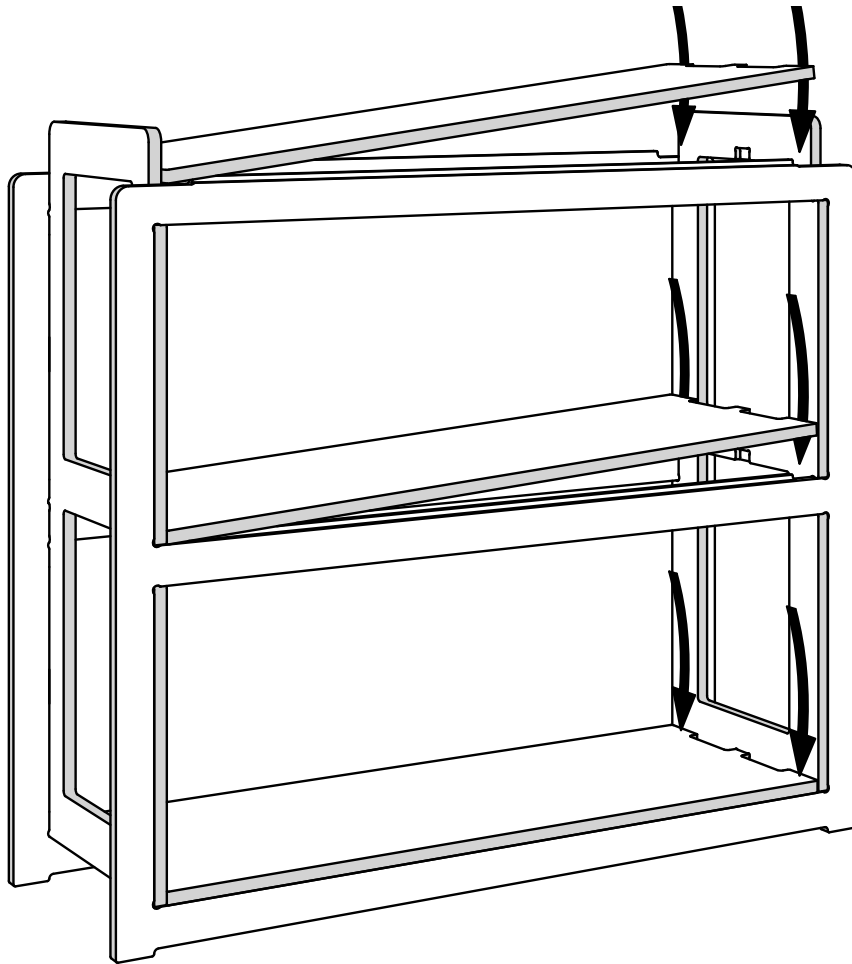
Step 2



Step 3

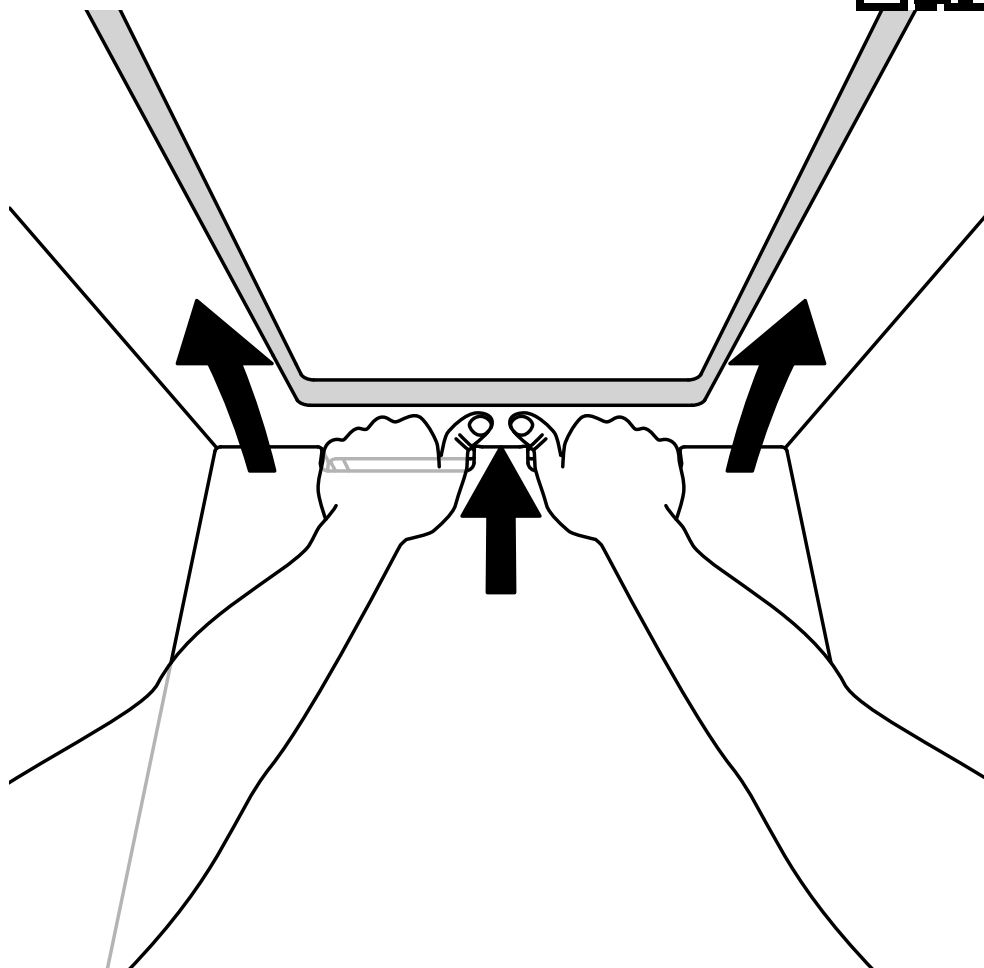
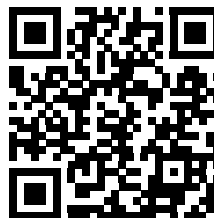


If you need help, write to us
at info@without screws.com!



To take apart

Video:



Care

Thank you for purchasing our Maple Shelving Unit Without Screws! It is designed in London by Jflemay Architecture and Design and made in Lithuania with FSC-certified European maple.

The maple plywood is lacquered. Do not apply wood oil. Dry liquids quickly and use coasters to prevent damaging the surface.

The wood will become slightly more yellow with exposure to daylight. To avoid discolouration, we recommend that you do not leave objects on the product in direct sunlight.

To clean the product, use a damp cloth and a drop of washing-up liquid. Use indoors only. Do not exceed the capacity of 50 kg per shelf.

© 2023 Jflemay, covered by design patents worldwide

Returns

The following applies if you purchased our product directly from the Without Screws on-line shop. If you purchased it from another shop, please refer to their returns policy.

Upon receiving the last product of your order, you have 14 days to write to us at info@withoutscrews.com that you would like to return a product and a further 14 days to send us the product.

We will send you a return label. If you ask for a refund, we will refund you within 14 days of receiving your return.



Return the product in its original condition and packaging, including inner and outer boxes. Take care to seal the outer box with heavy duty tape. We will not process a return which is not in its original condition or damaged due to the customer's packaging.

Warranty

The UK "Consumer Rights Act 2015" gives you the right to expect that our product is of satisfactory quality, fit for purpose and as described. If our product does not meet this standard,

- Within 30 days of delivery, you can return the product for a refund.
- Within six months of delivery, you have the right to a free repair or replacement of the product. After one attempt, if it still doesn't meet this standard, you can return the product for a refund.

You should get a refund within 14 days of either us getting the products back, or you providing evidence of having returned the products.

The following do not constitute a failure to meet the warranted standard:

- Normal wear under normal use of the product;
- Wear or failure under abnormal use, for example excessive load;
- Staining or discolouration of the product;
- Natural features in the material and minor scratches present upon arrival;
- A user finding it difficult to assemble or take apart the product.

To claim on warranty, write to us at info@without screws.com.