



Brio[®]

**3-Stage Under Sink
Filtration System**
Instruction Manual

Model No.: FUS300R

Table of Contents

Safety Information	3
Intended Use	3
Package Contents	4
Materials Needed	5
Installation Overview	5
Installation	6
Connect to the Cold Water Supply	6
Install the Filtration Faucet	7
Make the Connections	7
Install the Battery	8
Flush the System	8
Operation	9
Operational Specifications	9
Indicator Panel Description	9
Maintenance	10
Replace the Filters	10
Filter Specifications	11
Replace the Battery	11
Troubleshooting	12
Warranty	13

Safety Information

WARNING: To reduce risk of injury and property damage, you must read this entire guide before assembling, installing, and operating the filtration system.

- Installation needs to comply with state and local laws and regulations.
- Product must be installed indoors. Do NOT use outdoors.
- Use only the hoses supplied with the unit; old hoses should not be reused.
- Keep the product in a dry place away from direct sunlight.
- Do NOT store in or expose the product to temperatures lower than 32 °F (0 °C). The ideal temperature range is 39–100 °F (4–38 °C).
- Keep the product away from heat sources or open flames.
- Do NOT place unit near strong magnetic devices, as this may cause the filter life indicator to fail.
- Do NOT immerse the product in water or other liquids.
- Do NOT use with water that is microbiologically unsafe or of unknown quality without adequate disinfection before or after the product.
- The product is suitable for municipal tap water. The best working pressure for this product is 30–100 psi. If the water pressure is unstable, install a pressure reducing valve at the water inlet for the product.
- The design life of the product is 5 years. Replace the whole unit when the life expires.
- To ensure the health of you and your family, regularly replace the filters.
- In case of a water outage or pipeline maintenance, close the water inlet valve; otherwise, the service life of the filter may be affected. When re-supplying water, turn on the faucet and allow the water to run for 10 minutes before dispensing.
- The flow rate will decrease when the ambient temperature is low, which is an inherent characteristic of the filter.
- Service should be performed only by a certified technician. Never remove any parts to avoid leakage or damage.

WARNING: Precautions for use of button battery.

- Chemical burn hazard. Keep battery away from children.
- This product contains a lithium button/coin cell battery.
- If a new or used lithium button/coin cell battery is swallowed or enters the body, it can cause severe internal burns and can lead to death in as little as 2 hours.
- If you think battery has been swallowed or placed inside any part of the body, seek immediate medical attention.
- Always completely secure the battery compartment. If the battery compartment does not close securely, stop using the product and immediately remove the battery.
- Immediately and safely dispose of battery, keeping it securely out of reach of children.

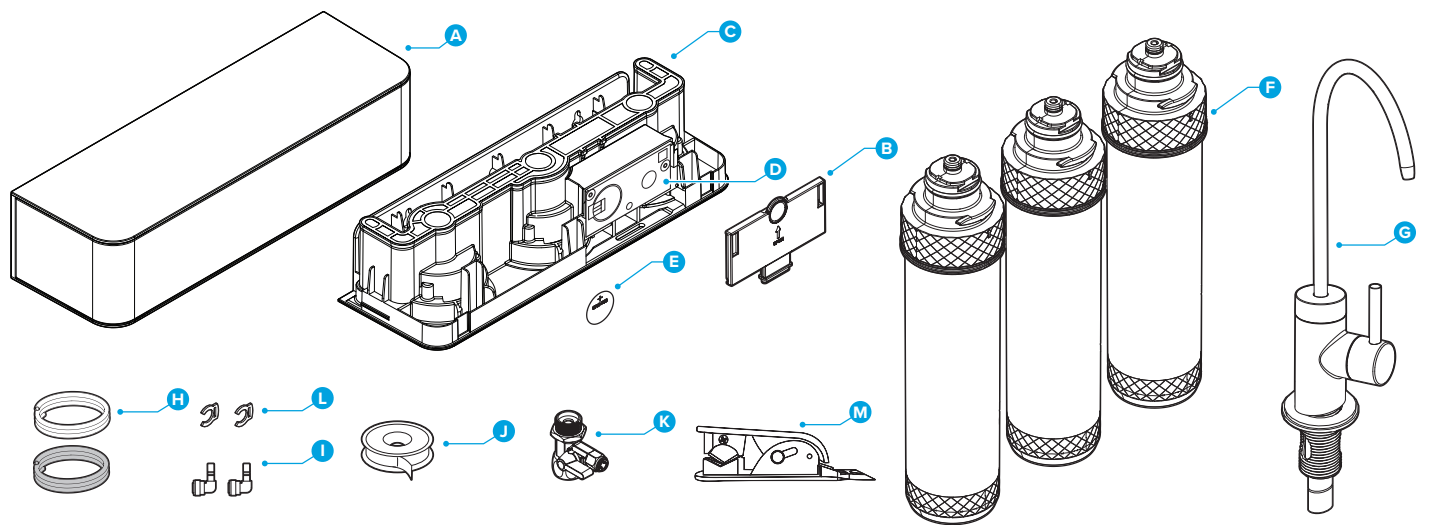
Intended Use

This filtration system is intended to be used in household and similar applications such as:

- Staff kitchen areas in shops, offices, and other working environments
- Farm houses
- Hotels, motels, and other residential type environments

This system is not intended for use by persons (including children) with reduced physical, sensory or mental capabilities, or lack of experience and knowledge, unless they have been given supervision or instruction concerning use of the system by a person responsible for their safety.

Package Contents



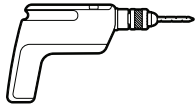
Part	Description
A	Top cover
B	Transparent cover plate
C	Filter housing
D	Indicator panel
E	Battery CR2450
F	Filters (qty. 3)
G	Filtration faucet

Part	Description
H	PE tubing, 1/4 in. (qty. 2)
I	Quick coupling, 1/4 in. (qty. 2)
J	Seal tape
K	Feed water adapter
L	Locking clips (qty. 2)
M	Tube cutter

Materials Needed



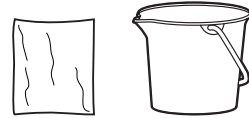
Adjustable wrench



Power drill

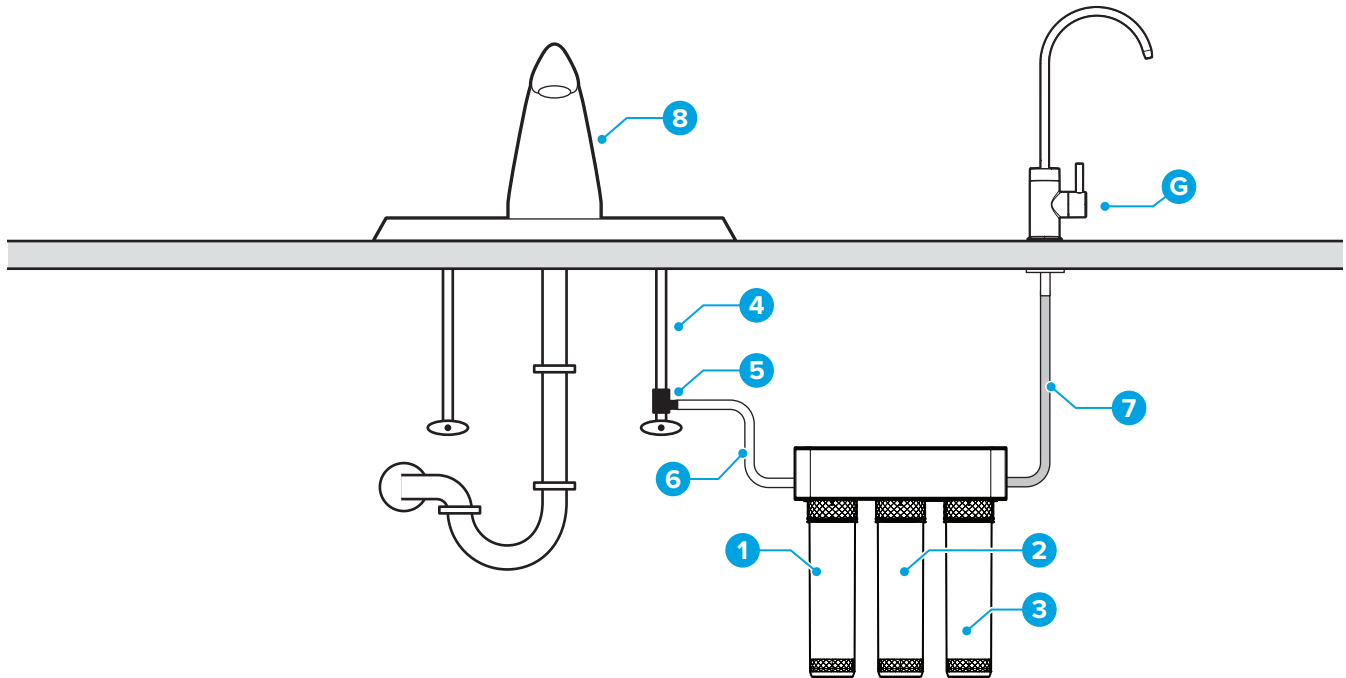


Drill bit (1 in.)



Towel or bucket

Installation Overview



Part	Description
1	Sediment filter (stage 1)
2	Carbon block filter (stage 2)
3	Post carbon filter (stage 3)
4	Cold water supply
5	Feed water adapter

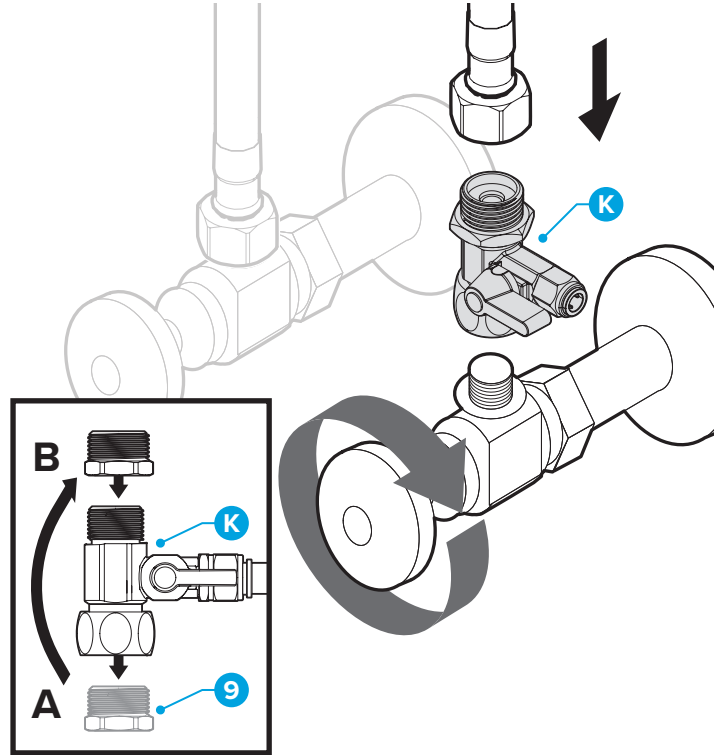
Part	Description
6	Inlet water tubing (white)
7	Outlet water tubing (blue)
8	Existing faucet
G	Filtration faucet

Installation

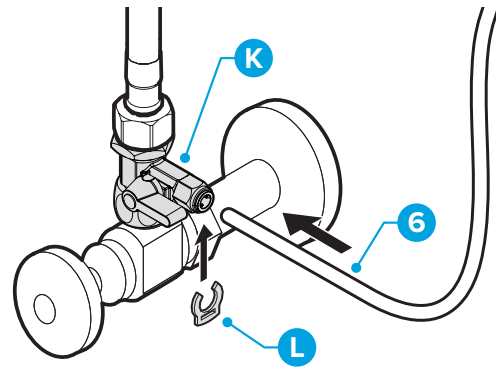
1. Connect to the Cold Water Supply

CAUTION: DO NOT CONNECT THIS WATER LINE TO A HOT WATER SUPPLY LINE. The water supply to the unit MUST be from the COLD WATER LINE. Using HOT WATER will severely damage the filters.

- A. Turn off the cold water supply valve.
- B. Turn on the existing faucet to release the water pressure.
NOTE: Make sure the water has completely drained before proceeding to the next step. Use a towel or bucket to catch any excess water.
- C. Using an adjustable wrench, disconnect the cold water pipe from the cold water supply valve.
NOTE: If the cold water pipe is 1/2 in., unscrew the converter (9) from the A end of the feed water adapter (K), and then screw it on the B end of the feed water adapter (K).
- D. Tighten the converter (9).
- E. Twist the feed water adapter (K) onto the cold water supply valve and tighten it using an adjustable wrench.
- F. Twist the cold water pipe to the top of the feed water adapter (K) and tighten it using an adjustable wrench.



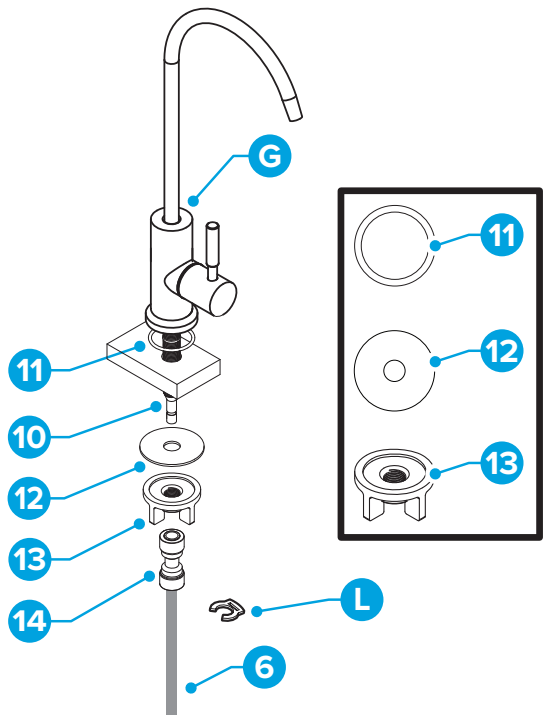
- G. Insert the one end of the white inlet water tubing (6) into the quick connector on the feed water adapter (K) and pop in the lock clip (L) on the fitting.
- H. Gently tug on the white inlet water tubing (6) to ensure a secure connection with the fitting.



2. Install the Filtration Faucet

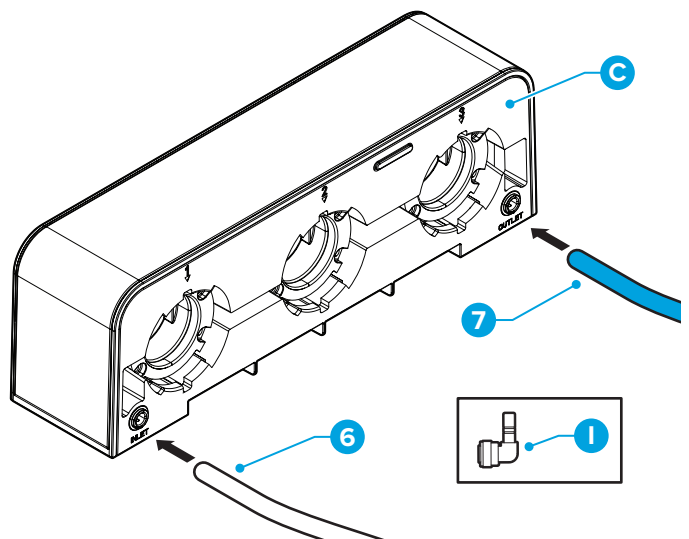
NOTE: If there is no hole in the sink or countertop for the filtration faucet stem, drill a 1 in. hole or use the hole for the soap dispenser.

- A. Insert the faucet stem (10) through the O-ring (11) and into the hole in the sink or countertop.
- B. Under the sink, slide the rubber washer (12) onto the faucet stem (10). Slide on the locking nut (13) and hand tighten to ensure the faucet is secured to the countertop or sink.
- C. Insert one end of the connector (14) onto the base of the faucet stem (10) and pop a lock clip (L) around the collet.
- D. Insert one end of the blue outlet water tubing (6) into the other end of the connector (14) and pop a lock clip (L) around the collet. Gently tug on the blue tubing to ensure a secure connection.



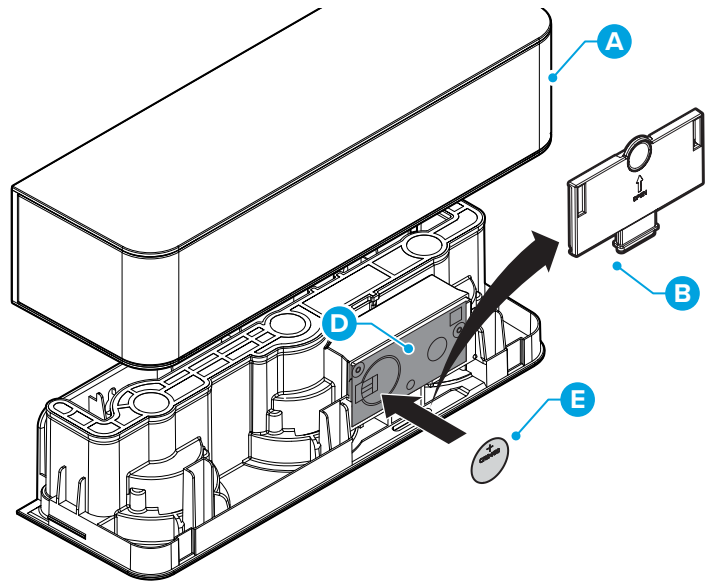
3. Make the Connections

- A. Insert the other end of the white inlet water tubing (6) into the water inlet end of the filter housing (C). If needed to accommodate the angle, use the quick coupling (I) provided.
- B. Insert the other end of the blue outlet water tubing (7) into the water outlet end of the filter housing (C). If needed to accommodate the angle, use the quick coupling (I) provided.



4. Install the Battery

- A. Lift off the top cover (A) of the filter housing and remove the transparent cover plate (B).
- B. Insert the battery (E) into the indicator panel (D). The positive side of the battery should be facing outward.
- C. Reassemble the transparent cover plate (B) and the top cover (A).



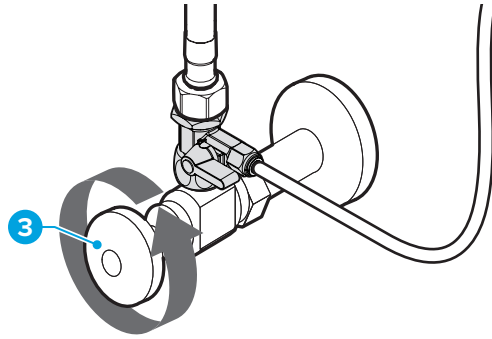
5. Flush the System

CAUTION: Do NOT drink water from your new system until you have completed the suggested flushing process.

- A. Turn on the filtration faucet first, and then turn on the cold water supply valve (3).
- B. Allow the water to run for 10 minutes.

NOTE: Since the filter material contains granular activated carbon, it is normal that the water is black when dispensing for the first time.

- C. Turn off the filtration faucet and wait for one hour. While waiting, monitor the system for any leaks.
- D. Turn on the filtration faucet again and allow the water to run for another 10 minutes to completely flush the system.
- E. Check again for leaks. If there are no leaks, the filtration faucet is ready for use.



Operation

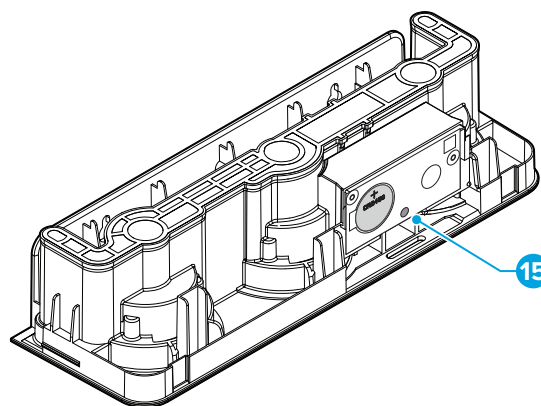
Operational Specifications

Operating Temperature	Minimum 39 °F (4 °C)	Maximum 100 °F (38 °C)
Operating Pressure	Minimum 30 psi (0.20 MPa)	Maximum 100 psi (0.69 MPa)
pH Parameters	Minimum 2	Maximum 11
Iron	Maximum 0.2 ppm	
TDS (Total Dissolved Solids)	< 1800 ppm	
Turbidity	< 5 NTU	

Indicator Panel Description

The indicator panel is used to indicate filter life.

- The red LED (15) on the indicator panel flashes to indicate the filter life has expired.
- If the faucet is turned on while the red LED (15) is flashing, the unit will beep as a reminder. The unit will stop beeping after turning off the faucet.
- If the faucet is on and runs continuously for > 30 minutes, the unit will beep as a reminder to turn the faucet off. The unit will stop beeping after turning off the faucet.



Maintenance

Replace the Filters

Replace the filters every 6 to 12 months or 950 gallons (3600 liters), whichever comes first. The red LED light on the indicator panel flashes to indicate the filter life has expired.

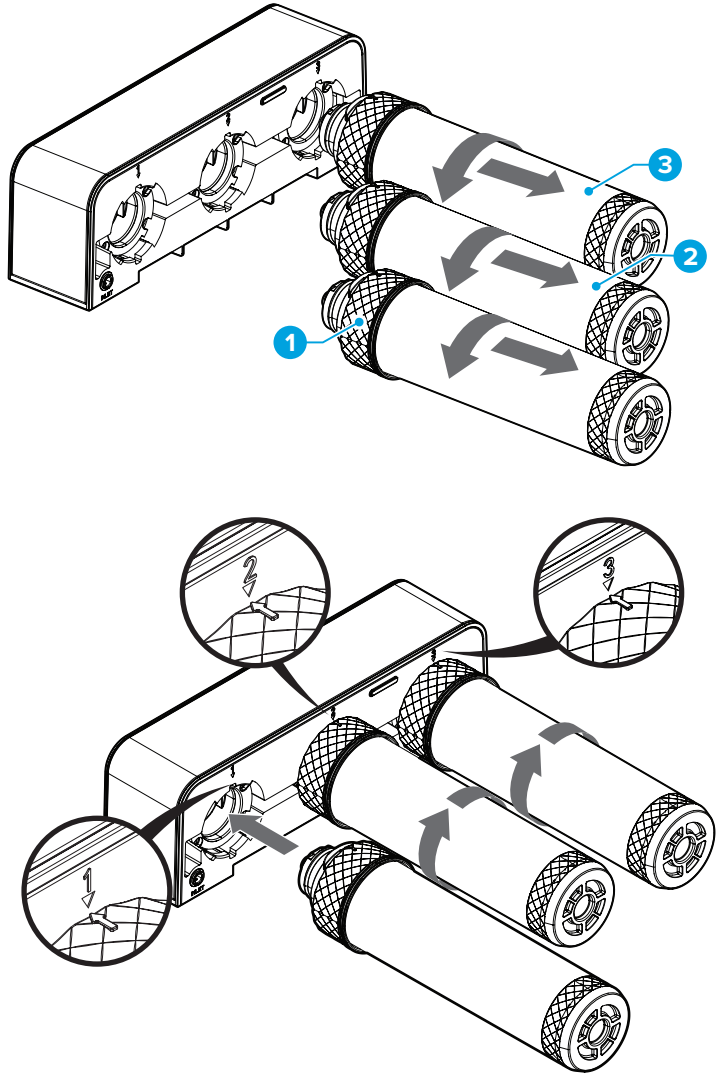
1. Turn off the cold water supply valve.
2. Turn on the filtration faucet to drain the system.

NOTE: Remove the filters sequentially; stage 1 sediment filter (1) first, then stage 2 pre carbon filter (2), and then stage 3 ultrafiltration filter (3).

3. Remove the filter by rotating counterclockwise 90° and then pulling downwards.

NOTE: Install the new filters in reverse sequence; stage 3 ultrafiltration filter, stage 2 pre carbon filter, and then stage 1 sediment filter.

4. Insert the new filter into the housing, being sure to align grooves. Firmly push filter in, then rotate clockwise 90°. The arrow on the filter should align with the Δ mark on the filter housing as shown, and the filter should be securely locked in place.
5. To ensure normal operation, replace the battery every time you replace the filter. See "Replace the Battery" on page 11.
6. Flush the new filters before use. See "5. Flush the System" on page 8.



Filter Specifications

Always use proper replacement filter cartridges. Refer to the table below for filter replacement part numbers and specifications.

Stage 1 – Sediment Filter

(Sediment, dirt, and rust removal)

Stage 2 – Carbon Block Filter

(Particles as small as 0.5 microns removal, including lead)

Stage 3 - Post Carbon Filter

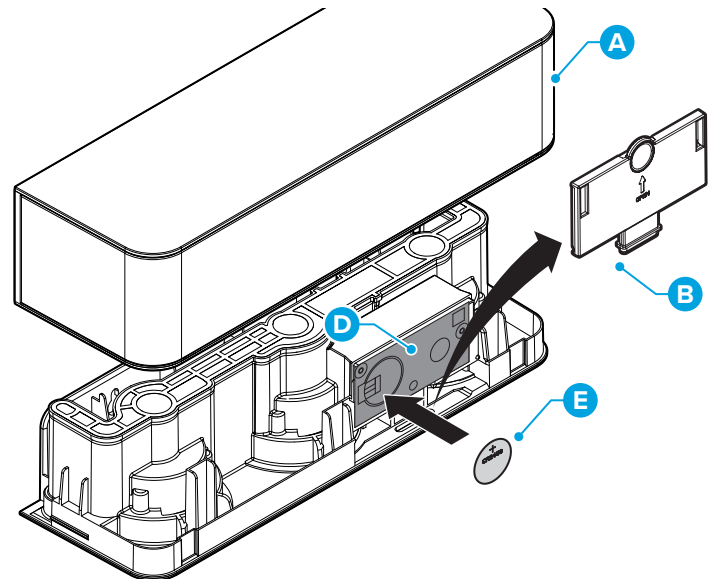
(Residual taste and odor removal)

Part Number	RPFUSPP5M	Part Number	RPFUSCTO5MS2	Part Number	RPFUSGAC5MS3
Replacement Cycle	3–6 Months	Replacement Cycle	3–6 Months	Replacement Cycle	3–6 Months
Filter Capacity	950 Gallons (3600 Liters)	Filter Capacity	950 Gallons (3600 Liters)	Filter Capacity	950 Gallons (3600 Liters)
Flow Rate	0.5 GPM (2 LPM)	Flow Rate	0.5 GPM (2 LPM)	Flow Rate	0.5 GPM (2 LPM)
Suggested PSI	30–100 PSI	Suggested PSI	30–100 PSI	Suggested PSI	30–100 PSI

Replace the Battery

To ensure normal operation of the indicator panel, replace the battery every time you replace the filter. Use only a CR2450 battery.

1. Lift off the top cover (A) of the filter housing and remove the transparent cover plate (B).
2. Remove and properly dispose of the old battery (E).
3. Insert the new battery into the indicator panel (D). The positive side of the battery should be facing outward.
4. Reassemble the transparent cover plate (B) and the top cover (A).



Troubleshooting

Problem	Probable Cause	Solution
The water has a black or dark appearance.	The system may not have been properly flushed.	Properly flush the system. See “5. Flush the System” on page 8.
The system is noisy.	There is an air gap in the filtration faucet.	The noise will disappear after system shutdown.
Water either comes out slowly or does not come out of the filtration faucet.	The water pressure is low.	Add a booster pump.
	There are crimps in the tubing.	Ensure the tubing is straight.
	The filters are clogged.	Replace the filters. See “Replace the Filters” on page 10.
The water smells or tastes bad.	The filter life may have expired.	Replace the filters. See “Replace the Filters” on page 10.
There are leaks in the system.	The tubing is not secure.	Fully insert the tubing as necessary.
	The feed water adapter is not tightened.	Tighten the converter and the nut on the feed water adapter.
Red LED is flashing on the indicator panel, but the filter was recently changed.	If the water pressure is < 30 psi, the indicator panel may not be able to calculate the filter life properly.	Increase the water pressure.

Warranty

Brio (“Vendor”) warrants to the original purchaser of the Brio Water Filtration System (the “Product”), and to no other person, that if the Product is assembled and operated in accordance with the printed instructions accompanying it, then for a period of one (1) year from the date of purchase, all parts in the Product shall be free from defects in material and workmanship. This Limited Warranty shall be limited to repair or replacement of parts, which prove defective under normal use and service and which Vendor shall determine in its reasonable discretion upon examination to be defective. To take advantage of this Limited Warranty, please follow these steps:

1. Please retain your sales slip or invoice, as Vendor may require reasonable proof of your date of purchase.
2. Contact Vendor’s Customer Service Department using the contact information listed below.
3. Return parts to Vendor, per Vendor’s instructions, at your cost and expense.
4. Upon receipt by Vendor, Vendor shall advise you in writing whether a defect covered by this Limited Warranty exists in any returned part and whether your claim has been approved or denied.
5. Upon Vendor’s approval of your claim, Vendor will replace such defective part without charge to you.

WHAT THIS LIMITED WARRANTY DOES NOT COVER: This Limited Warranty does not cover any failures or operating difficulties of the Product due to accident, abuse, misuse, alteration, misapplication, improper installation or improper maintenance or service by you or any third party, or failure to perform normal and routine maintenance on the Product, as set out in the User’s Manual. In addition, this Limited Warranty does not cover damages to the finish, such as scratches, dents, discoloration or rust after purchase.

This Limited Warranty is the only express warranty given on the Product and is in lieu of all other express warranties. Vendor disclaims all warranties for products that are purchased from seller other than authorized retailers or distributors. THIS LIMITED WARRANTY RESTRICTS THE DURATION OF ANY AND ALL IMPLIED WARRANTIES, INCLUDING WITHOUT LIMITATION, THE IMPLIED WARRANTY OF MERCHANTABILITY AND FITNESS FOR A PARTICULAR PURPOSE TO THE ONE (1) YEAR TERM OF THIS LIMITED WARRANTY. UPON THE EXPIRATION OF THE ONE (1) YEAR TERM OF THIS LIMITED WARRANTY, VENDOR DISCLAIMS ANY AND ALL IMPLIED WARRANTIES, INCLUDING WITHOUT LIMITATION THE IMPLIED WARRANTIES OF MERCHANTABILITY AND FITNESS FOR A PARTICULAR PURPOSE, THE PRODUCT BEING THUS SOLD AS-IS, WITH ALL FAULTS. FURTHER, VENDOR SHALL HAVE NO LIABILITY WHATSOEVER TO PURCHASER OR ANY THIRD PARTY FOR ANY SPECIAL, INDIRECT, PUNITIVE, INCIDENTAL, OR CONSEQUENTIAL DAMAGES. OTHER THAN THIS LIMITED WARRANTY, THERE ARE NO WARRANTIES WHICH EXTEND BEYOND THE DESCRIPTION ON THE FACE HEREOF. Vendor assumes no responsibility for any defects caused by third parties. This Limited Warranty gives you specific legal rights, and you may have other rights which vary from state to state. State law may also override statements in this Limited Warranty regarding the restriction on the duration of implied warranties. Some jurisdictions do not allow exclusion or limitation of special, incidental or consequential damages, or limitations on how long a warranty lasts, so the above exclusion and limitations may not apply to you.

Brio[®]

Contact Us

Call: +1 844-257-4103