



Brio[®]

**Point of Use
Water Dispenser**
Setup Manual

Model No.: CLPOURO420SCV2

Table of Contents

| | |
|--|-----------|
| Safety Information | 3 |
| Intended Use | 4 |
| Product Features | 4 |
| Indicator Panel Description | 5 |
| Product Dimensions | 5 |
| Package Contents | 5 |
| Materials Needed | 5 |
| Installation | 6 |
| Determine Installation Location | 6 |
| Connect to the Cold Water Supply | 6 |
| Make the Reverse Osmosis Waste Connections | 7 |
| Flush the Filters | 8 |
| Install the Filters and Complete the Installation | 9 |
| Operation | 10 |
| Turn the Dispenser On/Off | 10 |
| Dispense Cold Water | 10 |
| Dispense Room Temperature Water | 10 |
| Disable the Child Safety Lock and Dispense Hot Water | 10 |
| Troubleshooting | 11 |
| Cleaning and Maintenance | 12 |
| Use the Self-Cleaning Ozone Feature | 12 |
| Care and Maintenance | 12 |
| Filter Replacement Schedule | 13 |
| Replace the Filters | 13 |
| Filter Specifications | 13 |
| Warranty | 14 |

Safety Information

WARNING: To reduce risk of injury and property damage, you must read this entire guide before assembling, installing and operating the dispenser.

WARNING: This product dispenses water at very high temperatures. Failure to use properly can cause personal injury. When operating this dispenser, always exercise basic safety precautions, including the following:

- Prior to use, this dispenser must be properly assembled and installed in accordance with this manual.
- For indoor use only. Keep the water dispenser in a dry place away from direct sunlight. Do NOT use outdoors.
- Install and use only on a hard, flat and level surface.
- Do NOT place the water dispenser in an enclosed space or cabinet.
- Do NOT operate the dispenser in the presence of explosive fumes.
- Use only properly grounded outlets.
- Do not use an extension cord.
- Always grasp the plug and pull straight out from the outlet. Never unplug by pulling on the power cord.
- Do NOT use the dispenser if the cord becomes frayed or otherwise damaged. If the supply cord is damaged, it must be replaced by the manufacturer, its service agent or similarly qualified persons in order to avoid a hazard.
- To protect against electric shock, do NOT immerse cord, plug, or any other part of the dispenser in water or other liquids.
- Ensure the water dispenser is unplugged prior to cleaning.
- Never allow children to dispense hot water without proper and direct supervision. Unplug the unit to prevent unsupervised use by children.
- Service should be performed only by a certified technician.
- The appliance must not be cleaned by a water jet and is not suitable for installation in an area where a water jet could be used.

WARNING: Keep ventilation openings, in the appliance enclosure or in the built-in structure, clear of obstruction.

WARNING: Do not use mechanical devices or other means to accelerate the defrosting process, other than those recommended by the manufacturer.

- This appliance should work under environment of temperatures from 4°C~40°C (39°F~104°F) and humidity ≤90%.
- Never turn the machine upside down or lean it more than 45°.
- After turning the dispenser off, allow the dispenser to sit idle for 3 minutes before turning on again.

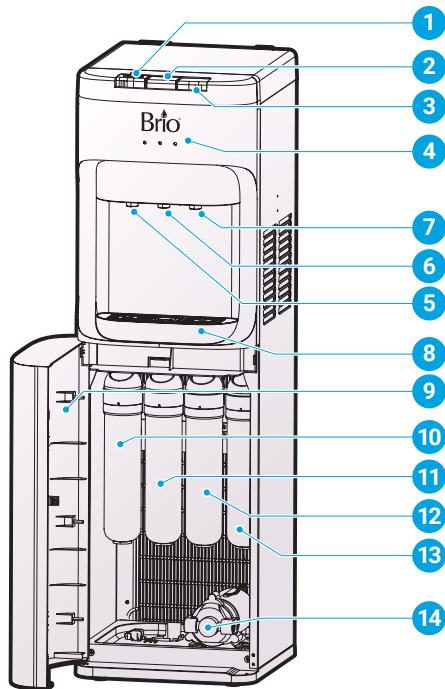
Intended Use

This appliance is intended to be used in household and similar applications such as:

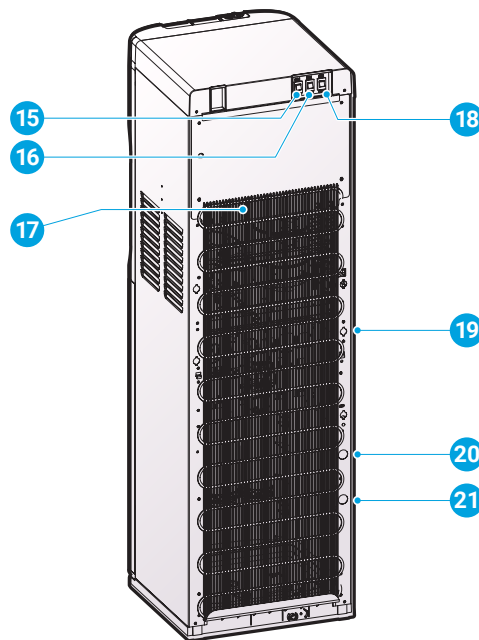
- Staff kitchen areas in shops, offices and other working environments
- Farm houses
- Hotels, motels and other residential-type environments
- Bed-and-breakfast environments
- Catering and similar non-retail applications

This appliance is not intended for use by persons (including children) with reduced physical, sensory or mental capabilities, or lack of experience and knowledge, unless they have been given supervision or instruction concerning use of the appliance by a person responsible for their safety.

Product Features



| Part | Description |
|------|-------------------------------|
| 1 | Hot water button |
| 2 | Room temperature water button |
| 3 | Cold water button |
| 4 | Indicator panel |
| 5 | Hot water tap |
| 6 | Room temperature water tap |
| 7 | Cold water tap |
| 8 | Drip tray |
| 9 | Filter cabinet |
| 10 | Sediment filter |
| 11 | Pre carbon filter |

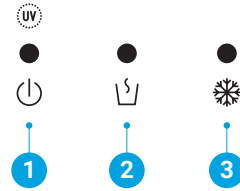


| Part | Description |
|------|-----------------------------|
| 12 | Reverse osmosis (RO) filter |
| 13 | Post carbon filter |
| 14 | RO pump |
| 15 | Filter reset switch |
| 16 | Cold water switch |
| 17 | Condenser |
| 18 | Hot water switch |
| 19 | Hot water drain outlet |
| 20 | Water inlet |
| 21 | RO water drain outlet |
| 22 | Self-cleaning switch |

Indicator Panel Description

1. Power/Self-cleaning indicator light – When illuminated, indicates that the dispenser is on. When blinking, indicates that the self-cleaning feature is operating.
2. Hot water indicator light – When illuminated, indicates that the dispenser is heating water.
3. Cold water indicator light – When illuminated, indicates that the dispenser is cooling water.

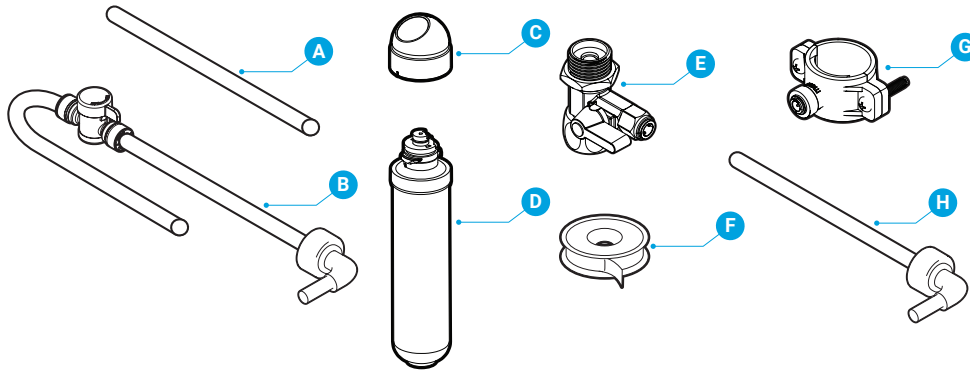
Brio[®]



Product Dimensions

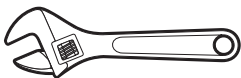
| Height | Width | Depth |
|---------------------|--------------------|--------------------|
| 104.4 cm (41.1 in.) | 31.1 cm (12.2 in.) | 35.4 cm (14.0 in.) |

Package Contents

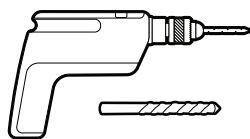


| Part | Description | Quantity |
|------|--------------------------------------|----------|
| A | Filter flushing tube | 1 |
| B | Shut-off valve tube (7 ft.) | 1 |
| C | Filter housing (for filter flushing) | 1 |
| D | Filters | 4 |
| E | Feedwater adapter (with extra nut) | 1 |
| F | Plumber's tape | 1 |
| G | Drain saddle with foam gasket | 1 |
| H | RO water outlet tube | 1 |

Materials Needed



Wrench

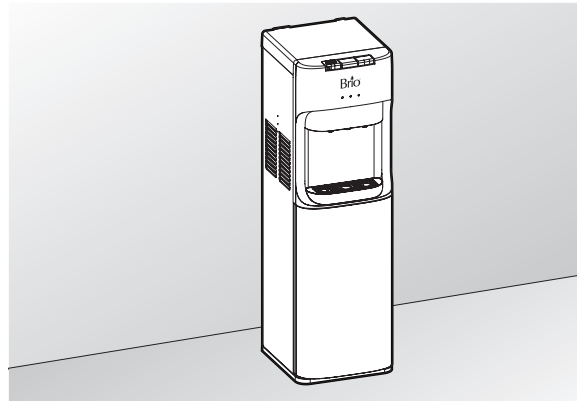


Electric drill with 1/4 in. drill bit

Installation

1. Determine Installation Location

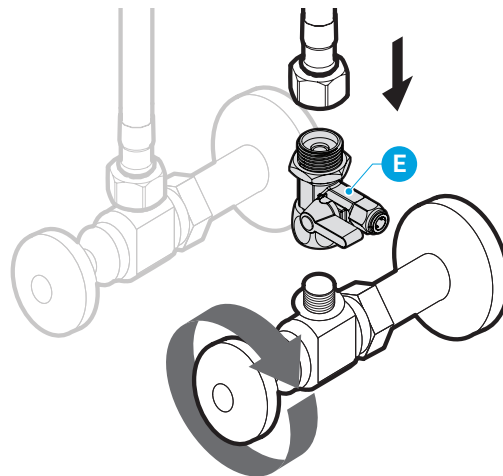
- A. Place the dispenser upright.
- B. Locate the dispenser on a hard and level surface in a cool shaded location near a grounded wall outlet.
NOTICE: Do NOT plug in the power cord until the entire installation section is completed.
- C. Position the back of the dispenser no closer than 8 in. (20 cm) from a wall and permit free airflow between the wall and water dispenser.



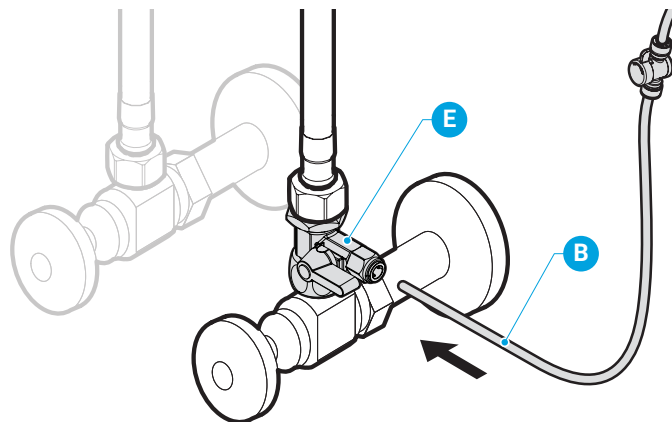
2. Connect to the Cold Water Supply

CAUTION: DO NOT CONNECT THIS WATER LINE TO A HOT WATER SUPPLY LINE. The water supply to the unit MUST be from the COLD WATER LINE. Using HOT WATER will severely damage your filters.

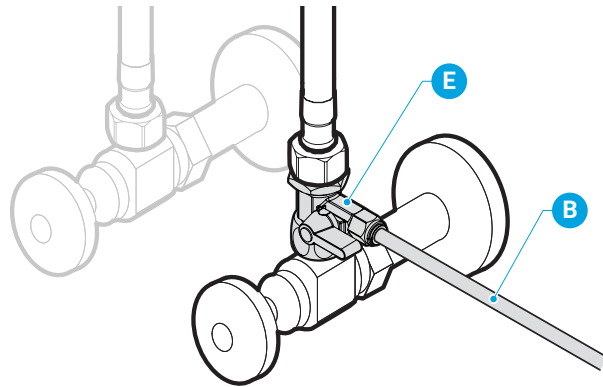
- A. Turn off the cold water supply, then disconnect the cold water pipe from the cold water supply line.
- B. Connect the feedwater adapter (E) to the cold water supply line.
NOTE: Plumber's tape has been included to facilitate installation. Use it on threaded plumbing connections to ensure a secure seal.
- C. Connect the cold water pipe to top of the feedwater adapter (E).
NOTE: An extra adapter nut is included on top of the feedwater adapter (E) to attach to a 3/8 in. or 1/2 in. feed plumbing line.



- D. Insert the shut-off valve with tube (B) straight into the quick connector piece of the feedwater adapter (E).



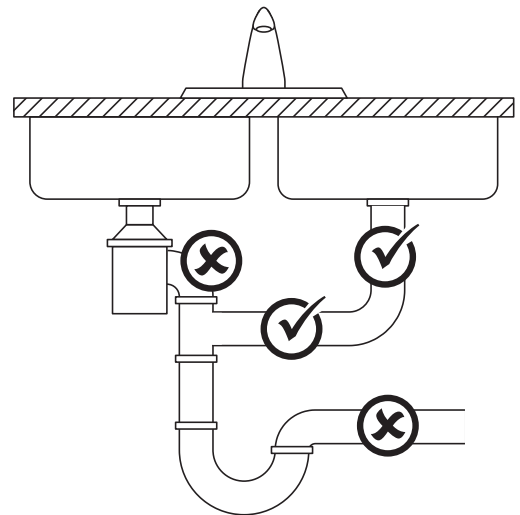
- E. Gently tug on the tube (B) to ensure a secure connection with the feedwater adapter (E). An extra adapter nut is included on top of the feed water adapter (E) to attach to a 3/8 in. or 1/2 in. feed plumbing line.



3. Make the Reverse Osmosis Waste Connections

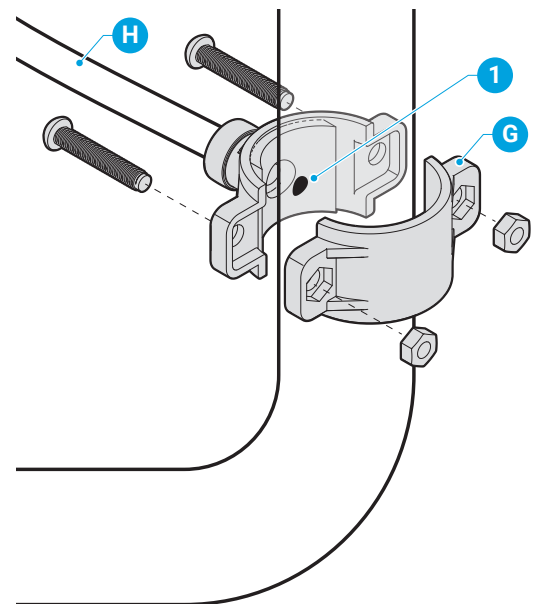
The “RO” filter assembly requires a drain line connection to be installed, which removes rejected water to the sewer. The drain saddle connects the drain line from the dispenser to your drain pipe. The drain saddle is designed to fit around a standard 1.5 in. OD (outer diameter) drain pipe.

- ✓ Always install the drain saddle before the P-trap and on a straight vertical or horizontal section of the pipe.
- ✗ To avoid clogging the drain line with debris, do not install the drain saddle after the drain pipe meets a garbage disposal or dishwasher drain.



To make the reverse osmosis (RO) drain connections:

- A. Determine the location for your drain saddle (G) and then make a mark on the drain pipe for the opening (1).
- B. Use your drill and a 1/4 in. drill bit to drill a hole at the mark, ensuring you only drill through one side of the drain pipe.
- C. Find the half of the drain saddle (G) with the hole in the center, remove the backing from the foam gasket, align the gasket with the hole on the drain saddle (G), and stick the adhesive side of the gasket to the drain saddle (G).
- D. Position both halves of the drain saddle (G) on the drain pipe with the saddle’s opening aligned over the drilled hole, and insert your drill bit through the saddle (G) and drilled hole to ensure proper alignment.
- E. Secure both ends of the drain saddle (G) together using the bolts and nuts, but do not overtighten.
- F. Connect the RO water outlet tube (H) to the drain saddle (G). To prevent water leakage, ensure the RO water outlet tube (H) has been inserted into the pipe 0.6 inches.



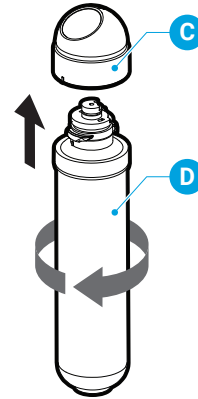
4. Flush the Filters

Follow this procedure each time you replace your filters.

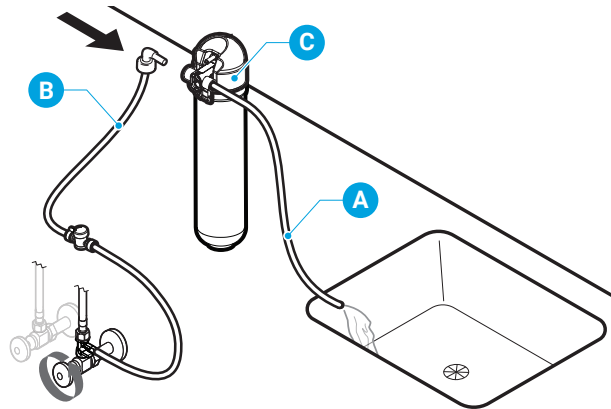
IMPORTANT: Ensure water supply is off before you begin.

IMPORTANT: Flush **ONLY** the sediment, pre carbon, and post carbon filters. The reverse osmosis (RO) filter should not be flushed.

- A. Connect a filter (D) to the filter housing (C) by twisting the filter (D) clockwise.

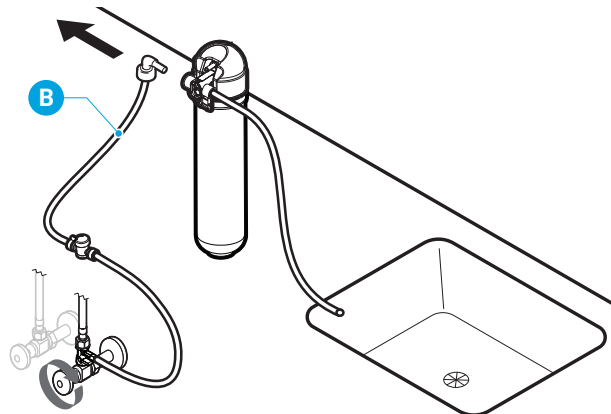


- B. Connect the tip of the shut-off valve tube (B) to the left side of the filter housing (C).
- C. Connect the filter flushing tube (A) to the right side of the filter housing (C) and lay the open end of the filter flushing tube (A) over a sink or receptacle to collect water.



- D. Follow instructions in table below to flush filters.

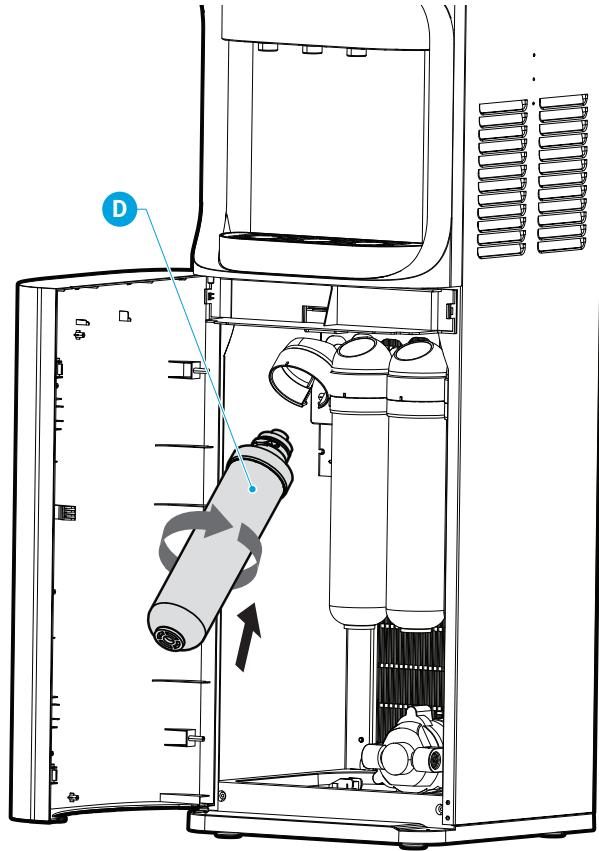
IMPORTANT: After each filter is flushed, be sure to shut off water supply before disconnecting tubes to flush the next filter.



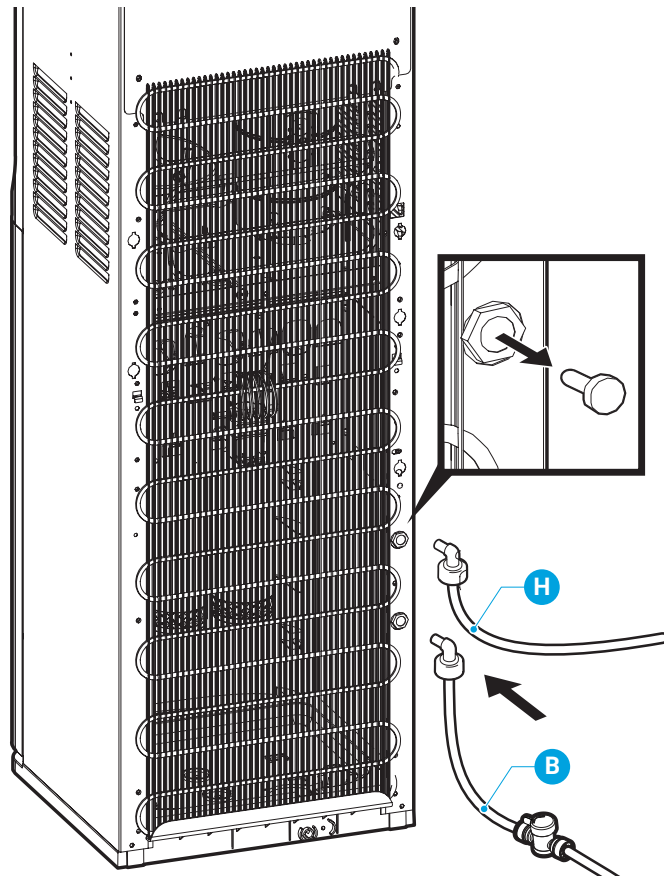
| Stage 1: Sediment Filter | Stage 2: Pre Carbon Filter | Stage 3: RO Membrane | Stage 4: Post Carbon Filter |
|---|---|-----------------------------------|---|
| At first, water may appear cloudy. | At first, water may contain black debris. | FILTER DOES NOT REQUIRE FLUSHING. | At first, water may contain black debris. |
| Flush filter for an additional 4 minutes <u>after</u> water runs clear. | Flush filter for up to 6 minutes or until water runs clear. | | Flush filter for up to 4 minutes or until water runs clear. |

5. Install the Filters and Complete the Installation

- A. After flushing, twist each filter (D) clockwise into the filter housings located inside the dispenser cabinet. The sediment filter goes on the left, followed by the pre carbon, RO, and post carbon filters.



- B. Remove the safety plug from the water inlet hole on the back of the dispenser by pushing in the inlet hole collar and then gently pulling out the plug.
- C. Connect the RO water outlet tube (H) from the RO drain saddle (G) to the RO water outlet.
- D. Connect the tip of the shut-off valve tube (B) into the water inlet hole on the back of the dispenser. Then turn on the main water supply and ensure the valve in the tube (B) is on.



Operation

IMPORTANT: This unit has been tested and sanitized prior to packing and shipping. During transit, dust and odors can accumulate in the tank and lines. Dispense and dispose at least one quart of water prior to drinking any water.

Turn the Dispenser On/Off

IMPORTANT: Before you activate the hot and cold switches, ensure water has filled the tanks inside the dispenser in order to prevent dry heating.

1. Plug in the dispenser.
2. Run water through the cold and hot water taps until water begins to dispense.
3. To power on the cooling system, flip the cooling switch to the On position.
4. To power on the heating system, flip the heating switch to the On position.

Dispense Cold Water

NOTE: Water will take approximately 1 hour after plugging in and turning on to become completely chilled. The cooling light will turn off once the water has been fully chilled.

1. Place a drinking glass or container under the cold water tap and press the cold water button to dispense cold water.
2. Release the button when your container is full.

Dispense Room Temperature Water

1. Place a drinking glass or container under the room temperature tap and press the room temperature water button to dispense room temperature water.
2. Release the button when your container is full.

Disable the Child Safety Lock and Dispense Hot Water

CAUTION: This unit dispenses water at temperatures that can cause severe burns. Avoid direct contact with hot water. Keep children and pets away from the unit while dispensing. Never allow children to dispense hot water without proper and direct supervision. Disable the heating feature by switching the heating switch to the Off position.

NOTE: Water will take approximately 15-20 minutes after plugging in and turning on to reach its hottest temperature. The heating light will turn off once the water has been fully heated.

1. This water dispenser is equipped with a child safety feature in order to prevent inadvertent dispensing. To dispense hot water, place a mug or container under the hot water tap. Slide the lock on the hot water button to the left then press the hot water button down.
2. Release the lock and button once your container is full.

Troubleshooting

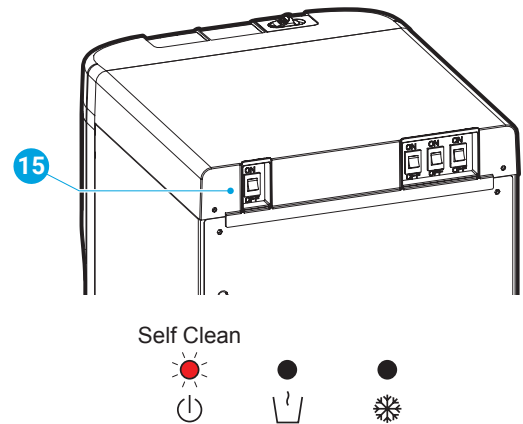
| Problem | Solution |
|--------------------------------------|---|
| The cold water is not cold. | <ul style="list-style-type: none">• It takes up to one hour after setup to dispense cold water.• Make sure the power cord is properly connected to a working outlet.• Make sure the back of the dispenser is at least 8 in. (20 cm) from a wall and there is free airflow on all sides of the dispenser.• Make sure green power switch on back of dispenser is On. |
| The hot water is not hot. | <ul style="list-style-type: none">• It takes 15-20 minutes after setup to dispense hot water.• Make sure the power cord is properly connected to a working outlet.• Make sure red power switch on back of dispenser is On. |
| The dispenser is noisy. | <ul style="list-style-type: none">• Ensure the dispenser is located on a level surface.• The heating tube may be generating a slight noise. This is normal. |
| There is water leakage. | <p>If the 3 lights are flashing, a leak was detected.</p> <ul style="list-style-type: none">• The pipe is not connected properly. Check all water connections and tubes to ensure everything is connected properly.• The water and PE pipes have burst. Replace the water and PE pipe. |
| The machine is not dispensing water. | <ul style="list-style-type: none">• The dispenser has become too cold and the lines are blocked by ice. Turn the cooling switch off for at least 4 hours to allow the water in the lines to thaw. |

Cleaning and Maintenance

Use the Self-Cleaning Ozone Feature

It is highly recommended that you use the self-cleaning feature on a weekly basis to sanitize tanks and water lines.

To activate the self-cleaning cycle, press in the self-cleaning switch (22), hold for 5 seconds, and release.



The power indicator light on the front of the dispenser will begin blinking, indicating the cleaning process is underway.

During the cleaning cycle, ozone is produced and injected into the water system. This ozone kills bacteria and biofilms typically found in water dispensers. By the time the cleaning cycle ends, the ozone is converted to harmless oxygen and emitted into the air.

IMPORTANT: The cycle takes 90 minutes to complete. During this time do not dispense and drink the water. Doing so may result in an odd taste. For your convenience, we recommend that you do this during a period when the dispenser is not in use, such as overnight hours or when staff is away from the office. During the cycle you may smell a faint trace of ozone.

Care and Maintenance

- Keep this dispenser in a dry and cool place and avoid direct sunshine.
- Ensure the back of the dispenser is at least 8 in. (20 cm) away from the wall.
- Never put the dispenser on paper or foam, which may store water and then cause creepage. Never put anything flammable beside this machine.
- Do not use the dispenser outdoors or in a place that can be splashed by water.
- If the dispenser is not in use for longer than a 24-hour period, turn off the heating and cooling switches to save power.
- Clean your cabinet, controls, bottle probe and spout using a clean soft cloth and a food grade sanitizer or bleach.
- Empty and clean the drip tray and grid as needed.

Filter Replacement Schedule

| Filter Type | Model No. | Replacement Schedule | Function |
|----------------------|-----------|-------------------------------|---|
| Sediment | MISEDQ5M | 3-6 months or 950 gallons | Performs a coarse filtration of inlet water, removing sand, rust, dirt, and other suspended solids. |
| Pre Carbon | MIGACQ | 6-12 months or 950 gallons | Removes chlorine, and other unpleasant tastes and odors. |
| Reverse Osmosis (RO) | MIMQ50GPD | 18-24 months or 1,900 gallons | Removes contaminants including lead, arsenic, fluoride, and TDS. |
| Post Carbon | MICARQ5M | 6-12 months or 950 gallons | Performs final polish, removing any residual impurities. |

Replace the Filters

IMPORTANT: Only replace the filters with new filters designed for this dispenser. Any other type of filter will damage the machine and void any warranty.

When a filter is approaching the end of its life, the hot and cold lights on the display will simultaneously flash. To change filters:

1. Shut off the water supply.
2. Flush your new filters by following “Flush the Filters” instructions. Do NOT flush the RO membrane.
3. Remove the old filters and replace with new filters. Ensure filters are installed as follows, from left to right: sediment, pre carbon, RO, and post carbon.
4. After replacing the filters, press and hold filter reset switch (15) until lights turn off.

Filter Specifications

Sediment Filter

(Sediment, Dirt, and Rust Removal)

| | |
|-----------------|---------------|
| Filter Capacity | 950 Gallons |
| Flow Rate | 0.8 GPM |
| Suggested PSI | 14.5 - 58 psi |
| Temperature | 33 - 100 °F |

Pre Carbon Filter

(Chlorine, Taste, and Odor Reduction)

| | |
|-----------------|---------------|
| Filter Capacity | 950 Gallons |
| Flow Rate | 0.8 GPM |
| Suggested PSI | 14.5 - 58 psi |
| Temperature | 33 - 100 °F |

RO Filter

(Heavy Metals and TDS Reduction)

| | |
|-----------------|---------------|
| Filter Capacity | 1,900 Gallons |
| Flow Rate | 0.035 GPM |
| Suggested PSI | 58 - 116 psi |
| Temperature | 33 - 100 °F |

Post Carbon Filter

(Final Polish)

| | |
|-----------------|---------------|
| Filter Capacity | 950 Gallons |
| Flow Rate | 0.8 GPM |
| Suggested PSI | 14.5 - 58 psi |
| Temperature | 33 - 100 °F |

Warranty

Brio (“Vendor”) warrants to the original purchaser of the Brio Water Coolers (the “Product”), and to no other person, that if the Product is assembled and operated in accordance with the printed instructions accompanying it, then for a period of one (1) year from the date of purchase, all parts in the Product shall be free from defects in material and workmanship. This Limited Warranty shall be limited to repair or replacement of parts, which prove defective under normal use and service and which Vendor shall determine in its reasonable discretion upon examination to be defective. To take advantage of this Limited Warranty, please follow these steps:

1. Please retain your sales slip or invoice, as Vendor may require reasonable proof of your date of purchase.
2. Contact Vendor’s Customer Service Department using the contact information listed below.
3. Return parts to Vendor, per Vendor’s instructions, at your cost and expense.
4. Upon receipt by Vendor, Vendor shall advise you in writing whether a defect covered by this Limited Warranty exists in any returned part and whether your claim has been approved or denied.
5. Upon Vendor’s approval of your claim, Vendor will replace such defective part without charge to you.

WHAT THIS LIMITED WARRANTY DOES NOT COVER: This Limited Warranty does not cover any failures or operating difficulties of the Product due to accident, abuse, misuse, alteration, misapplication, improper installation or improper maintenance or service by you or any third party, or failure to perform normal and routine maintenance on the Product, as set out in the User’s Manual. In addition, this Limited Warranty does not cover damages to the finish, such as scratches, dents, discoloration or rust after purchase.

This Limited Warranty is the only express warranty given on the Product and is in lieu of all other express warranties. Vendor disclaims all warranties for products that are purchased from seller other than authorized retailers or distributors. THIS LIMITED WARRANTY RESTRICTS THE DURATION OF ANY AND ALL IMPLIED WARRANTIES, INCLUDING WITHOUT LIMITATION, THE IMPLIED WARRANTY OF MERCHANTABILITY AND FITNESS FOR A PARTICULAR PURPOSE TO THE ONE (1) YEAR TERM OF THIS LIMITED WARRANTY. UPON THE EXPIRATION OF THE ONE (1) YEAR TERM OF THIS LIMITED WARRANTY, VENDOR DISCLAIMS ANY AND ALL IMPLIED WARRANTIES, INCLUDING WITHOUT LIMITATION THE IMPLIED WARRANTIES OF MERCHANTABILITY AND FITNESS FOR A PARTICULAR PURPOSE, THE PRODUCT BEING THUS SOLD AS-IS, WITH ALL FAULTS. FURTHER, VENDOR SHALL HAVE NO LIABILITY WHATSOEVER TO PURCHASER OR ANY THIRD PARTY FOR ANY SPECIAL, INDIRECT, PUNITIVE, INCIDENTAL, OR CONSEQUENTIAL DAMAGES. OTHER THAN THIS LIMITED WARRANTY, THERE ARE NO WARRANTIES WHICH EXTEND BEYOND THE DESCRIPTION ON THE FACE HEREOF. Vendor assumes no responsibility for any defects caused by third parties. This Limited Warranty gives you specific legal rights, and you may have other rights which vary from state to state. State law may also override statements in this Limited Warranty regarding the restriction on the duration of implied warranties. Some jurisdictions do not allow exclusion or limitation of special, incidental or consequential damages, or limitations on how long a warranty lasts, so the above exclusion and limitations may not apply to you.



WWW.BRIOWATER.COM

©2024 Brio Water Technology, Inc.