

moderna + CAFÉ™



Brio®

Point-of-Use Water Dispenser
& Coffee Maker

User's Manual

Model: CLPOU730UVF3CF

Table of Contents

Safety Information	3
Intended Use	4
Product Features	4
Touch Panel Description	5
Operational Specifications	5
Technical Specifications	5
Package Contents	6
Materials Needed	6
Installation	6
Determine Installation Location	6
Install the Brewer Drawer and Drip Trays	6
Connect to the Cold Water Supply	7
Flush the Filters	8
Install the Filters and Complete the Installation	9
Operation	10
Turn the Dispenser On/Off	10
Set the Time	10
Set the Cold Water Temperature Level	10
Dispense Cold Water	11
Disable Child Safety Lock and Dispense Hot Water	11
Prepare Beverages	11
Troubleshooting	12
Cleaning and Maintenance	12
Care and Maintenance	12
Filter Replacement Schedule	13
Replace the Filters	13
Filter Specifications	13
Warranty	14

Safety Information

WARNING: To reduce risk of injury and property damage, you must read this entire guide before assembling, installing and operating the dispenser.

WARNING: This product dispenses water at very high temperatures. Failure to use properly can cause personal injury. When operating this dispenser, always exercise basic safety precautions, including the following:

- Prior to use, this dispenser must be properly assembled and installed in accordance with this manual.
- For indoor use only. Keep the water dispenser in a dry place away from direct sunlight. Do NOT use outdoors.
- Install and use only on a hard, flat and level surface.
- Do NOT place the water dispenser in an enclosed space or cabinet.
- Do NOT operate the dispenser in the presence of explosive fumes.
- Use only properly grounded outlets.
- Do not use an extension cord.
- Always grasp the plug and pull straight out from the outlet. Never unplug by pulling on the power cord.
- Do NOT use the dispenser if the cord becomes frayed or otherwise damaged. If the supply cord is damaged, it must be replaced by the manufacturer, its service agent or similarly qualified persons in order to avoid a hazard.
- To protect against electric shock, do NOT immerse cord, plug, or any other part of the dispenser in water or other liquids.
- Ensure the water dispenser is unplugged prior to cleaning.
- Never allow children to dispense hot water without proper and direct supervision. Unplug the unit to prevent unsupervised use by children.
- Service should be performed only by a certified technician.
- The appliance must not be cleaned by a water jet and is not suitable for installation in an area where a water jet could be used.

WARNING: Keep ventilation openings, in the appliance enclosure or in the built-in structure, clear of obstruction.

WARNING: Do not use mechanical devices or other means to accelerate the defrosting process, other than those recommended by the manufacturer.

- This appliance should work under environment of temperatures from 39–100 °F (4–38 °C) and humidity $\leq 90\%$.
- Never turn the machine upside down or lean it more than 45°.
- After turning the dispenser off, allow the dispenser to sit idle for 3 minutes before turning on again.

WARNING: UV light source. Disconnect the electrical UV supply to the UV radiation BEFORE opening cover.

- UV-LED lamp must be repaired by manufacturer only.
- UV-LED lamp model no. YB09-950-022, rated DC 24V, 0.17W $\pm 20\%$.
- Disposal of the UV-LED lamp must be done in accordance with local laws and regulations.

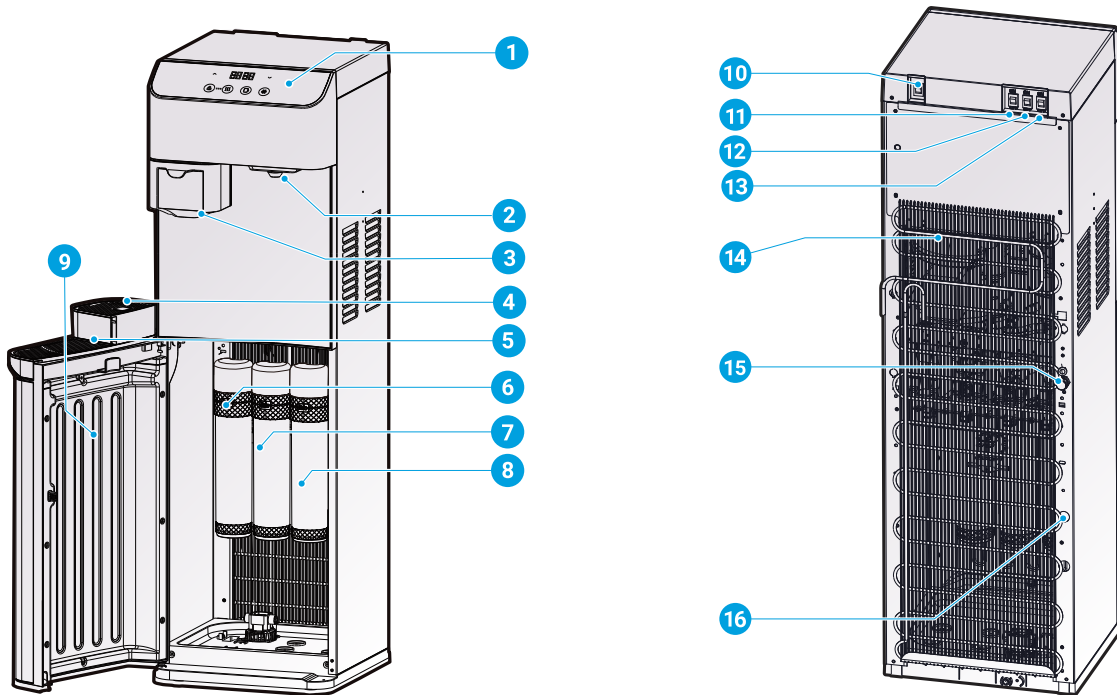
Intended Use

This appliance is intended to be used in household and similar applications such as:

- Staff kitchen areas in shops, offices and other working environments
- Farm houses
- Hotels, motels and other residential-type environments
- Bed-and-breakfast environments
- Catering and similar non-retail applications

This appliance is not intended for use by persons (including children) with reduced physical, sensory or mental capabilities, or lack of experience and knowledge, unless they have been given supervision or instruction concerning use of the appliance by a person responsible for their safety.

Product Features

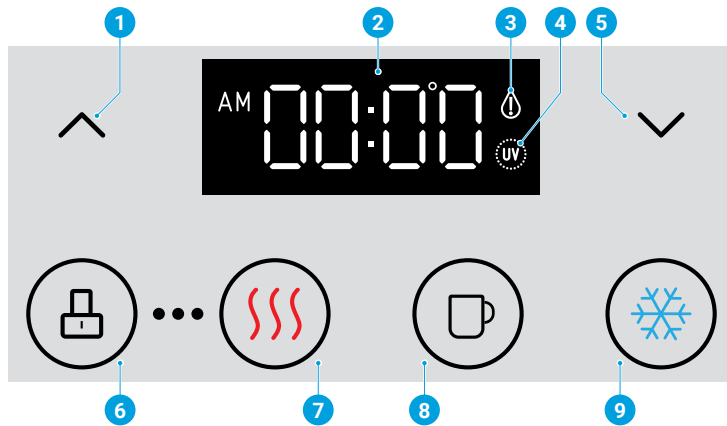


Part	Description
1	Touch panel display
2	Water tap
3	Brewer cup drawer
4	Coffee drip tray
5	Water drip tray
6	Sediment filter
7	Pre carbon filter
8	Carbon block filter

Part	Description
9	Filter cabinet
10	Filter reset switch
11	Night light switch
12	Cooling switch
13	Heating switch
14	Condenser
15	Drain outlet
16	Water inlet

Touch Panel Description

No.	Description
1	Up arrow button
2	LED display
3	Filter indicator icon
4	Self-cleaning UV icon
5	Down arrow button
6	Lock button
7	Hot water button
8	Brew button
9	Cold water button



Operational Specifications

Model No.	CLPOU730UVF3CF
Rated Voltage / Frequency	115 V / 60 Hz
Heating Power	700 W
Cooling Power	100 W
Operating Ambient Temperature	39–100 °F (4–38 °C)
Operating Humidity	≤90%
Operating source water TDS*	≤250 PPM

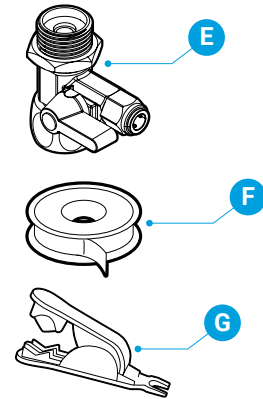
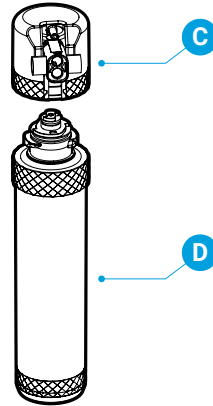
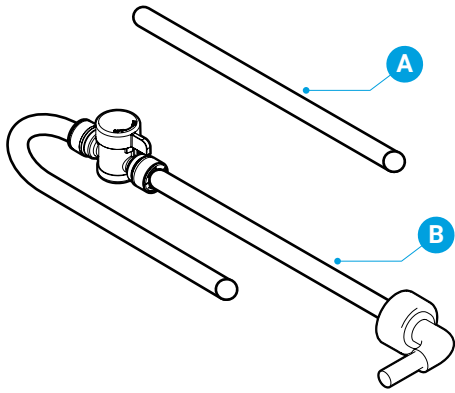
*Please note, hardness levels in source water greater than 250 ppm can cause scale buildup, resulting in permanent damage to the hot water tank.

Technical Specifications

CAUTION: This unit dispenses water at temperatures that can cause severe burns. Avoid direct contact with hot water. Keep children and pets away from unit while dispensing. Never allow children to dispense hot water without proper and direct supervision. Unplug unit to prevent unsupervised use by children.

Model No.	CLPOU730UVF3CF
Hot Water Tank Volume	1 L
Cold Water Tank Volume	3.6 L
Hot Water Capacity (Measured at Ambient Temperature of 77 °F / 25 °C)	6 L/h (≥185 °F / 85 °C)
Cold Water Capacity (Measured at Ambient Temperature of 77 °F / 25 °C)	2 L/h (≤50 °F / 10 °C)
Hot Water Flow Rate	≥1.5 L/min
Cold Water Flow Rate	≥2.7 L/min
Net Weight	40.62 lb (18.43 kg)
Product Dimensions (WxHxD)	12.2 x 40.94 x 13.39 in. (31 x 104 x 34 cm)
Water Dispense Point to Water Drip Tray	11.5 in. (29.21 cm)
Coffee Dispense Point to Coffee Drip Tray (H)	6.22 in. (15.8 cm)
Coffee Dispense Point to Water Drip Tray (H)	8.26 in. (20.98 cm)
Water Drip Tray Dimensions (WxD)	11.5 x 4 in. (29.21 x 10.16 cm)
Noise (dBA)	≤60 dB

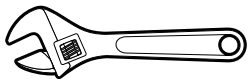
Package Contents



Part	Description	Quantity
A	Filter flushing tube	1
B	Shut-off valve tube (7 ft.)	1
C	Filter housing (for filter flushing)	1
D	Filters	3

Part	Description	Quantity
E	Feedwater adapter (with extra nut)	1
F	Plumber's tape	1
G	Tube cutter	1

Materials Needed



Wrench

Installation

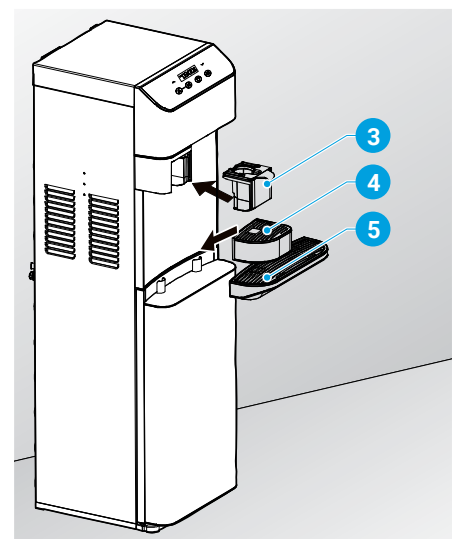
1. Determine Installation Location

- A. Place the dispenser upright.
- B. Locate the dispenser on a hard and level surface in a cool shaded location near a grounded wall outlet.

NOTICE: Do NOT plug in the power cord until the entire installation section is completed.
- C. Position the back of the dispenser no closer than 8 in. (20 cm) from a wall and permit free airflow between the wall and water dispenser.

2. Install the Brewer Drawer and Drip Trays

- A. Unwrap brewer cup drawer (3) and drip trays (4 and 5) from the packaging material and slide them onto the dispenser as shown in the illustration, until securely in place.

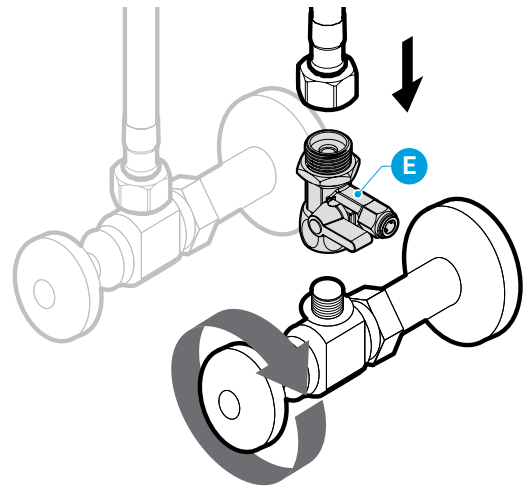


3. Connect to the Cold Water Supply

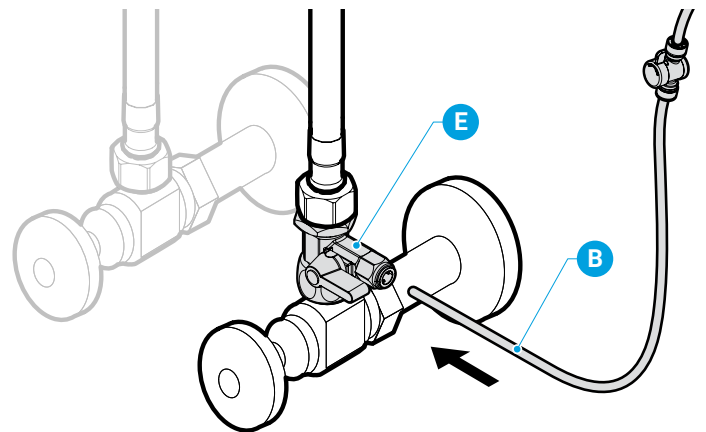
CAUTION: DO NOT CONNECT THIS WATER LINE TO A HOT WATER SUPPLY LINE. The water supply to the unit MUST be from the COLD WATER LINE. Using HOT WATER will severely damage your filters.

- A. Turn off the cold water supply, then disconnect the cold water pipe from the cold water supply line.
- B. Connect the feedwater adapter (E) to the cold water supply line.
- C. Connect the cold water pipe to the top of the feedwater adapter (E).

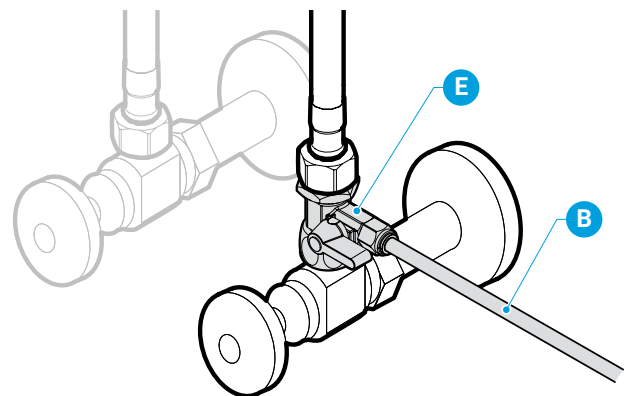
NOTE: An extra adapter nut is included on top of the feedwater adapter (E) to attach to a 3/8 in. or 1/2 in. feed plumbing line.



- D. Insert the shut-off valve with tube (B) straight into the quick connector piece of the feedwater adapter (E).



- E. Gently tug on the tube (B) to ensure a secure connection with the feedwater adapter (E).

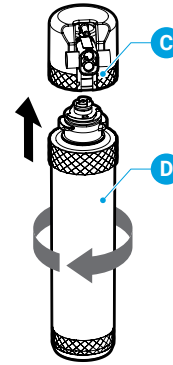


4. Flush the Filters

Follow this procedure each time you replace your filters.

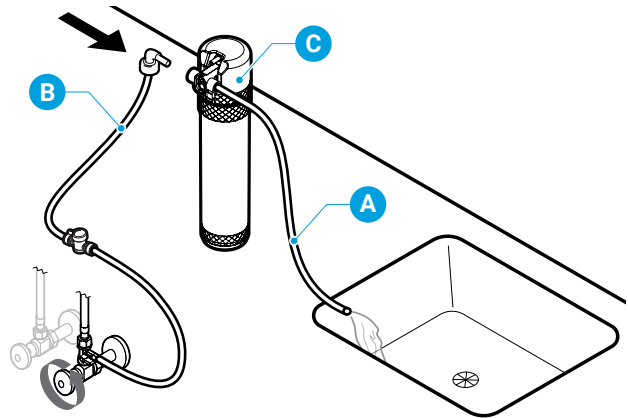
IMPORTANT: Ensure water supply is off before you begin.

- A. Connect a filter (D) to the filter housing (C) by twisting the filter (D) clockwise.



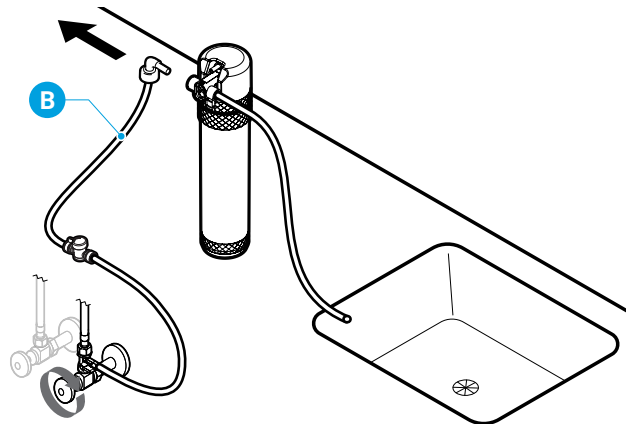
- B. Connect the tip of the shut-off valve tube (B) to the left side of the filter housing (C).

- C. Connect the filter flushing tube (A) to the right side of the filter housing (C) and lay the open end of the filter flushing tube (A) over a sink or receptacle to collect water.



- D. Follow instructions in table below to flush filters.

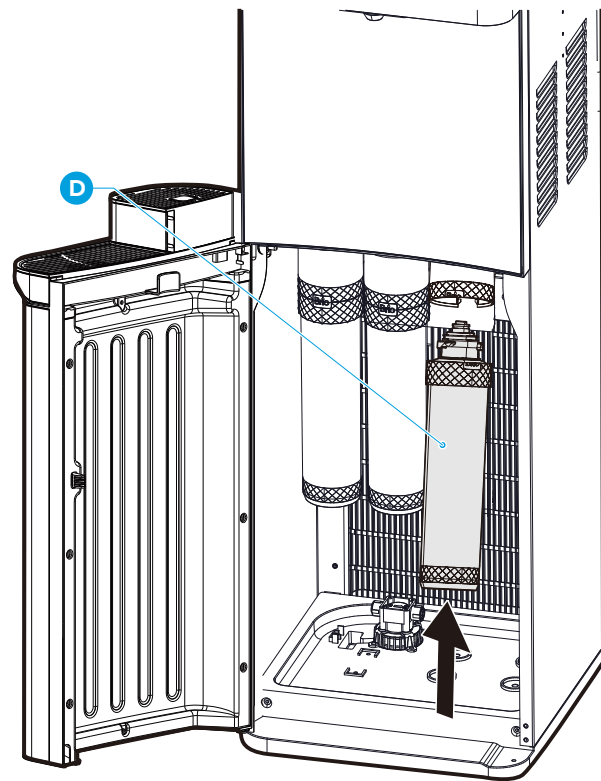
IMPORTANT: After each filter is flushed, be sure to shut off water supply before disconnecting tubes to flush the next filter.



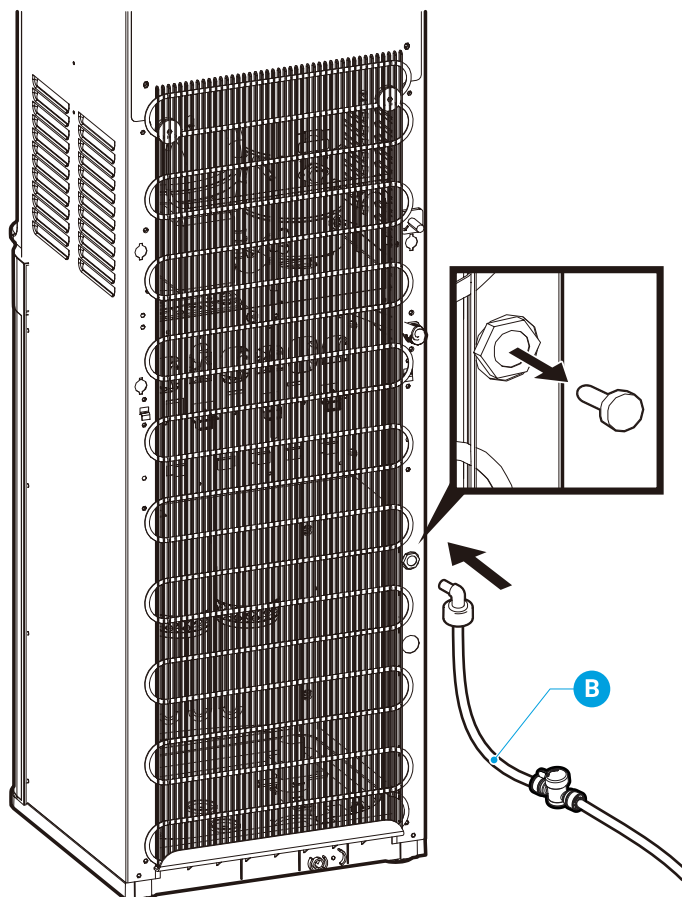
Stage 1: Sediment Filter	Stage 2: Pre Carbon Filter	Stage 3: Carbon Block Filter
At first, water may appear cloudy.	At first, water may contain black debris.	At first, water may contain black debris.
Flush filter for an additional 4 minutes <u>after</u> water runs clear.	Flush filter for up to 6 minutes or until water runs clear.	Flush filter for up to 4 minutes or until water runs clear.

5. Install the Filters and Complete the Installation

- A.** After flushing, twist each filter (D) clockwise into the filter housings located inside the dispenser cabinet. The sediment filter goes on the left, followed by the pre carbon and carbon block filters.



- B.** Remove the safety plug from the water inlet hole on the back of the dispenser by pushing in the inlet hole collar and then gently pulling out the plug.
- C.** Connect the tip of the shut-off valve tube (B) into the water inlet hole on the back of the dispenser. Then turn on the main water supply and ensure the valve in the tube (B) is on.



Operation

IMPORTANT: This unit has been tested and sanitized prior to packing and shipping. During transit, dust and odors can accumulate in the tank and lines. Dispense and dispose at least one liter of water prior to drinking any water.

Turn the Dispenser On/Off

IMPORTANT: Before activating heating and cooling switches, ensure water has filled the tanks inside the dispenser in order to prevent dry heating.

1. Plug in the dispenser.
2. Wait approximately 5 to 8 minutes to allow tanks to fill.
3. Place a container under the water tap. Press the cold water button and dispense 1 liter of water. Discard water.
4. Place the container under the water tap. Press the hot water button and dispense 1 liter of water. Discard water.
5. Repeat steps 3 and 4 three more times.
6. To power on the cooling system, flip the cooling switch on the back of the dispenser to the On position. The cold water button on the front of dispenser illuminates in blue indicating that the dispenser is cooling water. The light changes to white when the cooling process is complete.
7. To power on the heating system, flip the heating switch on the back of the dispenser to the On position. The hot water button on the front of the dispenser illuminates in red indicating that the dispenser is heating water. The light changes to white when the heating process is complete.

Set the Time

1. Simultaneously press and hold the up and down arrow buttons for 3 seconds or until the time begins to flash on the digital clock.
2. To set the hour, press the hot water button. The hour on the clock begins to flash. Use the up and down arrow buttons to scroll to the correct hour.
3. To set the minutes, press the cold water button. The minutes on the clock begin to flash. Use the up and down arrow buttons to scroll to the correct minutes.
4. Press the lock button until the selected time stops flashing. The time is now set.

Set the Cold Water Temperature Level

You can select from 3 different cold water dispensing temperature levels: C1 (cold), C2 (colder), and C3 (coldest).

Temperature Level	Dispensing Temperature Range
C1	49°F to 55°F
C2	43°F to 49°F
C3	37°F to 43°F

NOTE: The default temperature dispensing level for cold water is C3 (coldest).

To change the cold water temperature dispensing level, please do the following:

1. Simultaneously press and hold the down arrow and cold water button for 3 seconds. The cold water button and LED display show current cold water temperature level begin to flash.
2. Press the up or down arrow to scroll through the 3 options. They will be displayed as C1, C2, and C3. After you have reached the desired temperature level, quickly press the lock button. The new level is now set. It takes approximately 2 hours for the cold water temperature range to adjust to the new level. During the adjustment process, the cold water light will illuminate in blue. Once the new level has been reached, the light will change to white.

NOTE: Cold water temperature is measured inside cold reservoir tank. Due to many variables, including but not limited to, ambient temperature, water receptacle size/temperature, internal travel from reservoir tank to dispense point, etc., temperature range of water dispensed will vary from stated range.

Dispense Cold Water

NOTE: Water will take approximately 1 hour after plugging in and turning on to become completely chilled.

1. Place a drinking glass or container under the tap and press the cold water button to dispense cold water.
2. Release the button when your container is full.

Disable Child Safety Lock and Dispense Hot Water

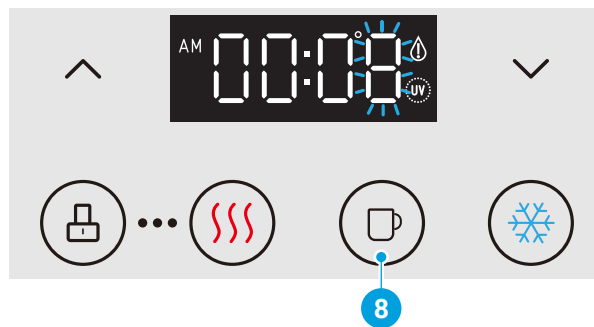
CAUTION: This unit dispenses water at temperatures that can cause severe burns. Avoid direct contact with hot water. Keep children and pets away from the unit while dispensing. Never allow children to dispense hot water without proper and direct supervision. Disable the heating feature by switching the heating switch to the Off position.

NOTE: Water will take approximately 15-20 minutes after plugging in and turning on to reach its hottest temperature.

1. This water dispenser is equipped with a child safety feature in order to prevent inadvertent dispensing. To disable the child safety lock feature, press the lock button.
2. To dispense hot water, place a drinking glass or container under the tap and press the hot water button.
3. Release the button when your container is full. Hot water button automatically relocks.

Prepare Beverages

1. Pull out the brewer cup drawer and remove it completely from the dispenser.
2. Insert coffee capsule of your choice (sold separately) and press it firmly into place until the needle has fully punctured the bottom of the capsule, and the top of the capsule is level with the top of the drawer.
3. Slide the drawer into the dispenser and press until firmly in place. The 8-ounce serving size light will flash on the display screen.
4. Press the Up arrow button or Down arrow button for your desired serving size of 6, 8, or 10 ounces. Once your size selection has been made, press the Brew button (10). The screen will display the selected beverage size and the coffee button light will flash, then brewing will begin. There may be a short delay if hot water has not reached the appropriate temperature. Brewing will commence as soon as temperature is reached.



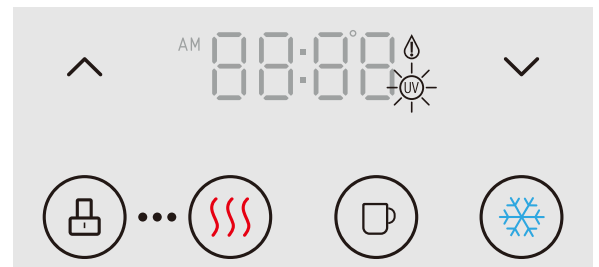
5. If you don't make a serving size selection within 5 seconds, the serving size light will turn off to prevent inadvertent dispensing of hot water. To reactivate serving size selection, simply remove and reinsert brewer cup drawer, then make your selection.
6. When brewing is complete, pull out the drawer and discard the used coffee capsule, then reinsert drawer in dispenser.
7. Approximately three 6- or 8-ounce servings, or two 10-ounce servings can be brewed consecutively. The hot water button light will illuminate in red as water is heating for the next serving. Please note that it may take a few minutes for the next brewing cycle to commence.

Troubleshooting

Problem	Solution
The cold water is not cold.	<ul style="list-style-type: none"> It takes up to one hour after setup to dispense cold water. Make sure the power cord is properly connected to a working outlet. Make sure the back of the dispenser is at least 20 cm from a wall and there is free airflow on all 20 cm sides of the dispenser. Make sure green power switch on back of dispenser is On.
The hot water is not hot.	<ul style="list-style-type: none"> It takes 15-20 minutes after setup to dispense hot water. Make sure the power cord is properly connected to a working outlet. Make sure red power switch on back of dispenser is On.
Water flow is slow.	<ul style="list-style-type: none"> Water output may slow or decrease if there has been continuous dispensing. Allow tanks to refill before dispensing.
The night light is not working.	<ul style="list-style-type: none"> Make sure the power cord is properly connected to a working outlet Make sure the night light power switch on back of dispenser is On.
The dispenser is noisy.	<ul style="list-style-type: none"> Ensure the dispenser is located on a level surface. The heating tube may be generating a slight noise. This is normal.
There is water leakage.	<p>If the LED display is flashing, a leak was detected.</p> <ul style="list-style-type: none"> The tubing or piping is not connected properly. Check all water connections and tubes to ensure proper connections. The water and/or PE tubes have burst. Turn off water supply and replace immediately.
The dispenser is not dispensing water.	<ul style="list-style-type: none"> The dispenser has become too cold and the lines are blocked by ice. Turn off the cooling switch for at least 4 hours to allow the water in the lines to thaw.
The dispenser is not dispensing coffee or is dispensing coffee slowly.	<ul style="list-style-type: none"> Brew coffee without using coffee capsules several times, or until water dispenses normally from coffee brewer.

Cleaning and Maintenance

The dispenser runs on a continuous UV cleaning cycle. It works for 40 minutes (UV icon on the display is on), turns off for 140 minutes, and then cycles back on again as long as the dispenser is plugged in and on. You can dispense water when the UV light is on.



Care and Maintenance

- Brewer cup drawer and drip trays are dishwasher safe; however, washing in high temperatures or using a “sanitize” cycle is not advised.
- Keep this dispenser in a dry and cool place and avoid direct sunshine.
- Ensure the back of the dispenser is at least 8 in. (20 cm) away from the wall.
- Never put the dispenser on paper or foam, which may store water and then cause creepage. Never put anything flammable beside this machine.
- Do not use the dispenser outdoors or in a place that can be splashed by water.
- If the dispenser is not in use for longer than a 24-hour period, turn off heating and cooling switches to save power and drain any remaining water.
- Empty and clean the drip tray and grid as needed.

Filter Replacement Schedule

Filter Type	Model No.	Replacement Schedule	Function
Sediment	NFMPP5M	6-12 months or 950 gallons	Performs coarse filtration of inlet water, removing sand, rust, dirt, and other suspended solids.
Pre Carbon	NFMGAC	6-12 months or 950 gallons	Removes chlorine, and other unpleasant tastes and odors.
Carbon Block	NFMCTO5MS3	6-12 months or 950 gallons	Performs final polish, removing any residual impurities.

Replace the Filters

IMPORTANT: Only replace the filters with new filters designed for this dispenser. Any other type of filter will damage the machine and void any warranty.

When the filter indicator light steadily illuminates and the dispenser beeps, the filters have expired and must be replaced immediately.

To replace, do the following:

1. Shut off the water supply.
2. To flush your new filters, follow the instructions under “Flush the Filters.”
3. Remove the expired filters and replace with new filters. Ensure the filters are installed as follows, from left to right: sediment filter, pre carbon filter, carbon block filter.
4. After replacing the filters, press and hold the filter reset switch (10) on the back of the dispenser for approximately 3 seconds to reset the filter indicator and turn off the beeping. When beeping stops, release the switch.

Filter Specifications

Sediment Filter

(Sediment, Dirt and Rust Removal)

Filter Capacity	950 Gallons
Flow Rate	0.8 GPM
Suggested PSI	14.5 - 58 psi
Temperature	33 - 100 °F

Pre Carbon Filter

(Chlorine, Taste and Odor Reduction)

Filter Capacity	950 Gallons
Flow Rate	0.8 GPM
Suggested PSI	14.5 - 58 psi
Temperature	33 - 100 °F

Carbon Block Filter

(Final Polish)

Filter Capacity	950 Gallons
Flow Rate	0.8 GPM
Suggested PSI	14.5 - 58 psi
Temperature	33 - 100 °F

Warranty

Brio (“Vendor”) warrants to the original purchaser of the Brio Water Coolers (the “Product”), and to no other person, that if the Product is assembled and operated in accordance with the printed instructions accompanying it, then for a period of one (1) year from the date of purchase, all parts in the Product shall be free from defects in material and workmanship. This Limited Warranty shall be limited to repair or replacement of parts, which prove defective under normal use and service and which Vendor shall determine in its reasonable discretion upon examination to be defective. To take advantage of this Limited Warranty, please follow these steps:

1. Please retain your sales slip or invoice, as Vendor may require reasonable proof of your date of purchase.
2. Contact Vendor’s Customer Service Department using the contact information listed below.
3. Return parts to Vendor, per Vendor’s instructions, at your cost and expense.
4. Upon receipt by Vendor, Vendor shall advise you in writing whether a defect covered by this Limited Warranty exists in any returned part and whether your claim has been approved or denied.
5. Upon Vendor’s approval of your claim, Vendor will replace such defective part without charge to you.

WHAT THIS LIMITED WARRANTY DOES NOT COVER: This Limited Warranty does not cover any failures or operating difficulties of the Product due to accident, abuse, misuse, alteration, misapplication, improper installation or improper maintenance or service by you or any third party, or failure to perform normal and routine maintenance on the Product, as set out in the User’s Manual. In addition, this Limited Warranty does not cover damages to the finish, such as scratches, dents, discoloration or rust after purchase.

This Limited Warranty is the only express warranty given on the Product and is in lieu of all other express warranties. Vendor disclaims all warranties for products that are purchased from seller other than authorized retailers or distributors. THIS LIMITED WARRANTY RESTRICTS THE DURATION OF ANY AND ALL IMPLIED WARRANTIES, INCLUDING WITHOUT LIMITATION, THE IMPLIED WARRANTY OF MERCHANTABILITY AND FITNESS FOR A PARTICULAR PURPOSE TO THE ONE (1) YEAR TERM OF THIS LIMITED WARRANTY. UPON THE EXPIRATION OF THE ONE (1) YEAR TERM OF THIS LIMITED WARRANTY, VENDOR DISCLAIMS ANY AND ALL IMPLIED WARRANTIES, INCLUDING WITHOUT LIMITATION THE IMPLIED WARRANTIES OF MERCHANTABILITY AND FITNESS FOR A PARTICULAR PURPOSE, THE PRODUCT BEING THUS SOLD AS-IS, WITH ALL FAULTS. FURTHER, VENDOR SHALL HAVE NO LIABILITY WHATSOEVER TO PURCHASER OR ANY THIRD PARTY FOR ANY SPECIAL, INDIRECT, PUNITIVE, INCIDENTAL, OR CONSEQUENTIAL DAMAGES. OTHER THAN THIS LIMITED WARRANTY, THERE ARE NO WARRANTIES WHICH EXTEND BEYOND THE DESCRIPTION ON THE FACE HEREOF. Vendor assumes no responsibility for any defects caused by third parties. This Limited Warranty gives you specific legal rights, and you may have other rights which vary from state to state. State law may also override statements in this Limited Warranty regarding the restriction on the duration of implied warranties. Some jurisdictions do not allow exclusion or limitation of special, incidental or consequential damages, or limitations on how long a warranty lasts, so the above exclusion and limitations may not apply to you.

Brio[®]

www.briowater.com