

Instant Hot Water Dispenser System with 3-Stage Filtration & Dual Flow Faucet

User Manual for Model Nos.:

CLIH300CP, CLIH300BN, CLIH300BLK, CLIH300BG, CLIH300RG, CLIH300RB

Table of Contents

General Safety Information	3
Electrical Safety Information	3
Installation and Usage Requirements	4
Intended Use	4
Product Features	5
Filtration System	5
Instant Hot Water Boiler, Faucet, and Components	6
Operational Specifications	7
Technical Specifications	7
Install Filtration System	7
Materials Needed	7
Filtration System Installation Overview	8
Connect to the Cold Water Supply	9
Install the Battery	10
Make the Connections	10
Install Boiler, Faucet, and Tubing	10
Materials Needed	10
Install Boiler	10
Install Instant Hot Water Faucet	11
Connect the Tubes and Hoses	12
Overview of Completed Installation	13
Flush the Filters	13
Prime the Boiler Tank and Check for Leaks	13
Operation	14
Connect Boiler to Power	14
Dispense Instant Hot Water	14
Dispense Ambient Water	14
Dry-Burn Protection Sensor	14
Irregular Water Production	15
Cleaning and Maintenance	15
Seasonal or Long-Term Shutdown	15
Descaling the System	15
Replace the Filters	16
Filter Specifications	16
Replace the Battery	17
Troubleshooting	18
Warranty	19

General Safety Information

WARNING: To reduce risk of fire, injury, and property damage, you must read this entire manual before installing and operating this instant hot water dispenser system.

- This instant hot water dispenser system is NOT intended for commercial use. It MUST be used for domestic purposes only, and only for the purposes for which it was intended.
- This instant hot water dispenser system can cause injury if installed incorrectly and should only be installed by a person knowledgeable about the appliance. If, for any reason, you are unsure about installation, contact a qualified plumber or electrician to install the appliance for you.
- Ensure all electrical wiring and connections conform to local standards.
- Make sure all water connections conform to local standards.
- This instant hot water dispenser system is an open-vented system appliance. When not being operated the appliance's pressure is 14.5 psi. Its operating pressure is 30-72.5 psi. However, if inlet water pressure is higher than 43.5 psi, we suggest installing a pressure reduction valve on the inlet water tube.
- The filters of the water filtration system included with the instant hot water dispenser must be replaced every 6 months or warranty may be voided.

Electrical Safety Information

WARNING: When using electrical appliances, basic safety precautions should always be followed, including the following:

- Using an ungrounded or improper connection of the power supply to the product can result in serious injury or death from electrical shock.
- A standard 110/120 V, 60 Hz, AC-only 16amp fused, grounded electrical power supply is required under the sink for the instant hot water dispenser's electrical power. It is recommended that a separate circuit serving only the instant hot water dispenser be provided. The power source must supply electrical power continuously to the boiler.
- Use properly grounded socket ONLY. Do NOT attempt to alter the instant hot water dispenser's plug in any way. Do NOT use an extension cord. If a proper outlet is not available, it is your responsibility to have a properly grounded outlet installed by a qualified electrician.
- To protect against electrical shock, do NOT place power cord, plugs, or boiler near, on, or in water or other liquids. Do NOT handle appliance controls, switches, or electrical outlet with wet hands.
- Check the power rating of the instant hot water dispenser system to ensure it is suitable for the power rating of the electrical circuit on which it is being installed.
- Do NOT operate or install the instant hot water dispenser system if it appears to have any missing parts or components or is damaged in any way.
- Do NOT attempt to open, modify, or service this instant hot water dispenser system. Do NOT disassemble the boiler. Repairs should be carried out by authorized service personnel only.
- Turn off all controls and switches before unplugging.
- Do NOT unplug instant hot water boiler by pulling or yanking on power cord. To unplug, grasp the plug and pull from socket.

Installation and Usage Requirements

WARNING: Install the instant hot water dispenser according to the following guidelines:

- Do NOT install the instant hot water dispenser outdoors or in a location where the ambient temperature may fall below 32 °F (0 °C) otherwise damage to the instant hot water dispenser system and serious injury may occur.
- The instant hot water boiler MUST be installed vertically as shown on the front cover of this manual, with inlet and outlet connections at the top of the boiler.
- The instant hot water boiler must be installed so that the power cord and all tubing can connect without being stretched.
- The installation environment should be well ventilated and away from direct sunshine. When installing the instant hot water boiler, provide approximately 4-5.5 in. (10-14 cm) of air space on both sides of the unit, and 1 in. (2.54 cm) of air space between the boiler and the back wall, to allow for free air circulation.
- The environmental humidity should be between 10% and 60%.
- Do NOT connect a standard faucet to the instant hot water boiler. This will cause damage to the instant hot water dispenser system and void the warranty. Use only the faucet included with this instant hot water dispenser system.
- To avoid the risk of flooding, regularly inspect connections for any signs of leakage.

NOTE: The instant hot water boiler has two temperature settings: 203 °F (95 °C) and 208 °F (98 °C). There are factors that may influence the water temperature that the instant hot water boiler produces, including inlet water temperature, atmospheric pressure, and altitude. If you experience any discharge of hot water from the faucet spout, reduce the temperature on the boiler to its lower temperature. If you encounter any further problems, please reach out to customer service for guidance.

WARNING: Precautions for use of button battery.

- Chemical burn hazard. Keep battery away from children.
- This product contains a lithium button/coin cell battery.
- If a new or used lithium button/coin cell battery is swallowed or enters the body, it can cause severe internal burns and can lead to death in as little as 2 hours.
- If you think battery has been swallowed or placed inside any part of the body, seek immediate medical attention.
- Always completely secure the battery compartment. If the battery compartment does not close securely, stop using the product and immediately remove the battery.
- Immediately and safely dispose of battery, keeping it securely out of reach of children.

Intended Use

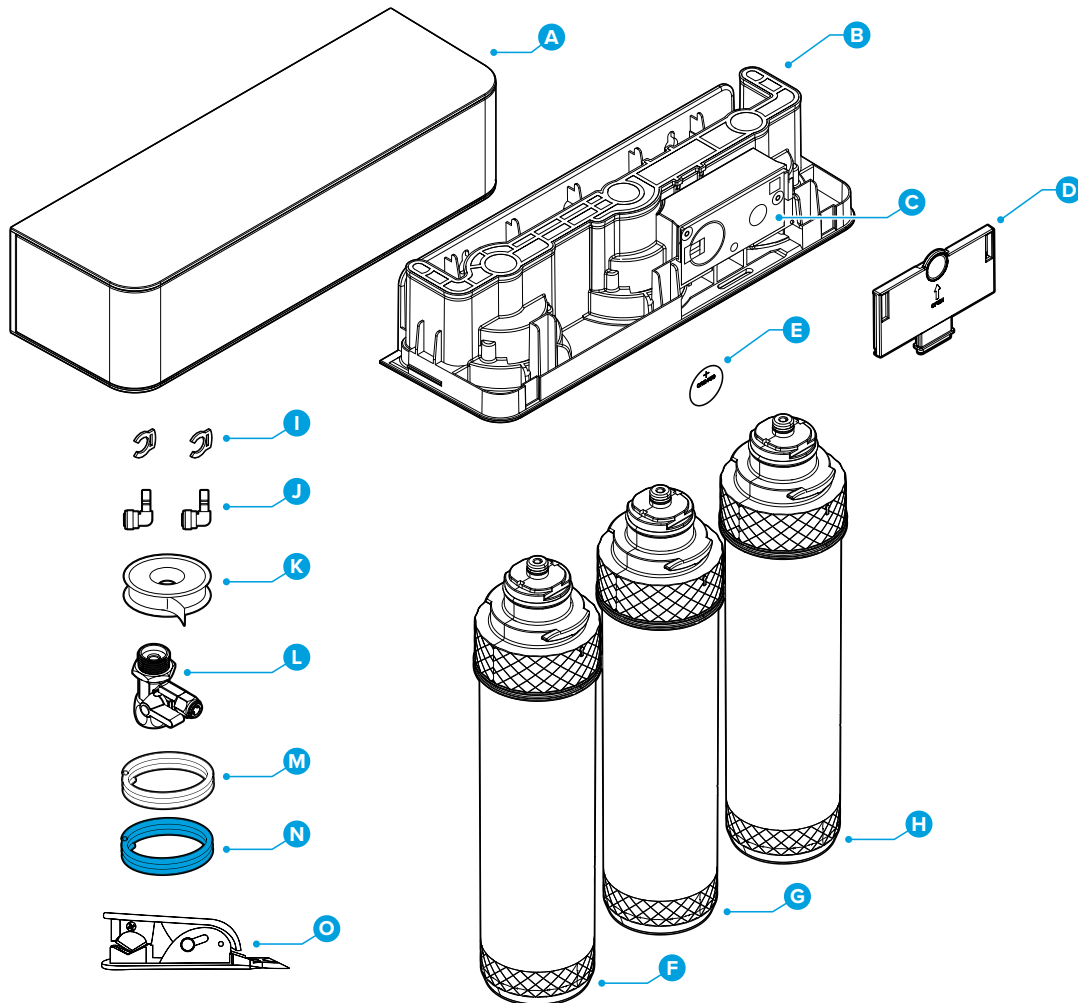
This instant hot water dispenser is NOT intended for commercial use. This instant hot water dispenser MUST be used for domestic purposes only, and only for the purposes for which it was intended.

This instant hot water dispenser is NOT intended for use by persons (including children) with reduced physical, sensory, or mental capabilities, or lack of experience and knowledge, unless they have been given supervision or instruction concerning the use of this instant hot water dispenser by a person responsible for their safety. Children should be supervised to ensure they do not play with the instant hot water boiler or instant hot water faucet. A safety springback handle is used to control the flow of the near-boiling water for additional safety.

Product Features

Your package contains three numbered boxes, each containing a component of the dispenser system: 1. Filtration system; 2. Boiler tank; 3. Instant hot water faucet. Open and inspect each box, comparing contents with lists provided below and ensure everything has been included. Contact us immediately if anything is missing.

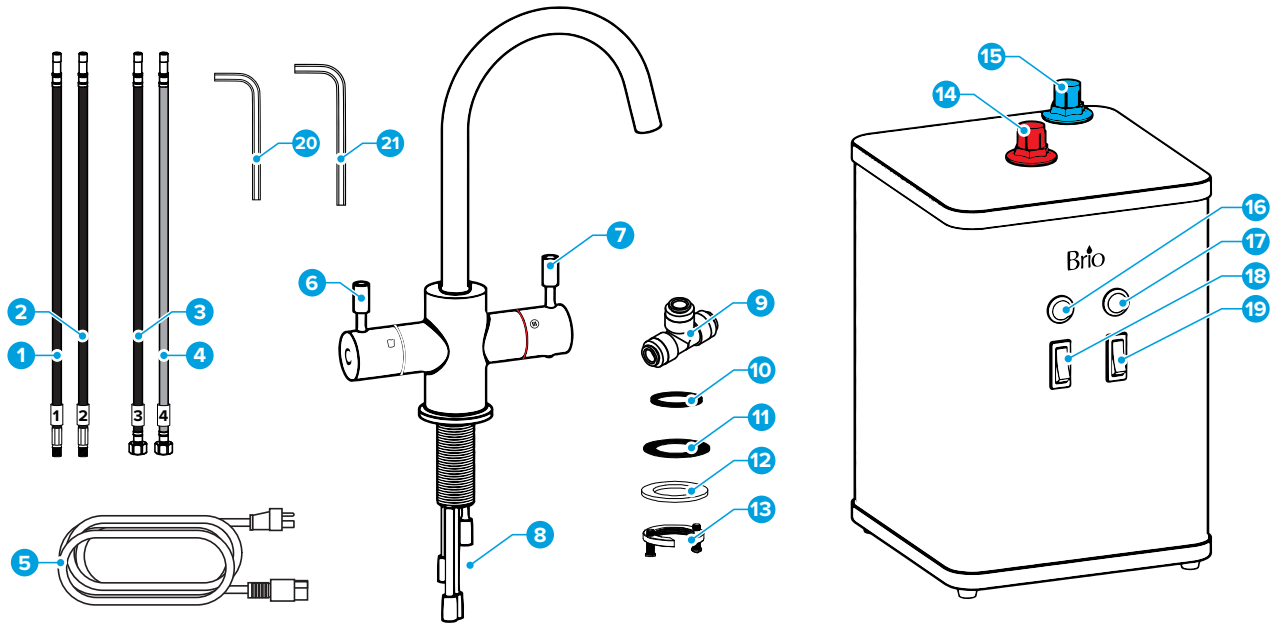
1. Box 1: Filtration System



Part	Description	No.
A	Top cover	1
B	Filter housing	1
C	Indicator panel	1
D	Transparent cover plate	1
E	Battery CR2450	1
F	Sediment filter (pre-installed)	1
G	Carbon block filter (pre-installed)	1
H	Post carbon filter (pre-installed)	1

Part	Description	No.
I	Locking clip	2
J	Elbow quick-connect, 1/4"	2
K	Plumber's tape	1
L	Feedwater adapter	1
M	White inlet water tube	1
N	Blue filtration system tube	1
O	Tube cutter	1

2. Boxes 2 & 3: Instant Hot Water Boiler, Faucet, and Components



Part	Description
1	Hose 1 (T-connect to faucet/boiler)
2	Hose 2 (T-connect to faucet)
3	Hose 3 (faucet to blue boiler inlet)
4	Hose 4 (faucet to red boiler outlet)
5	Power cord
6	Ambient water handle
7	Instant hot water handle
8	Numbered faucet stems
9	T-connect
10	O-ring
11	Rubber washer

Part	Description
12	Metal washer
13	Fixing nut with screws
14	Boiling water outlet (red)
15	Filtered water inlet (blue)
16	Temperature indicator light
17	Lack of water indicator light
18	Heating temperature switch
19	On/Off switch
20	2mm Allen wrench (for spout)*
21	2.5mm Allen wrench (for faucet handle)*

*Two Allen wrenches have been included to facilitate any faucet repairs or parts replacements that might need to be made. HOWEVER, we strongly recommend consulting a trained professional before attempting any repairs or replacements to avoid any damage to the faucet.

3. Operational Specifications

You must use the instant hot water dispenser system within the following operational parameters to ensure safe, optimal performance.

Model Nos.	CLIH300CP, CLIH300BN, CLIH300BLK, CLIH300BG, CLIH300RG, CLIH300RB
Rated Voltage / Frequency	110–120 V / 60 Hz
Rated Power	1500 W
Required counter depth for faucet	0.196–1.18 in. (0.5–3 cm)
Inlet Water Dynamic Pressure*	30–43.5 psi
Operating Source Water TDS**	≤200 ppm
Feedwater Temperature	41–100 °F (5–38 °C)
Operating Ambient Temperature	41–100 °F (5–38 °C)
Operating Ambient Humidity	10–60%
Filter Replacement Rate	Every 6 months

*Optimal pressure for this system is 30 to 43.5 psi. If inlet water pressure is higher than 43.5 psi, we recommend installing a pressure reduction valve.

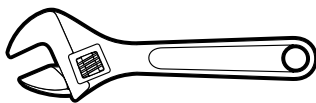
**Please note, hardness levels in source water greater than 200 ppm can cause scale buildup. If your inlet water TDS is greater than 200 ppm, we recommend doing a descaling cleaning every 2 to 3 months.

4. Technical Specifications

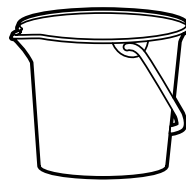
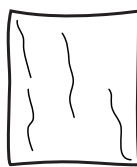
Model Nos.	CLIH300CP, CLIH300BN, CLIH300BLK, CLIH300BG, CLIH300RG, CLIH300RB
Boiler Dimensions (WxHxD)	7.48 x 10.44 x 7.48 in. (19 x 26 x 19 cm)
Faucet Dimensions	Spout reach: 5.48 in. (13.93 cm)
Net Weight	Boiler: 9.04 lb (4.1 kg) Faucet: 3.08 lb (1.4 kg)
Boiler Tank Volume	2.4 L
Initial Heating Time	8–9 mins
Reheating Time	2–3 mins
Hot Water Flow Rate	1.5 L/min at >194 °F (90 °C)
Ambient Water Flow Rate	5.6 L/min
System	Non-pressure

Install Filtration System

1. Materials Needed

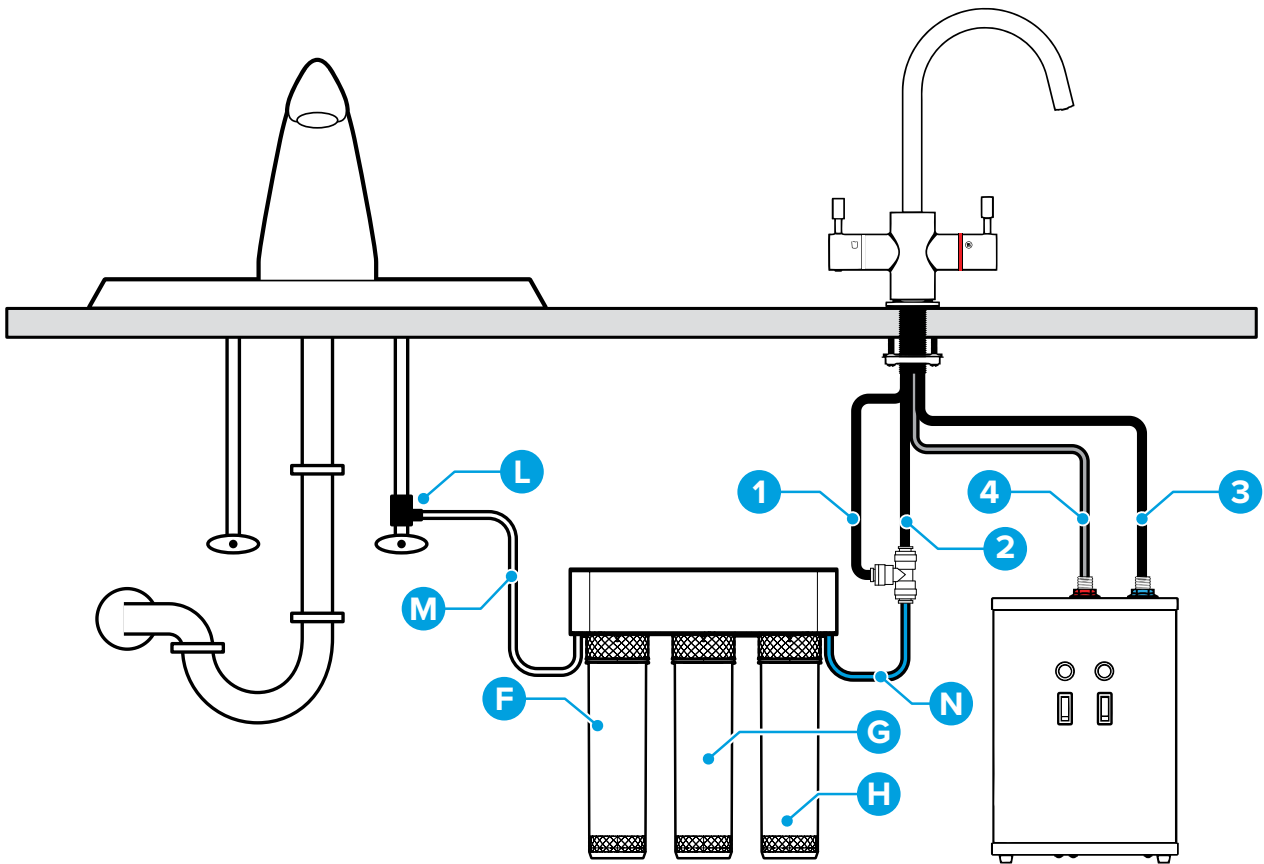


Adjustable wrench



Towel or bucket

2. Filtration System Installation Overview



Part	Description
F	Sediment filter (stage 1)
G	Carbon block filter (stage 2)
H	Post carbon filter (stage 3)
L	Feedwater adapter
M	White inlet water tube

Part	Description
N	Blue filtration system tube
1	Hose 1
2	Hose 2
3	Hose 3
4	Hose 4

3. Connect to the Cold Water Supply

CAUTION: DO NOT CONNECT THIS WATER LINE TO A HOT WATER SUPPLY LINE. The water supply to the unit MUST be from the COLD WATER LINE. Using HOT WATER will severely damage the filters

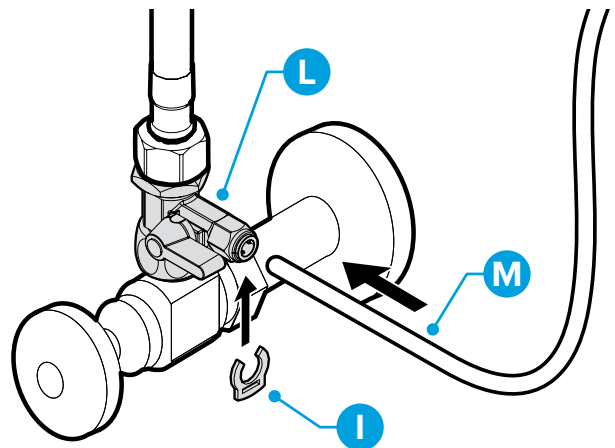
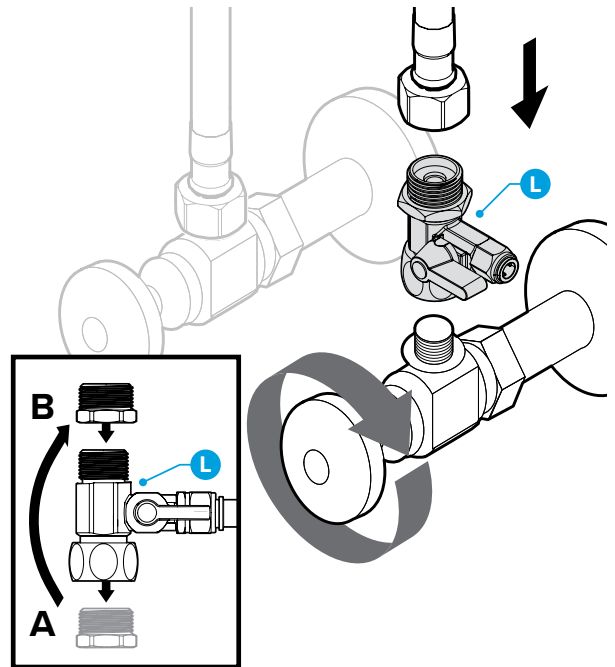
- A. Turn off the cold water supply valve.
- B. Turn on the existing faucet to release the water pressure.

NOTE: Make sure the water has completely drained before proceeding to the next step. Use a towel or bucket to catch any excess water.

- C. Using an adjustable wrench, disconnect the cold water pipe from the cold water supply line.

NOTE: If the cold water pipe is 1/2 in., unscrew the converter from the A end of the feedwater adapter (L), and then screw it on the B end of the feedwater adapter.

- D. Tighten the converter.
- E. Twist the feedwater adapter onto the cold water supply line and tighten it using an adjustable wrench.
- F. Twist the cold water pipe to the top of the feedwater adapter and tighten it using an adjustable wrench.
- G. Insert the one end of the white inlet water tube (M) into the quick connector on the feedwater adapter (L) and pop in the locking clip (I) on the fitting.
- H. Gently tug on the white inlet water tube to ensure a secure connection with the fitting.



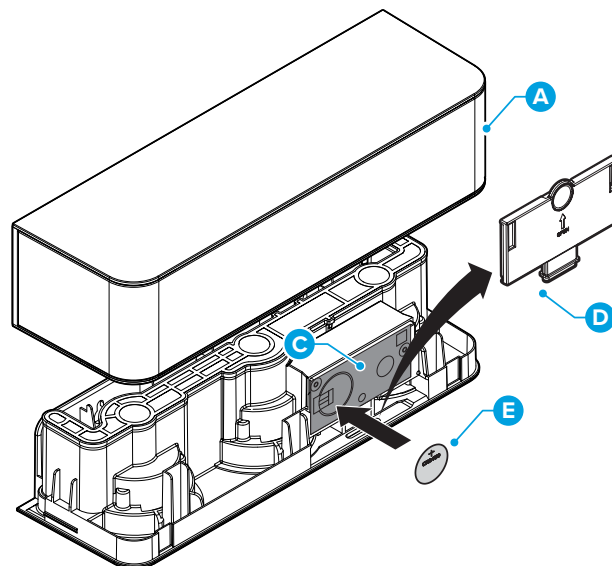
4. Install the Battery

A. Lift off the top cover (A) of the filter housing and remove the transparent cover plate (D).

B. Insert the battery (E) into the indicator panel (C). The positive side of the battery should be facing outward.

NOTE: Upon initial insertion of the battery, the red LED light on the indicator panel illuminates and the unit beeps 5 times.

C. Reassemble the transparent cover plate (D) and the top cover (A).

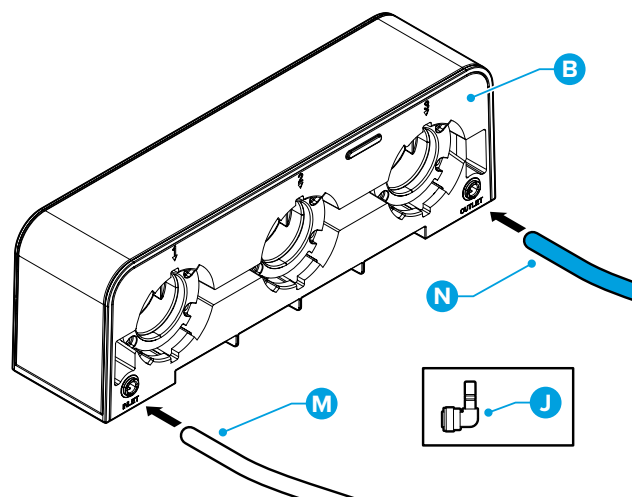


5. Make the Connections

NOTE: Filters come pre-installed. They have been removed from the next 2 illustrations for clarity.

A. Insert the other end of the white inlet water tube (M) into the water inlet end of the filter housing (B). If needed to accommodate the angle, use the elbow quick-connects (J) provided.

B. Insert the other end of the blue outlet water tubing (N) into the water outlet end of the filter housing (B). If needed to accommodate the angle, use the elbow quick connects (J) provided.

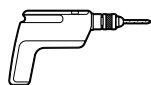


Install Boiler, Faucet, and Tubing

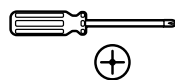
1. Materials Needed



Adjustable wrench



Power drill with 1" bit



Phillips head screwdriver

2. Install Boiler

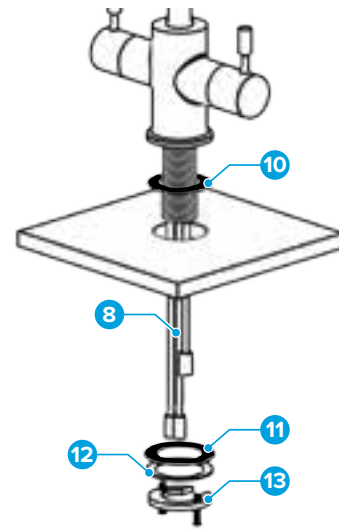
IMPORTANT: Do NOT connect instant hot water boiler power cord to grounded outlet until entire installation is complete.

Position the instant hot water boiler so that the power cord and all tubing can connect without being stretched, ideally directly below the instant hot water faucet. Tubing should not be twisted or kinked.

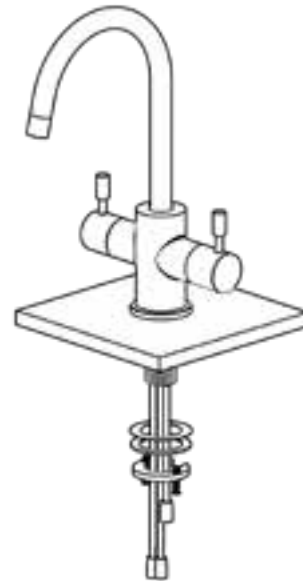
3. Install Instant Hot Water Faucet

NOTE: If you do not have a faucet hole, one will need to be drilled. If you are unsure how to drill a faucet hole, contact the appropriate professional to drill one for you. The hole should be 1-1.1 in. (2.54-2.79 cm) in diameter.

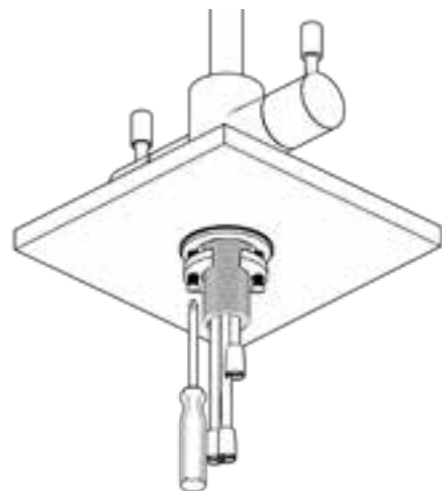
- A. Thread all 4 faucet stems (8) through the O-ring (10), so that the O-ring sits between the faucet and the countertop. Thread the 4 faucet stems through the drilled faucet hole.



- B. Underneath the countertop, slip the rubber washer (11) followed by the metal washer (12) onto the 4 stems. Screw the fixing nut with screws (13) onto the threaded portion of the faucet. Rotate fixing nut upward by hand until the fixing nut screws, when tightened, can secure the washers and faucet to the counter.



- C. Using a Phillips head screwdriver, tighten the screws in the fixing nut against the metal washer so that the faucet is securely attached to the counter.

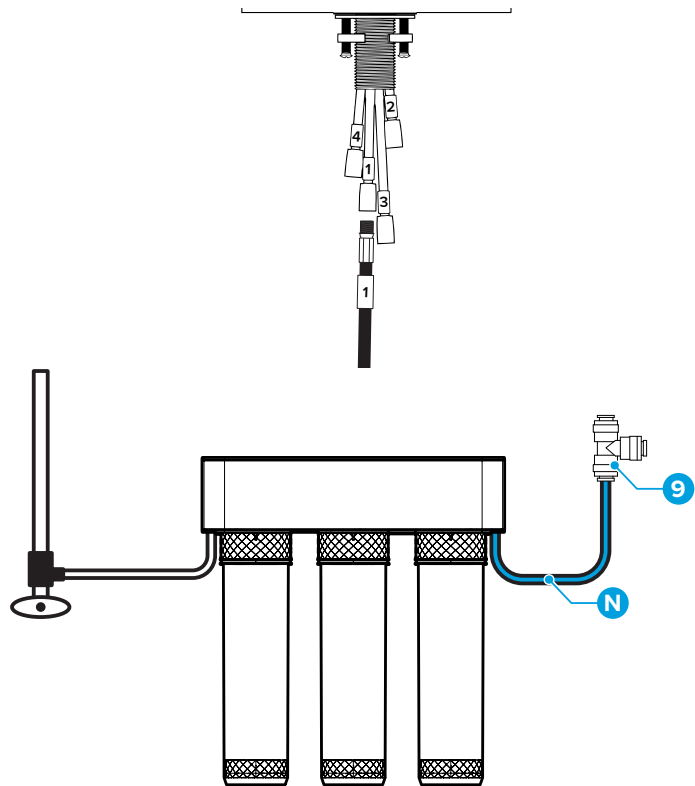


4. Connect the Tubes and Hoses

NOTE: Faucet stems and braided hoses have been identified with a matching number system to facilitate installation.

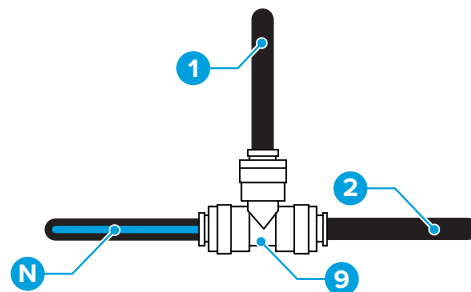
- A. One by one, attach each of the 4 faucet hoses to its matching numbered stem. Carefully tighten to ensure a secure fit for each.

- B. Connect the blue filtration system tube (N) to the 1/4" opening on the T-connector (9). Gently tug on the tube to ensure a secure connection.



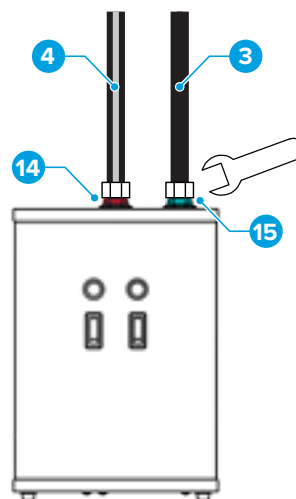
- C. Insert the the free end of Hose 1 into to the top 3/8" opening of the T-connector (9). Gently tug on the tube to ensure a secure connection. Insert Hose 2 into the remaining 3/8" opening of the T-connector. Gently tug on the tube to ensure a secure connection.

One tube and two hoses are now connected to the T-connector: N, 1, and 2.

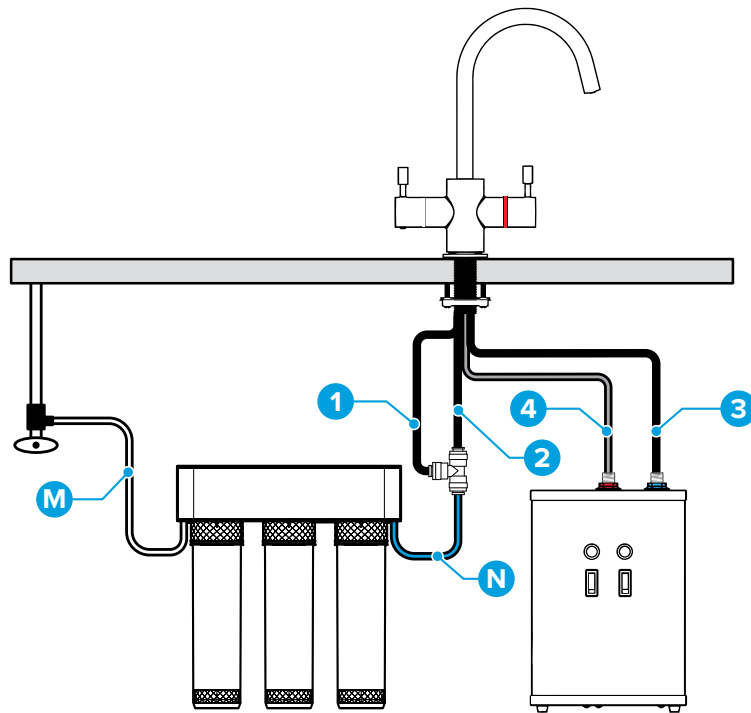


- D. Unscrew the blue protective cap of the filtered water inlet (15) and set aside in a safe place. Connect the hex-nut end of Hose 3 to the blue 3/8" threaded inlet. Use wrench to tighten the hex nut and secure the connection.

- E. Unscrew the red protective cap of the boiling water outlet (14) and set aside in a safe place. Connect the hex-nut end of Hose 4 to the red 3/8" threaded outlet. Use wrench to tighten the hex nut and secure the connection.



5. Overview of Completed Installation



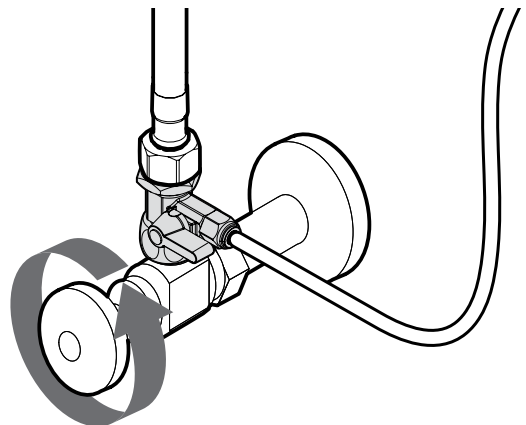
6. Flush the Filters

IMPORTANT: Do NOT drink water that is produced during the filter flushing process.

- A. Rotate the ambient water handle on the instant hot water faucet open.
- B. Slowly turn on the main water supply. Allow water to run from the instant hot water faucet for 10 minutes. While water is dispensing, check the system for any leaks.

NOTE: The filter material contains granular activated carbon. It's normal that the dispensed water is black during the flushing process.

- C. Turn off the ambient water and wait one hour. While waiting, monitor the system for any leaks.
- D. Rotate the ambient water handle open again and allow water to dispense for another 10 minutes. When water runs clear, the filter flushing process is complete.



7. Prime the Boiler Tank and Check for Leaks

Before the instant hot water boiler is connected to power, the dispenser system must be tested to ensure there are no leaks and all connections are tight.

- A. On the instant hot water faucet, press down on the hot water handle to disengage the lock and rotate handle forward. This will prime the boiler tank, allowing it to fill, as well as exhaust any air in the tank. Boiler tank will fill completely in approximately 90 seconds.

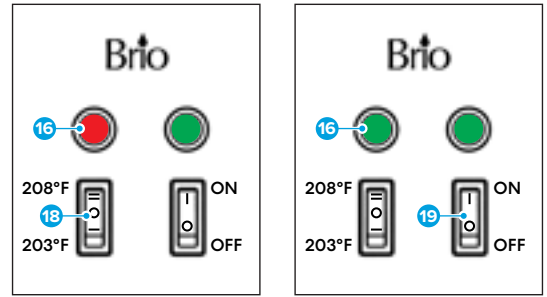
NOTE: When boiler tank is full, water will flow from the faucet spout.

- B. Using hot and cold water handles alternately, allow water to run from spout for at least 2 minutes to flush tubing.
- C. Continue to check under the sink to ensure no leakage has occurred anywhere in the system, that all connections are secure, and that installation area is dry.

Operation

1. Connect Boiler to Power

- A. Connect the power cord (5) to the boiler then to the dedicated power socket. Turn the On/Off switch (19) on the boiler to the On position. Select the desired hot water temperature by using the temperature switch (18). While water is heating the temperature light (16) will illuminate in red. When the selected temperature has been reached, the light will illuminate in green.



NOTE: For initial startup of the system, allow approximately 8 to 9 minutes for water temperature to reach the selected temperature.

- B. To ensure the system is fully operational, the system needs to be flushed. Press down on the hot water handle to disengage lock and rotate handle forward. Leave the hot water faucet open until cool/ambient water dispenses. The boiler tank has now been emptied and refilled. Release hot water faucet and allow water in boiler tank to reheat.
- C. Repeat step B 2 or 3 times more. If no leaks have occurred, the system is ready to use.

2. Dispense Instant Hot Water

Press down on hot water handle to disengage lock, then rotate handle forward to dispense. Handle will automatically spring back to its original, locked position when released.

NOTE: The instant hot water boiler is designed for non-pressurized operation and there will be a slight delay before the hot water is dispensed.

IMPORTANT: To avoid water drawback and tank contamination, do NOT submerge the spout of the faucet in water when dispensing instant hot water into a container, and especially when releasing hot water handle.

After instant hot water is dispensed from the faucet or the water temperature in the boiler tank falls below the selected temperature, water in tank will automatically reheat to the selected temperature. Allow 2 to 3 minutes for water to reheat.

3. Dispense Ambient Water

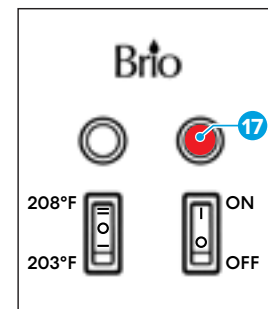
To dispense ambient water, rotate handle forward. When finished, rotate handle back to its original position.

4. Dry-Burn Protection Sensor

If the instant hot water boiler tank is emptied or does not contain water, and the power switch is left in the On position, the dry-burn protection sensor will activate and the Lack of Water light (17) will illuminate in red.

To turn off the red Lack of Water light, press the On/Off switch to Off. Prime the boiler tank with water as described under “Prime the Boiler Tank and Check for Leaks” on page 13. Turn the power switch to the On position. The light will illuminate green.

If the On/Off switch on the boiler is not switched to Off or the tank is not primed with water, after approximately 5 minutes the boiler will automatically power down and will not power on until tank is primed with water.



5. Irregular Water Production

The system is designed to notify you of any irregular water production. If water is continuously dispensed for 30 minutes or more, the filtration unit will beep. To turn off beeping, turn off instant hot water faucet.

Care and Maintenance

If the instant hot water dispenser system is not going to be used for 2 days or more, switch the On/Off switch on the boiler to the Off position to save power.

1. Seasonal or Long-Term Shutdown

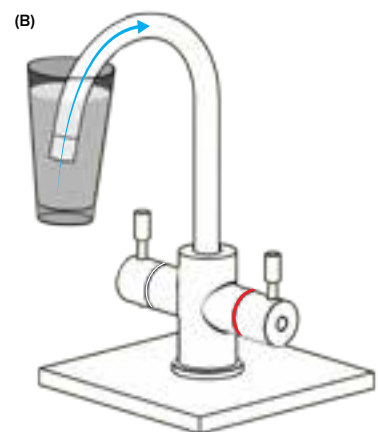
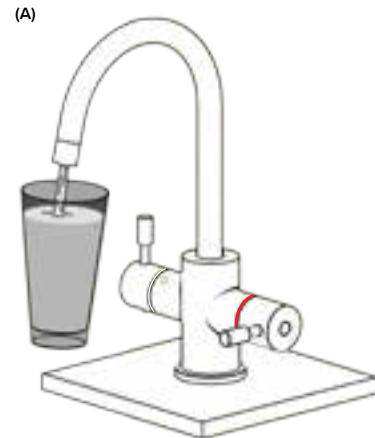
The instant hot water boiler, faucet, and tubing must not be exposed to freezing temperatures. If there is a possibility of this, the system must be drained. To do this, do the following:

- A. Turn off the cold water supply, switch the power switch on the boiler to the Off position, and unplug the power cord.
- B. Allow water in the boiler tank to cool for at least 1 hour. Detach hoses from boiler and remove boiler from under the sink. Invert boiler over sink and allow all water to drain out.
- C. When reinstalling boiler tank, follow installation instructions on page 12.

2. Descaling the System

We recommend descaling the system once every 6 months. If your source water has TDS greater than 200 ppm, we recommend descaling every 2 to 3 months. To descale do the following:

- A. Pour 25 to 30g (1 to 2 tablespoons) of citric acid crystals (purchased separately) into a tall, heat-proof glass or container.
- B. Using the instant hot water faucet, dispense hot water into the container, filling it (A).
- C. As soon as the container has been filled, submerge the spout of the faucet into the solution and release the hot water handle. The descaling solution will be drawn up and into the spout, then down into the boiler (B). If needed, maneuver the glass so that all the solution is drawn up and the glass is emptied.
- D. Allow the system to sit for 30 minutes.
- E. After 30 minutes, rotate the hot water handle open and flush the solution out of the boiler, dispensing approximately 2 to 3 liters.
- F. The system has now been descaled.



3. Replace the Filters

The filters have a capacity of 1500 gallons, and typically last 3 to 6 months, depending on the level of usage. When the filters reach end of life, the red LED light on the indicator panel will flash and the filtration unit will emit a beep each time you turn on the instant hot water faucet. The beeping ceases when the faucet is turned off. To replace the filters, do the following:

- A. Turn off the cold water supply.
- B. Rotate the ambient water handle on the instant hot water faucet open to drain the tubing and hoses.

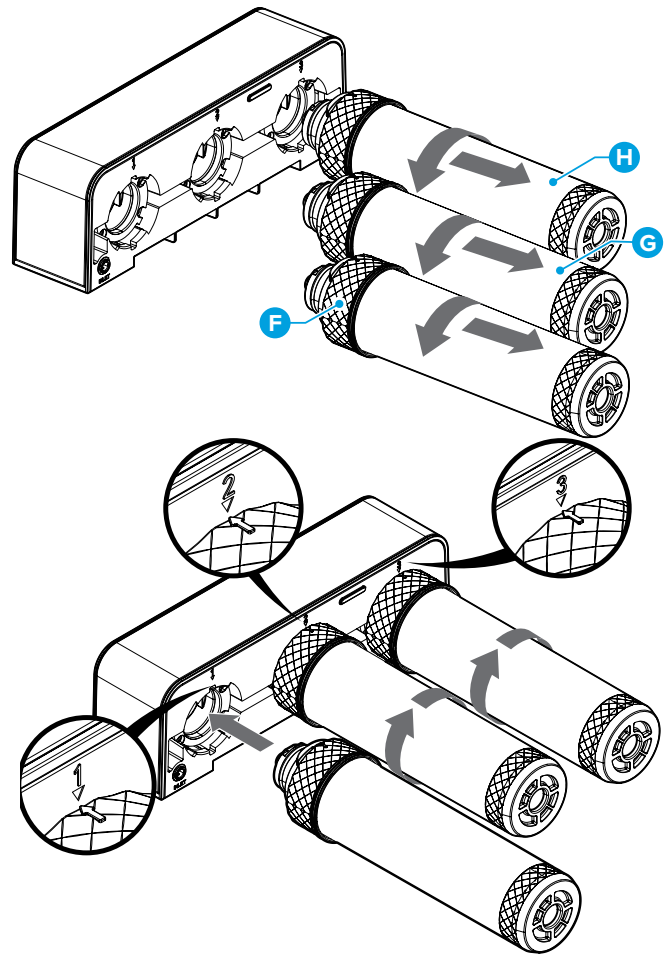
NOTE: Remove filters in the following order: sediment (F), carbon block (G), and post carbon (H).

- C. Remove the filter by rotating counterclockwise 90° and then pulling downwards.

NOTE: Install new filters in the reverse order: post carbon (H), carbon block (G), and sediment (F).

- D. Insert the new filter into the housing, being sure to align grooves. Firmly push filter in, then rotate clockwise 90°. The arrow on the filter should align with the Δ mark on the filter housing as shown, and the filter should be securely locked in place.
- E. To stop the flashing LED light and the beeping, either change the battery or remove the current battery and reinstall it. However, because the red LED light reminds you when to change the filters, we recommend replacing the battery each time you replace the filters. See “Replace the Battery” on page 17.

- F. Flush the new filters before use. See “Flush the Filters” on page 13.



4. Filter Specifications

Always use proper replacement filter cartridges. Refer to the table below for filter replacement part numbers and specifications.

Stage 1 – Sediment Filter (Sediment, dirt, and rust removal)		Stage 2 – Carbon Block Filter (Rated 0.5 microns for lead removal)		Stage 3 - Post Carbon Filter (Residual taste and odor removal)	
Part Number	RPFUSPP5M	Part Number	RPFUSCTO5MS2	Part Number	RPFUSGAC5MS3
Replacement Cycle	3–6 Months	Replacement Cycle	3–6 Months	Replacement Cycle	3–6 Months
Filter Capacity	1,500 Gallons (5700 Liters)	Filter Capacity	1,500 Gallons (5700 Liters)	Filter Capacity	1,500 Gallons (5700 Liters)
Suggested PSI	30–43.5 PSI	Suggested PSI	30–43.5 PSI	Suggested PSI	30–43.5 PSI

5. Replace the Battery

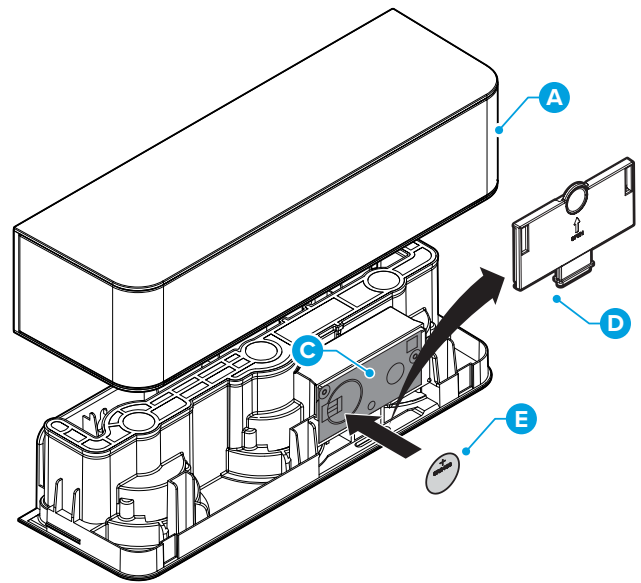
To ensure normal operation of the indicator panel, replace the battery every time you replace the filter. Use only a CR2450 battery

- A. Lift off the top cover (A) of the filter housing and remove the transparent cover plate (D).
- B. Remove and properly dispose of the old battery (E).
- C. Insert the new battery into the indicator panel (C). The positive side of the battery should be facing outward.

NOTE: Upon battery installation, the red LED light will illuminate and the unit will beep 5 times.

- D. Reassemble the transparent cover plate (D) and the top cover (A).

After the new battery is installed, the timer will begin a 180-day countdown. After 180 days, the red LED light will begin to flash and the unit will beep when water is dispensed, alerting you it's time to change the filters.



Troubleshooting

Problem	Probable Cause	Solution
Hot water and/or steam is spitting from faucet spout.	<ul style="list-style-type: none"> Water in tank is boiling. 	<ul style="list-style-type: none"> Open the hot water faucet handle and release water. Adjust the water temperature on the boiler to the lower temperature. Ensure aerator on faucet is not blocked. Re-prime boiler tank.
Hot water is not hot.	<ul style="list-style-type: none"> The boiler is unplugged. The circuit breaker has tripped. The boiler has not been powered on. 	<ul style="list-style-type: none"> Ensure boiler is plugged in to a working grounded outlet. Ensure the circuit breaker and fuse are working correctly. Turn the power switch on the boiler to the On position. Select the desired temperature and allow water to heat.
Hot water is too hot.	<ul style="list-style-type: none"> Water temperature has been set too high. 	<ul style="list-style-type: none"> Reset the water temperature to the lower temperature and allow water to reheat to new temperature.
Water is dripping from the faucet spout.	<ul style="list-style-type: none"> The expansion chamber isn't draining the system correctly due to very small draw of water. The faucet spout is blocked. 	<ul style="list-style-type: none"> Dispense 0.5 L of hot water to clear and prime the system. Avoid dispensing less than 150 mL of water. Remove and clean the aerator.
Water flow is slow.	<ul style="list-style-type: none"> Water filters may be clogged. 	<ul style="list-style-type: none"> Change water filters. Note: Filters must be changed every 6 months.
Water doesn't flow immediately when faucet is turned on.	<ul style="list-style-type: none"> The instant hot water boiler is designed for non-pressurized operation and there will be a slight delay before the hot water is dispensed. 	<ul style="list-style-type: none"> After a large volume of hot water has been dispensed, it may take slightly longer for water to dispense.
Water isn't dispensing.	<ul style="list-style-type: none"> Main water supply has been shut off. Tubing is twisted or blocked. Aerator is clogged. There may be a buildup of scale. 	<ul style="list-style-type: none"> Ensure main water supply is on and handle on feedwater valve is open (parallel to tube). Straighten any twisted or kinked tubing. Remove and clean the aerator. See "Descaling the System" on page 15.

The instant hot water dispenser system, like any water heater, has a limited operational lifespan and will eventually fail. To ensure maximum protection and to avoid possible damage to property or personal injury, the instant hot water boiler and its components should be inspected regularly for water leakage or damage.

If there is any water leakage, replace any loose or split tubes, hoses, or components, which can cause water leakage and damage.

To provide additional water security and to avoid property damage, the instant hot water boiler can be placed in a drain pan and connected to a suitable drain outlet to avoid any water damage. The drain pan should be installed according to the manufacturer's installation instructions.

Warranty

Brio (“Vendor”) warrants to the original purchaser of the Instant Hot Water Dispenser System (the “Product”), and to no other person, that if the Product is assembled and operated in accordance with the printed instructions accompanying it, then for a period of one (1) year from the date of purchase, all parts in the Product shall be free from defects in material and workmanship. This Limited Warranty shall be limited to repair or replacement of parts, which prove defective under normal use and service and which Vendor shall determine in its reasonable discretion upon examination to be defective. To take advantage of this Limited Warranty, please follow these steps:

1. Please retain your sales slip or invoice, as Vendor may require reasonable proof of your date of purchase.
2. Contact Vendor’s Customer Service Department using the contact information listed below.
3. Return parts to Vendor, per Vendor’s instructions, at your cost and expense.
4. Upon receipt by Vendor, Vendor shall advise you in writing whether a defect covered by this Limited Warranty exists in any returned part and whether your claim has been approved or denied.
5. Upon Vendor’s approval of your claim, Vendor will replace such defective part without charge to you.

WHAT THIS LIMITED WARRANTY DOES NOT COVER: This Limited Warranty does not cover any failures or operating difficulties of the Product due to accident, abuse, misuse, alteration, misapplication, improper installation or improper maintenance or service by you or any third party, or failure to perform normal and routine maintenance on the Product, as set out in the User’s Manual. In addition, this Limited Warranty does not cover damages to the finish, such as scratches, dents, discoloration or rust after purchase.

This Limited Warranty is the only express warranty given on the Product and is in lieu of all other express warranties. Vendor disclaims all warranties for products that are purchased from seller other than authorized retailers or distributors. THIS LIMITED WARRANTY RESTRICTS THE DURATION OF ANY AND ALL IMPLIED WARRANTIES, INCLUDING WITHOUT LIMITATION, THE IMPLIED WARRANTY OF MERCHANTABILITY AND FITNESS FOR A PARTICULAR PURPOSE TO THE ONE (1) YEAR TERM OF THIS LIMITED WARRANTY. UPON THE EXPIRATION OF THE ONE (1) YEAR TERM OF THIS LIMITED WARRANTY, VENDOR DISCLAIMS ANY AND ALL IMPLIED WARRANTIES, INCLUDING WITHOUT LIMITATION THE IMPLIED WARRANTIES OF MERCHANTABILITY AND FITNESS FOR A PARTICULAR PURPOSE, THE PRODUCT BEING THUS SOLD AS-IS, WITH ALL FAULTS. FURTHER, VENDOR SHALL HAVE NO LIABILITY WHATSOEVER TO PURCHASER OR ANY THIRD PARTY FOR ANY SPECIAL, INDIRECT, PUNITIVE, INCIDENTAL, OR CONSEQUENTIAL DAMAGES. OTHER THAN THIS LIMITED WARRANTY, THERE ARE NO WARRANTIES WHICH EXTEND BEYOND THE DESCRIPTION ON THE FACE HEREOF. Vendor assumes no responsibility for any defects caused by third parties. This Limited Warranty gives you specific legal rights, and you may have other rights which vary from state to state. State law may also override statements in this Limited Warranty regarding the restriction on the duration of implied warranties. Some jurisdictions do not allow exclusion or limitation of special, incidental or consequential damages, or limitations on how long a warranty lasts, so the above exclusion and limitations may not apply to you.

Brio[®]

WWW.BRIOWATER.COM

©2024 Brio Water Technology, Inc.