

Brio®



Moderna™  
**Countertop  
Water Dispenser**  
Setup Manual  
Model No.: CLCTPOU820UVF2

# Table of Contents

<b>Safety Information</b> .....	<b>3</b>
<b>Intended Use</b> .....	<b>4</b>
<b>Package Contents</b> .....	<b>4</b>
<b>Product Features</b> .....	<b>5</b>
<b>Specifications</b> .....	<b>5</b>
<b>How to Use Quick-Connect Tubing</b> .....	<b>6</b>
Cutting Tubing .....	6
Connecting Tubing .....	6
Disconnecting Tubing .....	6
<b>Installation</b> .....	<b>6</b>
Determine Installation Location .....	6
Connect to the Cold Water Supply .....	7
Flush Filters .....	7
Complete Installation .....	9
<b>Using the Dispenser</b> .....	<b>10</b>
Touch Panel Description .....	10
Adjusting Time .....	10
Adjusting Cold Water Temperature .....	10
Adjusting Hot Water Temperature .....	10
Dispensing Water .....	10
<b>Replacing the Filters</b> .....	<b>11</b>
<b>Cleaning and Maintenance</b> .....	<b>12</b>
Hot Water Sterilization Function .....	12
<b>Troubleshooting</b> .....	<b>13</b>
<b>Warranty</b> .....	<b>14</b>

# Safety Information

**WARNING:** To reduce risk of injury and property damage, you must read this entire guide before assembling, installing, and operating the dispenser.

**WARNING:** This product dispense water at very high temperatures. Failure to use properly can cause personal injury. When operating this dispenser, always exercise basic safety precautions, including the following:

- Prior to use, this dispenser must be properly assembled and installed in accordance with this manual.
- For indoor use only. Keep the water dispenser in a dry place away from direct sunlight. Do NOT use outdoors.
- Install and use only on a hard and level surface.
- Do NOT place the water dispenser in an enclosed space or cabinet. ALWAYS keep ventilation openings in the appliance clear of obstruction.
- Do NOT operate the dispenser in the presence of explosive fumes. Do NOT store explosive substances such as aerosol cans with a flammable propellant in this appliance.
- Use only with properly grounded outlet in order to avoid a hazard.
- To protect against electric shock, do NOT immerse cord, plug, or any other part of the dispenser in water or other liquids.
- Ensure the water dispenser is unplugged prior to cleaning.
- Never allow children to dispense hot water without proper and direct supervision. Unplug the unit to prevent unsupervised use by children.
- Service should be performed only by a certified technician. To avoid damage to the appliance, never attempt repairs, other than those outlined in the manual, by yourself.
- The appliance must not be cleaned by a water jet and is not suitable for installation in an area where a water jet could be used.
- Do NOT use mechanical devices or other means to accelerate the defrosting process, other than those recommended by the manufacturer.
- This appliance should work under environment of temperatures from 39 °F – 100 °F (4 °C – 38°C) and humidity ≤90%. Never store or expose appliance to an environment less than 32 °F (0 °C).
- This appliance requires a TDS≤350 ppm. High water hardness can lead to breakdown of the hot water tank.
- This appliance is not recommended for use at altitudes greater than 8,202 ft (2,500 m).
- Never turn the machine upside down or lean it more than 15°.
- After turning the dispenser off, allow the dispenser to sit idle for 3 minutes before turning on again.
- If the appliance permanently fails, immediately disconnect from power, shut off water supply, and contact customer service.

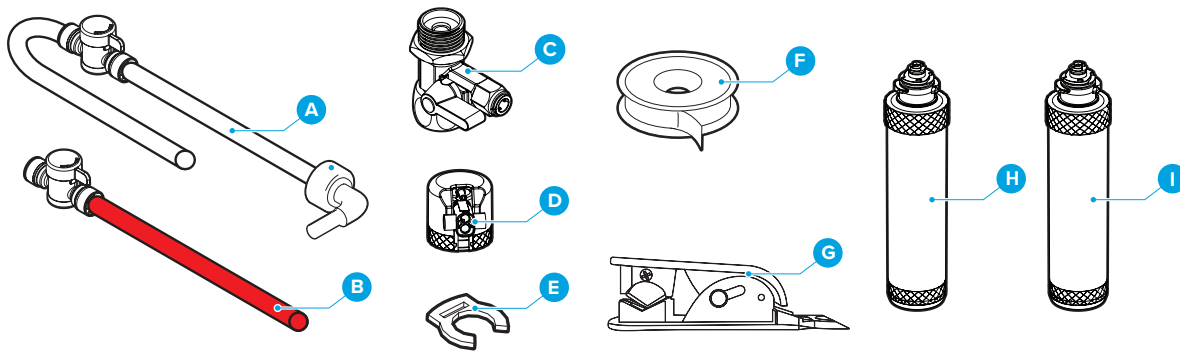
# Intended Use

This dispenser is intended to be used in household and similar applications such as:

- Staff kitchen areas, offices, and other working environments
- Farm houses
- Hotels, motels, and bed-and-breakfast-type environments
- Catering and other similar non-retail applications

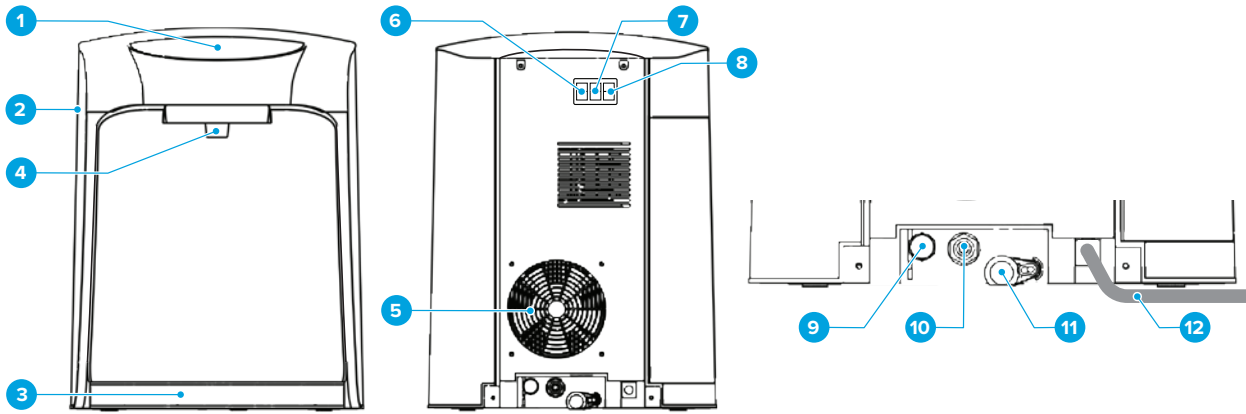
The dispenser is not intended for use by persons (including children) with reduced physical, sensory, or mental capabilities, or lack of experience and knowledge, unless they have been given supervision or instruction concerning use of the appliance by a person responsible for their safety.

# Package Contents



Part	Description	Quantity	Part	Description	Quantity
A	Shutoff valve tube (7 ft)	1	F	Plumber's tape	1
B	Filter flushing tube (4 ft)	1	G	Tube cutter	1
C	Feedwater adapter with extra nut	1	H	Sediment filter	1
D	Filter housing for flushing filters	1	I	Carbon block filter	1
E	Locking clip	10			

# Product Features



Part	Description
1	Touch panel
2	Side filter panel
3	Drip tray
4	Water tap
5	Fan
6	Night light switch (blue)

Part	Description
7	Cold water switch (green)
8	Hot water switch (red)
9	Water drain with cover
10	Water inlet with blue silicone plug
11	Overflow outlet
12	Power cord

# Specifications

<b>Model</b>	CLCTPOU820UVF2
<b>Rated Voltage / Rated Frequency</b>	115 V / 60 Hz
<b>Rated Power</b>	520 W
<b>Heating Power</b>	420 W
<b>Cooling Current</b>	1.0 A
<b>Pure Water Flow Rate</b>	1.2 LPM
<b>Hot Water Capacity</b>	4 LPH ( $\geq 185^{\circ}\text{F} / 85^{\circ}\text{C}$ )
<b>Cold Water Capacity</b>	2.5 LPH ( $\leq 50^{\circ}\text{F} / 10^{\circ}\text{C}$ )
<b>Applicable Environment</b>	39 °F – 100 °F (4 °C – 38°C); humidity $\leq 90\%$
<b>Applicable Water Pressure</b>	14.5 – 59 PSI (0.1 – 0.4 MPa)
<b>Applicable Water</b>	Municipal water with TDS $\leq 350$ ppm
<b>Applicable Inlet Water Temperature</b>	39 °F – 100 °F (4 °C – 38°C)
<b>Stage 1 Filter</b>	Sediment
<b>Stage 2 Filter</b>	Carbon block
<b>Dimensions (WxHxD)</b>	13.2 x 17.4 x 17.87 in. (33.6 x 44.2 x 45.5 cm)
<b>Weight</b>	30 lb (13.6 kg)

# How to Use Quick-Connect Tubing

For ease of installation, the dispenser includes quick-connect tubing. Review the following instructions before installing dispenser.

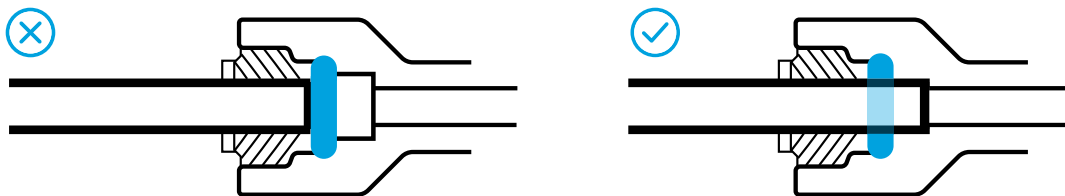
## 1. Cutting Tubing

- A. Use the included Tube Cutter (G) or a sharp knife to cut the end of the tubing.
- B. After cutting, ensure ends are straight and able to sit flush against the back of the fitting.
- C. Inspect ends for any nicks, scratches, or rough spots. Recut tubing if necessary.

## 2. Connecting Tubing

- A. Insert tubing into the collet.
- B. Push tubing in until it engages the O-ring.
- C. Continue pushing until the tubing hits the back of the quick connect fitting.

**NOTE:** A common error is to stop pushing once the tubing reaches the O-ring. This will lead to water leakage. Tubing must be inserted approximately 0.75 inches (2.2 cm) so that it extends past the O-ring and sits flush against the back of the fitting as shown below.



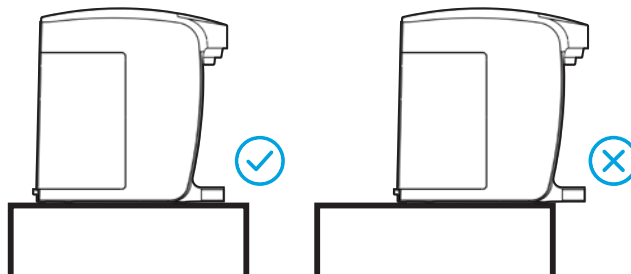
## 3. Disconnecting Tubing

- A. Push in the collet with fingertips and hold it. Pull tubing out.

# Installation

## 1. Determine Installation Location

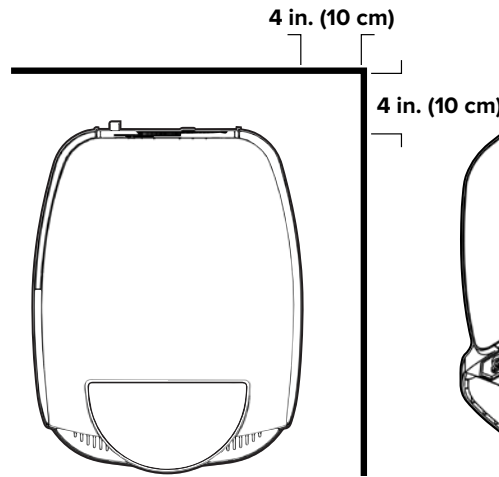
- A. Place the dispenser upright on a sturdy and level indoor surface away from direct sunlight. Ensure dispenser is fully seated on counter. Do not allow drip tray to extend off edge.



- B. Locate the dispenser near a grounded GFCI wall outlet.

**CAUTION:** Do NOT plug in power cord until the entire installation is complete.

- C. Position the back and sides of the dispenser at least 4 inches (10 cm) from a walls to permit free air circulation between the walls and the water dispenser.



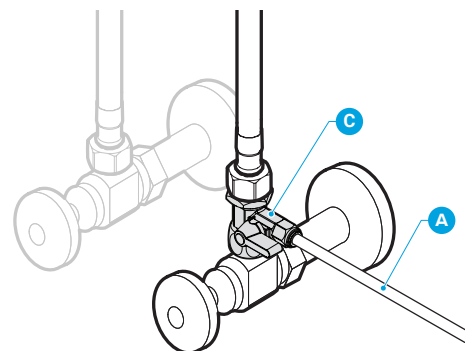
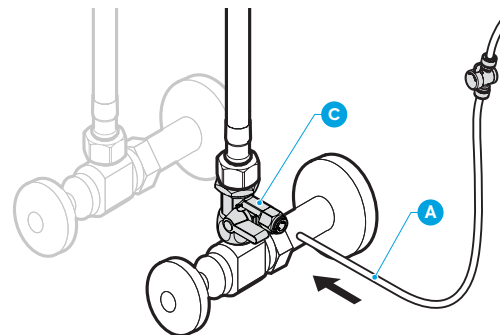
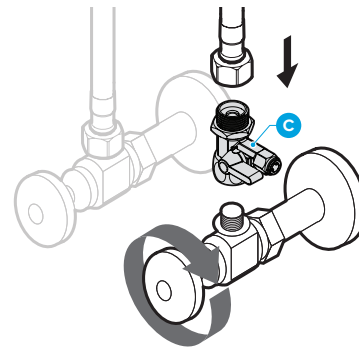
## 2. Connect to the Cold Water Supply

**CAUTION:** DO NOT CONNECT THIS WATER LINE TO A HOT WATER SUPPLY LINE. The water supply to the unit **MUST** be from the COLD WATER LINE. Using HOT WATER will severely damage your filters.

- A. Turn off and then disconnect the current cold water supply line.
- B. Connect the Feedwater Adapter (C) to the cold water supply line.
- C. Connect the cold water supply line on top of the Feedwater Adapter (C).

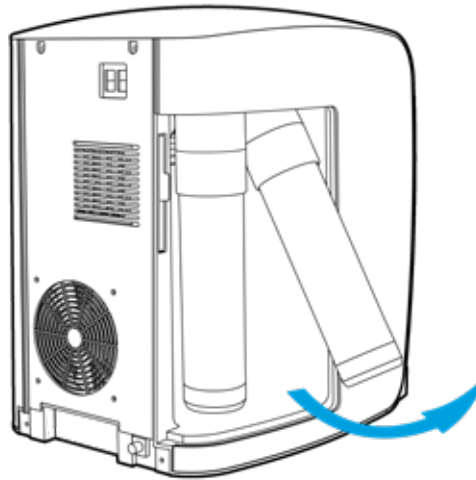
**NOTE:** An extra adapter nut is included on top of the Feedwater Adapter (C) to attach to a 3/8 in. or 1/2 in. feed plumbing line.

- D. Cut the non-elbow-connector end of the Shutoff Valve Tube (A) as instructed on page 6, under “Cutting Tubing.”
- E. Insert the cut end of the Shutoff Valve Tube (A) straight into the Feedwater Adapter (C) as indicated in the line drawing. Ensure the shutoff valve lever is perpendicular to the tube. This will prevent any water from entering the dispenser.
- F. Gently tug on the Shutoff Valve Tube (A) to ensure a secure connection with the Feedwater Adapter (C).

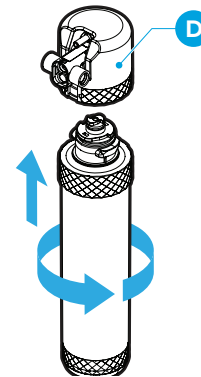


### 3. Flush Filters

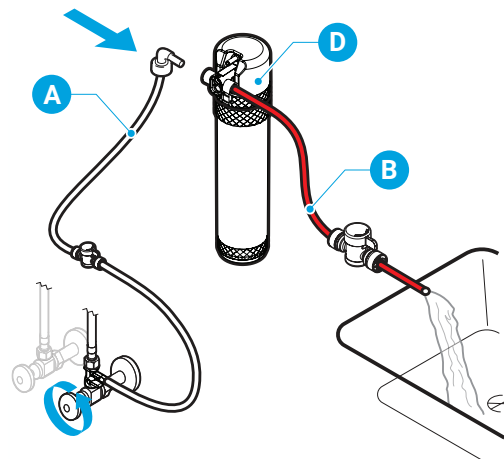
New filters must be flushed before first use. First, remove filters from dispenser. Remove Side Filter Panel. One at a time, rotate filter in a counterclockwise direction, then remove it.



- A.** Connect the filter to the Filter Housing (D) by inserting the filter and rotating clockwise until the BRIO logos on the filter and the Filter Housing (D) are aligned.



- B.** Ensure both the cold water supply and the shutoff valve on the Shutoff Valve Tube (A) are in the OFF position. Connect the elbow-connector end of the Shutoff Valve Tube (A) to the left side of the Filter Housing (D).

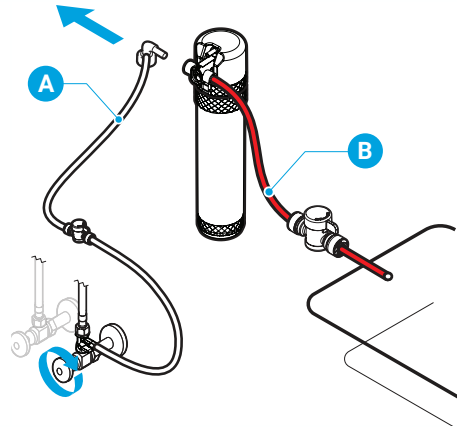


- C.** Connect the Filter Flushing Tube (B) to the right side of the Filter Housing (D) and lay the open end of the Filter Flushing Tube (B) over a sink or receptacle to collect water. Turn on the cold water supply, then turn on the shutoff valve on the Shutoff Valve Tube (A).



D. Follow instructions in table below to flush filters.

**IMPORTANT:** After each filter is flushed, be sure to shut off water supply before disconnecting tubes to flush the next filter.

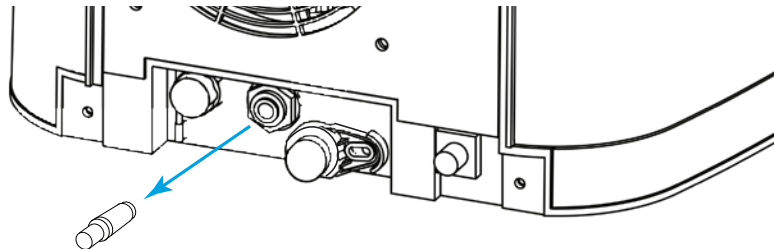


Stage 1: Sediment Filter	Stage 2: Carbon Block Filter
At first, water may appear cloudy.	At first, water may contain black debris.
Flush filter for an additional 4 minutes <u>after</u> water runs clear.	Flush filter for up to 4 minutes or until water runs clear.

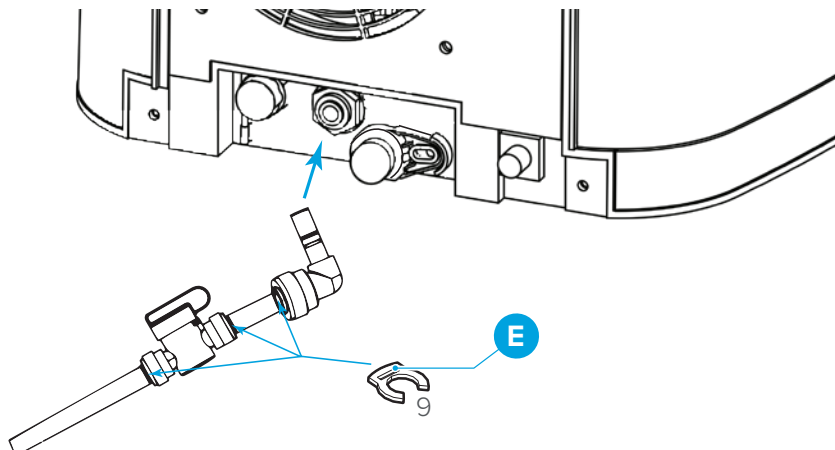
After filters are flushed, reinstall them in the dispenser by rotating clockwise.

## 4. Complete Installation

A. Remove blue silicone plug from Water Inlet (10).



B. Insert the elbow-connector end of the Shutoff Valve Tube (A) into the Water Inlet (10). Secure with Locking Clips (E) if desired.



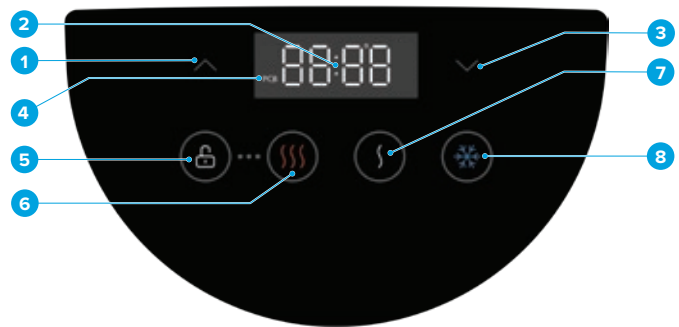
- C. Connect the power cord to a grounded GFCI outlet.
- D. Turn on the valve on the Shutoff Valve Tube, allowing water to enter the dispenser.
- E. Press either the Hot, Ambient, or Cold button on the Touch Panel until water is flowing steadily, and any air is removed from the tanks.
- F. Turn on the green Cold Water Switch (7) and red Hot-Water Switch (8) on back of the dispenser.

**NOTE:** It takes approximately 15 minutes for the cold water to reach its optimal temperature and approximately 90 minutes for the hot water to reach its optimal temperature.

## Using the Dispenser

### Touch Panel Description

1. Up arrow – used to set time and temperature.
2. Clock/Temperature display
3. Down arrow – used to set time and temperature.
4. PCB icon – filter-life reminder function
5. Unlock button – press to unlock hot water button.
6. Hot water button – will illuminate when selected.
7. Ambient water button – will illuminate when selected.
8. Cold water button – will illuminate when selected.



### 1. Adjusting Time

- A. Simultaneously press the Up Arrow and the Down Arrow for 3 seconds. The digital screen will flash.
- B. To adjust hours, briefly press the Hot Water button. Now just the hours will flash. Press either the Up or Down Arrow until the desired hour is reached. The range is 01 to 12.
- C. To adjust minutes, briefly press the Cold Water button. Now just the minutes will flash. Press either the Up or Down Arrow until the desired minutes are reached. The range is 00 to 59.
- D. After the desired time is set, briefly touch the Unlock button. The digital screen will stop flashing and the time will be displayed.

### 2. Adjusting Cold Water Temperature

- A. Simultaneously press the Unlock and Cold Water buttons for 3 seconds. The digital screen will flash, displaying the current cold water temperature.
- B. Using the Up or Down Arrows, adjust to the desired temperature. Temperature adjusts by 2-degree increments. Adjustable range is 39 °F to 59 °F (4 °C to 15 °C).

**NOTE:** Cold water temperature is measured inside cold reservoir tank. Due to many variables, including but not limited to, ambient temperature, water receptacle size/temperature, internal travel from reservoir tank to dispense point, etc., temperature of water dispensed from unit will vary.

- C. Once you've selected your desired temperature, briefly press the Unlock button to set the temperature and exit the adjustment state.

### 3. Adjusting Hot Water Temperature

- A. Simultaneously press the Unlock and Hot Water buttons for 3 seconds. The digital screen will flash,

displaying the current hot water temperature.

- B. Using the Up or Down Arrows, adjust to the desired temperature. Temperature adjusts by 2-degree increments. Adjustable range is 174 °F to 194 °F (79 °C to 90 °C).

**NOTE:** Hot water temperature is measured inside hot reservoir tank. Due to many variables, including but not limited to, ambient temperature, water receptacle size/temperature, internal travel from reservoir tank to dispense point, etc., temperature of water dispensed from unit will vary.

- C. Once you've selected your desired temperature, briefly press the Unlock button to set the temperature and exit the adjustment state.

## 4. Dispensing Water

- A. Press and hold the blue Cold Water button to dispense cold water.
- B. Press and hold the white Ambient Water button to dispense room temperature water.
- C. Press the Unlock button, then press and hold the red Hot Water button to dispense hot water.

## Replacing the Filters

**IMPORTANT:** Only replace the filters with new filters designed for this dispenser. Any other type of filter will damage the dispenser and void warranty.

The PCB/Filter-Life Reminder icon is a background function and isn't illuminated during normal use of the dispenser. When the PCB icon flashes, it's time to replace the filters.

1. Shut off the water supply.
2. Remove the expired filters by twisting them counterclockwise.
3. Flush the new filters according to instructions on page 8, under "Flush Filters."
4. Install new filters by twisting them clockwise into place.
5. Turn on the water supply.
6. Simultaneously press the Unlock button and the Up Arrow for 3 seconds to turn off flashing PCB icon and reset the service life of the filters. PCB icon darkens.

## Filter Replacement Schedule

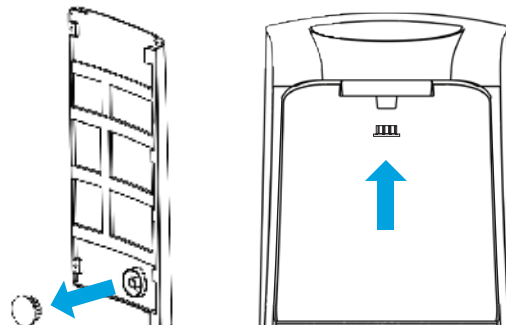
Filter Type/No.	Replacement Schedule	Function
Sediment NFMPP5M	3-6 months or 950 gallons	Removes dirt, rust flakes, suspended solids, and other particulates.
Carbon Block NFMCTO5MS2	3-6 months or 950 gallons	Removes chlorine and other unpleasant tastes, odors, and colors.

# Cleaning and Maintenance

- Keep dispenser in a cool, dry place and out of direct sunlight.
- Ensure all sides of dispenser are at least 4 in. (10 cm) from walls.
- Wipe the surfaces clean with a clean, moist cloth. NEVER immerse the dispenser in water or clean with a solvent.
- Never place dispenser on paper or foam, which may store moisture and cause creepage. Never place anything flammable near the dispenser.
- If the dispenser is not used for an extended period of time, for instance, a vacation, disconnect the power cord, close the Feedwater Adapter (C), and turn off the Hot and Cold Water Switches on the back of the dispenser. Allow the hot water in the tank to cool, then place a bucket or other receptacle beneath the Water Drain (9) on the back of the dispenser. Remove the drain cover and drain water out of the tanks. Reinstall the drain cover and discard the water.
- If the water supply is cut off, close the Feedwater Valve and unplug the dispenser. When water supply has been restored, open your sink's faucet and discharge any sediment that may have collected in your home's plumbing, before reconnecting and using dispenser.

## Hot Water Sterilization Function

Before starting the hot water sterilization function, remove the silicone plug from the inside of the filter door and install it onto the water dispense nozzle to ensure water will not flow out.



1. Simultaneously press Hot, Ambient, and Cold buttons for 3 seconds.
2. The display screen will flash the word “loop.”  
**NOTE:** In this mode, the cooler cannot dispense water.
3. Once the word “loop” appears, press the Hot button, then release; press the Ambient button, then release; press the Cold button, then release.

This initiates the sterilization process. One by one, the Unlock, Hot, Ambient, and Cold buttons will illuminate for 3 seconds, then go off.

**NOTE:** This illumination cycle will repeat throughout the sterilization process.

The digital screen will display the current water temperature. When the temperature reaches 140° F, the display will countdown from one minute to zero seconds. When it reaches zero, the sterilization process has ended, and the dispenser will revert to the standby state.

Remove the silicone plug and re-attach it to the filter door. The dispenser is now ready to use.

**NOTE:** If the digital screen displays “loop” for more than 15 seconds without any operation, the dispenser will return to the normal state. If you wish to exit the sanitation process before it has ended, press the Cold button for 3 seconds to return to a standby state.

## Troubleshooting

Problem	Cause	Solution
Dispenser is not turning on	<ul style="list-style-type: none"> <li>• Not plugged in</li> <li>• Power failure</li> </ul>	<ul style="list-style-type: none"> <li>• Plug in dispenser.</li> <li>• Check to see if there has been a circuit break or power failure.</li> </ul>
Minimal water dispensed	<ul style="list-style-type: none"> <li>• Low water pressure</li> <li>• Expired filters</li> </ul>	<ul style="list-style-type: none"> <li>• Ensure there is sufficient water pressure; install a booster if necessary.</li> <li>• Replace filters.</li> </ul>
Water temperature isn't right	<ul style="list-style-type: none"> <li>• Overconsumption of water in a short amount of time</li> <li>• Not plugged in</li> <li>• Hot and cold water switches not turned on</li> </ul>	<ul style="list-style-type: none"> <li>• Allow tanks to refill and water to heat/chill.</li> <li>• Plug in dispenser.</li> <li>• Turn on hot and cold water switches on back of dispenser.</li> </ul>
Water leakage	<ul style="list-style-type: none"> <li>• Tubing not properly connected</li> <li>• Burst tubing</li> </ul>	<ul style="list-style-type: none"> <li>• Inspect tubing to ensure it has been correctly inserted.</li> <li>• Immediately shut off water supply and replace tubing.</li> </ul>
No water dispensed	<ul style="list-style-type: none"> <li>• Possible problem with water leakage protector on the base plate</li> </ul>	<ul style="list-style-type: none"> <li>• Immediately shut off water supply and unplug power cord. Release any excess water that may have collected inside the dispenser by opening the Overflow Outlet (11) on the back of the dispenser.</li> </ul>
Noisy operation	<ul style="list-style-type: none"> <li>• Dispenser seated improperly</li> </ul>	<ul style="list-style-type: none"> <li>• Ensure dispenser is placed on a flat, hard surface.</li> <li>• During heating, the dispenser may generate slight noise. This is normal.</li> </ul>

# Warranty

Brio (“Vendor”) warrants to the original purchaser of the Brio Water Coolers (the “Product”), and to no other person, that if the Product is assembled and operated in accordance with the printed instructions accompanying it, then for a period of one (1) year from the date of purchase, all parts in the Product shall be free from defects in material and workmanship. This Limited Warranty shall be limited to repair or replacement of parts, which prove defective under normal use and service and which Vendor shall determine in its reasonable discretion upon examination to be defective. To take advantage of this Limited Warranty, please follow these steps:

1. Please retain your sales slip or invoice, as Vendor may require reasonable proof of your date of purchase.
2. Contact Vendor’s Customer Service Department using the contact information listed below.
3. Return parts to Vendor, per Vendor’s instructions, at your cost and expense.
4. Upon receipt by Vendor, Vendor shall advise you in writing whether a defect covered by this Limited Warranty exists in any returned part and whether your claim has been approved or denied.
5. Upon Vendor’s approval of your claim, Vendor will replace such defective part without charge to you.

**WHAT THIS LIMITED WARRANTY DOES NOT COVER:** This Limited Warranty does not cover any failures or operating difficulties of the Product due to accident, abuse, misuse, alteration, misapplication, improper installation or improper maintenance or service by you or any third party, or failure to perform normal and routine maintenance on the Product, as set out in the User’s Manual. In addition, this Limited Warranty does not cover damages to the finish, such as scratches, dents, discoloration or rust after purchase.

This Limited Warranty is the only express warranty given on the Product and is in lieu of all other express warranties. Vendor disclaims all warranties for products that are purchased from seller other than authorized retailers or distributors. **THIS LIMITED WARRANTY RESTRICTS THE DURATION OF ANY AND ALL IMPLIED WARRANTIES, INCLUDING WITHOUT LIMITATION, THE IMPLIED WARRANTY OF MERCHANTABILITY AND FITNESS FOR A PARTICULAR PURPOSE TO THE ONE (1) YEAR TERM OF THIS LIMITED WARRANTY. UPON THE EXPIRATION OF THE ONE (1) YEAR TERM OF THIS LIMITED WARRANTY, VENDOR DISCLAIMS ANY AND ALL IMPLIED WARRANTIES, INCLUDING WITHOUT LIMITATION THE IMPLIED WARRANTIES OF MERCHANTABILITY AND FITNESS FOR A PARTICULAR PURPOSE, THE PRODUCT BEING THUS SOLD AS-IS, WITH ALL FAULTS. FURTHER, VENDOR SHALL HAVE NO LIABILITY WHATSOEVER TO PURCHASER OR ANY THIRD PARTY FOR ANY SPECIAL, INDIRECT, PUNITIVE, INCIDENTAL, OR CONSEQUENTIAL DAMAGES. OTHER THAN THIS LIMITED WARRANTY, THERE ARE NO WARRANTIES WHICH EXTEND BEYOND THE DESCRIPTION ON THE FACE HEREOF.** Vendor assumes no responsibility for any defects caused by third parties. This Limited Warranty gives you specific legal rights, and you may have other rights which vary from state to state. State law may also override statements in this Limited Warranty regarding the restriction on the duration of implied warranties. Some jurisdictions do not allow exclusion or limitation of special, incidental or consequential damages, or limitations on how long a warranty lasts, so the above exclusion and limitations may not apply to you.





[www.briowater.com](http://www.briowater.com)