



Brio®

Water Dispenser
Installation and Operation
Manual

Model No.: CLBL620BLK

Table of Contents

Safety Information	3
Intended Use	4
Package Contents	4
Indicator Panel Description	5
Product Specifications	6
Operational Specifications	6
Installation	6
Determine Installation Location	6
Install the Drip Tray and Grid	6
Clean the Reservoirs	7
Connect a Water Bottle	8
Operation	8
Turn the Dispenser On/Off	8
Dispense Cold Water	8
Adjust the Cold Water Thermostat	9
Dispense Hot Water and Activate Child Safety Lock	9
Change the Water Bottle	9
Cleaning and Maintenance	10
Troubleshooting Guide	11
Warranty	12

Safety Information

WARNING: To reduce risk of injury and property damage, you must read this entire guide before assembling, installing, and operating the dispenser.

WARNING: This product dispenses water at very high temperatures. Failure to use properly can cause personal injury. When operating this dispenser, always exercise basic safety precautions, including the following:

- Prior to use, this dispenser must be properly assembled and installed in accordance with this manual.
- For indoor use only. Keep the water dispenser in a dry place away from direct sunlight. Do NOT use outdoors.
- Install and use only on a hard and level surface.
- Do NOT place the water dispenser in an enclosed space or cabinet.
- Do NOT operate the dispenser in the presence of explosive fumes.
- Only use properly grounded outlets.
- The power cord is equipped with a three-prong grounding plug for protection against shock hazards. Do NOT cut or remove the round grounding prong from the plug, or attempt to bypass it.
- Plug MUST be inserted into GFCI socket with leakage protection.
- Do NOT use an extension cord.
- Always grasp the plug and pull straight out from the outlet. Never unplug by pulling on the power cord.
- Do NOT use the dispenser if the cord becomes frayed or otherwise damaged. If the supply cord is damaged, it must be replaced by the manufacturer, its service agent, or similarly qualified persons in order to avoid a hazard.
- To protect against electric shock, do NOT immerse cord, plug, or any other part of the dispenser in water or other liquids.
- Do NOT use this dispenser with water that is microbiologically unsafe or of unknown quality.
- Water dispenser is compatible with 3-, 4-, or 5-gallon (11.3-, 15.1-, or 18.9-liter) water bottles.
- Clean up all water spills after loading or unloading water bottles from the dispenser.
- Ensure the water dispenser is unplugged prior to cleaning or moving.
- Never allow children to dispense hot water without proper and direct supervision. Always enable the child safety lock feature to prevent unsupervised use by children.
- Service should be performed only by a certified technician.
- The appliance must NOT be cleaned by a water jet and is not suitable for installation in an area where a water jet could be used.
- Never turn the dispenser upside down or lean it more than 45°.
- After turning the dispenser off, allow the unit to sit idle for 3 minutes before turning on again.

WARNING: Keep ventilation openings in the dispenser enclosure or in the built-in structure clear of obstruction.

WARNING: Do NOT use mechanical devices or other means to accelerate the defrosting process, other than those recommended by the manufacturer.

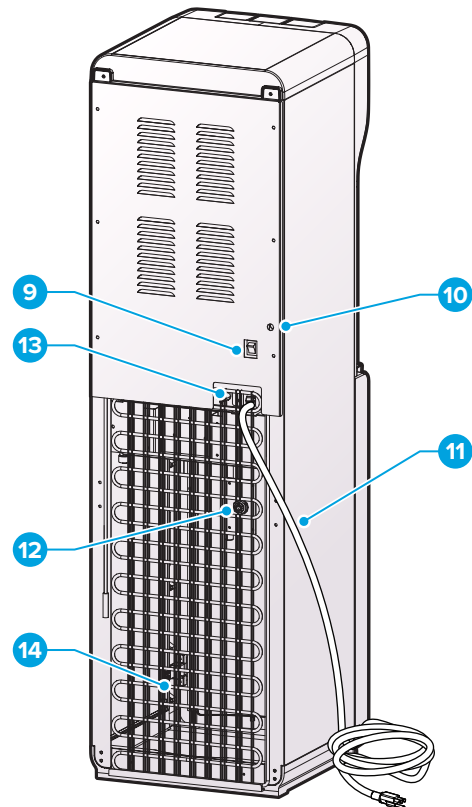
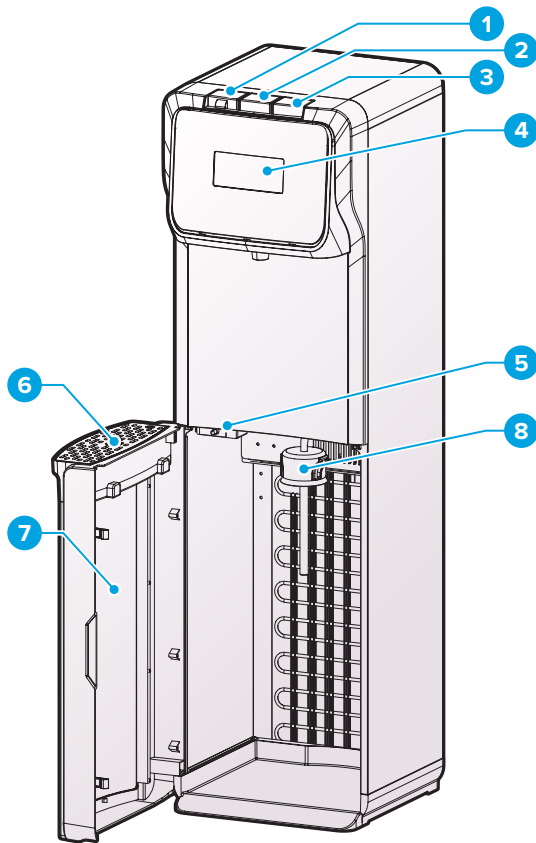
Intended Use

This dispenser is intended to be used in household and similar applications such as:

- Staff kitchen areas, offices, and other working environments
- Hotels, motels, and other residential-type environments
- Bed-and-breakfast type environments
- Catering and similar non-retail applications

This dispenser is not intended for use by persons (including children) with reduced physical, sensory, or mental capabilities, or lack of experience and knowledge, unless they have been given supervision or instruction concerning use of the appliance by a person responsible for their safety.

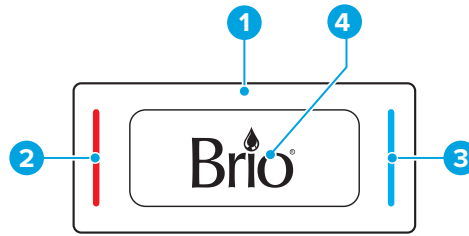
Package Contents



Part	Description
1	Hot water button (with child safety lock)
2	Room temperature water button
3	Cold water button
4	Indicator panel
5	Door switch
6	Removable drip tray and grid
7	Lower front panel door

Part	Description
8	Bottle adapter tube
9	Hot water activation switch (red)
10	Adjustable cold water thermostat
11	Power cord
12	Drain valve
13	Condenser coil

Indicator Panel Description



1. Indicator panel – When illuminated, indicates that the dispenser is on.
2. Red indicator light (hot water) – When flashing, the heating cycle is operating. When steadily illuminated, the optimum temperature has been reached, and hot water is ready to be dispensed.
3. Blue indicator light (cold water) – When flashing, the cooling cycle is operating (the compressor is on). When steadily illuminated, the optimum temperature has been reached, and cold water is ready to be dispensed.
4. Bottle indicator light – When the light behind the logo illuminates, it means your water bottle is empty and needs to be refilled.

Product Specifications

Dimensions (H x W x D)	41.7 in. x 11.8 in. x 14.0 in. (106.0 cm x 30.0 cm x 35.5 cm)	
Net Weight	39.7 lb (18.0 kg)	
Power Consumption	450 W (Hot)	85 W (Cold)

Operational Specifications

CAUTION: This unit dispenses water at temperatures that can cause severe burns. Avoid direct contact with hot water. Keep children and pets away from unit while dispensing. Never allow children to dispense hot water without proper and direct supervision. Unplug unit to prevent unsupervised use by children.

	Temperature	Tank Capacity	Flow Rate
Dispensing Cold Water	39–48 °F (4–9 °C)	3.6 L	35 mL per second / 1.5 L per hour
Dispensing Hot Water	194–205 °F (90–96 °C)	1 L	35 mL per second / 4.5 L per hour

Installation

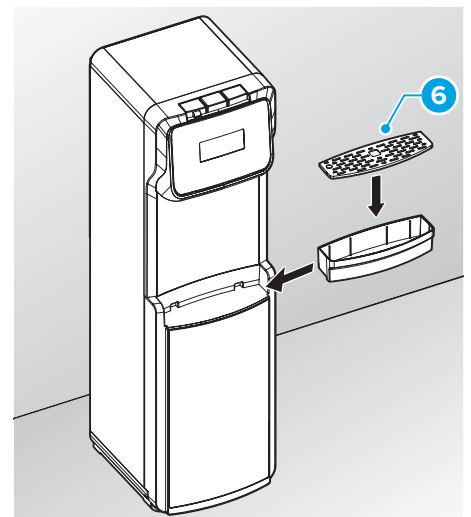
1. Determine Installation Location

IMPORTANT: If the unit has been resting on its side for a long period of time, place the unit in the upright position for approximately 12 hours before turning it on.

- Place the dispenser upright, on a hard and level surface.
- Ensure the dispenser is placed in a cool, shaded setting near a grounded wall outlet.
- Position the back of the dispenser no closer than 2 in. (5 cm) from a wall and permit free airflow between the wall and water dispenser.

2. Install the Drip Tray and Grid

- Unwrap the removable drip tray and grid (6) from the packaging material. Attach the grid to the drip tray, then slide them into the dispenser until securely in place.



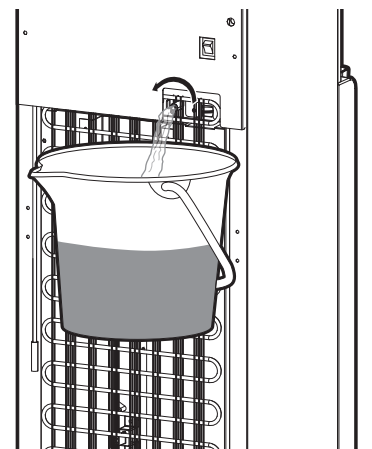
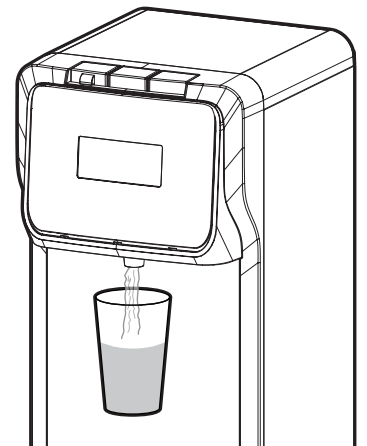
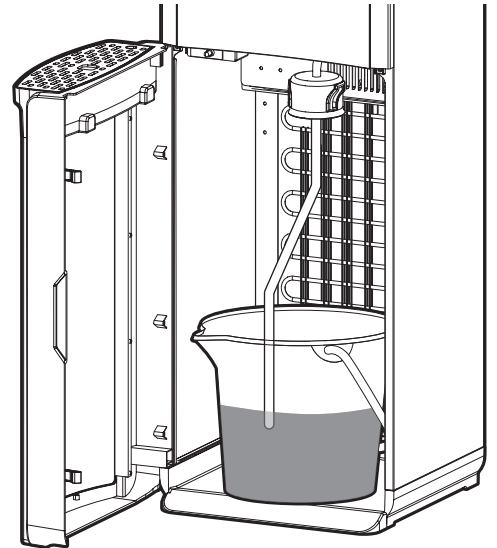
3. Clean the Reservoirs

Before using the water dispenser for the first time (or after not using for a long period of time), clean the reservoirs.

- A. Plug the power cord into a grounded wall outlet.
- B. Fill a clean bucket (not provided) with either:
 - Vitapur VCK50 water dispenser cleaner
 - Mixture of 6 cups (1.5 liter) hot water and 2 cups (0.5 liter) vinegar
- C. Open the lower front panel door and place the bucket inside the unit.
- D. Place the bottle adapter tube into the bucket, adjusting the length of the bottle adapter tube as needed.
- E. Close the lower front panel door and wait 5 minutes for the tanks to fill with water.
- F. Place a cup under the dispenser and press the cold water button to dispense 4 cups of water. Throw away all water dispensed while cleaning the reservoirs.

NOTE: Do NOT drink water dispensed while cleaning the reservoirs.

- G. Remove and empty the bucket from the cabinet and place it under the drain valve at the back of the unit.
- H. Turn the drain valve counterclockwise and drain the water from the unit.
- I. Turn the drain valve clockwise to close the drain, then throw away the drained water.
- J. Fill a clean bucket with 8 cups (2 liters) fresh, hot water and repeat steps C–I.

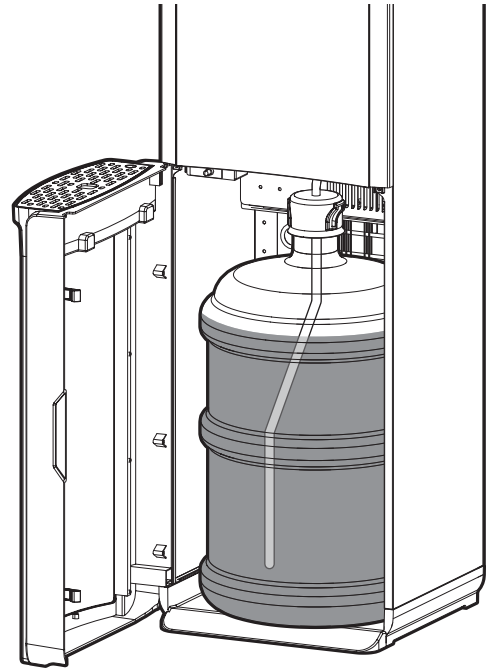


4. Connect a Water Bottle

IMPORTANT: To prevent dry heating, do NOT turn on the hot water activation switch until you complete the steps in this procedure.

- A. Clean the top of the 3-, 4-, or 5-gallon (11.3-, 15.1-, or 18.9-liter) water bottle (purchased separately) with a clean cloth.
- B. Remove the lid from the water bottle.
- C. Open the cabinet door and feed the bottle adapter tube into the water bottle.
- D. Adjust the length of the bottle adapter tube to fit your water bottle capacity of choice. Ensure the tube hits the bottom of the water bottle.
- E. Close the cabinet door.
- F. Wait 5 minutes for the water tanks to fill with water before attempting to use the dispenser.
- G. Remove air from the tanks by placing a cup under each water tap and drain at least 4 cups (1 liter) of water before initial use.

NOTE: Water will not pump from the bottle until the door is completely closed.



Operation

IMPORTANT: This unit has been tested and sanitized prior to packing and shipping. During transit, dust and odors can accumulate in the tank and lines. Dispense and dispose of at least 1 quart of water prior to drinking any water.

Turn the Dispenser On/Off

IMPORTANT: Before you plug the dispenser in and turn on the hot water activation switch, ensure a bottle is installed.

1. Plug in the dispenser.
2. Run water through the tap until water begins to dispense.
3. To power on the heating system, flip the hot water activation switch to the On position.
4. To turn off the dispenser, switch the heat activation switch to the Off position and unplug the dispenser.

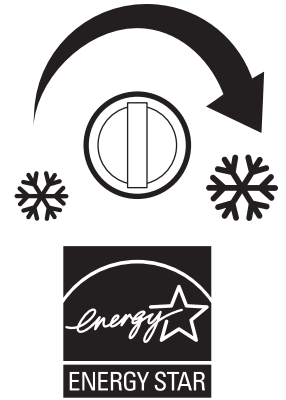
Dispense Cold Water

NOTE: Please allow approximately 1 hour after plugging in the device, for the water to become fully chilled. The blue indicator light on the Indicator Panel will be steadily illuminated when the water is completely chilled.

1. Place a drinking glass or container under the tap and press the cold water button on top of the dispenser to dispense cold water.
2. Release when your container is full.

Adjust the Cold Water Thermostat

The cold water reservoir temperature is monitored by a cold water thermostat (10) located at the rear of the dispenser. Using a screwdriver, turn the dial clockwise between the lower setting for warmer water and higher setting for colder water until the desired temperature is reached. If water is not being properly dispensed, there could be possible ice build-up in the reservoir due to the thermostat being set too cold. If this happens, slowly rotate the thermostat set screw counterclockwise to a warmer setting.



Dispense Hot Water and Activate Child Safety Lock

CAUTION: This unit dispenses water at temperatures that can cause severe burns. Avoid direct contact with hot water. Keep children and pets away from the unit while dispensing. Never allow children to dispense hot water without proper and direct supervision. Disable the heating feature by switching the hot water activation switch to the Off position.

NOTE: Water will take approximately 15 to 20 minutes after switching on to reach its hottest temperature. The red indicator light on the Indicator Panel will be steadily illuminated when the water is fully heated.

1. This water dispenser is equipped with a child safety lock feature in order to prevent inadvertent dispensing. To enable dispensing of hot water, press and hold the red lock button, then place your mug or container underneath the tap. Press and hold the hot water button.
2. Release the button once your container is full.

Change the Water Bottle

CAUTION: Do NOT dispense hot, room temperature, or cold water if the bottle indicator light is flashing. You could empty the tanks and cause the dispenser to overheat.

When the bottle indicator light behind the front logo illuminates, it is time to refill your water bottle:

1. Open the dispenser cabinet door and slide the empty bottle out of the cabinet.
2. Remove the bottle adapter tube from the empty bottle and follow the steps in Connect a Water Bottle, on page 8.

Cleaning and Maintenance

Regular cleaning of your water dispenser is required for your warranty. Follow the cleaning instructions outlined in this manual and clean the dispenser every 4 months.

- Keep this dispenser in a dry and cool place, away from direct sunlight.
- Ensure the back of the dispenser is at least 2 in. (5 cm) away from the nearest wall.
- Never set the dispenser on paper or foam, which may store water and cause creepage. Never put anything flammable beside a foam or paper surface.
- Do NOT use the dispenser outdoors or in a place that can be splashed by water.
- If the dispenser is not in use for longer than a 24-hour period, unplug to save energy, and drain any remaining water. When restarting, follow before-using-water-dispenser procedure under "Clean the Reservoirs," page 7.
- Clean your cabinet, controls, bottle probe, and spout each time you change your water bottle. Use a clean soft cloth and a food-grade sanitizer or bleach.
- Empty and clean the drip tray and grid as needed.

Troubleshooting Guide

Refer to the table below for symptoms, possible causes, and solutions.

Problem	Solution
The cold water is not cold.	<ul style="list-style-type: none">• It takes approximately 1 hour after setup to dispense cold water.• Make sure the power cord is properly connected to a working outlet.• Make sure the back of the dispenser is at least 8 in. (20 cm) from a wall and there is free airflow on all 8 in. (20 cm) sides of the dispenser.• If water still isn't cold, call customer service at +1 844-257-4103 for assistance.
The hot water is not hot.	<ul style="list-style-type: none">• It takes 15 to 20 minutes after setup to dispense hot water.• Make sure the power cord is properly connected to a working outlet.• Make sure red power switch on back of dispenser is in the On position.
The dispenser is noisy.	<ul style="list-style-type: none">• Ensure the dispenser is located on a hard, level surface.• The heating tube may be generating a slight sound. This is normal.
The bottle is leaking.	<ul style="list-style-type: none">• Ensure the bottle is installed correctly.• Check to see if the bottle is cracked or broken. If so, replace the bottle.
The dispenser is not dispensing water.	<ul style="list-style-type: none">• Check to see if the bottle is empty and replace with a new bottle if necessary.• There may still be air in the tank. Press and hold the water taps to remove air until water begins to flow.

Warranty

Brio (“Vendor”) warrants to the original purchaser of the Brio Water Coolers (the “Product”), and to no other person, that if the Product is assembled and operated in accordance with the printed instructions accompanying it, then for a period of one (1) year from the date of purchase, all parts in the Product shall be free from defects in material and workmanship. This Limited Warranty shall be limited to repair or replacement of parts, which prove defective under normal use and service and which Vendor shall determine in its reasonable discretion upon examination to be defective. To take advantage of this Limited Warranty, please follow these steps:

1. Please retain your sales slip or invoice, as Vendor may require reasonable proof of your date of purchase.
2. Contact Vendor’s Customer Service Department using the contact information listed below.
3. Return parts to Vendor, per Vendor’s instructions, at your cost and expense.
4. Upon receipt by Vendor, Vendor shall advise you in writing whether a defect covered by this Limited Warranty exists in any returned part and whether your claim has been approved or denied.
5. Upon Vendor’s approval of your claim, Vendor will replace such defective part without charge to you.

WHAT THIS LIMITED WARRANTY DOES NOT COVER: This Limited Warranty does not cover any failures or operating difficulties of the Product due to accident, abuse, misuse, alteration, misapplication, improper installation or improper maintenance or service by you or any third party, or failure to perform normal and routine maintenance on the Product, as set out in the User’s Manual. In addition, this Limited Warranty does not cover damages to the finish, such as scratches, dents, discoloration, or rust after purchase.

This Limited Warranty is the only express warranty given on the Product and is in lieu of all other express warranties. Vendor disclaims all warranties for products that are purchased from seller other than authorized retailers or distributors. THIS LIMITED WARRANTY RESTRICTS THE DURATION OF ANY AND ALL IMPLIED WARRANTIES, INCLUDING WITHOUT LIMITATION, THE IMPLIED WARRANTY OF MERCHANTABILITY AND FITNESS FOR A PARTICULAR PURPOSE TO THE ONE (1) YEAR TERM OF THIS LIMITED WARRANTY. UPON THE EXPIRATION OF THE ONE (1) YEAR TERM OF THIS LIMITED WARRANTY, VENDOR DISCLAIMS ANY AND ALL IMPLIED WARRANTIES, INCLUDING WITHOUT LIMITATION THE IMPLIED WARRANTIES OF MERCHANTABILITY AND FITNESS FOR A PARTICULAR PURPOSE, THE PRODUCT BEING THUS SOLD AS-IS, WITH ALL FAULTS. FURTHER, VENDOR SHALL HAVE NO LIABILITY WHATSOEVER TO PURCHASER OR ANY THIRD PARTY FOR ANY SPECIAL, INDIRECT, PUNITIVE, INCIDENTAL, OR CONSEQUENTIAL DAMAGES. OTHER THAN THIS LIMITED WARRANTY, THERE ARE NO WARRANTIES WHICH EXTEND BEYOND THE DESCRIPTION ON THE FACE HEREOF. Vendor assumes no responsibility for any defects caused by third parties. This Limited Warranty gives you specific legal rights, and you may have other rights which vary from state to state. State law may also override statements in this Limited Warranty regarding the restriction on the duration of implied warranties. Some jurisdictions do not allow exclusion or limitation of special, incidental or consequential damages, or limitations on how long a warranty lasts, so the above exclusion and limitations may not apply to you.

Brio[®]

Contact Us

Call: +1 844-257-4103