

modern + ICE



Brio[®]

Bottom Load Water Cooler
& Ice Dispenser

User's Manual
Model: CLBL720SCIC

Table of Contents

Safety Information	2
Intended Use	3
Product Features	3
Touch Panel Description	4
Operational Specifications	4
Installation	5
Determine Installation Location	5
Install Drip Tray and Grid	5
Connect a Water Bottle	5
Using the Dispenser	6
Turn the Dispenser On/Off	6
Set the Time	6
Dispense Ice	6
Dispense Cold Water	6
Dispense Hot Water	7
Change the Water Bottle	7
Cleaning and Maintenance	7
Clean the Reservoirs	7
Troubleshooting	9
Warranty	10

Safety Information

WARNING: To reduce risk of injury and property damage, you must read this entire guide before assembling, installing, and operating dispenser.

WARNING: This product dispenses water at very high temperatures. Failure to use properly can cause personal injury. When operating this dispenser, always exercise basic safety precautions, including the following:

- Prior to use, this dispenser must be properly assembled and installed in accordance with this manual.
- This dispenser is intended for water dispensing only. DO NOT use with other liquids or for purposes for which it was not intended.
- Use only known and microbiologically safe bottled water.
- For indoor use only. Keep water dispenser in a dry place away from direct sunlight. DO NOT use outdoors.
- Install and use only on a hard, level surface.
- DO NOT place dispenser into an enclosed space or cabinet.
- DO NOT operate dispenser in the presence of explosive fumes.
- Position back and sides of dispenser at least 8 in. (20 cm) from walls to permit free airflow between wall and dispenser. PLEASE NOTE: For optimal performance, it is recommended the back and non-fan-outlet side of the dispenser be placed 12 in. (30 cm) from walls, and the fan-outlet side of the dispenser be placed 19.5 in. (50 cm) from the wall.
- Use with only a properly grounded GFCI outlet.
- DO NOT use an extension cord with your water dispenser.
- Always grasp plug and pull straight out from outlet. Never unplug by pulling on power cord.
- DO NOT use dispenser if cord becomes frayed or otherwise damaged.
- To protect against electric shock, DO NOT immerse cord, plug, or any other part of dispenser in water or other liquids.
- Ensure dispenser is unplugged prior to cleaning.
- Never allow children to dispense hot water without proper and direct supervision. Children should be supervised to ensure they do not play with dispenser. Keep the dispenser and its power cord out of reach of children younger than 8 years old.
- Service should be performed only by a certified technician.
- DO NOT damage the refrigerant circuit.
- If the supply cord is damaged, it must be replaced by the manufacturer, its service agent or similarly qualified persons in order to avoid a hazard.
- DO NOT immerse dispenser in water or any other liquid.
- The appliance must not be immersed
- ALWAYS keep ventilation openings, in the dispenser enclosure or in the built-in structure, clear of obstruction.
- DO NOT use mechanical devices or other means to accelerate the defrosting process, other than those recommended by the manufacturer.
- DO NOT store explosive substances such as aerosol cans with a flammable propellant in this dispenser.
- This dispenser is not suitable for installation in an area where a water jet could be used.
- Never turn the dispenser upside down or lean it more than 45°.
- The optimal working environment temperature and humidity level for this dispenser is 50 °F-100.4 °F (10 °C-38 °C) and ≤90% humidity.

WARNING: UV light source. Disconnect the electrical supply to the UV radiation BEFORE opening cover.

- UV-LED lamp must be repaired by manufacturer only.
- UV-LED lamp model no. YB09-950-022, rated DC 24V, 0.17W±20%.
- Disposal of the UV-LED lamp must be done in accordance with local laws and regulations.

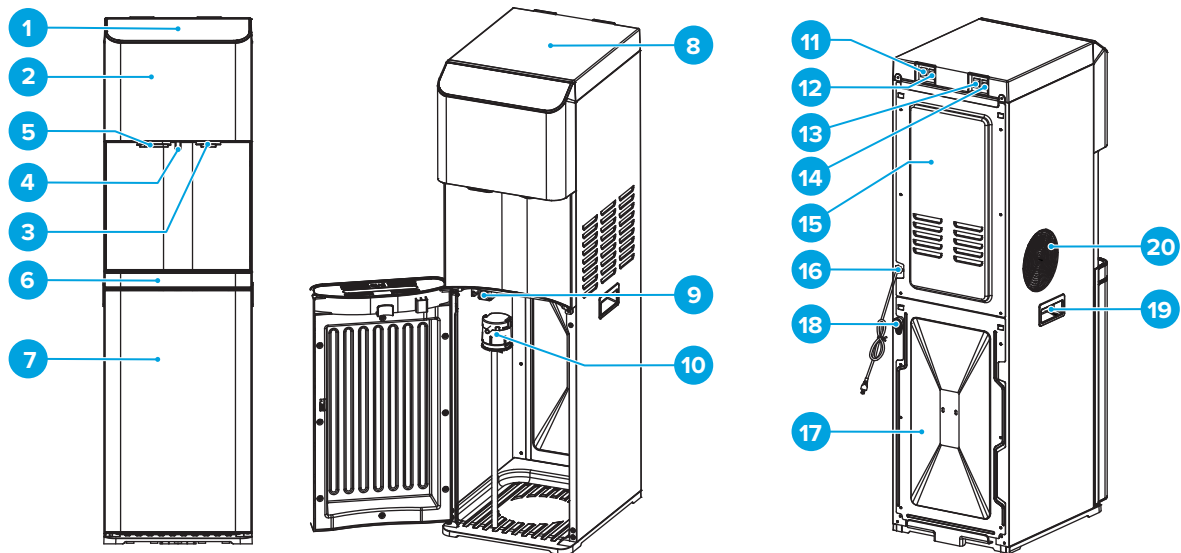
Intended Use

This dispenser is intended to be used in household and similar applications such as:

- Staff kitchen areas in shops, offices, and other working environments
- Farmhouses
- Hotels, motels, and bed-and-breakfast-type environments
- Catering and other similar non-retail applications

The dispenser is not intended for use by persons (including children) with reduced physical, sensory, or mental capabilities, or lack of experience and knowledge, unless they have been given supervision or instruction concerning use of the appliance by a person responsible for their safety.

Product Features

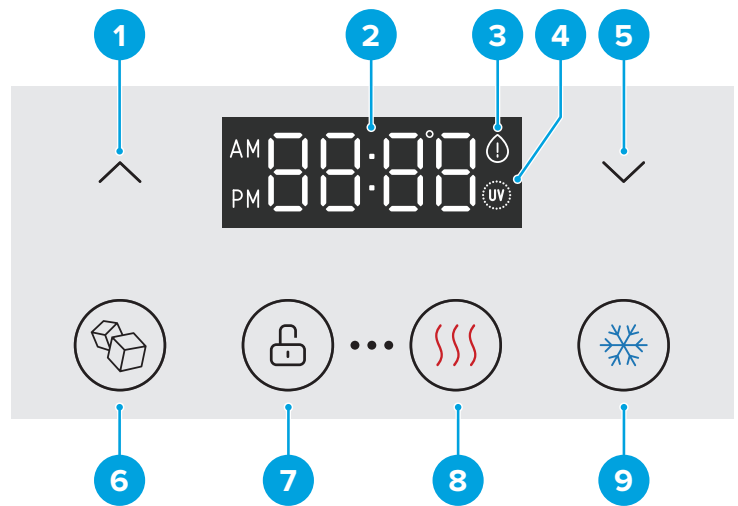


No.	Description
1	Touch panel
2	Front panel
3	Water dispense point
4	Night light
5	Ice dispense point
6	Drip tray and grid
7	Door
8	Top cover
9	Door control switch
10	Bottle adapter

No.	Description
11	Heating switch
12	Cooling switch
13	Ice-making switch
14	Night light switch
15	Upper cover plate
16	Power cord
17	Lower cover plate
18	Drain outlet with cover
19	Handle
20	Fan outlet

Touch Panel Description

No.	Description
1	Up arrow button
2	LED display
3	Change bottle icon
4	Self-cleaning UV icon
5	Down arrow button
6	Ice button
7	Lock button
8	Hot water button
9	Cold water button



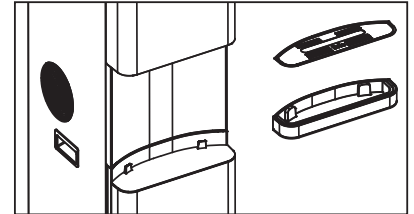
Operational Specifications

Model	CLBL720SCIC
Rated Voltage / Frequency	115 V / 60 Hz
Rated Power	580 W
Heating Power	420 W
Total Current	6A
Cooling Current	1.5 A
Hot Water Tank Volume	0.8 L
Cold Water Tank Volume	3 L
Hot Water Capacity	4 L/h (≥ 185 °F / 85 °C)
Cold Water Capacity	3 L/h (≤ 50 °F / 10 °C)
Ice Capacity	24.6 lb/day (12 kg/day)
Hot Water Flow Rate	≥ 1.2 L/min
Cold Water Flow Rate	≥ 1.2 L/min
Bullet Ice Production Rate	~9 pieces/12 mins; ~45 pieces/hour
Dimensions (WxHxD)	12.2 x 43.3 x 17.1 in. (31 x 110 x 43.5 cm)
Net Weight	57.32 lb (26 kg)
Noise	<55 dB(A)

Installation

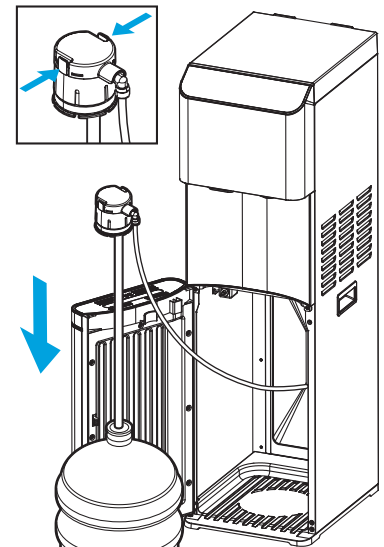
1. Determine Installation Location

- A. Place the dispenser upright.
 - B. Locate the dispenser on a hard, level surface that is out of direct sunlight and near a grounded wall outlet. Allow dispenser to sit for 30 minutes to allow condenser to settle.
- NOTE:** DO NOT plug in the power cord yet.
- C. Position the left side of the dispenser at least 8 in. (20 cm) from a wall to permit free airflow between the wall and water dispenser.



2. Install the Drip Tray and Grid

- A. Remove drip tray and grid from packaging material. Insert grid into drip tray, then slide drip tray into dispenser until it is securely in place.



3. Connect a Water Bottle

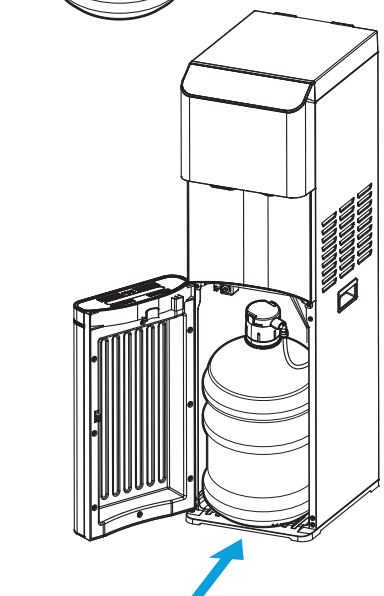
IMPORTANT: To prevent dry heating, DO NOT turn on the heating and cooling switches until you complete the steps in this procedure.

NOTE: This dispenser is compatible with 3- and 5-gallon water bottles (purchased separately). DO NOT use hard water as it may adversely affect functioning of the dispenser.

- A. Remove the plastic wrapping and cap from a new water bottle (purchased separately) and wipe down with a clean cloth.
- B. Open the cabinet door and feed the bottle adapter tube into the water bottle. Ensure the tube hits the bottom of the bottle.
- C. For a 5-gallon bottle, place the bottle adapter over the neck of the water bottle and press securely into place.
- D. For a 3-gallon bottle, press down on the two tabs on top of the bottle adapter and slide the cap down the probe tubing to adjust the bottle adapter to fit.
- E. Slide the water bottle into the dispenser cabinet and close the door. Plug in dispenser.

NOTE: Water will not pump from the bottle unless door is closed.

- F. Wait 5 minutes for the water tanks to fill with water before using the dispenser.
- G. Before dispensing water, air must be removed from the water tanks. Place a cup or container under the water dispense point. Simultaneously press the hot and cold water buttons, and allow water to dispense until it runs steadily and without air.



Using the Dispenser

IMPORTANT: This unit has been tested and sanitized prior to packing and shipping. During transit dust and odors can accumulate in the tank lines. Dispense and dispose of at least one quart of water prior to drinking any water.

Turn the Dispenser On/Off

IMPORTANT: Before you plug in the dispenser and turn on the heating and cooling switches, ensure a full bottle of water is installed.

1. If you have not already done so, plug in dispenser and wait 5 minutes to allow tanks to fill with water.
2. Press and hold hot and cold water buttons until water begins to dispense.
3. To power on the cooling system, flip the cooling switch on the back of the dispenser to the On position. The cold water button illuminates in blue, indicating that the dispenser is cooling water. The light changes to white when the cooling process is complete.
4. To power on the heating system, flip the heating switch on the back of the dispenser to the On position. The hot water button illuminates in red, indicating the dispenser is heating water. The light changes to white when the heating process is complete.
5. To power on the ice-making system, flip the ice-making switch on the back of the dispenser to the On position. The ice button illuminates in blue, indicating that the dispenser is making ice. The light changes to white when the ice-making process is complete.

NOTE: To protect the refrigeration system, the compressor and fan do not begin working until 2 minutes after the power cord has been plugged in.

Set the Time

1. Simultaneously press and hold the up and down arrow buttons for 3 seconds or until the displayed time begins to blink.
2. To adjust hours, press the ice button, then use the up and down arrow buttons to scroll to the correct hour. To adjust minutes, press the cold water button, and use the up and down arrow buttons to scroll to the correct the minutes.
3. Simultaneously press the up and down arrow buttons for 3 seconds when finished. The selected time will be displayed.

Dispense Ice

NOTE: It takes approximately 1 hour after plugging in dispenser and turning on the ice-making switch to create enough ice to be dispensed. It takes approximately 4 hours for the ice storage chamber to completely fill.

1. Place a drinking glass or container under the ice dispense point and press the ice button to dispense ice.
2. Release the button when your container is full.

Dispense Cold Water

NOTE: It takes approximately 1 hour after plugging in dispenser and turning on cooling switch for water to reach its coldest temperature.

1. Place a drinking glass or container under the water dispense point and press the cold water button to dispense cold water.

Dispense Hot Water

CAUTION: This unit dispenses water at temperatures that can cause severe burns. Avoid direct contact with hot water. Keep children and pets away from the unit while dispensing. Never allow children to dispense hot water without proper and direct supervision. To disable the heating feature, turn the heating switch on the back of the dispenser to the Off position.

NOTE: It takes approximately 15 to 20 minutes after plugging in dispenser and turning on heating switch for water to reach its hottest temperature.

1. The dispenser is equipped with a child-safety feature to prevent inadvertent dispensing of hot water. If you wish to dispense hot water, first place a cup or container beneath the water dispense point. Press the lock button to unlock the hot water button, then release. Press and hold the hot water button to dispense hot water.
2. Release the button when your container is full. Hot water button will automatically lock.

Change the Water Bottle

CAUTION: DO NOT dispense hot or cold water if the change bottle icon is flashing. You could empty the tanks and cause the dispenser to overheat.

When the change bottle icon begins to blink, it is time to replace your empty water bottle with a new water bottle:

1. Open the dispenser cabinet door and remove the empty bottle.
2. Remove the bottle adapter, letting any remaining water on the tube drip into the bottle. Once dripping has stopped, place the bottle adapter on the hook and set the empty bottle aside.
3. Follow the steps under “Connect a Water Bottle” on page 5 to install your new water bottle.
4. Recycle the empty bottle at your local exchange center.

Cleaning and Maintenance

This dispenser runs on a continuous UV cleaning cycle. It works for 40 minutes (UV icon on display is on), turns off for 140 minutes, and then cycles back on again as long as the dispenser is plugged in and on.

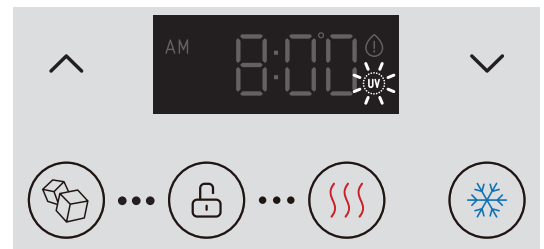
Clean the Reservoirs

The reservoirs should be cleaned every 3 to 4 months to remove mineral buildup and optimize dispenser performance.

Gather the following supplies:

- 200g (approx. 1.5 cups) citric acid crystals
- Hot water
- Large bucket or empty 5-gallon bottle
- Small bucket
- Clean dry cloth

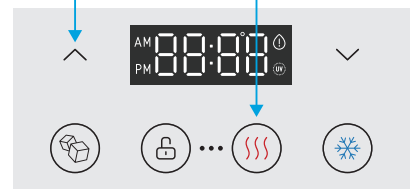
IMPORTANT: BEFORE beginning cleaning process, dispense ALL ice from bin by pressing the ice button. Ice bin MUST BE empty before cleaning reservoirs.



- A. Turn the hot, cold, ice, and night light switches to the OFF position, and unplug dispenser.
- B. Remove the water bottle, then move the dispenser away from the wall to gain access to the back.
- C. To empty the hot water reservoir, remove the screw on the transparent drain cover on the back of the cooler. Place the small bucket under the drain. Remove the red drain plug and allow water in hot water tank to drain. After all the water has been drained, reinstall the drain plug. Discard the water.



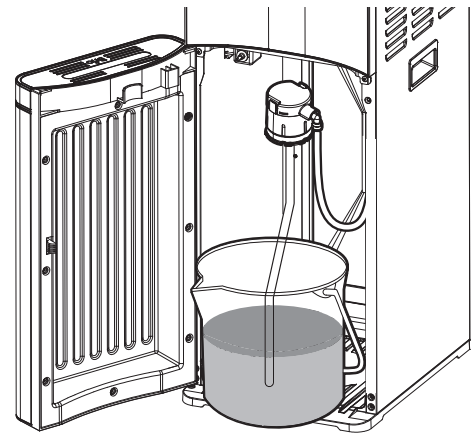
- D. To empty the cold water reservoir, place the small bucket under the water dispense point on the front of the cooler. Plug in the cooler. After the cooler has powered on and within 3 seconds after the lights have stopped flashing, simultaneously press and hold the Up arrow and Hot water button for 3 seconds. The cooler will begin draining. This process will last approximately 5 minutes or until the cold water reservoir is empty. When the process has ended, discard the water. Unplug the cooler.



- E. Pour citric acid crystals, then 2 gallons of hot water into the 5-gallon bottle or bucket. Stir or agitate briefly to mix.

- F. Insert the bottle adapter tube into the bottle or bucket with the solution, secure the cap if using a bottle, and slide into dispenser, shutting door securely.

- G. Plug in the cooler. Wait approximately 3 minutes to allow the cleaning solution to fill the hot and cold water reservoirs. Once the reservoirs have been filled, dispense a small amount of cold water, then hot water from the dispense point. Turn on the green cooling switch (12). Wait 30 minutes for the cleaning cycle to complete.

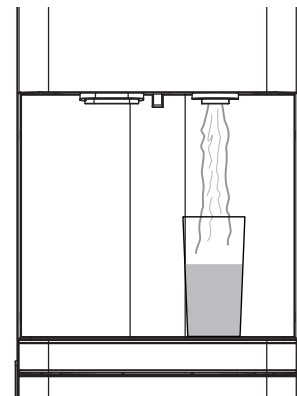


- H. Drain the reservoirs as described in steps C and D. Rinse out the solution bottle or bucket, then fill with 2 gallons of fresh hot tap water and repeat process described in step F. Allow reservoirs to fill.

- I. Place the bucket at the back of the dispenser. Remove the drain plug while simultaneously pressing the dispense buttons. Once reservoirs have been drained, replace drain plug.

- J. Return dispenser to its location, install a fresh bottle of water, allow reservoirs to fill, and then turn hot, cold, and ice switches ON.

- K. If any odor or taste persists after cleaning, repeat the above steps using 2 cups of white vinegar and 2 gallons of water.



Troubleshooting

Problem	Solution
The cold water is not cold	<ul style="list-style-type: none"> • It takes approximately one hour after setup to dispense cold water. • Make sure the power cord is properly connected to a working outlet. • Ensure your dispenser's back and non-fan-outlet sides are 12 in. (30 cm) from walls, and the fan-outlet side is 19.5 in. (50 cm) from the wall. • Make sure green power switch on back of dispenser is On.
There is no ice	<ul style="list-style-type: none"> • It takes approximately one hour after setup to dispense ice. • Make sure the power cord is properly connected to a working outlet. • Ensure your dispenser's back and non-fan-outlet sides are 12 in. (30 cm) from walls, and the fan-outlet side is 19.5 in. (50 cm) from the wall. • Make sure black ice-making switch on back of dispenser is On. • If there is still no ice, contact customer service for assistance.
The hot water is not hot	<ul style="list-style-type: none"> • It takes 15-20 minutes after setup to dispense hot water. • Make sure the power cord is properly connected to a working outlet. • Make sure red heating switch on back of dispenser is On.
The night light is not working	<ul style="list-style-type: none"> • Make sure the power cord is properly connected to a working outlet. • Make sure the blue night light switch on back of dispenser is On.
The dispenser is noisy	<ul style="list-style-type: none"> • Ensure the dispenser is located on a sturdy, level surface. • The heating tube may be generating a slight noise. This is normal.
The bottle is leaking	<ul style="list-style-type: none"> • Ensure the bottle is installed correctly. • Check to see if the bottle is cracked or broken. If so, replace the bottle.
The dispenser is not dispensing water	<ul style="list-style-type: none"> • Check to see if the bottle is empty and replace with a new bottle if necessary. • There may still be air in the tank. Press and hold the hot and cold water buttons until water begins to flow smoothly and steadily.

Warranty

Brio (“Vendor”) warrants to the original purchaser of the Brio Water Cooler (the “Product”), and to no other person, that if the Product is assembled and operated in accordance with the printed instructions accompanying it, then for a period of one (1) year from the date of purchase, all parts in the Product shall be free from defects in material and workmanship. This Limited Warranty shall be limited to repair or replacement of parts, which prove defective under normal use and service and which Vendor shall determine in its reasonable discretion upon examination to be defective. To take advantage of this Limited Warranty, please follow these steps:

1. Please retain your sales slip or invoice, as Vendor may require reasonable proof of your date of purchase.
2. Contact Vendor’s Customer Service Department using the contact information listed below.
3. Return parts to Vendor, per Vendor’s instructions, at your cost and expense.
4. Upon receipt by Vendor, Vendor shall advise you in writing whether a defect covered by this Limited Warranty exists in any returned part and whether your claim has been approved or denied.
5. Upon Vendor’s approval of your claim, Vendor will replace such defective part without charge to you.

WHAT THIS LIMITED WARRANTY DOES NOT COVER: This Limited Warranty does not cover any failures or operating difficulties of the Product due to accident, abuse, misuse, alteration, misapplication, improper installation or improper maintenance or service by you or any third party, or failure to perform normal and routine maintenance on the Product, as set out in the User’s Manual. In addition, this Limited Warranty does not cover damages to the finish, such as scratches, dents, discoloration or rust after purchase.

This Limited Warranty is the only express warranty given on the Product and is in lieu of all other express warranties. Vendor disclaims all warranties for products that are purchased from seller other than authorized retailers or distributors. THIS LIMITED WARRANTY RESTRICTS THE DURATION OF ANY AND ALL IMPLIED WARRANTIES, INCLUDING WITHOUT LIMITATION, THE IMPLIED WARRANTY OF MERCHANTABILITY AND FITNESS FOR A PARTICULAR PURPOSE TO THE ONE (1) YEAR TERM OF THIS LIMITED WARRANTY. UPON THE EXPIRATION OF THE ONE (1) YEAR TERM OF THIS LIMITED WARRANTY, VENDOR DISCLAIMS ANY AND ALL IMPLIED WARRANTIES, INCLUDING WITHOUT LIMITATION THE IMPLIED WARRANTIES OF MERCHANTABILITY AND FITNESS FOR A PARTICULAR PURPOSE, THE PRODUCT BEING THUS SOLD AS-IS, WITH ALL FAULTS. FURTHER, VENDOR SHALL HAVE NO LIABILITY WHATSOEVER TO PURCHASER OR ANY THIRD PARTY FOR ANY SPECIAL, INDIRECT, PUNITIVE, INCIDENTAL, OR CONSEQUENTIAL DAMAGES. OTHER THAN THIS LIMITED WARRANTY, THERE ARE NO WARRANTIES WHICH EXTEND BEYOND THE DESCRIPTION ON THE FACE HEREOF. Vendor assumes no responsibility for any defects caused by third parties. This Limited Warranty gives you specific legal rights, and you may have other rights which vary from state to state. State law may also override statements in this Limited Warranty regarding the restriction on the duration of implied warranties. Some jurisdictions do not allow exclusion or limitation of special, incidental or consequential damages, or limitations on how long a warranty lasts, so the above exclusion and limitations may not apply to you.

Brio[®]

WWW.BRIOWATER.COM

©2024 Brio Water Technology, Inc.