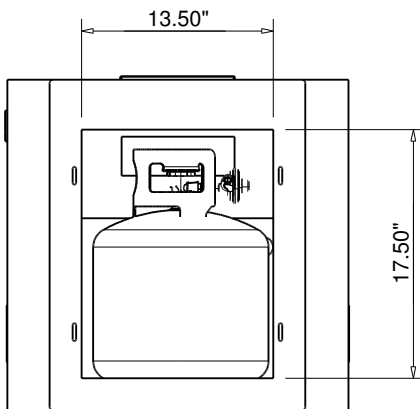
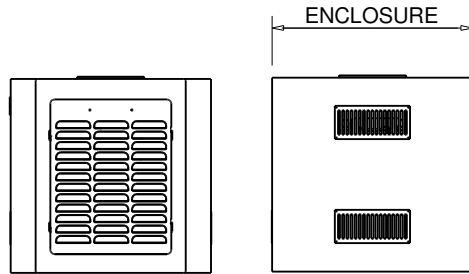
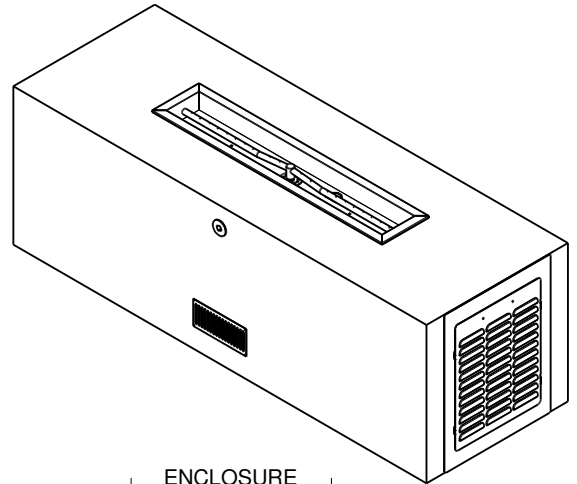
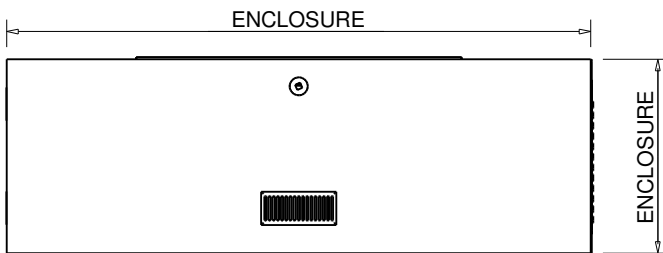
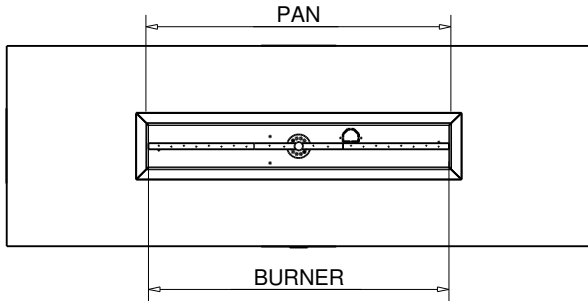




**Hearth Products Controls Co**  
FOR COMMERCIAL AND RESIDENTIAL USE

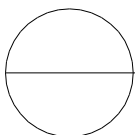
HEARTH PRODUCTS CONTROLS  
2225 LYONS RD.  
MIAMISBURG, OH 45342  
TOLL FREE: 877.585.9800  
PHONE: 937.436.9800  
www.hpcfire.com



MODEL	BTU	DIMENSION CHART		
		ENCLOSURE	PAN	BURNER
UST54S/FPPK25CEK-LP	90k	54X54X23.5"	25"	18"
UST54S/MLFPK25CEK-LP	65k	54X54X23.5"	25"	18"
UST70X24/36FPPKCEK-LP	90k	70X24X23.5"	36"	35"
UST70X24/36MLFPKCEK-LP	65k	70X24X23.5"	36"	35"
UST80X24/48FPPKCEK-LP	90k	80X24X23.5"	48"	47"
UST80X24/48MLFPKCEK-LP	65k	80X24X23.5"	48"	47"
UST70X24/36X14FPPKCEK-LP	90k	70X24X23.5"	36X14"	30X8"
UST70X24/36X14MLFPKCEK-LP	65k	70X24X23.5"	36X14"	30X8"
UST80X24/49X8FPPKCEK-LP	90k	80X24X23.5"	49X8"	48"
UST80X24/49X8MLFPKCEK-LP	65k	80X24X23.5"	49X8"	48"

Notes:

- PROPER VENTING
  - ENCLOSURES: Recommend 4 each 18 sq.in. vents
- GAS SUPPLY - FOR USE WITH SMALL TANKS.
  - LP Gas: Operating Supply Pressure: Minimum: 10.0" W.C.; Maximum: 11.0" W.C.
- MODIFICATION OF PRODUCT WILL VOID ANY CERTIFICATION AND WARRANTY.
- FOLLOW ALL MANUFACTURER INSTALLATION INSTRUCTIONS AND LOCAL CODES.
- ALL DIMENSIONS ARE CONSIDERED TRUE AND REFLECT MANUFACTURER'S SPECIFICATIONS AS OF THE REVISION DATE.
- DO NOT SCALE DRAWING.
- THESE DRAWINGS ARE FOR SIZING AND PLANNING PURPOSES. ALL INFORMATION CONTAINED HEREIN WAS CURRENT AT THE TIME OF DEVELOPMENT. THE MANUFACTURER'S RESPONSIBLE FOR THE ACCURACY OF THE DRAWING.
- CONTRACTOR'S NOTE: FOR PRODUCT AND COMPANY INFORMATION VISIT [www.CADdetails.com/info](http://www.CADdetails.com/info) REFERENCE NUMBER 771-073.



READY TO FINISH SQUARE AND RECTANGLE SMALL TANK SERIES