



# INSTALLATION AND OPERATION MANUAL

## Ascent™ 36-1

### SAFETY INFORMATION

#### ! WARNING

#### FIRE OR EXPLOSION HAZARD

Failure to follow safety warnings exactly could result in serious injury, death, or property damage.

- Do not store or use gasoline or other flammable vapors and liquids in the vicinity of this or any other appliance.

#### - WHAT TO DO IF YOU SMELL GAS:

- Do not try to light any appliance.
- Do not touch any electrical switch; do not use any phone in your building.
- Immediately call your gas supplier from a neighbour's phone. Follow the gas supplier's instructions.
- If you cannot reach your gas supplier, call the fire department.

- Installation and service must be performed by a qualified installer, service agency, or the supplier.

This appliance may be installed in an aftermarket, permanently located, manufactured home (USA only) or mobile home, where not prohibited by local codes.

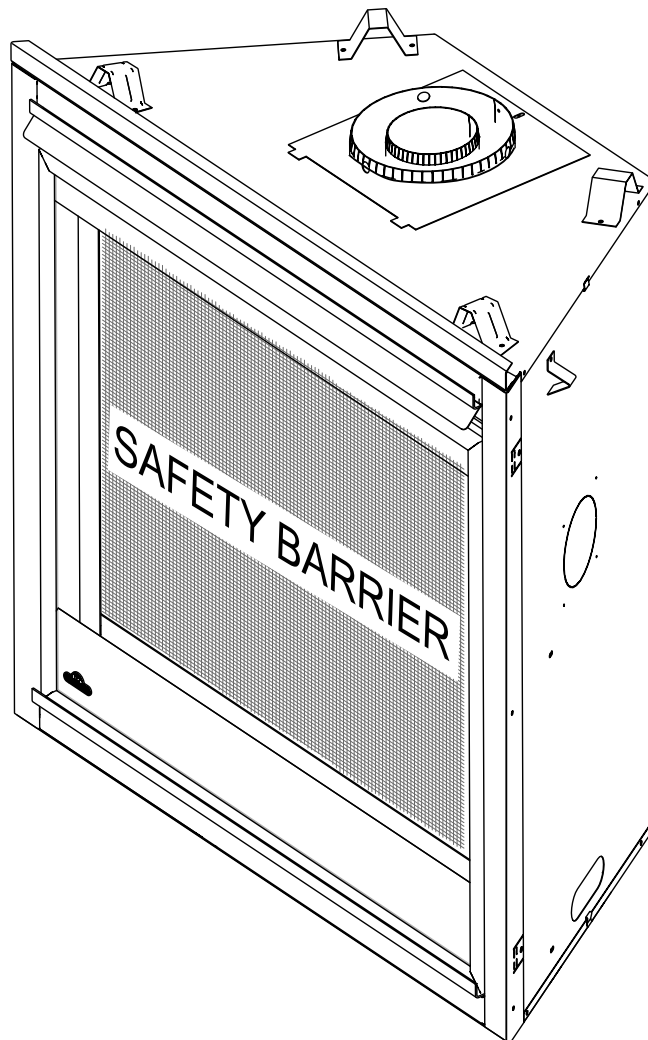
This appliance is only for use with the type of gas indicated on the rating plate. This appliance is not convertible for use with other gases, unless a certified kit is used.

#### INSTALLER:

Leave this manual with the appliance

#### CONSUMER:

Retain this manual for future reference



### FOR INDOOR USE ONLY

CERTIFIED TO THE CANADIAN AND AMERICAN NATIONAL STANDARDS:  
CSA 2.22 AND ANSI Z21.50 FOR VENTED DECORATIVE GAS APPLIANCES



Wolf Steel Ltd., 24 Napoleon Rd., Barrie, ON, L4M 0G8 Canada / 103 Miller Drive, Crittenden, Kentucky, USA, 41030  
Phone 1 (866) 820-8686 • www.napoleon.com • hearth@napoleon.com

## ! WARNING

- **This appliance is hot when operated and can cause severe burns if contacted.**
- **Any changes or alterations to this appliance or its controls can be dangerous and is prohibited.**
- Do not operate appliance before reading and understanding operating instructions. Failure to operate appliance according to operating instructions could cause fire or injury.
- Ensure the glass door is opened or removed when lighting the pilot for the first time and when the gas supply has run out.
- Risk of fire or asphyxiation, do not operate appliance with fixed glass removed and never obstruct the front opening of the appliance.
- Do not connect 110 volts to the control valve, with the exception of models; GSST8 and GT8.
- Risk of burns. The appliance should be turned off and cooled before servicing.
- Do not install damaged, incomplete or substitute components.
- Risk of cuts and abrasions. Wear protective gloves, protective footwear, and safety glasses during installation. Sheet metal edges may be sharp.
- Do not burn wood or other materials in this appliance.
- Provide adequate ventilation and combustion air. Provide adequate accessibility clearance for servicing and operating the appliance.
- High pressure will damage valve. Disconnect gas supply piping before pressure testing gas line at test pressures above 1/2 psig. Close the manual shut-off valve before pressure testing gas line at test pressures equal to or less than 1/2 psig (35mb).
- The appliance must not be operated at temperatures below freezing (32°F / 0°C). Allow the appliance to warm to above freezing prior to operation, with the exception of models; GSS36, GSS42; these appliances are suitable for 0°F / -18°C.
- **Children and adults should be alerted to hazards of high surface temperature and should stay away to avoid burns or clothing ignition.**
- **Young children should be carefully supervised when they are in the same room as the appliance. Toddlers, young children and others may be susceptible to accidental contact burns. A physical barrier is recommended if there are at risk individuals in the house. To restrict access to an appliance or stove, install an adjustable safety gate to keep toddlers, young children and other at risk individuals out of the room and away from hot surfaces.**
- **Clothing or other flammable material should not be placed on or near the appliance.**
- **Due to high temperatures, the appliance should be located out of traffic and away from furniture and draperies.**
- Furniture or other objects must be kept a minimum of 4 feet (1.22m) away from the front of the appliance.
- Ensure you have incorporated adequate safety measures to protect infants/toddlers from touching hot surfaces.
- Even after the appliance is off, it will remain hot for an extended period of time.
- Check with your local hearth specialty dealer for safety screens and hearth guards to protect children from hot surfaces. These screens and guards must be fastened to the floor.
- **Any safety screen, guard or barrier removed for servicing the appliance, must be replaced prior to operating the appliance.**
- It is imperative that the control compartments, burners and circulating blower and its passageway in the appliance and venting system are kept clean. The appliance and its venting system should be inspected before use and at least annually by a qualified service person. More frequent cleaning may be required due to excessive lint from carpeting, bedding material, etc. The appliance area must be kept clear and free from combustible materials, gasoline and other flammable vapors and liquids.
- If the appliance shuts off, do not re-light until you provide fresh air. If appliance keeps shutting off, have it serviced. Keep burner and control compartment clean.
- Under no circumstances should this appliance be modified.
- Do not allow wind or fans to blow directly into the appliance. Avoid any drafts that alter burner flame patterns.

# DANGER

**HOT GLASS WILL CAUSE BURNS.**

**DO NOT TOUCH GLASS UNTIL COOLED.**

**NEVER ALLOW CHILDREN TO TOUCH GLASS.**

A barrier designed to reduce the risk of burns from the hot viewing glass is provided with this appliance and must be installed for the protection of children and other at-risk individuals.

**! WARNING**


- Do not use a blower insert, heat exchanger insert or other accessory not approved for use with this appliance.
- This appliance must not be connected to a chimney flue pipe serving a separate solid fuel burning appliance.
- Do not use this appliance if any part has been under water. Immediately call a qualified service technician to inspect the appliance and to replace any part of the control system and any gas control which has been under water.
- Do not operate the appliance with the glass door removed, cracked or broken. Replacement of the glass should be done by a licensed or qualified service person, if equipped.
- Do not strike or slam shut the appliance glass door, if equipped.
- **Only doors / optional fronts certified with the appliance are to be installed on the appliance.**
- Keep the packaging material out of reach of children and dispose of the material in a safe manner. As with all plastic bags, these are not toys and should be kept away from children and infants.
- Carbon or soot should not occur in a vent free appliance as it can distribute into the living area of your home. If you notice any signs of carbon or soot, immediately turn off your appliance and arrange to have it serviced by a qualified technician before operating it again.
- If equipped, the screen must be in place (closed) when the appliance is in operation.
- When equipped with pressure relief doors, they must be kept closed while the appliance is operating to prevent exhaust fumes containing carbon monoxide, from entering into the home. Temperatures of the exhaust escaping through these openings can also cause the surrounding combustible materials to overheat and catch fire.
- Carbon monoxide poisoning may lead to death; early signs of carbon monoxide poisoning resemble the flu, with headache, dizziness and/or nausea. If you have these signs, the appliance may not be working properly. Get fresh air at once! Have appliance serviced. Some people; pregnant women, persons with heart or lung disease, anemia, those under the influence of alcohol, those at high altitudes are more affected by carbon monoxide than others. Failure to keep the primary air opening(s) of the burner(s) clean may result in sooting and property damage.
- As with any combustion appliance, we recommend having your appliance regularly inspected and serviced as well as having a Carbon Monoxide Detector installed in the same area to defend you and your family against Carbon Monoxide (not applicable for outdoor appliances).
- Ensure clearances to combustibles are maintained when building a mantel or shelves above the appliance. Elevated temperatures on the wall or in the air above the appliance can cause melting, discolouration or damage to decorations, a TV or other electronic components.
- **For appliances equipped with a safety barrier; if the barrier becomes damaged, the barrier shall be replaced with the manufacturer's barrier for this appliance.**
- **Installation and repair should be done by a qualified service person. It is imperative that control compartments, burners and circulating air passageways of the appliance be kept clean.**
- For outdoor products only: this appliance must not be installed indoors or within any structure that prevents or inhibits the exhaust gases from dissipating in the outside atmosphere.
- If applicable, the millivolt version of this appliance uses and requires a fast acting thermocouple. Replace only with a fast acting thermocouple supplied by Wolf Steel Ltd.

**! WARNING:** This product can expose you to chemicals including lead and lead compounds, which are known to the State of California to cause cancer, and chemicals including carbon monoxide, which are known to the State of California to cause birth defects or other reproductive harm. For more information, go to [www.P65Warnings.ca.gov](http://www.P65Warnings.ca.gov).

**! WARNING !**

**FIRE RISK HAZARD / DELAYED IGNITION**

High supply pressure will damage the valve / controls.



Disconnect the appliance main gas valve/control from the supply piping when pressure testing that system at pressures in excess of 1/2 psi (3.5 kPa).

Isolate the appliance with it's shut off valve during any pressure testing of the supply piping at pressures equal to or less than 1/2 psi (3.5 kPa).

|            |   |           |             |   |           |
|------------|---|-----------|-------------|---|-----------|
| <b>1.0</b> | <b>general information</b>                        | <b>5</b>  | <b>5.0</b>  | <b>electrical information</b>                     | <b>42</b> |
| 1.1        | rates and efficiencies                            | 5         | 5.1         | wiring diagram                                    | 42        |
| 1.2        | installation checklist                            | 6         | 5.2         | battery back-up installation<br>(dexen)           | 43        |
| 1.3        | installation overview                             | 7         | <b>6.0</b>  | <b>gas installation</b>                           | <b>44</b> |
| 1.4        | rating plate information                          | 9         | <b>7.0</b>  | <b>operation</b>                                  | <b>45</b> |
| 1.5        | mobile home installation                          | 9         | <b>8.0</b>  | <b>finish framing</b>                             | <b>46</b> |
| 1.6        | dimensions  | 10        | 8.1         | minimum framing dimensions                        | 46        |
| <b>2.0</b> | <b>venting requirements</b>                       | <b>11</b> | <b>9.0</b>  | <b>finishing</b>                                  | <b>47</b> |
| 2.1        | typical vent installation                         | 12        | 9.1         | safety barrier / door removal and<br>installation | 47        |
| 2.2        | special vent installations                        | 14        | 9.2         | front hood installation                           | 48        |
| 2.2.1      | periscope termination                             | 14        | 9.3         | non-combustible facing material                   | 49        |
| 2.2.2      | corner termination                                | 14        | 9.4         | minimum mantel clearances                         | 50        |
| 2.3        | minimum air terminal location<br>clearances       | 15        | 9.5         | recessed installation                             | 51        |
| 2.4        | venting application flow chart                    | 16        | 9.6         | log placement                                     | 52        |
| 2.5        | definitions                                       | 16        | 9.7         | glowing embers                                    | 54        |
| 2.6        | elbow vent length values                          | 17        | 9.8         | charcoal embers                                   | 54        |
| 2.7        | top exit horizontal termination                   | 17        | 9.9         | logo placement                                    | 54        |
| 2.8        | rear exit horizontal termination                  | 19        | <b>10.0</b> | <b>optional blower installation</b>               | <b>55</b> |
| 2.9        | top and rear exit vertical<br>termination         | 21        | <b>11.0</b> | <b>adjustment</b>                                 | <b>56</b> |
| 2.10       | rear exit   | 23        | 11.1        | check pressure readings                           | 56        |
| 2.11       | rear exit shield (for rear vent only)             | 24        | 11.2        | venturi adjustment                                | 56        |
| 2.12       | top exit  | 25        | 11.3        | flame characteristics                             | 57        |
| <b>3.0</b> | <b>rough framing</b>                              | <b>26</b> | <b>12.0</b> | <b>maintenance</b>                                | <b>58</b> |
| 3.1        | minimum framing dimensions                        | 27        | 12.1        | annual maintenance                                | 58        |
| 3.2        | minimum enclosure clearances                      | 28        | 12.2        | door glass replacement                            | 59        |
| <b>4.0</b> | <b>venting installation</b>                       | <b>33</b> | 12.3        | care of glass                                     | 59        |
| 4.1        | horizontal installation                           | 34        | <b>13.0</b> | <b>replacement parts</b>                          | <b>60</b> |
| 4.2        | vertical installation                             | 35        | 13.1        | overview  | 61        |
| 4.3        | using either flexible or rigid vent<br>components | 36        | 13.2        | valve train assembly                              | 62        |
| 4.3.1      | horizontal air terminal installation              | 36        | <b>14.0</b> | <b>accessories</b>                                | <b>63</b> |
| 4.3.2      | vertical air terminal installation                | 37        | <b>15.0</b> | <b>troubleshooting</b>                            | <b>64</b> |
| 4.3.3      | appliance vent connection                         | 37        | <b>16.0</b> | <b>warranty</b>                                   | <b>67</b> |
| 4.3.4      | horizontal air terminal installation              | 38        |             |   |           |
| 4.3.5      | vertical air terminal installation                | 39        |             |   |           |
| 4.4        | vertical through existing chimney                 | 40        |             |   |           |
| 4.4.1      | restricting vertical vents                        | 41        |             |   |           |

**note:**

The information throughout this manual is believed to be correct at the time of printing. Wolf Steel Ltd. reserves the right to change or modify any information within this manual at any time without notice. Changes, other than editorial, are denoted by a vertical line in the margin.

**Installer, please fill out the following information:**

Customer: \_\_\_\_\_  
 Address: \_\_\_\_\_  
 Date of Installation: \_\_\_\_\_  
 Location of appliance: \_\_\_\_\_  
 Installer: \_\_\_\_\_  
 Dealer/Distributor contact number: \_\_\_\_\_  
 Serial #: \_\_\_\_\_

Model:

**Natural Gas:**  B36NTREA-1

**Propane:**  B36PTREA-1

## 1.0 general information

When the appliance is installed at elevations above 4,500ft (1372m), and in the absence of specific recommendations from the local authority having jurisdiction, the certified high altitude input rating shall be reduced at the rate of 4% for each additional 1,000ft (305m). Expansion / contraction noises during heating up and cooling down cycles are normal and are to be expected. Change in flame appearance from “HI” to “LO” is more evident in natural gas than in propane.

This appliance is approved for bathroom, bedroom and bed-sitting room installations and is certified for mobile home installation.

**This appliance is only for use with the type of gas indicated on the rating plate. This appliance is not convertible for use with other gases, unless a certified kit is used.**

**note:**  
 A barrier designed to reduce the risk of burns from the hot viewing glass is provided with the appliance and must be installed.

The protective wrap on plated parts is best removed when the assembly is at room temperature but this can be improved if the assembly is warmed, using a hair dryer or similar heat source.

**Vented decorative gas appliance: not a source of heat; not for use with solid fuel.**



Batteries must be disposed of according to the local laws and regulations. Some batteries may be recycled, and may be accepted for disposal at your local recycling center. Check with your municipality for recycling instructions.

### 1.1 rates and efficiencies

| Fuel Type                                 | Natural Gas      | Propane         |
|---|------------------|-----------------|
| Altitude (FT)                             | 0-4,500          |                 |
| Max. Input (BTU/hr)                       | 18,000           |                 |
| Min. Inlet Gas Supply Pressure            | 4.5" w.c. (11mb) | 11" w.c. (27mb) |
| Max. Inlet Gas Supply Pressure            | 7"* w.c. (17mb)  | 13" w.c. (32mb) |
| Manifold Pressure (Under Flow Conditions) | 3.5" w.c. (9mb)  | 10" w.c. (25mb) |

\* Max. inlet pressure not to exceed 13".

# general information

## 1.2 installation checklist

### GAS FIREPLACE INSTALLATION CHECKLIST

Customer: \_\_\_\_\_ Date Installed: \_\_\_\_\_  
 Address: \_\_\_\_\_ Installer: \_\_\_\_\_  
 Model: \_\_\_\_\_ Dealer: \_\_\_\_\_  
 Serial #: \_\_\_\_\_ Dealer Phone #: \_\_\_\_\_

This checklist is a reference tool only. It is not intended as a substitute for the installation instructions.

#### Fireplace Installation

|   | <u>YES</u>               | <u>IF NOT, PLEASE EXPLAIN WHY?</u> |
|---|--------------------------|------------------------------------|
| Is the fireplace level and secured?                           | <input type="checkbox"/> | _____                              |
| Are the factory supplied non-combustible materials installed? | <input type="checkbox"/> | _____                              |
| Is the exterior wall insulated and dry-walled?                | <input type="checkbox"/> | _____                              |
| Are the clearances to combustibles maintained?                | <input type="checkbox"/> | _____                              |
| Are the logs/media installed as instructed?                   | <input type="checkbox"/> | _____                              |
| Are the accessories installed as instructed?                  | <input type="checkbox"/> | _____                              |
| Is the glass door properly sealed and unobstructed?           | <input type="checkbox"/> | _____                              |
| Is the safety barrier installed and secure?                   | <input type="checkbox"/> | _____                              |
| Are all required accessories installed (i.e. door trims)?     | <input type="checkbox"/> | _____                              |

#### Venting Installation

|   |                          |       |
|---|--------------------------|-------|
| Is the venting configuration within the parameters?           | <input type="checkbox"/> | _____ |
| Has the venting been sealed with the appropriate sealant?     | <input type="checkbox"/> | _____ |
| Is the venting supported and secured?                         | <input type="checkbox"/> | _____ |
| Are all clearances to combustibles maintained?                | <input type="checkbox"/> | _____ |
| Are the appropriate firestops and shields properly installed? | <input type="checkbox"/> | _____ |
| Is the terminal, level, secured and sealed?                   | <input type="checkbox"/> | _____ |

#### Gas and Electrical

|  |                          |       |
|--|--------------------------|-------|
| Was the fireplace converted to propane?                      | <input type="checkbox"/> | _____ |
| Was the appropriate supply pressure verified?                | <input type="checkbox"/> | _____ |
| Were all gas connections leak tested?                        | <input type="checkbox"/> | _____ |
| Is the 110 VAC supply connection to the fireplace compliant? | <input type="checkbox"/> | _____ |
| Are all electrical wires protected from damage?              | <input type="checkbox"/> | _____ |

#### Finishing

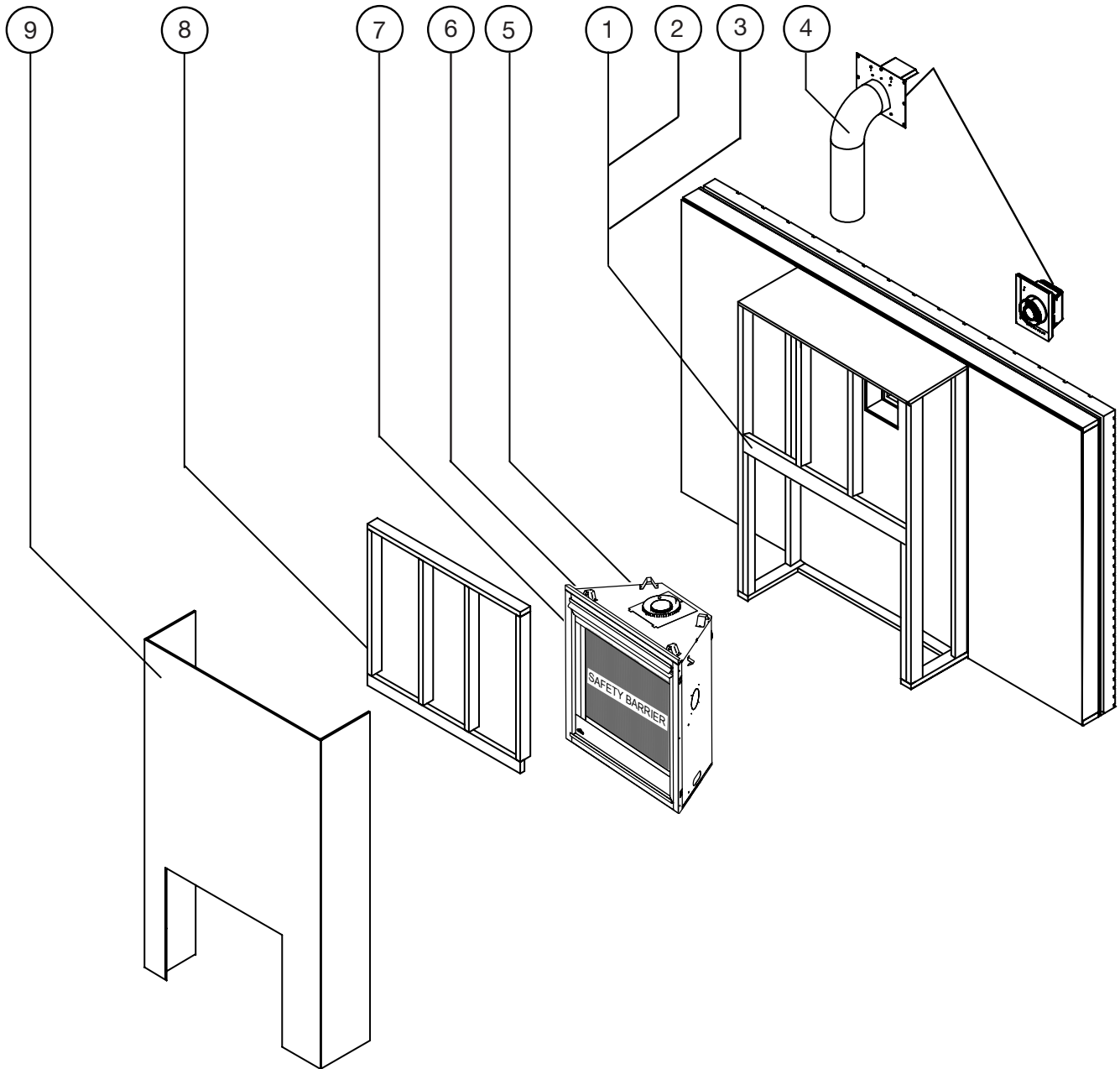
|   |                          |       |
|---|--------------------------|-------|
| Non-combustible materials used as per instructions?   | <input type="checkbox"/> | _____ |
| Enclosure instructions forwarded to builder/finisher? | <input type="checkbox"/> | _____ |
| Minimum enclosure dimensions compliant?               | <input type="checkbox"/> | _____ |
| Combustible Mantle Clearances compliant?              | <input type="checkbox"/> | _____ |

#### Commissioning

|  |                          |       |
|--|--------------------------|-------|
| Was the fireplace test fired and all operation verified?     | <input type="checkbox"/> | _____ |
| Safety and lighting instructions reviewed with the Customer? | <input type="checkbox"/> | _____ |
| Operating Instruction Manual left with the Customer?         | <input type="checkbox"/> | _____ |

Wolf Steel Ltd. recommends photographs of the various stages of construction be filed along with a copy of this completed form.

### 1.3 installation overview



#### Recommended installation steps:

1. Determine venting requirements before deciding the final location of the appliance.
2. Install rough framing (see “rough framing” section).
3. Place the appliance in its final position.
4. Install appliance venting (see “venting installation” section).
5. Install all electrical wirings (see “electrical information” section).
6. Install gas lines (see “gas installation” section).
7. Test appliance.
8. Complete framing (see “finish framing” section).
9. Complete finishing (see “finishing” section).

## WARNING

- Always light the pilot whether for the first time or if the gas supply has run out, with the glass door opened or removed.
- Provide adequate clearance for servicing and operating the appliance.
- Provide adequate ventilation.
- Never obstruct the front opening of the appliance.
- Objects placed in front of the appliance must be kept a minimum of 48" (121.9cm) from the front face of the appliance.
- Surfaces around and especially above the appliance can become hot. Avoid contact when appliance is operating.
- Fire risk. Explosion hazard.
- High pressure will damage valve. Disconnect gas supply piping before pressure testing gas line at test pressures above 1/2 PSIG (35mb). Close the manual shut-off valve before pressure testing gas line at test pressures equal to or less than 1/2 PSIG (35mb).
- Use only Wolf Steel approved optional accessories and replacement parts with this appliance using non-listed accessories (blowers, doors, louvers, trims, gas components, venting components, etc.) could result in a safety hazard and will void the warranty and certification.
- The appliance must not be operated at temperatures below freezing (32°F/0°C). Allow the appliance to warm to above freezing prior to operation.

**THIS GAS APPLIANCE MUST BE INSTALLED AND SERVICED BY A QUALIFIED INSTALLER** to conform with local codes. Installation practices vary from region to region and it is important to know the specifics that apply to your area, for example in the state of Massachusetts:

- This product must be installed by a licensed plumber or gas fitter when installed within the commonwealth of Massachusetts.
- The appliance damper must be removed or welded in the open position prior to installation of an appliance insert or gas log.
- The appliance off valve must be a "T" handle gas cock.
- The flexible connector must not be longer than 36 inches (0.9m).
- A carbon monoxide detector is required in all rooms containing gas fired appliances.
- The appliance is not approved for installation in a bedroom or bathroom unless the unit is a direct vent sealed combustion product.

The installation must conform with local codes or, in absence of local codes, the National Gas and Propane Installation Code CSA B149.1 in Canada, or the National Fuel Gas Code, ANSI Z223.1 / NFPA 54 in the United States. Suitable for mobile home installation if installed in accordance with the current standard CAN/CSA Z240MH Series, for gas equipped mobile homes, in Canada or ANSI Z223.1 and NFPA 54 in the United States.

The appliance and its individual shutoff valve must be disconnected from the gas supply piping system during any pressure testing of that system at test pressures in excess of 1/2 psig (35 mb).

The appliance must be isolated from the gas supply piping system by closing its individual manual shutoff valve during any pressure testing of the gas supply piping system at test pressures equal to or less than 1/2 psig (35 mb). When installed with a blower or fan, the junction box must be electrically connected and grounded in accordance with local codes. In the absence of local codes, use the current CSA C22.1 Canadian Electrical Code in Canada or the ANSI / NFPA 70 National Electric Code in the United States. In the case where the blower is equipped with a power cord, it must be connected into a properly grounded receptacle. The grounding prong must not be removed from the cord plug.

The following does not apply to inserts; as long as the required clearance to combustibles is maintained, the most desirable and beneficial location for an appliance is in the center of a building, thereby allowing the most efficient use of the heat created. The location of windows, doors and, the traffic flow in the room where the appliance is to be located should be considered. If possible, you should choose a location where the vent will pass through the house without cutting a floor or roof joist. If the appliance is installed directly on carpeting, vinyl tile or other combustible material other than wood flooring, the appliance shall be installed on a metal or wood panel extending the full width and depth, unless otherwise tested.

**NATIONAL  
FIREPLACE  
INSTITUTE**



**CERTIFIED**

[www.nficertified.org](http://www.nficertified.org)

We suggest that our gas hearth products be installed and serviced by professionals who are certified in the U.S. by the National Fireplace Institute® (NFI) as NFI Gas Specialists



### 1.4 rating plate information

Certified to Canadian and American National Standards: **CSA 2.22-XXXX / ANSI Z21.50-XXXX for Vented Decorative Gas Appliances**  
 Certifié selon les normes Nationales Canadiennes et Américaines: **CSA 2.22-XXXX / ANSI Z21.50-XXXX pour les Appareils à gaz décoratif à évacuation**

Direct vent, vented gas fireplaces. Approved for bedroom, bathroom and bed-sitting room installation. Suitable for mobile home installation, if installed in accordance with the current standard CAN / CSA Z240MH Series gas equipped mobile homes in Canada, or, in the United States, the *Manufactured Home Construction and Safety Standard, Title 24 CFR, Part 3280*. When this US Standard is not applicable, use the Standard for Fire Safety Criteria for Manufactured Home Installations, Sites and Communities, ANSI / NFPA 501A. This appliance must be installed in accordance with local codes, if any; if none, follow the current ANSI Z223.1 or CSA B149. **For use with barrier WXXX-XXXX. Follow installation instructions.**  
 Foyer à gaz ventilé. Homologué pour installation dans une chambre à coucher, une salle de bain et un studio. Approuvé pour installation dans une maison mobile si son installation conforme aux exigences de la norme CAN / CSA Z240MH Série de maisons mobile équipées au gaz en vigueur au Canada, ou, aux États-Unis selon la norme *24 CFR, Part 3280, Manufactured Home Construction and Safety Standard*. Dans le cas où cette norme d'États-Unis n'est pas pertinente, utiliser la norme *NFPA 501A, Fire Safety Criteria for Manufactured Home Installations, Sites and Communities*. Installer l'appareil selon les codes ou règlements locaux ou, en l'absence de tels règlements, selon les codes d'installation ANSI Z223.1 ou CSA B149 en vigueur. **Utiliser uniquement avec l'écran WXXX-XXXX. Suivre les instructions d'installation.**

SA  
Energy Verified  
C US  
Energy Verified  
Energy Verified

REFERENCE# 161746

9700539 (WSL)     4001658 (NAC)     4001657 (NGZ)     4001659 (WUSA)

**MODEL / MODÈLE**

XXXX     XXXX     XXXX     XXXX  
 XXXX     XXXX     XXXX     XXXX

Altitude    0-XXXXft (0-XXXXm)    Élévation    Alimentation Réduite

Input    XX,XXX    XX,XXX    XX,XXX  
 Reduced Input    XX,XXX    XX,XXX    XX,XXX  
 P4    XX.X%    XX.X%    XX.X%

**Manifold Pressure:** 3.5" w.c. (NG)    **Manifold Pressure:** 10" w.c. (P)  
**Minimum Supply Pressure:** 4.5" w.c. (NG)    **Minimum Supply Pressure:** 11" w.c. (P)  
**Maximum Supply Pressure:** 7" w.c. (NG)    **Maximum Supply Pressure:** 18" w.c. (P)

**Pression au Collecteur:** 3.5" d'une colonne d'eau (GN)    **Pression au Collecteur:** 10" d'une colonne d'eau (P)  
**Pression d'Alimentation Min.:** 4.5" d'une colonne d'eau (GN)    **Pression d'Alimentation Min.:** 11" d'une colonne d'eau (P)  
**Pression d'Alimentation Max.:** 7" d'une colonne d'eau (GN)    **Pression d'Alimentation Max.:** 18" d'une colonne d'eau (P)

\*\* Maximum inlet pressure not to exceed 13".    \*\* Pression d'alimentation maximale ne doit pas dépasser 13".

**Minimum clearance to combustible materials:**  
 Top, sides & back: per standoff spacers for framing and finishing materials. For non-combustible framing and finishing materials, see installation manual.  
 Top "X"    Plancher "X"  
 Floor "X"    Côtés "X"  
 Sides "X"    Arrière "X"  
 Back "X"    Dessus "X"  
 Vent top "X"    Dessus du conduit d'évent "X"  
 Vent sides & bottom "X"    Côtés et dessus du conduit d'évent "X"  
 Recessed depth "X"    Profondeur d'encastré une face "X"

\*\*\* Mantel "X" from appliance opening    \*\*\* L'extension horizontale maximale: "X"  
 \*\*\* Maximum horizontal extension    Référez au manuel d'installation pour des extensions plus grandes, les longueurs d'évacuation minimaux et maximum.  
 "X". See installation manual for greater extensions, minimum vent lengths and maximum vent lengths.  
 Electrical rating: 115V, 60Hz. Less than 12 ampere.    Specifications électriques: 115V, 60Hz. Moins de 12 ampère.

**WOLF STEEL LTD.**    24 Napoleon Road, Barrie, ON, L4M 0G8 Canada

**Serial Number / N° de Série:** XXXX    **W385-XXXX**

This illustration is for reference only. Refer to the rating plate on the appliance for accurate information.

**note:**  
 The rating plate must remain with the appliance at all times. It must not be removed.

### 1.5 mobile home installation

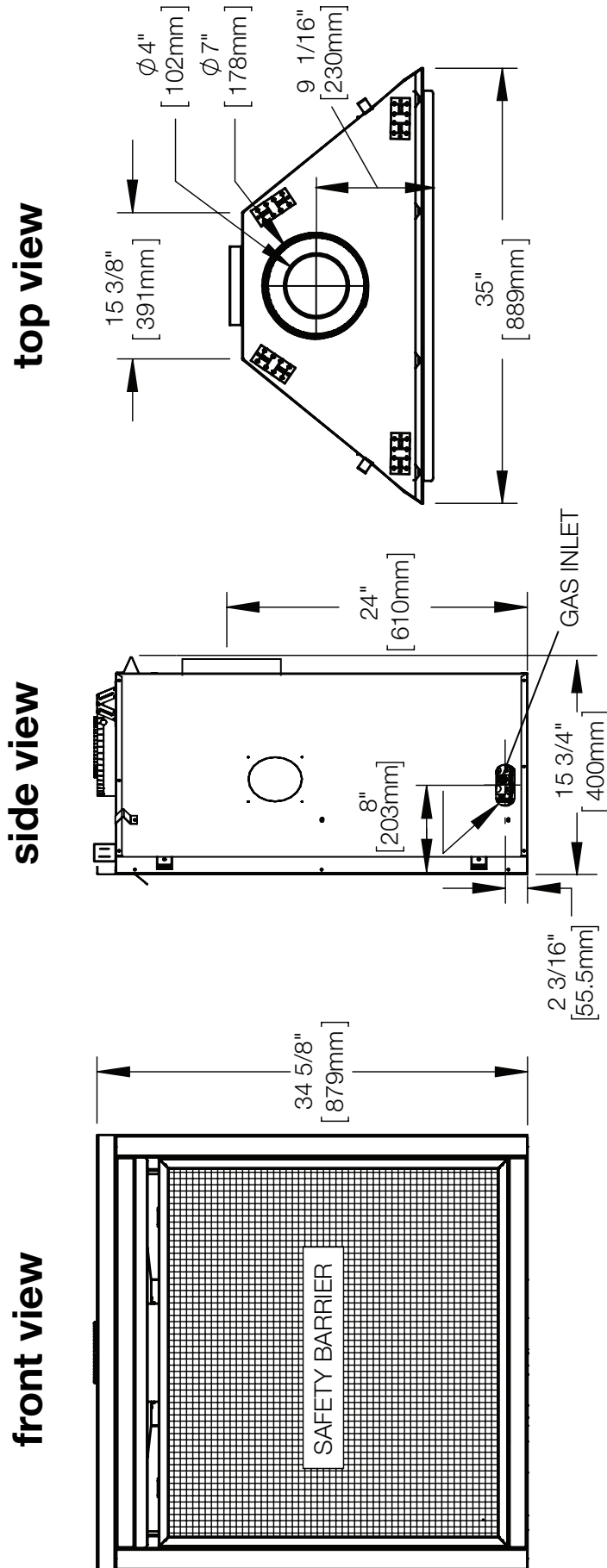
This appliance must be installed in accordance with the manufacturer's instructions and the Manufactured Home Construction and Safety Standard, Title 24 CFR, Part 3280, in the United States or the Mobile Home Standard, CAN/CSA Z240 MH Series, in Canada. This appliance is only for use with the type(s) of gas indicated on the rating plate.

This mobile/manufactured home listed appliance comes factory equipped with a means to secure the appliance. Built in appliances are equipped with 1/4" (6.4mm) diameter holes located in the front left and right corners of the base. Use appropriate fasteners, inserted through the holes in the base to secure. For free standing products contact your local authorized dealer / distributor for the appropriate securing kit. For mobile home installations, the appliance must be fastened in place. It is recommended that the appliance be secured in all installations. Always turn off the pilot and the fuel supply at the source, prior to moving the mobile home. After moving the mobile home and prior to lighting the appliance, ensure that the logs are positioned correctly.

This appliance is certified to be installed in an aftermarket permanently located, manufactured (mobile) home, where not prohibited by local codes.  
 This appliance is only for use with the type of gas indicated on the rating plate. This appliance is not convertible for use with other gases, unless a certified kit is used.

#### Conversion Kits

This appliance is field convertible between Natural Gas (NG) and Propane (P). To convert from one gas to another, consult your Authorized dealer/distributor.



## **WARNING**

- Risk of fire. Maintain specified air space clearances to vent pipe and appliance.
- The vent system must be supported every 3'(0.9m) for both vertical and horizontal runs. Use support ring assembly W010-0067 or equivalent non-combustible strapping to maintain the minimum clearance to combustibles for both vertical and horizontal runs. Spacers are attached to the inner pipe at predetermined intervals to maintain an even air gap to the outer pipe. This gap is required for safe operation. A spacer is required at the start, middle, and end of each elbow to ensure this gap is maintained. These spaces must not be removed.

**This appliance uses a 4" (102mm) exhaust / 7" (178mm) air intake vent pipe system. Refer to the section applicable to your installation.**

For safe and proper operation of the appliance, follow the venting instructions exactly. Deviation from the minimum vertical vent length can create difficulty in burner start-up and/or carboning. Under extreme vent configurations, allow several minutes (5-15) for the flame to stabilize after ignition. Although not a requirement, it is recommended for vent lengths that pass through unheated spaces (attics, garages, crawl spaces) be insulated with the insulation wrapped in a protective sleeve to minimize condensation. Provide a means for visually checking the vent connection to the appliance after the appliance is installed. Use a firestop, vent pipe shield or attic insulation shield when penetrating interior walls, floor or ceiling.

The vent terminal may be painted with a high temperature paint to match exterior colours. Use an outdoor paint suitable for 400°F (200°C). Application and performance of paint is the consumer's responsibility. Spot testing is recommended.

**note:**

If for any reason the vent air intake system is disassembled, re-install per the instructions provided for the initial installation.

This appliance must be installed with a continuous connection of exhaust and air intake vent pipes. Utilizing alternate constructions such as a chimney as part of the vent system is not permitted.

Use only Wolf Steel, Metal-Fab, BDM, Simpson Dura-Vent, or Selkirk Direct Temp venting components. Minimum and maximum vent lengths, for both horizontal and vertical installations, clearances from vent pipes to combustibles and air terminal locations as set out in this manual apply to all vent systems and must be adhered to. For Metal-Fab, BDM, Simpson Dura-Vent, or Selkirk Direct Temp, follow the installation procedure provided with the venting components or on the website for your venting supplier.

A starter adaptor must be used with the following vent systems and may be purchased through Wolf Steel or from the corresponding supplier listed below:

| Venting System  | Manufacturer                | Starter Adapter Part Number | Supplier                    | Website                |
|-----------------|-----------------------------|-----------------------------|-----------------------------|------------------------|
| SureSeal        | Metal-Fab                   | 4DNA                        | Wolf Steel                  | www.mtlfab.com         |
| Direct Vent Pro | Simpson DuraVent            | W175-0053                   | Wolf Steel                  | www.duravent.com       |
| Pro-Form        | BDM                         | DVR6-STA7                   | BDM                         | www.dalsinmfg.com      |
| Direct Temp     | Selkirk                     | 4DT-AAN                     | Selkirk                     | www.selkirkcorp.com    |
| Ventis          | Olympia Chimney and Venting | VDV-NA04-47F                | Olympia Chimney and Venting | www.olympiachimney.com |

Connections made by means of an adaptor at the appliance, as well as the connection at the vent terminal must be sealed. RTV sealant may be used on both the inner exhaust and outer intake vent pipe joints of all other approved vent systems, except for the exhaust vent pipe connection to the appliance flue collar which must be sealed using the black high temperature sealant Mill Pac.

For all vent systems is strongly recommend for all installations but required when power venting the appliance, that the outer air intake joints are sealed using either high temperature silicone (RTV) or a suitable aluminum tape that covers each joint in the vent system entirely around its circumference. This will ensure the best performance in every application and avoids performance or condensation concerns that may occur in "tightly" constructed homes, particularly those in cold climates.

When using Wolf Steel venting components, use only approved Wolf Steel rigid / flexible components with the following termination kits: wall terminal kit **GD-222**, **GD-222R**, **ST47U** or 1/12 to 7/12 pitch roof terminal kit **GD-110**, 8/12 to 12/12 roof terminal kit **GD-111**, flat roof terminal kit **GD-112** or periscope kit **GD-201** (for wall penetration below grade). With flexible venting, in conjunction with the various terminations, use either the 5 foot (1.5m) vent kit **GD-220** or the 10 foot (3.1m) vent kit **GD-330**. For stoves only: wall terminal kit **GD-175** (venting included).

**For optimum flame appearance and appliance performance, keep the vent length and number of elbows to a minimum.**

**The air terminal must remain unobstructed at all times. Examine the air terminal at least once a year to verify that it is unobstructed and undamaged.**

# venting requirements

**Rigid and flexible venting systems must not be combined. Different venting manufacturer components must not be combined.**

These vent kits allow for either horizontal or vertical venting of the appliance. The maximum allowable horizontal run is 20 feet (6.1m). The maximum allowable vertical vent length is 40 feet (12.2m). The maximum number of vent connections is two horizontally or three vertically (excluding the appliance and the air terminal connections) when using flexible venting.

Horizontal runs may have a 0" rise per foot or 0mm rise per meter however for optimum performance it is recommended that all horizontal runs have a minimum 1/4" rise per foot or 21mm rise per meter using flexible venting. For safe and proper operation of the appliance, follow the venting instructions exactly.

A terminal shall not terminate directly above a sidewalk or paved driveway which is located between two single family dwellings and serves both dwellings. Local codes or regulations may require different clearances.

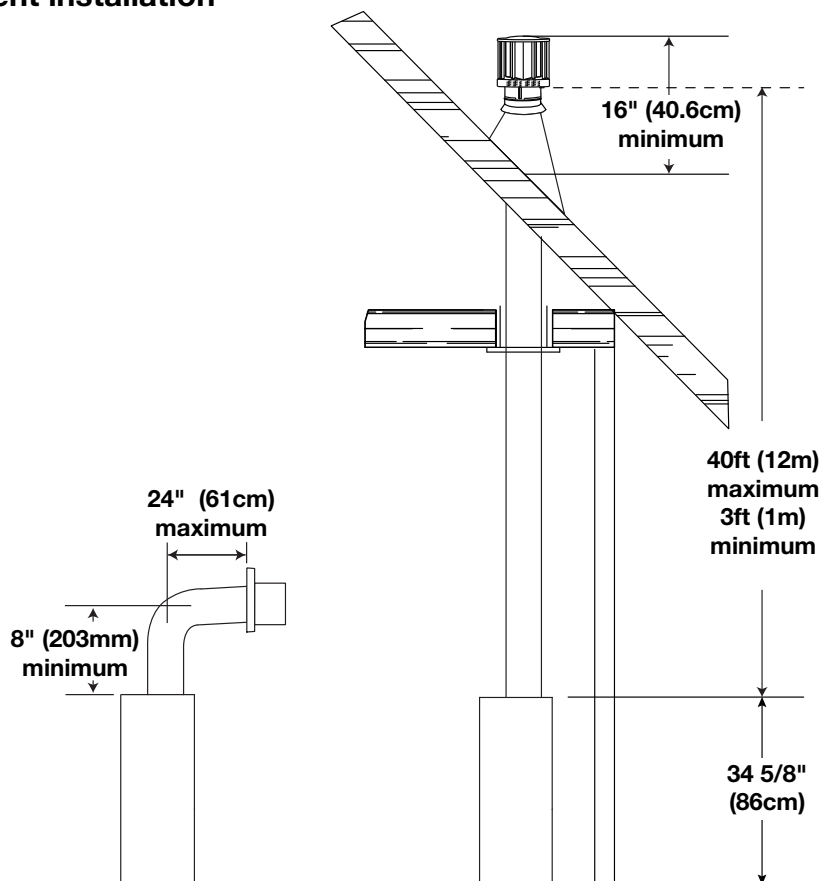
Do not allow the inside liner to bunch up on horizontal or vertical runs and elbows. Keep it pulled tight. A 1/4" (31.8mm) air gap all around between the inner liner and outer liner is required for safe operation.

This appliance is certified for use with a power vent kit. Contact your local authorized dealer for more information.

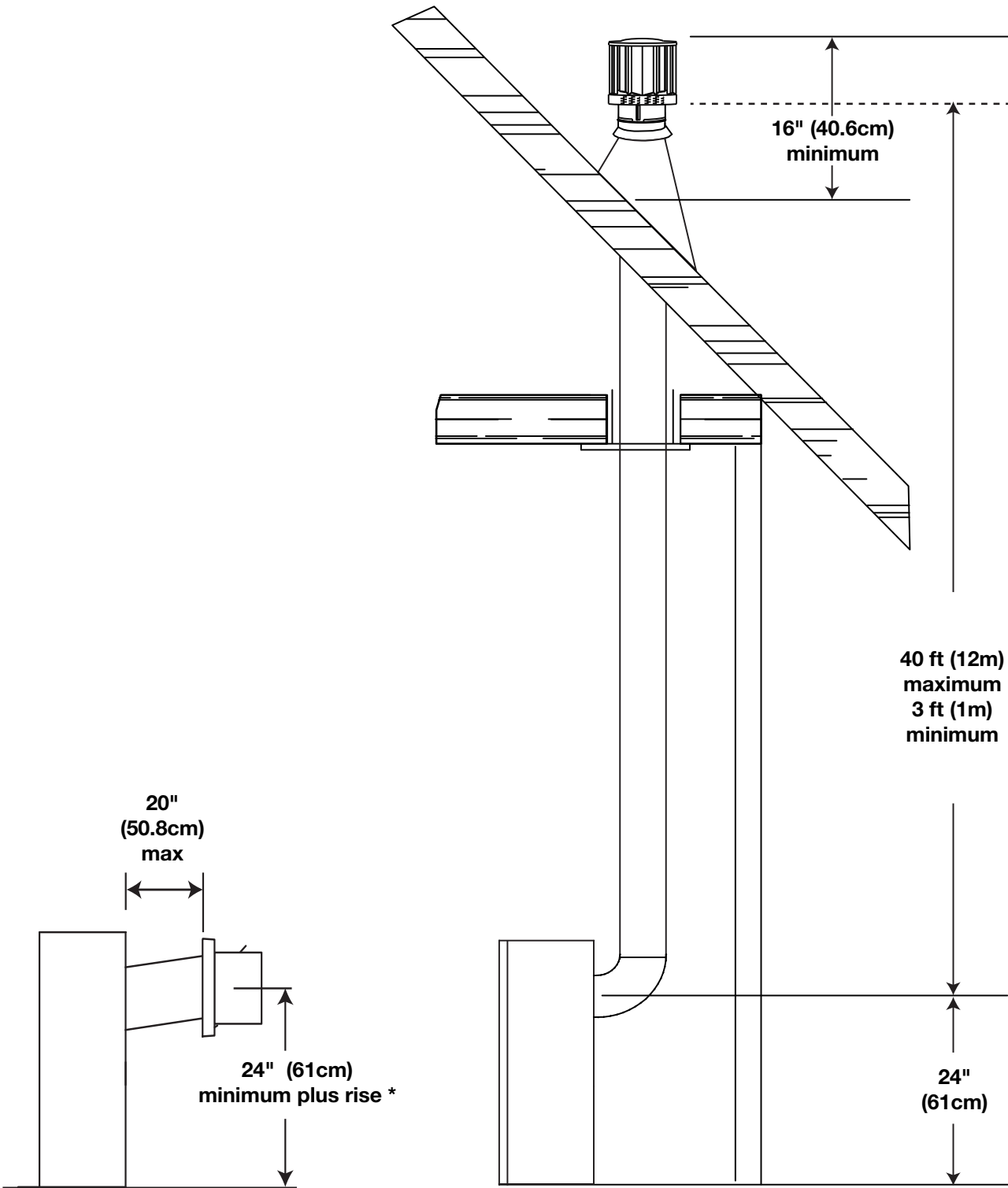
For optimum performance, it is recommended that all horizontal runs have a minimum 1/4" rise per foot or 21mm rise per meter using flexible venting.

| REQUIRED RISE ON HORIZONTAL VENTING |                  |            |
|-------------------------------------|------------------|------------|
| <b>Rear Vent</b>                    | Rigid Venting    | 0" / FT    |
|                                     | Flexible Venting |            |
| <b>Top Vent</b>                     | Rigid Venting    | 0" / FT    |
|                                     | Flexible Venting |            |
| <b>Rear Vent Corner</b>             | Rigid Venting    | 0"         |
|                                     | Flexible Venting | 6" (152mm) |

## 2.1 typical vent installation



**TOP VENT**



**REAR VENT**

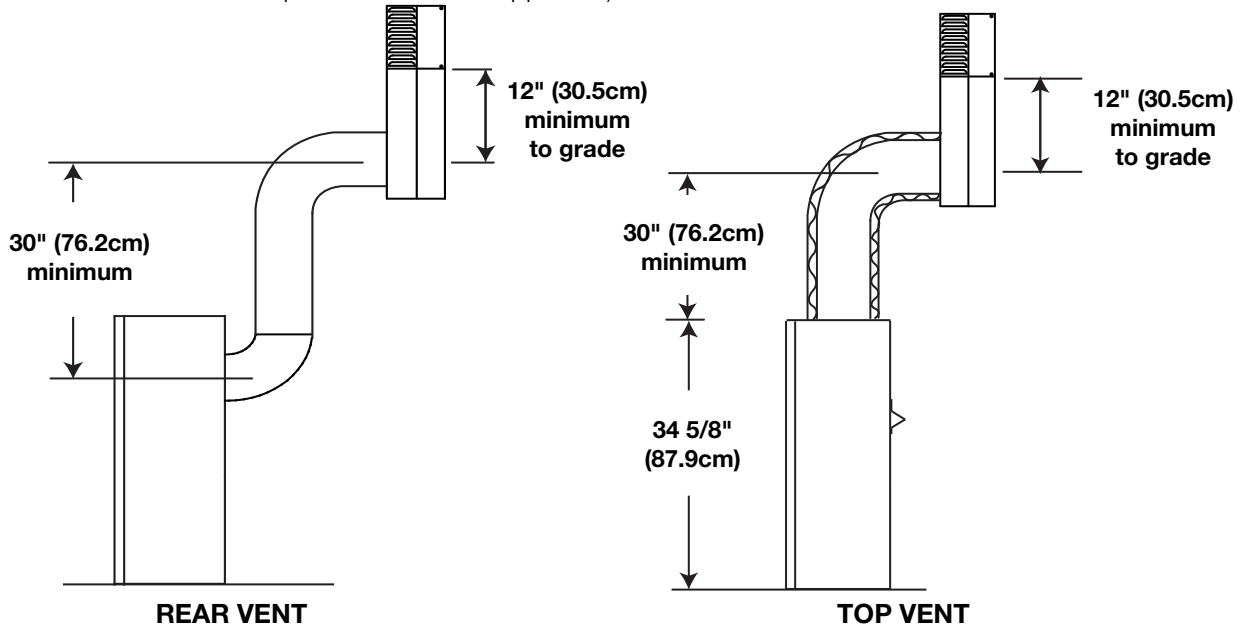
\* See "venting" section

# venting requirements

## 2.2 special vent installations

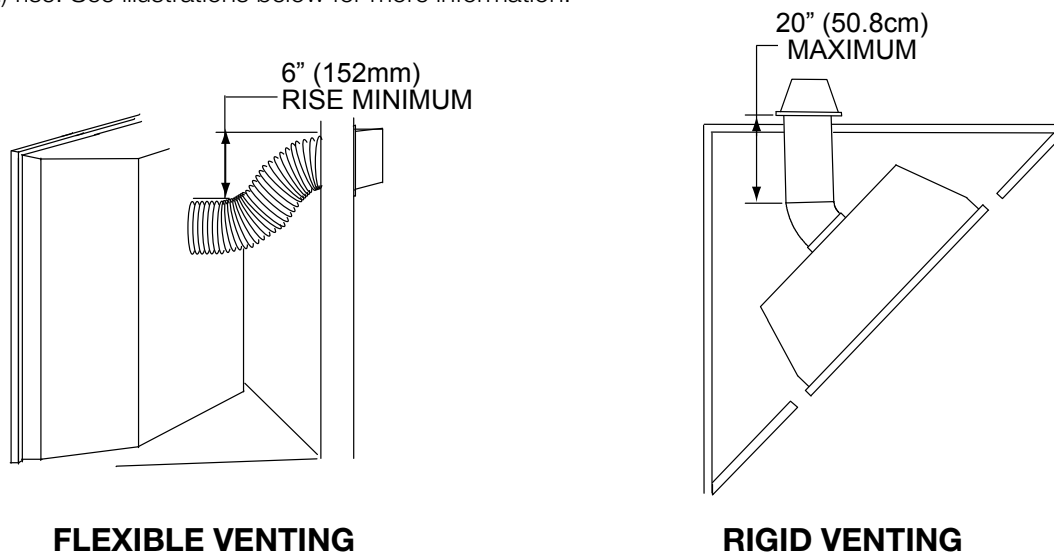
### 2.2.1 periscope termination

Use the periscope kit to locate the air termination above grade. The periscope must be installed so that when final grading is completed, the bottom air slot is located a minimum 12" (305mm) above grade. The maximum allowable vent length (including both rise and run) is 10' (3m) for a fireplace and 8' (2m) for a stove. An insulation sleeve is illustrated in the top vent image below, use only when supplied with the appliance. (The insulation sleeve is not required with a stove appliance)



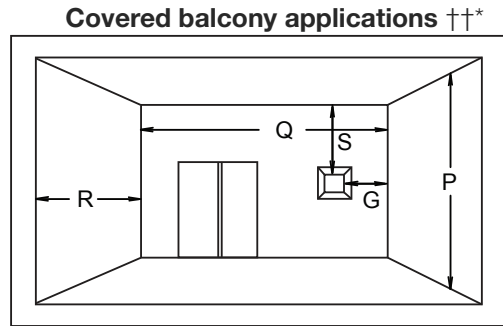
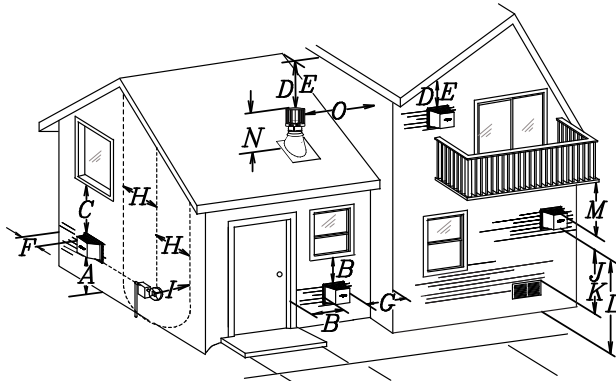
### 2.2.2 corner termination

The maximum vent length for a corner installation is 20" (50.8cm) of horizontal run, in addition to the 45° offset. In this case 0" rise is acceptable when using rigid venting. When using flexible venting, it is required to maintain a 6" (152mm) rise. See illustrations below for more information.



| Required Rise       |                  |            |
|---------------------|------------------|------------|
| Rear Vent<br>Corner | Rigid Venting    | 0"         |
|                     | Flexible Venting | 6" (152mm) |

**2.3 minimum air terminal location clearances**



|                                      |                                 |  |
|--------------------------------------|---------------------------------|--|
| $Q_{MIN} = 3 \text{ feet}$<br>(0.9m) | $R_{MAX} = 2 \times Q_{ACTUAL}$ | $R_{MAX} \leq 15 \text{ feet}$<br>(4.6m) |
|--------------------------------------|---------------------------------|--|

|          | INSTALLATIONS             |                         | note:  |
|----------|---------------------------|-------------------------|--|
|          | CANADA                    | U.S.A.                  |  |
| <b>A</b> | 12" (30.5cm)              | 12" (30.5cm)            | Clearance above grade, veranda porch, deck or balcony.   |
| <b>B</b> | 12" (30.5cm) <sup>Δ</sup> | 9" (229mm) <sup>Δ</sup> | Clearance to windows or doors that open.   |
| <b>C</b> | 12" (30.5cm)*             | 12" (30.5cm)*           | Clearance to permanently closed windows.   |
| <b>D</b> | 18" (45.7cm)**            | 18" (45.7cm)**          | Vertical clearance to ventilated soffits located above the terminal within a horizontal distance of 2' (0.6m) from the center line of the terminal.                |
| <b>E</b> | 12" (30.5cm)**            | 12" (30.5cm)**          | Clearance to unventilated soffit.  |
| <b>F</b> | 0" (0mm)                  | 0" (0mm)                | Clearance to an outside corner wall.   |
| <b>G</b> | 0" (0mm)***               | 0" (0mm)***             | Clearance to an inside <b>non</b> -combustible corner wall or protruding <b>non</b> -combustible obstructions (chimney, etc.).                                     |
|          | 2" (51mm)***              | 2" (51mm)***            | Clearance to an inside combustible corner wall or protruding combustible obstructions (vent chase, etc.).  |
| <b>H</b> | 3'(0.9m)                  | 3'(0.9m)****            | Clearance to each side of the center line extended above the meter / regulator assembly to a maximum vertical distance of 15' (4.6m).                              |
| <b>I</b> | 3' (0.9m)                 | 3' (0.9m)****           | Clearance to a service regulator vent outlet.  |
| <b>J</b> | 12" (30.5cm)              | 9" (229mm)              | Clearance to a non-mechanical air supply inlet to the building or a combustion air inlet to any other appliance.   |
| <b>K</b> | 6' (1.8m)                 | 3' (0.9m) †             | Clearance to a mechanical air supply inlet.  |
| <b>L</b> | 7' (2.1m) ‡               | 7' (2.1m) ****          | Clearance above a paved sidewalk or paved driveway located on public property.   |
| <b>M</b> | 12" (30.5cm)††            | 12" (30.5cm)****        | Clearance under a veranda, porch, deck or overhang.  |
| <b>N</b> | 16" (40.6cm)              | 16" (40.6cm)            | Clearance above the roof.  |
| <b>O</b> | 2' (0.6m)†*               | 2' (0.6m) †*            | Clearance from an adjacent wall including neighbouring buildings.  |
| <b>P</b> | 8' (2.4m)                 | 8' (2.4m)               | Roof must be <b>non</b> -combustible without openings.   |
| <b>Q</b> | 3' (0.9m)                 | 3' (0.9m)               | See chart for wider wall dimensions.   |
| <b>R</b> | 6' (1.8m)                 | 6' (1.8m)               | See chart for deeper wall dimensions. The terminal shall not be installed on any wall that has an opening between the terminal and the open side of the structure. |
| <b>S</b> | 12" (30.5cm)              | 12" (30.5cm)            | Clearance under a covered balcony  |

Δ The terminal shall not be located less than 6 feet under a window that opens on a horizontal plane in a structure with three walls and a roof.

\* Recommended to prevent condensation on windows and thermal breakage

\*\* It is recommended to use a heat shield and to maximize the distance to vinyl clad soffits.

\*\*\* The periscope requires a minimum 18 inches clearance from an inside corner.

\*\*\*\* This is a recommended distance. For additional requirements, check local codes.

† 3 feet above if within 10 feet horizontally.

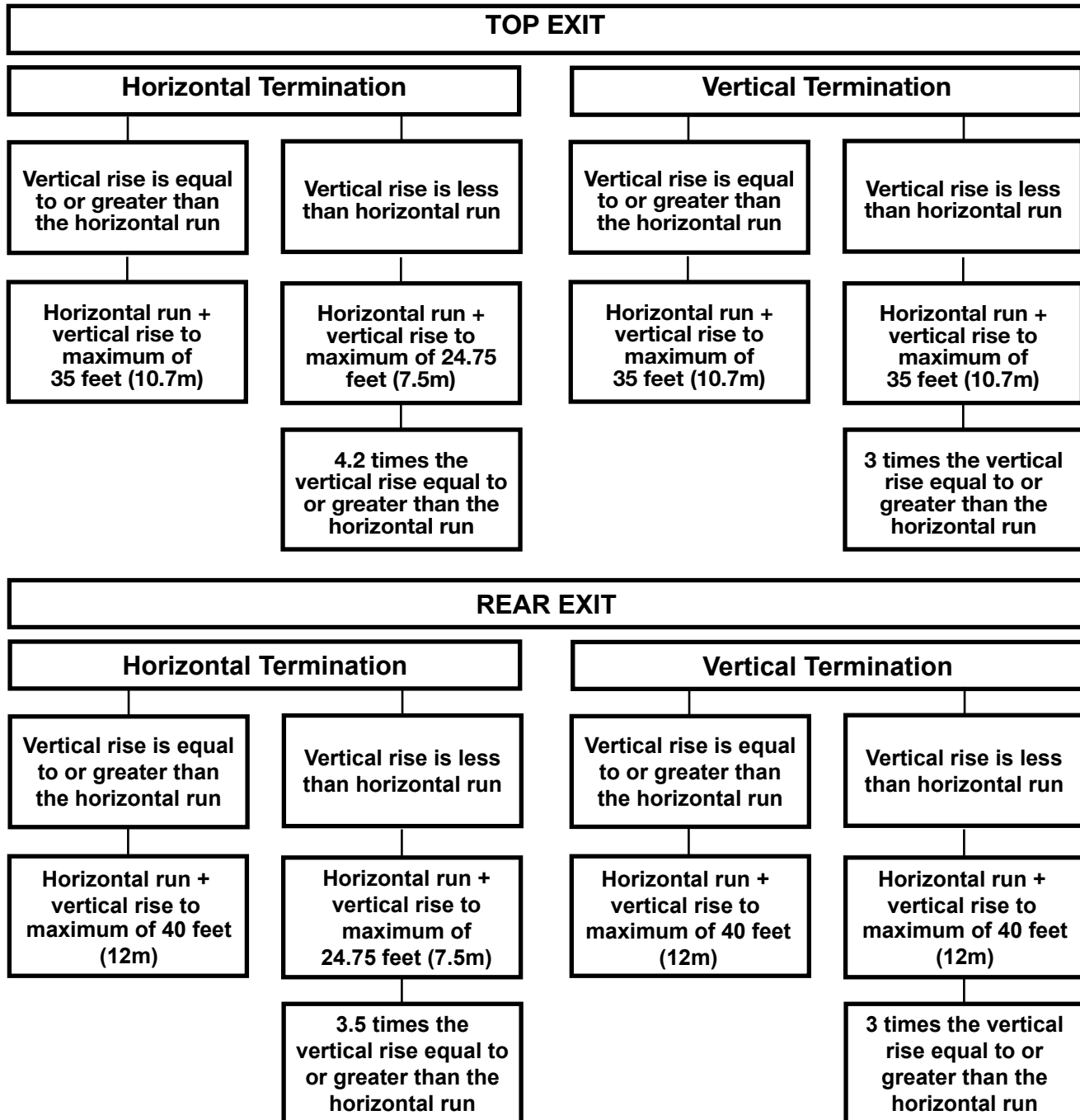
‡ A vent shall not terminate where it may cause hazardous frost or ice accumulations on adjacent property surfaces.

†† Permitted only if the veranda, porch, or deck is fully open on a minimum of two sides beneath the floor.

†\* Recommended to prevent recirculation of exhaust products. For additional requirements, check local codes.

††\* Permitted only if the balcony is fully open on a minimum of one side.

**note:**  
Clearances are to be in accordance with local installation codes and the requirements of the gas supplier. In their absence, clearances are to be as listed above and are based on national codes.



## 2.5 definitions

For the following symbols used in the venting calculations and examples are:

> - greater than

≥ - equal to or greater than

< - less than

≤ - equal to or less than

$H_T$  - total of both horizontal vent lengths ( $H_r$ ) and offsets ( $H_o$ ) in feet

$H_R$  - combined horizontal vent lengths in feet

$H_o$  - offset factor: .03 (total degrees of offset - 90°) in feet

$V_T$  - combined vertical vent lengths in feet



**2.6 elbow vent length values**

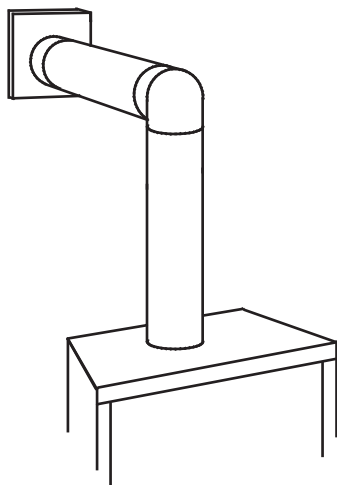
|      | <b>FEET</b> | <b>INCHES</b> | <b>MILLIMETERS</b> |
|------|-------------|---------------|--------------------|
| 1°   | 0.03        | 0.5           | 12.7               |
| 15°  | 0.45        | 6.0           | 152.4              |
| 30°  | 0.9         | 11.0          | 279.4              |
| 45°  | 1.35        | 16.0          | 406.4              |
| 90°* | 2.7         | 32.0          | 812.8              |

\* The first 90° offset has a zero value and is shown in the formula as - 90°

**2.7 top exit horizontal termination**

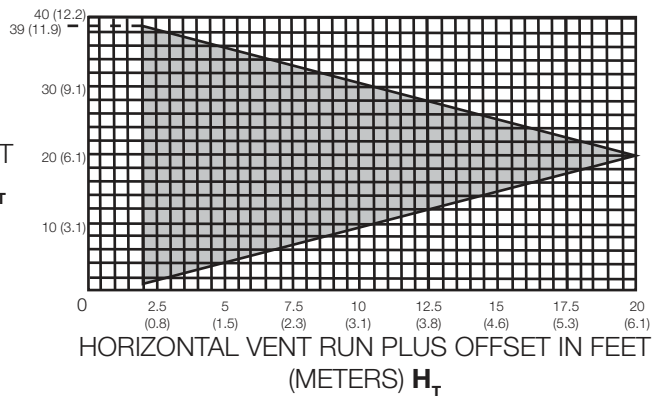
**$(H_T) \leq (V_T)$**

**Simple venting configuration (only one 90° elbow)**



See graph to determine the required vertical rise  $V_T$  for the required horizontal run  $H_T$

REQUIRED VERTICAL RISE IN FEET (METERS)  $V_T$



The shaded area within the lines represents acceptable values for  $H_T$  and  $V_T$

**For vent configurations requiring more than one 90° elbow, the following formulas apply:**

**Formula 1:**  $H_T \leq V_T$

**Formula 2:**  $H_T + V_T \leq 40$  feet (12.2m)

**Example:**

$V_1 = 3$  FT (0.9m)

$V_2 = 8$  FT (2.4m)

$V_T = V_1 + V_2 = 3$  FT (0.9m) + 8 FT (2.4m) = 11 FT (3.4m)

$H_1 = 2.5$  FT (0.8m)

$H_2 = 2$  FT (0.6m)

$H_R = H_1 + H_2 = 2.5$  FT (0.8m) + 2 FT (0.6m) = 4.5 FT (1.4m)

$H_O = .03$  (three 90° elbows - 90°) = .03 (270° - 90°) = 5.4 FT (1.7m)

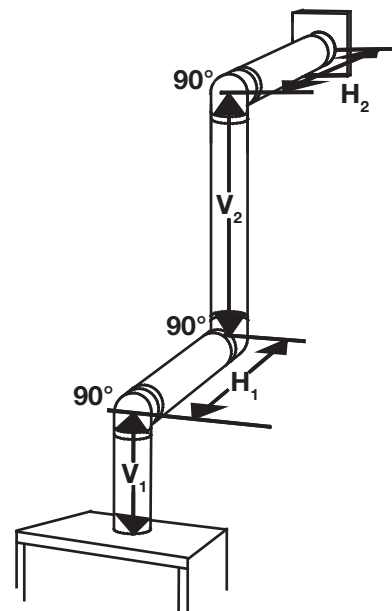
$H_T = H_R + H_O = 4.5$  FT (1.4m) + 5.4 FT (1.6m) = 9.9 FT (3m)

$H_T + V_T = 9.9$  FT (3m) + 11 FT (3.4m) = 20.9 FT (6.4m)

**Formula 1:**  $H_T \leq V_T$   
 9.9 FT (3m)  $\leq$  11 FT (3.4m)

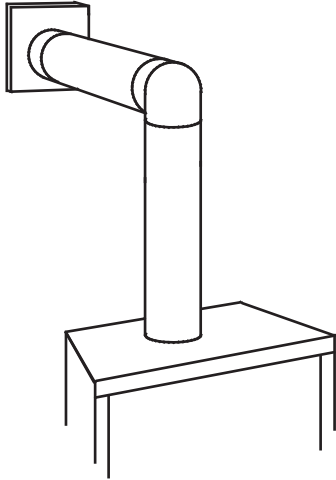
**Formula 2:**  $H_T + V_T \leq 40$  FT (12.2m)  
 20.9 FT (6.4m)  $\leq$  40 FT (12.2m)

Since both formulas are met, this vent configuration is acceptable.



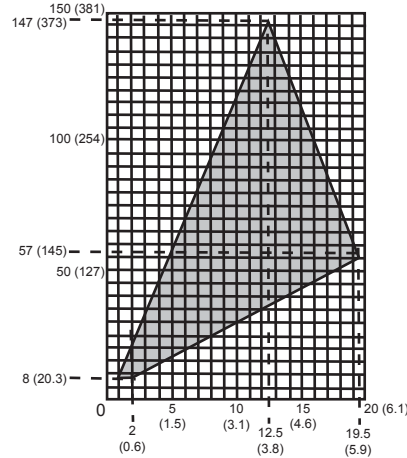
$$(H_T) > (V_T)$$

Simple venting configuration  
(only one 90° elbow)



See graph to determine the required vertical rise  $V_T$  for the required horizontal run  $H_T$ .

REQUIRED  
VERTICAL  
RISE IN INCHES  
(CENTIMETERS)  $V_T$



HORIZONTAL VENT RUN PLUS OFFSET IN FEET (METERS)  $H_T$   
The shaded area within the lines represents acceptable values for  $H_T$  and  $V_T$

For vent configurations requiring more than one 90° elbow, the following formulas apply:

Formula 1:  $H_T \leq 4.2 V_T$

Formula 2:  $H_T + V_T \leq 24.75$  feet (7.5m)

Example:

$$V_1 = V_T = 6 \text{ FT (1.8m)}$$

$$H_1 = 3 \text{ FT (0.9m)}$$

$$H_2 = 5 \text{ FT (1.5m)}$$

$$H_R = H_1 + H_2 = 3 \text{ FT (0.9m)} + 5 \text{ FT (1.5m)} = 8 \text{ FT (2.4m)}$$

$$H_O = .03 \text{ (two } 90^\circ \text{ elbows} - 90^\circ) = .03 \text{ (} 180^\circ - 90^\circ) = 2.7 \text{ FT (0.8m)}$$

$$H_T = H_R + H_O = 8 \text{ FT (2.4m)} + 2.7 \text{ FT (0.8m)} = 10.7 \text{ FT (3.3m)}$$

$$H_T + V_T = 10.7 \text{ FT (3.3m)} + 6 \text{ FT (1.8m)} = 16.7 \text{ FT (5.1m)}$$

Formula 1:  $H_T \leq 4.2 V_T$

$$4.2 V_T = 4.2 \text{ FT (1.3m)} \times 6 \text{ FT (1.8m)} = 25.2 \text{ FT (7.7m)}$$

Formula 2:  $H_T + V_T \leq 24.75 \text{ FT (7.5m)}$

$$16.7 \text{ FT (5.1m)} \leq 24.75 \text{ FT (7.5m)}$$

Since both formulas are met, this vent configuration is acceptable.

Example:

$$V_1 = 4 \text{ FT (1.2m)}$$

$$V_2 = 1.5 \text{ FT (0.5m)}$$

$$V_T = V_1 + V_2 = 4 \text{ FT (1.2m)} + 1.5 \text{ FT (0.5m)} = 5.5 \text{ FT (1.7m)}$$

$$H_1 = 2 \text{ FT (0.6m)}$$

$$H_2 = 1 \text{ FT (0.3m)}$$

$$H_3 = 1 \text{ FT (0.3m)}$$

$$H_4 = 1.5 \text{ FT (0.5m)}$$

$$H_R = H_1 + H_2 + H_3 + H_4 = 2 \text{ FT (0.6m)} + 1 \text{ FT (0.3m)} + 1 \text{ FT (0.3m)} + 1.5 \text{ FT (0.5m)} = 5.5 \text{ FT (1.7m)}$$

$$H_O = .03 \text{ (four } 90^\circ \text{ elbows} - 90^\circ) = .03 \text{ (} 360^\circ - 90^\circ) = 8.1 \text{ FT (2.5m)}$$

$$H_T = H_R + H_O = 5.5 \text{ FT (1.7m)} + 8.1 \text{ FT (2.5m)} = 13.6 \text{ FT (4.2m)}$$

$$H_T + V_T = 13.6 \text{ FT (4.2m)} + 5.5 \text{ FT (1.7m)} = 19.1 \text{ FT (5.8m)}$$

Formula 1:  $H_T \leq 4.2 V_T$

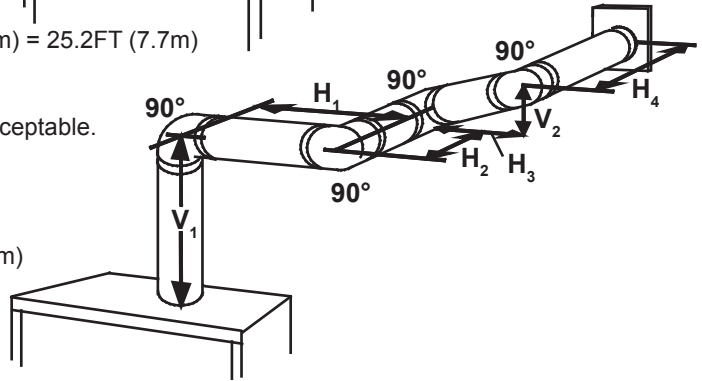
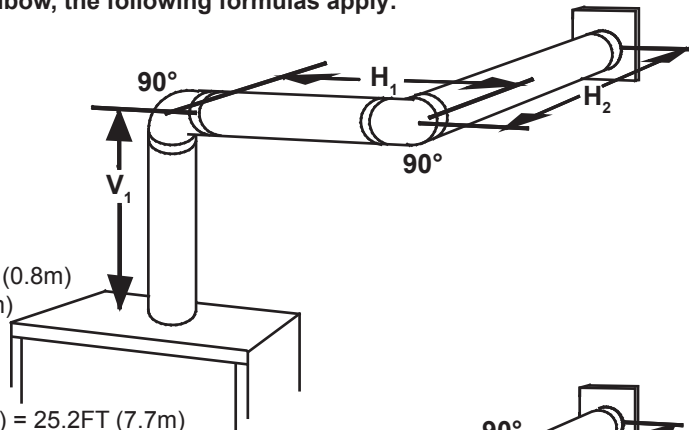
$$4.2 V_T = 4.2 \text{ FT (1.3m)} \times 5.5 \text{ FT (1.7m)} = 23.1 \text{ FT (7m)}$$

$$13.6 \text{ FT (4.2m)} \leq 23.1 \text{ FT (7m)}$$

Formula 2:  $H_T + V_T \leq 24.75 \text{ FT (7.5m)}$

$$19.1 \text{ FT (5.8m)} \leq 24.75 \text{ FT (7.5m)}$$

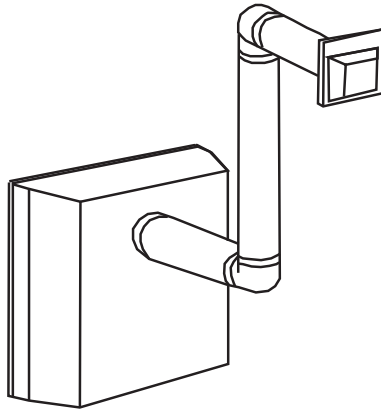
Since both formulas are met, this vent configuration is acceptable.



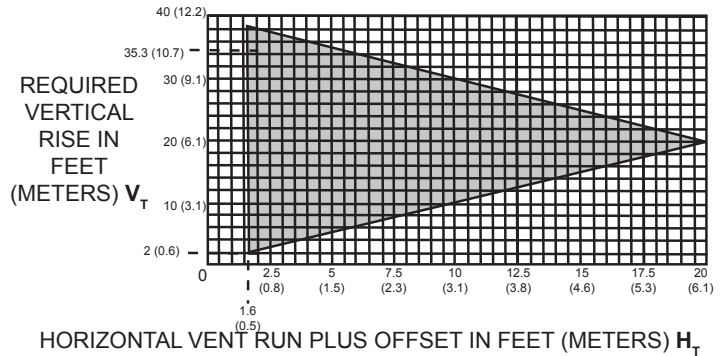
**2.8 rear exit horizontal termination**

**$(H_T) \leq (V_T)$**

**Simple venting configuration  
(only two 90° elbows)**



See graph to determine the required vertical rise  $V_T$  for the required horizontal run  $H_T$ .



The shaded area within the lines represents acceptable values for  $H_T$  and  $V_T$

For vent configurations requiring more than two 90° elbows, the following formulas apply:

**Formula 1:**  $H_T \leq V_T$

**Formula 2:**  $H_T + V_T \leq 40 \text{ feet (12.2m)}$

**Example:**

$V_1 = 9 \text{ FT (2.7m)}$

$V_2 = 6 \text{ FT (1.8m)}$

$V_T = V_1 + V_2 = 9\text{FT (2.7m)} + 6\text{FT (1.8m)} = 15\text{FT (4.6m)}$

$H_1 = 3 \text{ FT (0.9m)}$

$H_2 = 2 \text{ FT (0.6m)}$

$H_3 = 1.5 \text{ FT (0.5m)}$

$H_R = H_1 + H_2 + H_3 = 3\text{FT (0.9m)} + 2\text{FT (0.6m)} + 1.5\text{FT (0.5m)} = 6.5\text{FT (2m)}$

$H_o = .03 \text{ (four } 90^\circ \text{ elbows} - 90^\circ) = .03 \text{ (} 360^\circ - 90^\circ) = 8.1 \text{ FT (2.5m)}$

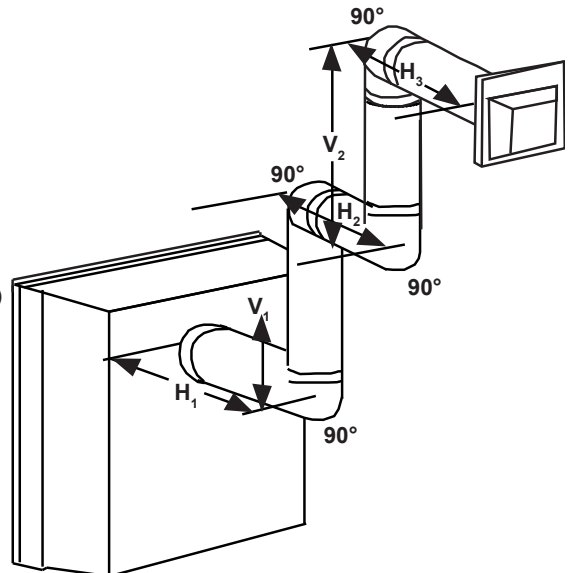
$H_T = H_R + H_o = 6.5\text{FT (2m)} + 8.1\text{FT (2.5m)} = 14.6\text{FT (4.5m)}$

$H_T + V_T = 14.6\text{FT (4.5m)} + 15\text{FT (4.6m)} = 29.6 \text{ FT (9m)}$

**Formula 1:**  $H_T \leq V_T$   
 $14.6 \text{ FT (4.5m)} \leq 15 \text{ FT (4.6m)}$

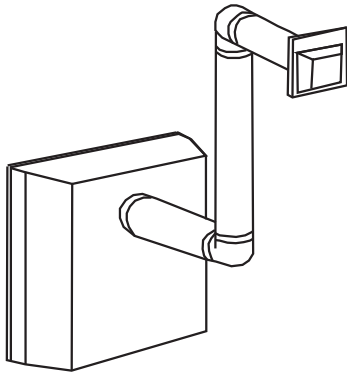
**Formula 2:**  $H_T + V_T \leq 40 \text{ FT (12.2m)}$   
 $29.6 \text{ FT (9m)} \leq 40 \text{ FT (12.2m)}$

Since both formulas are met, this vent configuration is acceptable.



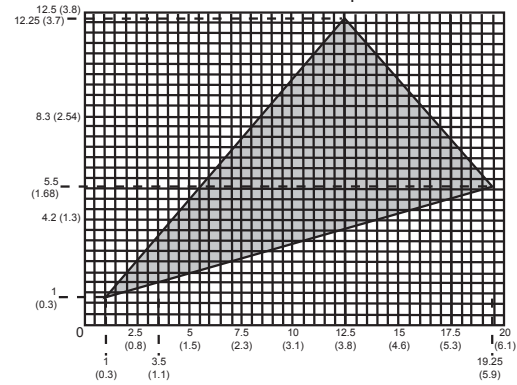
$$(H_T) > (V_T)$$

Simple venting configuration  
(only two 90° elbows)



See graph to determine the required vertical rise  $V_T$  for the required horizontal run  $H_T$ .

REQUIRED  
VERTICAL RISE IN  
FEET  
(METERS)  $V_T$



HORIZONTAL VENT RUN PLUS OFFSET IN FEET (METERS)  $H_T$   
The shaded area within the lines represents acceptable values for  $H_T$  and  $V_T$

For vent configurations requiring more than two 90° elbows, the following formulas apply:

Formula 1:  $H_T \leq 3.5V_T$

Formula 2:  $H_T + V_T \leq 24.75$  feet (7.5m)

Example:

$$V_1 = 4 \text{ FT (1.2m)}$$

$$V_2 = 1.5 \text{ FT (0.5m)}$$

$$V_T = V_1 + V_2 = 4\text{FT (1.2m)} + 1.5\text{FT (0.5m)} = 5.5 \text{ FT (1.7m)}$$

$$H_1 = 2 \text{ FT (0.6m)}$$

$$H_2 = 1 \text{ FT (0.3m)}$$

$$H_3 = 1 \text{ FT (0.3m)}$$

$$H_4 = 1.5 \text{ FT (0.5m)}$$

$$H_R = H_1 + H_2 + H_3 + H_4 = 2\text{FT(0.6m)} + 1\text{FT(0.3m)} + 1\text{FT(0.3m)} + 1.5\text{FT(0.5m)} = 5.5 \text{ FT(1.7m)}$$

$$H_O = .03 \text{ (four } 90^\circ \text{ elbows + one } 45^\circ \text{ elbow - } 90^\circ)$$

$$= .03 (90 + 90 + 90 + 90 + 45 - 90) = 9.45 \text{ FT (2.9m)}$$

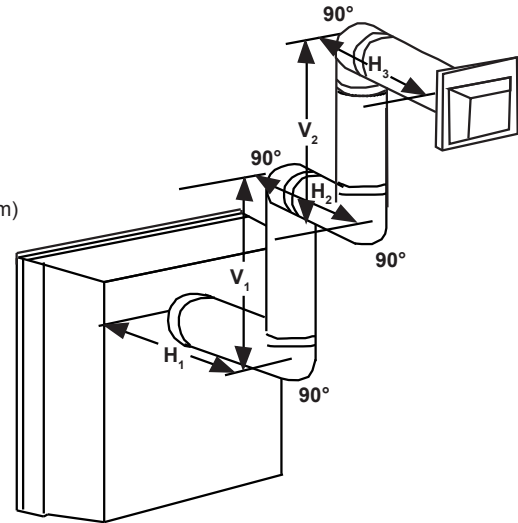
$$H_T = H_R + H_O = 5.5\text{FT (1.7m)} + 9.45\text{FT (2.9m)} = 14.95\text{FT (4.6m)}$$

$$H_T + V_T = 14.95\text{FT (4.6m)} + 5.5\text{FT (1.7m)} = 20.45\text{FT (6.2m)}$$

Formula 1:  $H_T \leq 3.5V_T$   
 $3.5V_T = 3.5\text{FT (1.1m)} \times 5.5\text{FT (1.7m)} = 19.25\text{FT (5.9m)}$   
 $14.95 \text{ FT (4.6m)} \leq 19.25 \text{ FT (5.9m)}$

Formula 2:  $H_T + V_T \leq 24.75 \text{ FT (7.5m)}$   
 $20.45 \text{ FT (6.2m)} \leq 24.75 \text{ FT (7.5m)}$

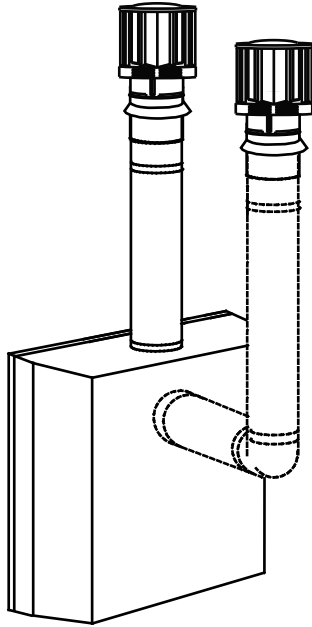
Since both formulas are met, this vent configuration is acceptable.



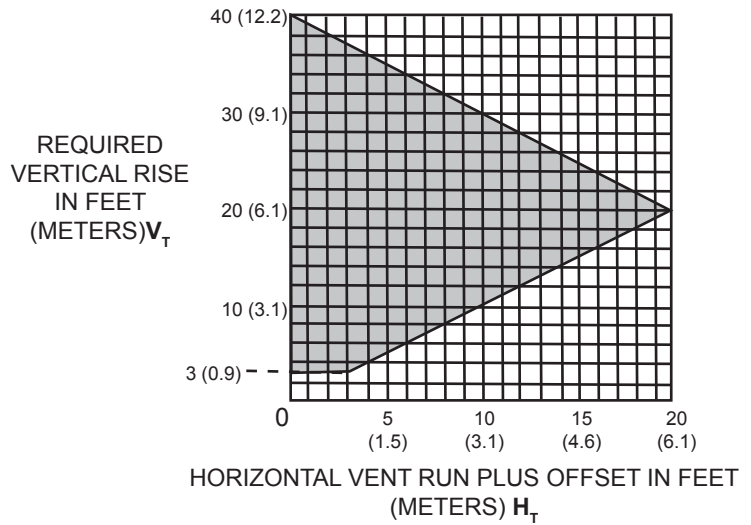
2.9 top and rear exit vertical termination

$(H_T) \leq (V_T)$

Simple venting configurations.



See graph to determine the required vertical rise  $V_T$  for the required horizontal run  $H_T$ .



The shaded area within the lines represents acceptable values for  $H_T$  and  $V_T$

For vent configurations requiring one or more 90° elbows (top exit) or one or more 90° elbows (rear exit), the following formulas apply:

Formula 1:  $H_T \leq V_T$

Formula 2:  $H_T + V_T \leq 40 \text{ feet (12.2m)}$

Example:

$V_1 = 5 \text{ FT (1.5m)}$

$V_2 = 6 \text{ FT (1.8m)}$

$V_3 = 10 \text{ FT (3.1m)}$

$V_T = V_1 + V_2 + V_3 = 5\text{FT (1.5m)} + 6\text{FT (1.8m)} + 10\text{FT (3.1m)} = 21 \text{ FT (6.4m)}$

$H_1 = 8 \text{ FT (2.4m)}$

$H_2 = 2.5 \text{ FT (0.8m)}$

$H_R = H_1 + H_2 = 8\text{FT (2.4m)} + 2.5\text{FT (0.8m)} = 10.5\text{FT (3.2m)}$

$H_O = .03 \text{ (four } 90^\circ \text{ elbows - } 90^\circ)$

$= .03 \text{ (} 360^\circ - 90^\circ) = 8.1 \text{ FT (2.5m)}$

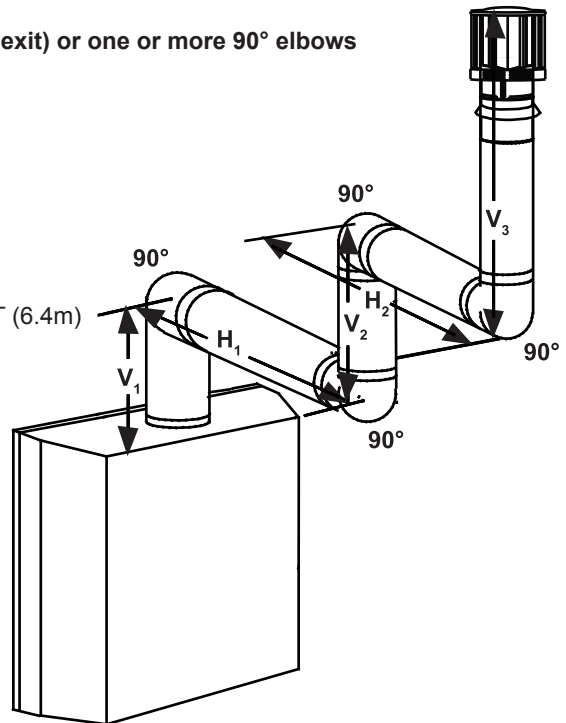
$H_T = H_R + H_O = 10.5\text{FT (3.2m)} + 8.1\text{FT (2.5m)} = 18.6\text{FT (5.7m)}$

$H_T + V_T = 18.6\text{FT (5.7m)} + 21\text{FT (6.4m)} = 39.6\text{FT (12.1m)}$

Formula 1:  $H_T \leq 3.5V_T$   
 $18.6 \text{ FT (5.7m)} \leq 21 \text{ FT (6.4m)}$

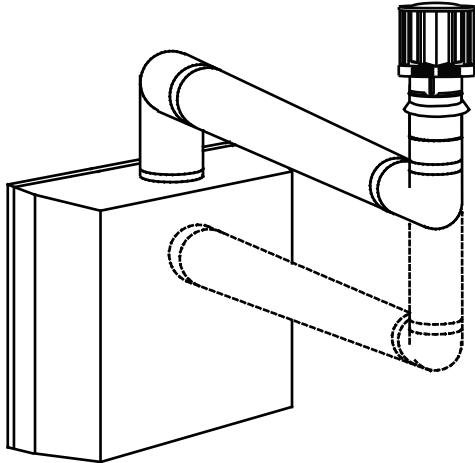
Formula 2:  $H_T + V_T \leq 40 \text{ FT (12.2m)}$   
 $39.6\text{FT (12.1m)} \leq 40 \text{ FT (12.2m)}$

Since both formulas are met, this vent configuration is acceptable.

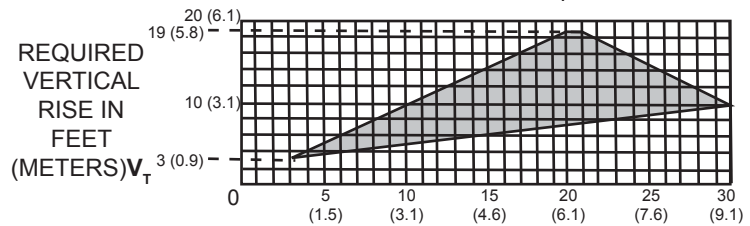


$$(H_T) > (V_T)$$

Simple venting configurations.



See graph to determine the required vertical rise  $V_T$  for the required horizontal run  $H_T$ .



HORIZONTAL VENT RUN PLUS OFFSET IN FEET (METERS)  $H_T$

The shaded area within the lines represents acceptable values for  $H_T$  and  $V_T$

For vent configurations requiring more than two 90° elbows (top exit) or one 90° elbow (rear exit), the following formulas apply:

**Formula 1:**  $H_T \leq 3 V_T$

**Formula 2:**  $H_T + V_T \leq 40 \text{ feet (12.2m)}$

**Example:**

$V_1 = 2 \text{ FT (0.6m)}$

$V_2 = 1 \text{ FT (0.3m)}$

$V_3 = 1.5 \text{ FT (0.5m)}$

$V_T = V_1 + V_2 + V_3 = 2\text{FT (0.6m)} + 1\text{FT (0.3m)} + 1.5\text{FT (0.5m)} = 4.5 \text{ FT (1.4m)}$

$H_1 = 6 \text{ FT (1.8m)}$

$H_2 = 2 \text{ FT (0.6m)}$

$H_R = H_1 + H_2 = 6\text{FT (1.8m)} + 2\text{FT (0.6m)} = 8 \text{ FT (2.4m)}$

$H_o = .03 \text{ (four } 90^\circ \text{ elbows} - 90^\circ)$

$= .03 \text{ (} 360^\circ - 90^\circ) = 8.1 \text{ FT (2.5m)}$

$H_T = H_R + H_o = 8\text{FT (2.4m)} + 8.1\text{FT (2.5m)} = 16.1\text{FT (4.9m)}$

$H_T + V_T = 16.1\text{FT (4.9m)} + 4.5\text{FT (1.4m)} = 20.6\text{FT (6.3m)}$

**Formula 1:**  $H_T \leq 3.5 V_T$

$3.5 V_T = 3(0.9\text{m}) \times 4.5\text{FT (1.4m)} = 13.5 \text{ FT (4.1m)}$

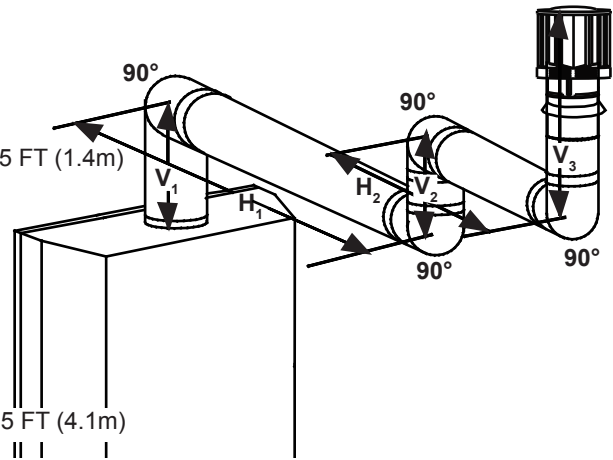
$16.1\text{FT (4.9m)} \leq 13.5 \text{ FT (4.1m)}$

Since this formula is not met, this vent configuration is **unacceptable**.

**Formula 2:**  $H_T + V_T \leq 40 \text{ FT (12.2m)}$

$16.1\text{FT (4.9m)} \leq 13.5 \text{ FT (4.1m)}$

Since only formula 2 is met, this vent configuration is unacceptable and a new fireplace location or vent configuration will need to be established to satisfy both formulas.



Example:

$$V_1 = 1.5 \text{ FT (0.5m)}$$

$$V_2 = 5 \text{ FT (1.5m)}$$

$$V_T = V_1 + V_2 = 1.5\text{FT (0.5m)} + 5\text{FT (1.5m)} = 6.5 \text{ FT (2m)}$$

$$H_1 = 1 \text{ FT (0.3m)}$$

$$H_2 = 1 \text{ FT (0.3m)}$$

$$H_3 = 10.75 \text{ FT (3.3m)}$$

$$H_R = H_1 + H_2 + H_3 = 1\text{FT (0.3m)} + 1\text{FT (0.3m)} + 10.75\text{FT (3.3m)} = 12.75\text{FT (3.9m)}$$

$$H_O = .03 \text{ (three } 90^\circ \text{ elbows + one } 45^\circ \text{ elbow - } 90^\circ)$$

$$= .03 (270^\circ + 45^\circ - 90^\circ) = 6.75 \text{ FT (2.1m)}$$

$$H_T = H_R + H_O = 12.75\text{FT (3.9m)} + 6.75\text{FT (2.1m)} = 19.5 \text{ FT (5.9m)}$$

$$H_T + V_T = 19.5\text{FT (5.9m)} + 6.5\text{FT (2m)} = 26 \text{ FT (7.9m)}$$

Formula 1:

$$H_T \leq 3 V_T$$

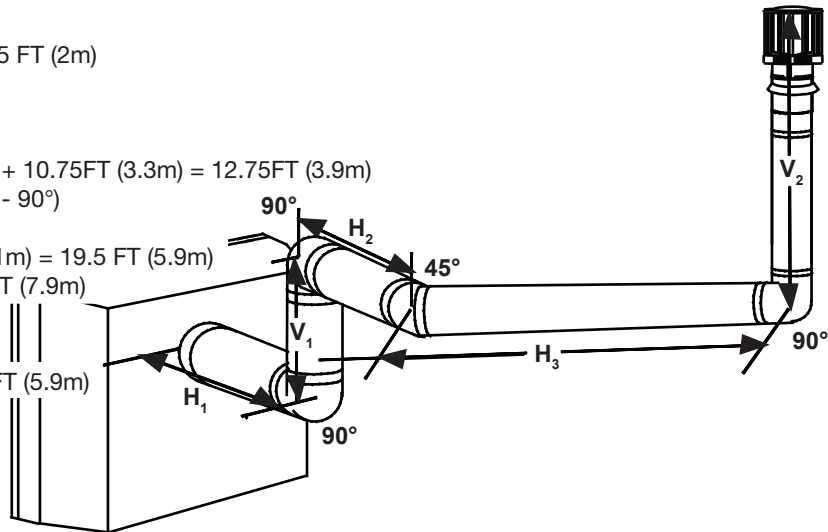
$$3 V_T = 3\text{FT (0.9m)} \times 6.5\text{FT (2m)} = 19.5\text{FT (5.9m)}$$

$$19.5\text{FT (5.9m)} = 19.5\text{FT (5.9m)}$$

Formula 2:

$$H_T + V_T \leq 40 \text{ FT (12.2m)}$$

$$26 \text{ FT (7.9m)} \leq 40 \text{ FT (12.2m)}$$



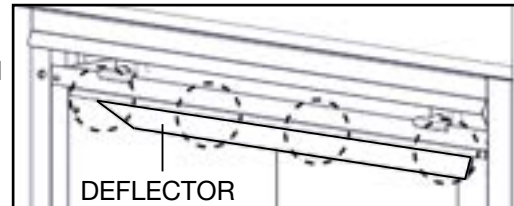
Since both formulas are met, this vent configuration is acceptable.

## 2.10 rear exit

### **WARNING**

- Failure to create a seal to the firebox with the exhaust collar assembly will cause the appliance to function improperly and can cause injury or property damage.

- Remove the safety barrier and glass front (see "safety barrier & door removal/installation" section).
- Remove the contents from the firebox and set aside. You will need the exhaust flue collar from the top of the log carton.
- To ease assembly, remove the four hex head screws securing the deflector from inside the top front of the firebox (**Fig. 1**).



**Fig. 1**

- Place the gasket (provided) over the 4" (102mm) flue collar assembly and bend along perforation.
- From inside the firebox, insert the 4" (102mm) flue collar through the back of the firebox. Install the rear exit shield onto the 4" (102mm) flue collar (see "rear exit shield" section).
- Secure the flue collar assembly, gasket and rear exit shield using the four hex head 3/8" thread cutting screws (**Fig. 2**).

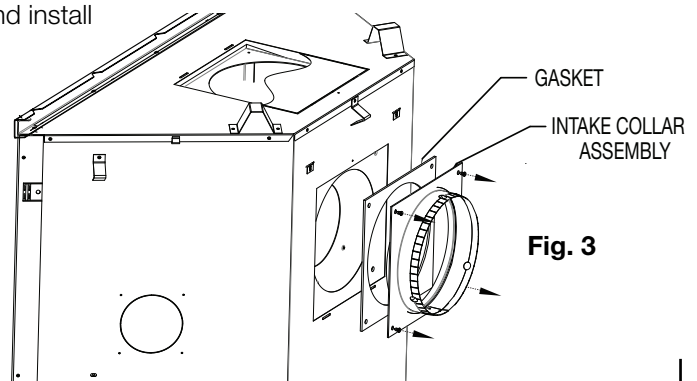


**Fig. 2**

**note:**

Do not overtighten. The gasket needs only to be snug against the firebox.

- Reattach the deflector using the four screws and install the log set, glass door and safety barrier.
- Install the 7" (177mm) collar assembly, complete with gasket, onto the rear panel around the 4" (102mm) collar with the screws provided (**Fig. 3**).

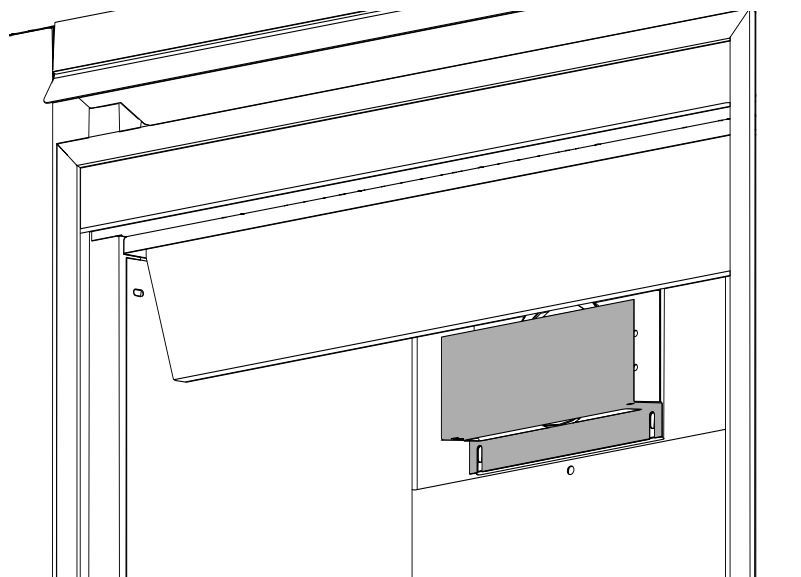


**Fig. 3**

## venting requirements

### 2.11 rear exit shield (for rear vent only)

- A. Remove the safety barrier assembly and door from the appliance (see “safety barrier & door removal / installation” section).
- B. Loosen the two screws that secure the exhaust plate, and slide the shield in place by sliding its slotted openings behind the screwheads. Tighten the two previously loosened screws (**Fig. 1**).
- C. Reinstall the door and safety barrier assembly on the appliance (see “safety barrier & door removal / installation” section).



**Fig. 1**

**note:**

This shield is used to block the view through the venting to the outdoors.



2.12 top exit

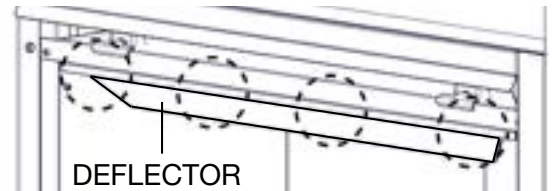
**! WARNING**

- Failure to install the cover plate and gasket will cause the appliance to function improperly and can cause injury or property damage.

- A. Remove the safety barrier and glass door (see "safety barrier & door removal/installation" section).
- B. Remove the contents from the firebox and set aside.

You will need the exhaust and air inlet collar.

- C. To ease assembly, remove the 4 hex head screws, securing the deflector from inside the top front of the firebox (**Fig. 1**).



**Fig. 1**

- D. Remove the outer cover plate and gasket by removing the 4 screws. Install the outer cover plate and gasket onto the back of the appliance using the 4 previously removed screws (**Fig. 2**).
- E. Remove the 1 1/2" (38.1mm) thick batt of insulation and **discard** (**Fig. 2**).
- F. Place the 7" (177.8mm) intake collar and gasket onto the top of the appliance and secure using 4 screws.

**tip:**

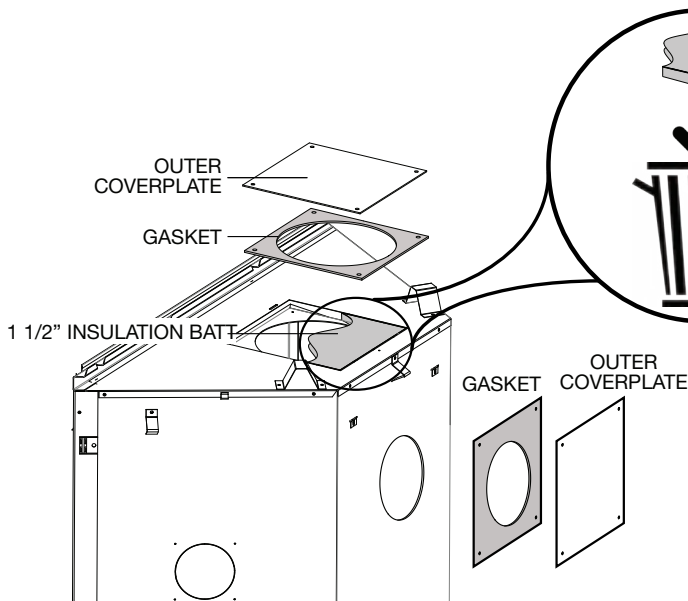
The screws are packaged in a separate baggie from the manual baggie.

- G. From inside the firebox, install the 4" (101.6mm) exhaust collar with gasket up through the top of the firebox, and secure with the the 4 hex head 3/4" black screws supplied in the manual baggie (**Fig. 3**).

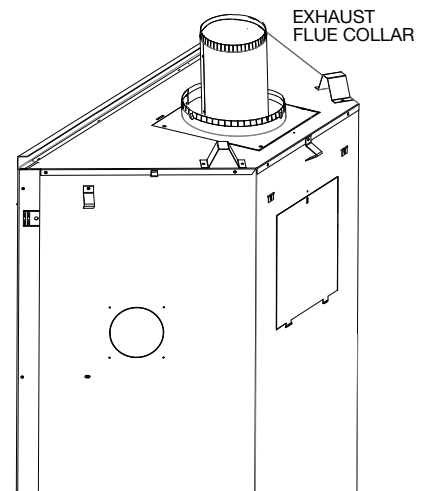
**note:**

Do not overtighten. The gasket needs only to be snug against the firebox.

- H. Reinstall the deflector, glass door, and safety barrier.



**Fig. 2**



**Fig. 3**

## 3.0 rough framing

**note:**

When using optional finishing accessories, the framing dimensions and finishing materials may differ from what is outlined in the section below; refer to the leaflet instructions supplied in the accessory kit for specific framing and finishing specifications.

### **WARNING**

- Risk of fire!
- In order to avoid the possibility of exposed insulation or vapour barrier coming in contact with the appliance body, it is recommended that the walls of the appliance enclosure be “finished” (i.e. drywall / sheetrock), as you would finish any other outside wall of a home. This will ensure that clearance to combustibles is maintained within the cavity.
- Do not notch the framing around the appliance stand offs. Failure to maintain air space clearance may cause over heating and fire. Prevent contact with sagging or loose insulation or framing and other combustible materials. Block opening into the chase to prevent entry of blown-in insulation. Make sure insulation and other materials are secured.
- When constructing the enclosure, allow for finishing material thickness to maintain clearances. Framing or finishing material closer than the minimums listed must be constructed entirely of non-combustible materials. Materials consisting entirely of steel, iron, brick, tile, concrete, slate, glass or plasters, or any combination thereof are suitable. Materials that are reported as passing ASTM E136, standard test method for behaviour of materials in a vertical tube furnace at 1382°F (750°C) and UL763 shall be considered non-combustible materials.
- Minimum clearance to combustibles must be maintained or a serious fire hazard could result.
- The appliance requires a minimum enclosure height. Measure from the appliance base.
- If steel stud framing kits with cement board are provided, or specified in the installation instructions, they must be installed.
- If specified in the installation instruction, finishing must be done using a non-combustible board, ceramic tile, marble, etc. Do **NOT** use wood or drywall. Any fire rated drywall is **not** acceptable.

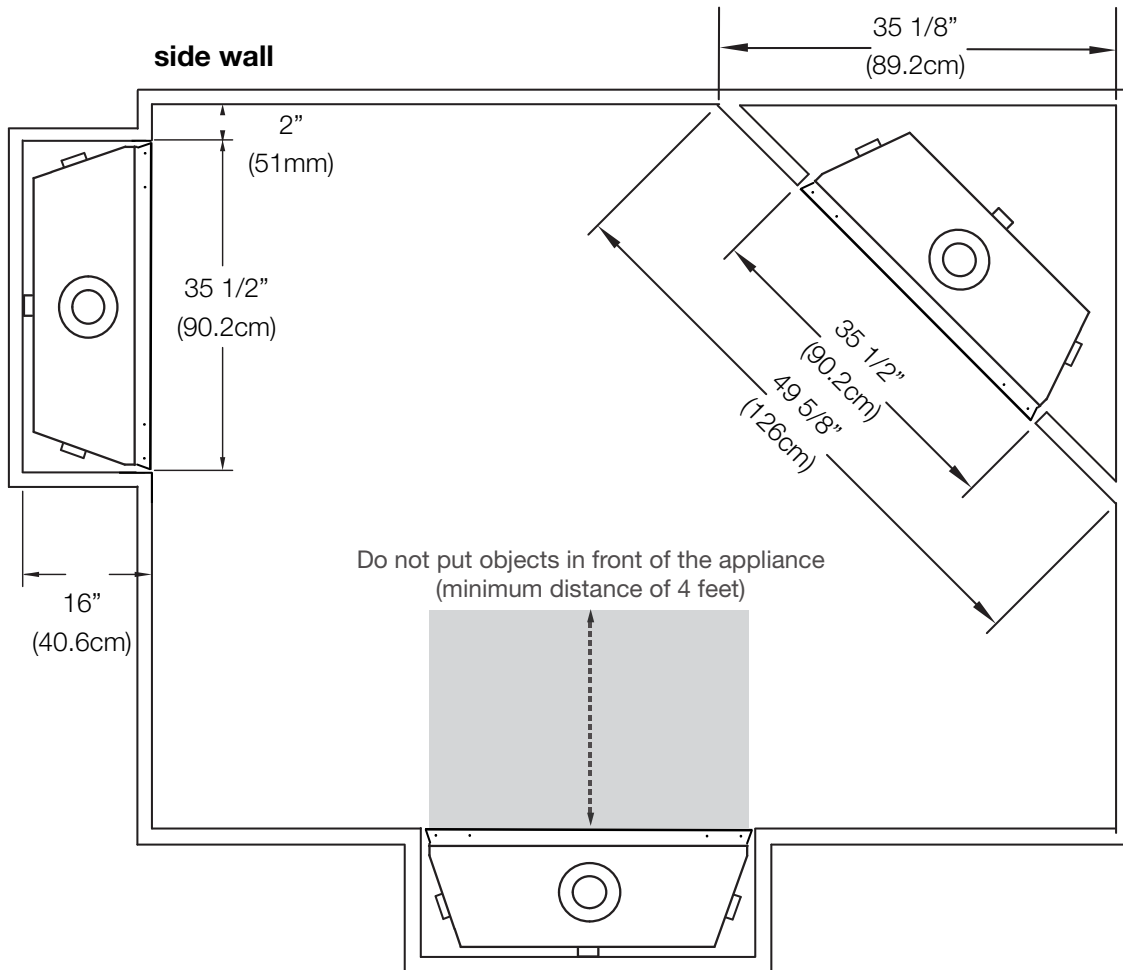
### 3.1 minimum framing dimensions

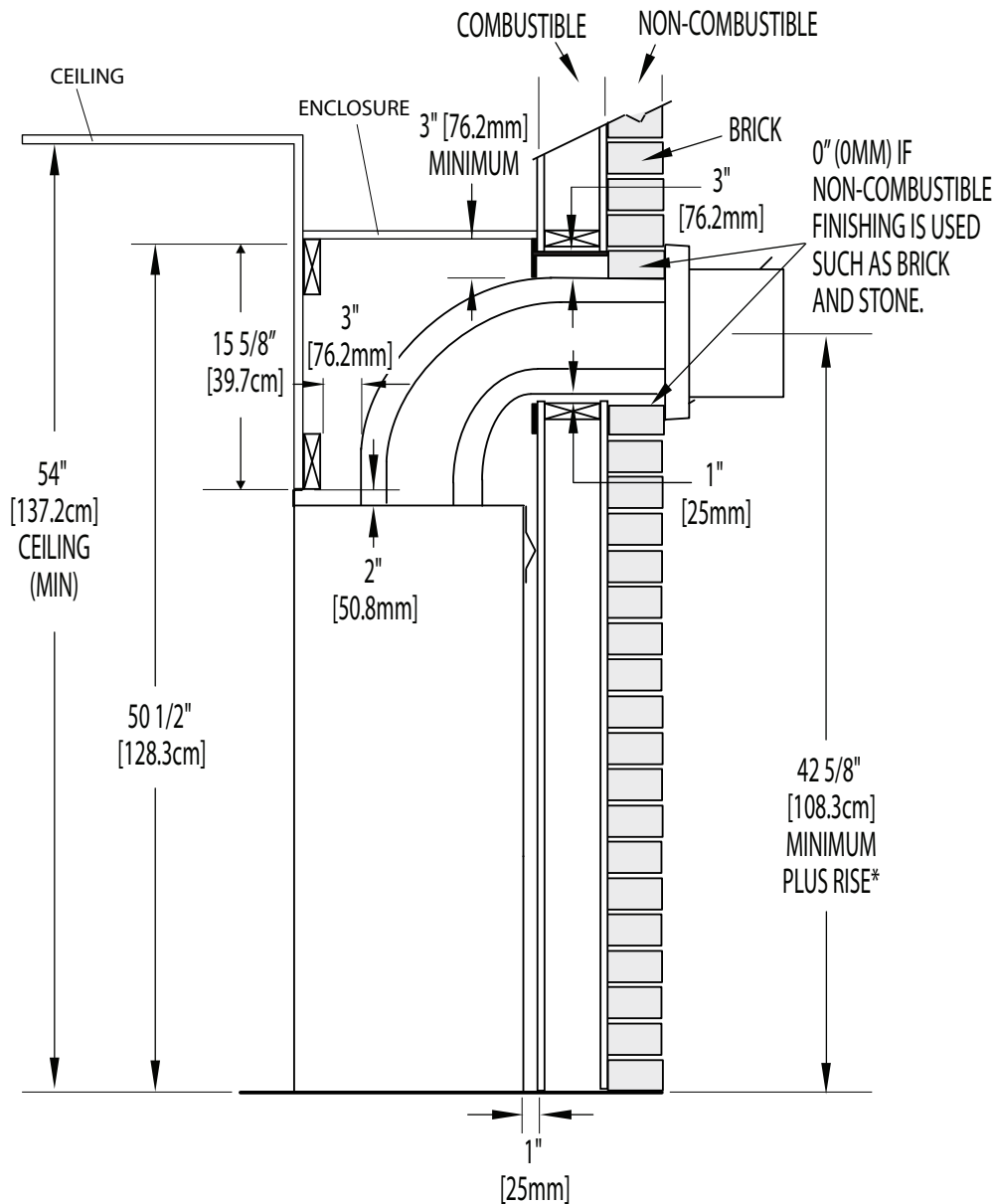
**HORIZONTAL VENT SECTIONS:** A minimum of 1" (25mm) at the bottom and sides, and 3" (76.2mm) at the top of the vent pipe on all horizontal runs to combustibles is required.

**note:**

The minimum clearances from the top of the horizontal vent pipe to combustible materials may be reduced from 3" (76.2mm) to 1" (25mm) in those installations with a minimum 38" (96.5cm) vertical vent rise made immediately off the appliance collar.

**VERTICAL VENT SECTIONS:** A minimum of 1" (25mm) all around the vent pipe on all vertical runs to combustibles is required except for clearances in appliance enclosures. Vertical runs within the enclosure must maintain a 3" (76.2mm) clearance from combustibles. See "minimum enclosure clearances" section.



**TOP VENT****TOP EXIT ENCLOSURE**

The appliance requires a minimum enclosure height of 50 1/2" (128.3cm). For temperature requirements, the enclosure space around and above the appliance must be left unobstructed.

**note:**

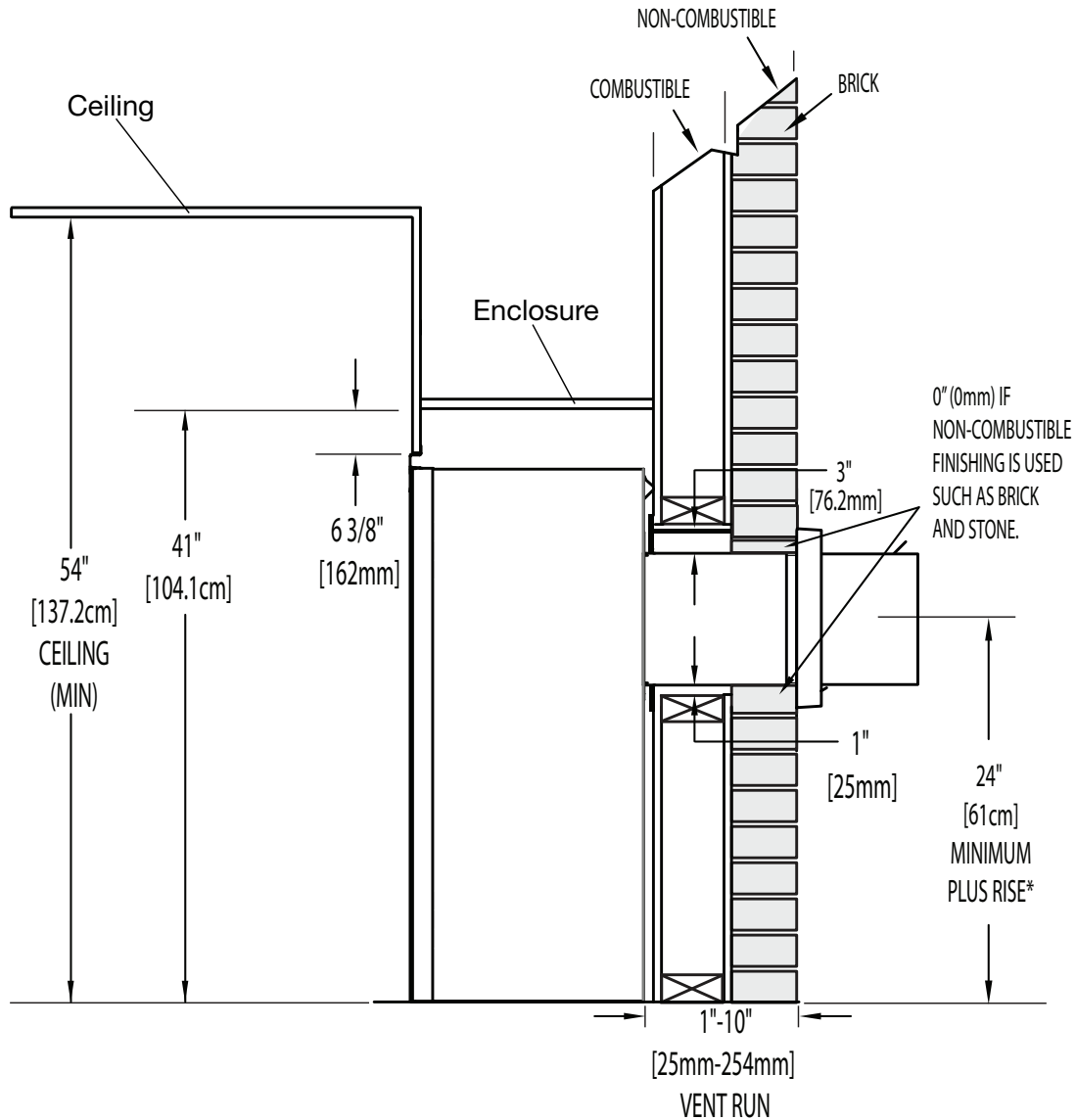
The vent shield is telescopic and must be adjusted to shield the full depth of the combustible wall penetration.

\* See "minimum framing dimensions" section for details on reducing vent pipe top clearances.

These parameters also apply to all illustrations in this section.

### **MINIMUM REAR VENT CLEARANCES**

For rear vent termination not exceeding 10" (254mm) of horizontal vent run.



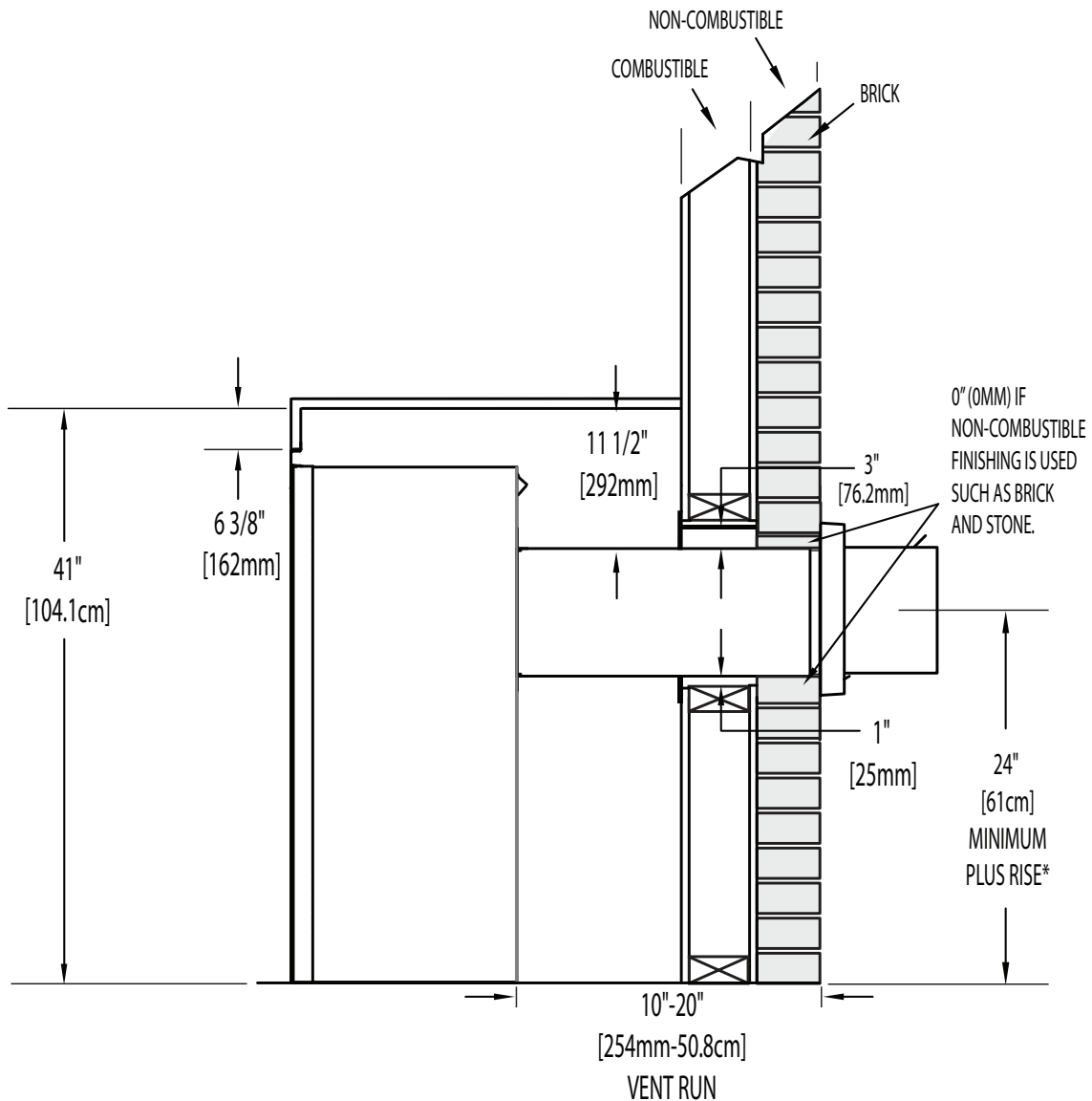
### **REAR EXIT ENCLOSURE**

The appliance requires a minimum enclosure height of 41" (104.1 cm). For temperature requirements, the enclosure space around and above the appliance must be left unobstructed.

**note:**

The vent shield is telescopic and must be adjusted to shield the full depth of the combustible wall penetration.

\* See "venting" section.

**MAXIMUM REAR VENT CLEARANCES****(EXAMPLE 1: INTERIOR NICHE / BUMPOUT / ALCOVE)****REAR EXIT ENCLOSURE**

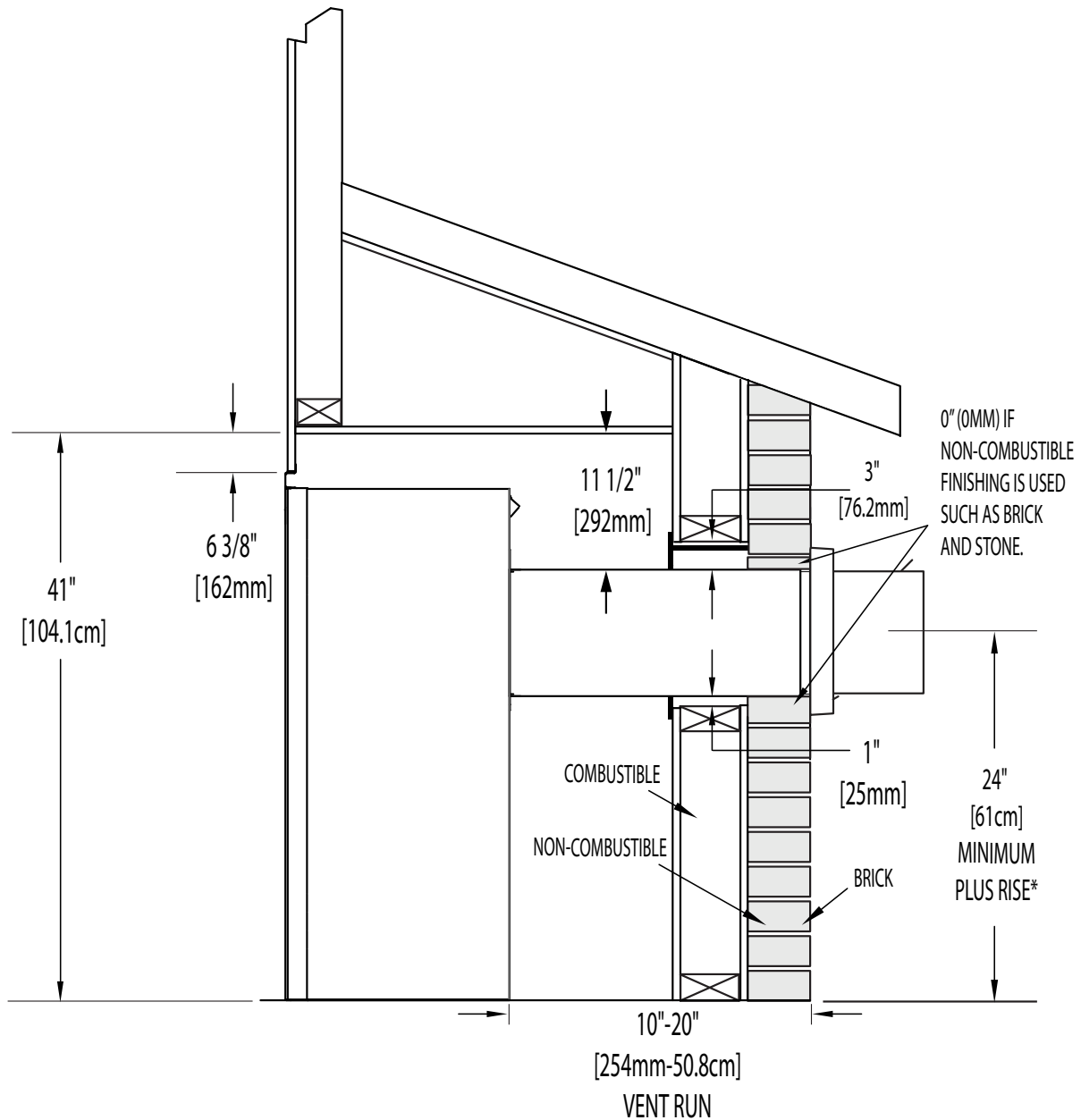
The appliance requires a minimum enclosure height of 41" (104.1 cm). For temperature requirements, the enclosure space around and above the appliance must be left unobstructed.

**note:**

The vent shield is telescopic and must be adjusted to shield the full depth of the combustible wall penetration.

\* See "venting" section.

**MAXIMUM REAR VENT CLEARANCES  
(EXAMPLE 2: EXTERIOR ALCOVE / DOGHOUSE)**



**REAR EXIT ENCLOSURE**

The appliance requires a minimum enclosure height of 41" (104.1cm). For temperature requirements, the enclosure space around and above the appliance must be left unobstructed.

**note:**

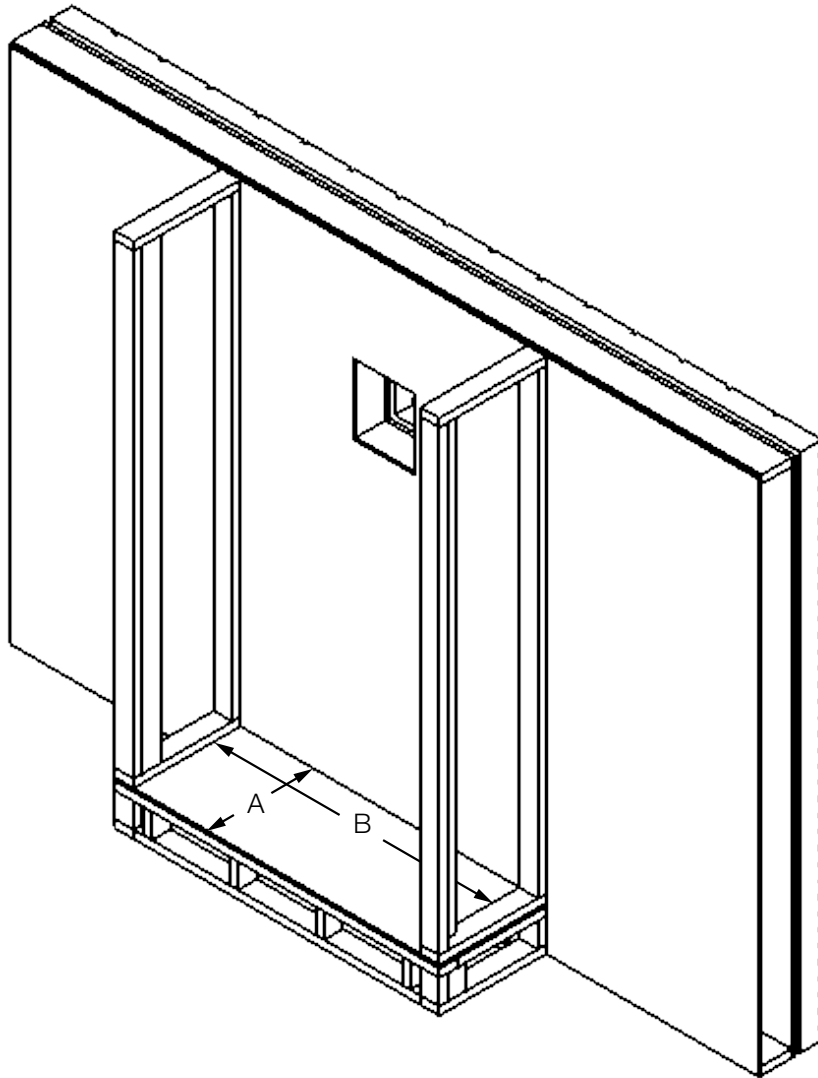
The vent shield is telescopic and must be adjusted to shield the full depth of the combustible wall penetration.

\* See "venting" section.

**note:**

For heavier finishing materials such as marble, we recommend adding extra support to the frame. Ensure there is adequate floor support for the appliance and finishing material.

Before framing your appliance, determine vent requirements before deciding the final location of the appliance. After rough framing, place the appliance in its final position.



| Ref.     | Minimum rough framing dimensions |
|----------|----------------------------------|
| <b>A</b> | 16" * (40.6cm)                   |
| <b>B</b> | 35 1/2" (90.2cm)                 |

\* Based on 1/2" (12.7mm) finishing material thickness.



 **WARNING**

- Ensure to unpack all loose materials from inside the firebox prior to connecting the gas and electrical supply
- **If your appliance is supplied with a remote, ensure the remote receiver is in the “OFF” position prior to connecting the gas and electrical supply to the appliance.**
- For safe and proper operation of the appliance, follow the venting instructions exactly.
- **The appliance exhaust flue collar must be sealed using Mill Pac.** All exhaust and intake vent pipe joints must be sealed using red RTV high temp silicone sealant (W573-0002) (not supplied) or black high temp Mill Pac (W573-0007) (not supplied).
- If using pipe clamps to connect rigid vent components, a minimum of 3 screws must also be used to ensure the connection cannot slip off.
- Do not clamp the flexible vent pipe.
- Risk of fire, explosion, or asphyxiation. Improper support of the entire venting system may allow vent to sag and separate. Use vent run supports and connect vent sections per installation instructions.
- Risk of fire, do not allow loose materials or insulation to touch the vent pipe. Remove insulation to allow for the installation of the attic shield and to maintain clearances to combustibles.
- Do not fill the space between the vent pipe and enclosure with any type of material. Do not pack insulation or combustibles between ceiling firestops. Always maintain specified clearances around venting and firestop systems. Install wall shields and firestops as specified. Failure to keep insulation or other materials away from vent pipe may cause fire.
- **For gas stoves only:** If the appliance is installed directly on carpeting, vinyl tile, or other combustible material other than wood flooring, the appliance shall be installed on a metal or wood panel extending the full width and depth, unless otherwise tested.

For optimum performance, it is recommended that all horizontal runs have a minimum 1/4" rise per foot or 21mm rise per meter using flexible venting.

# venting installation

## 4.1 horizontal installation

### ! WARNING

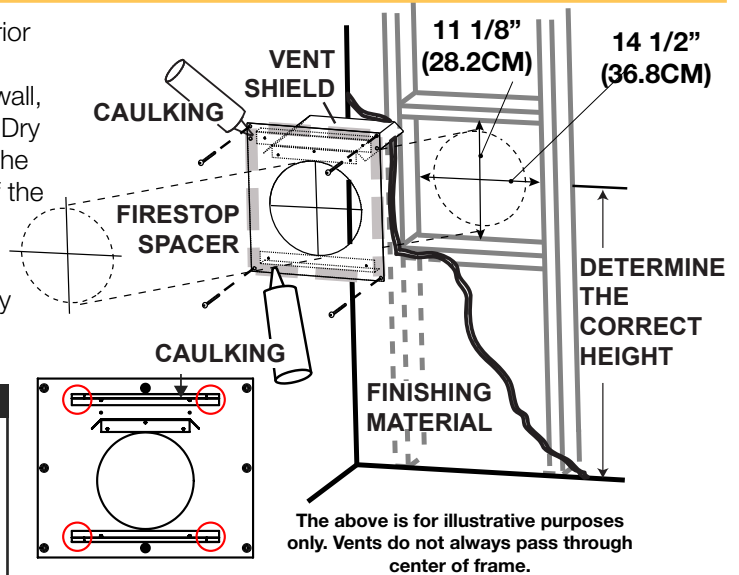
- The firestop assembly must be installed with the vent shield to the top.
- Terminals must not be recessed into a wall or siding more than the depth of the return flange of the mounting plate.
- The vent shield must be fixed in place by fastening the extended vent shield to the bend tabs using the supplied fasteners.

This application occurs when venting through an exterior wall. Having determined the correct height for the air terminal location, cut and frame a hole in the exterior wall, as illustrated, to accommodate the firestop assembly. Dry fit the firestop assembly before proceeding to ensure the brackets on the rear surface fit to the inside surface of the horizontal framing.

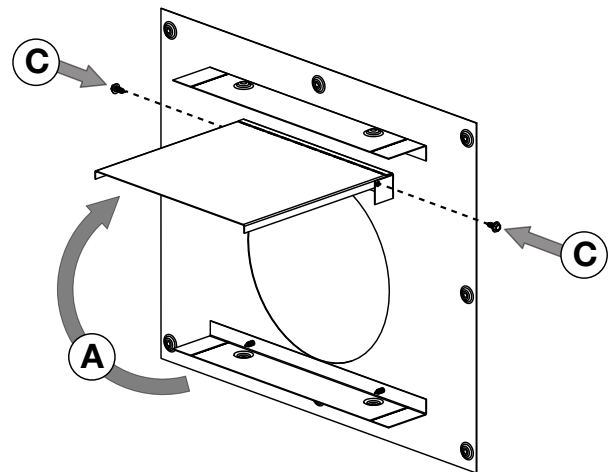
The vent shield must be installed to the full depth of the combustible wall. The length of the vent shield may cut shorter for combustible walls that less than 8 1/2" (216mm) thick.

#### note:

Bend the tabs for reduced side clearances or move the shield for reduced top clearances (dependent on specific appliance clearances). Do not fill the air space between the firestop spacer and the exterior wall with any type of insulating material (i.e. spray foam).



- Fold the vent shield up so that it is perpendicular to the spacer plate.
- Bend the tabs located on either side of the vent shield so that they are just shy of 90° to the spacer plate.
- On both sides of the firestop, fasten the (W570-0018) screws through the clearance holes in the bend tabs and threaded into the holes in the vent shield.
- Apply a bead of caulking around the outer edge of the firestop assembly.
- Screw the firestop onto the wall/framing, using 4 screws.
- Once the vent pipe is installed in its final position, apply red RTV silicone (W573-0002) (not supplied) between the pipe and the firestop.



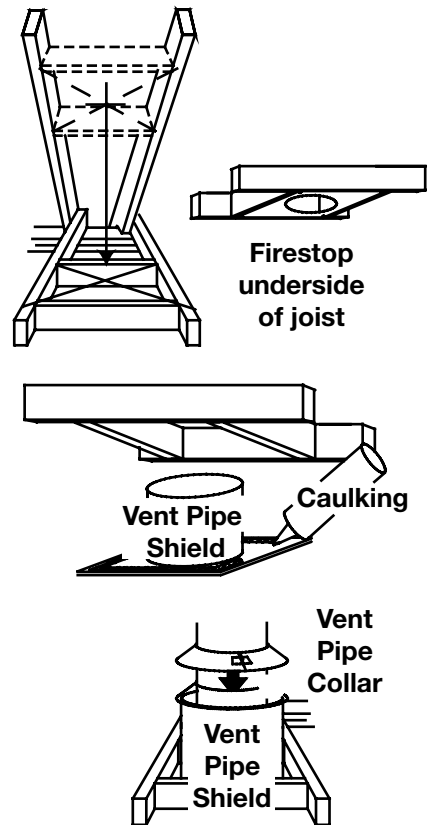
#### note:

Where the venting passes horizontally through a wall, you **MUST** use a Wolf Steel firestop for all rigid and flex vent systems. The gap between the outside diameter of the vent and the firestop **MUST** be completely sealed with high temperature RTV. When using flex venting, use firestop assembly W010-3440 (not supplied). When using rigid venting, use firestop assembly 4DHFSN (not supplied).

## 4.2 vertical installation

This application occurs when venting through a roof. Installation kits for various roof pitches are available from your authorized dealer / distributor. See the “accessories” section to order specific kits required.

- A. Determine the air terminal location, cut and frame a square opening, as illustrated, in the ceiling and the roof to provide the minimum 1" (25mm) clearance between the vent pipe and any combustible material. Try to center the vent pipe location midway between two joists to prevent having to cut them. Use a plumb bob to line up the center of the openings. A vent pipe shield will prevent any materials such as insulation, from filling up the 1" (25mm) air space around the pipe. Nail headers between the joist for extra support.
- B. Apply a bead of caulking (not supplied) to the framework or to the Wolf Steel vent pipe shield plate or equivalent (in the case of a finished ceiling), and secure over the opening in the ceiling. A firestop must be placed on the bottom of each framed opening in a roof or ceiling that the venting system passes through. Apply a bead of caulking all around and place a firestop spacer over the vent shield to restrict cold air from being drawn into the room or around the fireplace. Ensure that both spacer and shield maintain the required clearance to combustibles. Once the vent pipe is installed in its final position, apply red RTV silicone (W573-0002) (not supplied) between the pipe and the firestop assembly.
- C. In the attic, slide the vent pipe collar down to cover up the open end of the shield and tighten. This will prevent any materials, such as insulation, from filling up the 1" (25mm) air space around the pipe.



**note:**

Where the venting passes vertically through a ceiling you use **MUST** use a Wolf Steel firestop for all rigid and flex vent systems. The gap between the outside diameter of the vent and the firestop **MUST** be completely sealed with high temperature RTV.

**For 4"/7" appliances:**

When using flex venting, use firestop assembly W500-0292 (not supplied).  
 When using rigid venting, use firestop assembly 4DFS (not supplied).

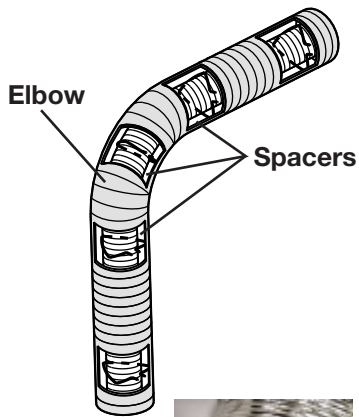
**For 5"/8" appliances:**

When using flex venting, use firestop assembly W500-0028 (not supplied).  
 When using rigid venting, use firestop assembly 5DFS (not supplied).

## 4.3 using either flexible or rigid vent components

**! WARNING**

- Do not allow the inner flex pipe to bunch up on horizontal or vertical runs and elbows. Keep it pulled tight.
- Spacers are attached to the inner flex pipe at predetermined intervals to maintain an even air gap to the outer flex pipe. This gap is required for safe operation. A spacer is required at the start, middle, and end of each elbow to ensure this gap is maintained. These spacers must not be removed.



For safe and proper operation of the appliance, follow the venting instructions exactly.

The vent system must be supported approximately every 3 feet (0.9m) for both vertical and horizontal runs. Use Wolf Steel Ltd. support ring assembly or equivalent noncombustible strapping to maintain the minimum clearance to combustibles for both vertical and horizontal runs.

All inner flex pipe and outer flex pipe joints may be sealed using high temperature red RTV silicone W573-0002 (not supplied) or the high temperature sealant W573-0007 Mill Pac (not supplied). However, the high temperature sealant W573-0007 Mill Pac (not supplied) must be used on the joint connecting the inner flex pipe and the exhaust flue collar.

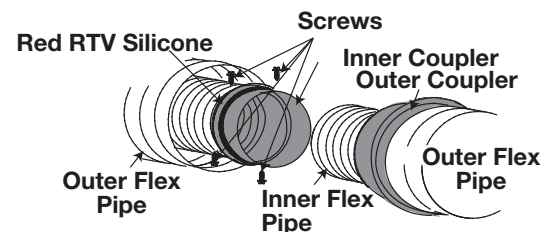
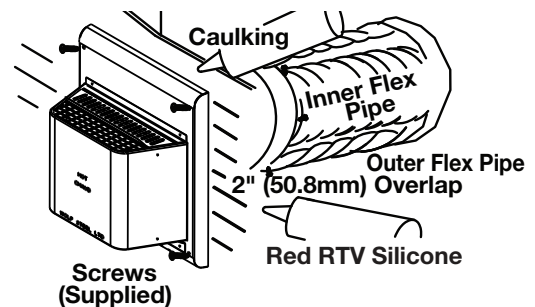
**Use only approved flexible vent pipe kits marked:**



**“Wolf Steel Approved Venting” or “E2” as identified by the stamp only on the flex pipes.**

## 4.3.1 horizontal air terminal installation

- Stretch the inner flex pipe to the required length taking into account the additional length needed for the finished wall surface. Apply a heavy bead of the red RTV silicone (W573-0002) (not supplied) to the inner sleeve of the air terminal. Slip the vent pipe a minimum of 2" (50.8mm) over the inner sleeve of the air terminal and secure with a minimum of 3 screws.
- Using the outer flex pipe, slide over the outer combustion air sleeve of the air terminal and secure with a minimum of 3 screws. Seal using red RTV silicone (W573-0002) (not supplied).
- Insert the vent pipes through the firestop maintaining the required clearance to combustibles. Holding the air terminal (lettering in an upright, readable position), secure to the exterior wall and make weather tight by sealing with caulking (not supplied).
- If more vent pipe needs to be used to reach the fireplace, couple them together, as illustrated. The vent system must be supported approximately every 3 feet (0.9m) for both vertical and horizontal runs. Use non-combustible strapping to maintain the minimum clearance to combustibles.
- Stove Appliances Only:** From inside the house, using Red RTV Silicone (W573-0002) (not supplied), seal between the vent pipe and the firestop. Then slide the black trim collar over the vent pipe up to the firestop.



**The air terminal mounting plate may be recessed into the exterior wall or siding no greater than the depth of its return flange.**

### 4.3.2 vertical air terminal installation

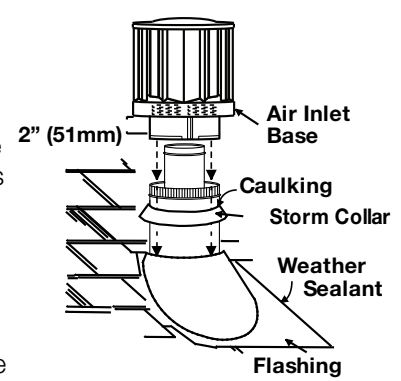
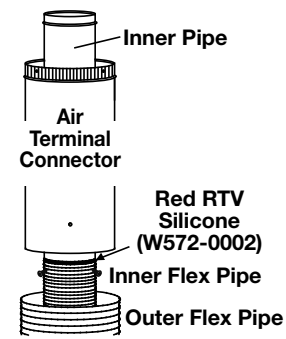
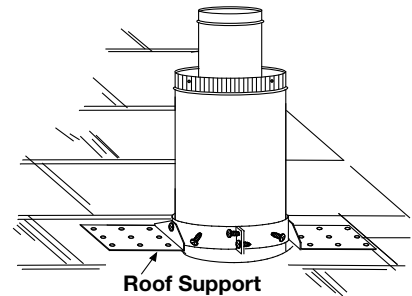
## **! WARNING**

- Maintain a minimum 2" (51mm) space between the air inlet base and the storm collar.

**note:**

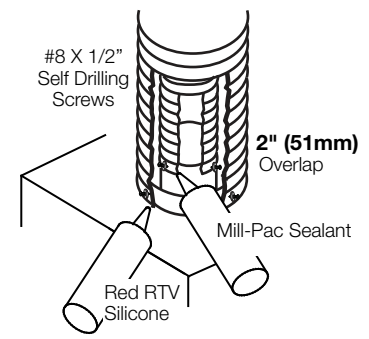
Fastening hardware provided with appropriate roof terminal and liner kits.

- Fasten the roof support to the roof using 6 screws. The roof support is optional. In this case, the venting is to be adequately supported using either an alternate method suitable to the authority having jurisdiction or the optional roof support.
- Stretch the inner flex pipe to the required length. Slip the inner flex pipe a minimum of 2" (51mm) over the inner pipe of the air terminal connector and secure with a minimum of three screws, when 4/7, 5/8 and 3/5 venting is used and a minimum of six screws when using 8/10 or 8/11 venting. Seal using a heavy bead of red RTV silicone sealant (W573-0002) (not supplied).
- Repeat using the outer flex pipe, using a heavy bead of red RTV silicone sealant (W573-0002) (not supplied) and a minimum of three screws, when 4/7, 5/8 and 3/5 venting is used and a minimum of six screws when using 8/10 or 8/11 venting.
- Thread the air terminal connector / vent pipe assembly down through the roof. The air terminal must be positioned vertically and plumb. Attach the air terminal connector to the roof support, ensuring that the top of the air terminal is 16" (40.6cm) above the highest point that it penetrates the roof.
- Remove nails from the shingles, above and to the sides of the air terminal connector. Place the flashing over the air terminal connector leaving a min. 3/4" (19mm) of the air terminal connector showing above the top of the flashing. Slide the flashing underneath the sides and upper edge of the shingles. Ensure that the air terminal connector is properly centered within the flashing, giving a 3/4" (19mm) margin all around. Fasten to the roof. Do not nail through the lower portion of the flashing. Make weather-tight by sealing with caulking. Where possible, cover the sides and top edges of the flashing with roofing material.
- Aligning the seams of the terminal and air terminal connector, place the terminal over the air terminal connector making sure the vent pipe goes into the hole in the terminal. Secure with a minimum of three screws, when 4/7, 5/8 and 3/5 venting is used and a minimum of six screws when using 8/10 or 8/11 venting.
- Apply a heavy bead of weatherproof caulking 2" (51mm) above the flashing. Install the storm collar around the air terminal and slide down to the caulking. Tighten to ensure that a weather-tight seal between the air terminal and the collar is achieved.
- If more vent pipe needs to be used to reach the appliance, see "**horizontal air terminal installation**" section.



### 4.3.3 appliance vent connection

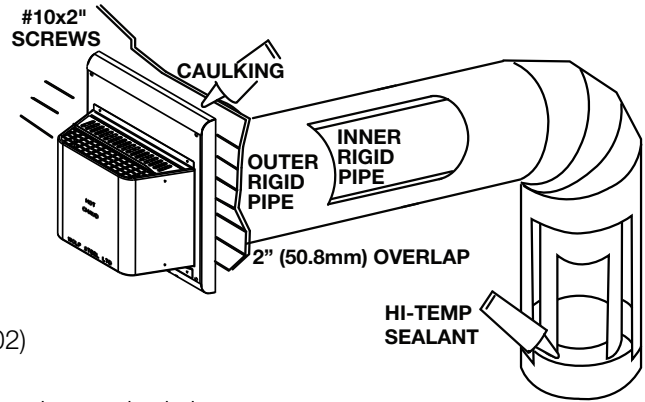
- Install the inner flex pipe to the appliance. Secure with a minimum of three screws when installing 3"/5", 4"/7" or 5"/8" venting, or six screws when installing 8"/10" or 8"/11" venting. Seal the joint and screw holes using Mill Pac sealant (W573-0007) (not supplied).
- Install the outer flex pipe to the appliance. Secure with a minimum of three screws when installing 3"/5", 4"/7" or 5"/8" venting, or six screws when installing 8"/10" or 8"/11" venting. Seal the joints using high temperature red RTV silicone (W573-0002) (not supplied).



## venting installation

### 4.3.4 horizontal air terminal installation

- A. Move the appliance into position. Measure the vent length required between terminal and appliance taking into account the additional length needed for the finished wall surface and any 2" (50.8mm) overlaps between venting components.
- B. Apply a heavy bead of Mill Pac sealant (W573-0007) (not supplied) to the outer edge of the inner collar of the appliance. Attach the first inner rigid pipe component and secure using a minimum of three screws. Repeat using the outer rigid pipe. Seal using Red RTV Silicone (W573-0002) (not supplied).
- C. Insert the vent pipes through the firestop maintaining the required clearance to combustibles. Apply a heavy bead of Red RTV Silicone (W573-0002) (not supplied) to both the inner sleeve and outer sleeve of the air terminal. Slide the terminal sleeves into the rigid pipes a minimum of 1 1/4". Holding the air terminal (lettering in an upright, readable position), secure to the exterior wall and make weather tight by sealing with caulking (not supplied).



**The air terminal mounting plate may be recessed into the exterior wall or siding no greater than the depth of the return flange.**

### 4.3.5 vertical air terminal installation

## ! WARNING

- Maintain a minimum 2" (51mm) space between the air inlet base and the storm collar.

#### note:

Fastening hardware provided with appropriate roof terminal and liner kits.

Before attaching elbows to the collars on the back of the appliance, 1 1/2" (38.1mm) will need to be trimmed off the 4" (101.6mm) collar.

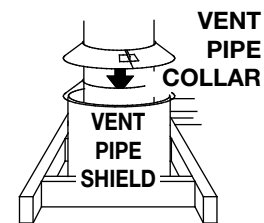
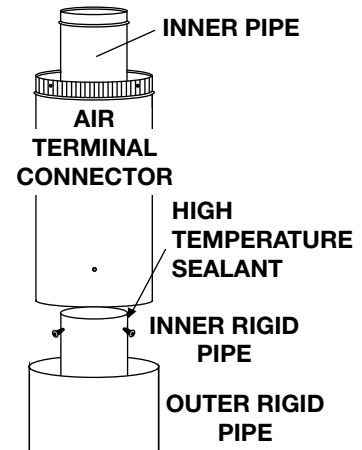
**REAR VENT APPLICATIONS ONLY:** Attach 4" (101.6mm) and 7" (177.8mm) elbows to the appliance. Secure with 3 screws and seal the joints and screw heads using high temperature sealant. Proceed to step A below.

#### TOP AND REAR VENT APPLICATIONS:

- Move the appliance into position.
- Fasten the roof support to the roof using the screws provided. The roof support is optional. In this case the venting is to be adequately supported using either an alternate method suitable to the authority having jurisdiction or the optional roof support.
- Apply high temperature sealant W573-0007 (not supplied) to the outer edge of the inner sleeve of the air terminal. Slip the inner coupler a minimum of 2" (51mm) over the sleeve and secure using 3 screws.
- Apply high temperature sealant W573-0002 (not supplied) to the outer edge of the of the outside sleeve of the air terminal connector. Slip the outer coupler over the sleeve and secure as before. Trim the outer coupler even with the inner coupler end.
- Thread the air terminal connector / vent pipe assembly down through the roof support and attach, ensuring that a minimum 16" (40.6cm) of air terminal connector will penetrate the roof when fastened. If the attic space is tight, we recommend threading the Wolf Steel vent pipe collar or equivalent loosely onto the air terminal connector / vent pipe assembly as it is passed through the attic. The air terminal connector must be positioned vertically and plumb.
- Remove nails from the shingles, above and to the sides of the air terminal connector. Place the flashing over the air terminal connector and slide it underneath the sides and upper edge of the shingles. Ensure that the air terminal connector is properly centered within the flashing, giving a 3/4" (19.1mm) margin all around. Fasten to the roof. **Do NOT nail through the lower portion of the flashing.** Make weather-tight by sealing with caulking. Where possible, cover the sides and top edges of the flashing with roofing material.
- Apply a heavy bead of waterproof caulking 2" (51mm) above the flashing. Install the storm collar around the air terminal and slide down to the caulking. Tighten to ensure that a weather-tight seal between the air terminal connector and the collar is achieved.
- Continue adding rigid venting sections, sealing and securing as above. Attach the inner collapsed telescopic sleeve to the last section of rigid piping. Secure with screws and seal. Repeat using the outer telescopic sleeve.
- Run a bead of high temperature sealant W573-0007 (not supplied) around the outside of the **inner elbow for rear vent applications** or the **inner collar for top vent applications**. Pull the telescopic sleeve a minimum of 2" (51mm) onto the elbow. Secure with three screws. Repeat with the outer telescopic sleeve.

#### TOP VENT APPLICATIONS ONLY:

- In the attic, slide the vent pipe collar down to cover up the open end of the shield and tighten. This will prevent any materials, such as insulation, from filling up the 1" (25mm) air space around the pipe.



## ! WARNING

- Risk of fire.
- Co-axial to co-linear venting configurations must only be used in a non-combustible chimney or enclosure. Installation in a combustible enclosure could result in a fire.

This appliance is designed to be attached to a 3" (76.2mm) co-linear aluminum flex vent system running the full length of a masonry chimney.

The flex liners accommodate any contours of a masonry chimney, however, it is necessary to keep the flexible liners as straight as possible. The inlet air collar of the termination cap must be connected to the air intake flex liner and the exhaust collar must be connected to the exhaust flexible liner.

Both Simpson Duravent and Selkirk co-linear to co-axial adaptors have been approved on this appliance

### note:

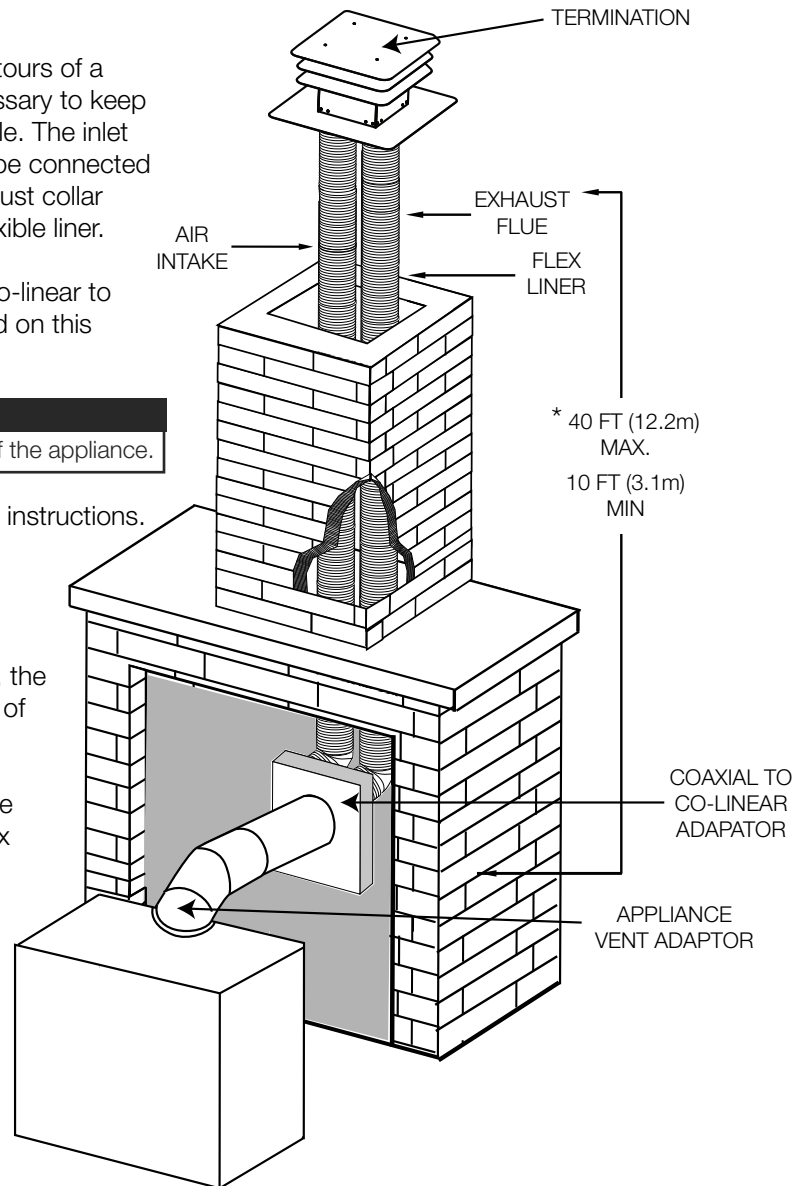
A vent adaptor will be required directly off the appliance.

Follow vent manufacturer's installation instructions.

Different manufacturer's venting components must not be combined. Once the preferred manufacturer's appliance adaptor has been attached, the remainder of the system must be that of the same manufacturer.

The only exception to this rule is to use Wolf Steel's approved 3" (76.2mm) flex liner and co-linear termination.

\* Measured from appliance flue collar to termination flue collar





**4.4.1 restricting vertical vents**

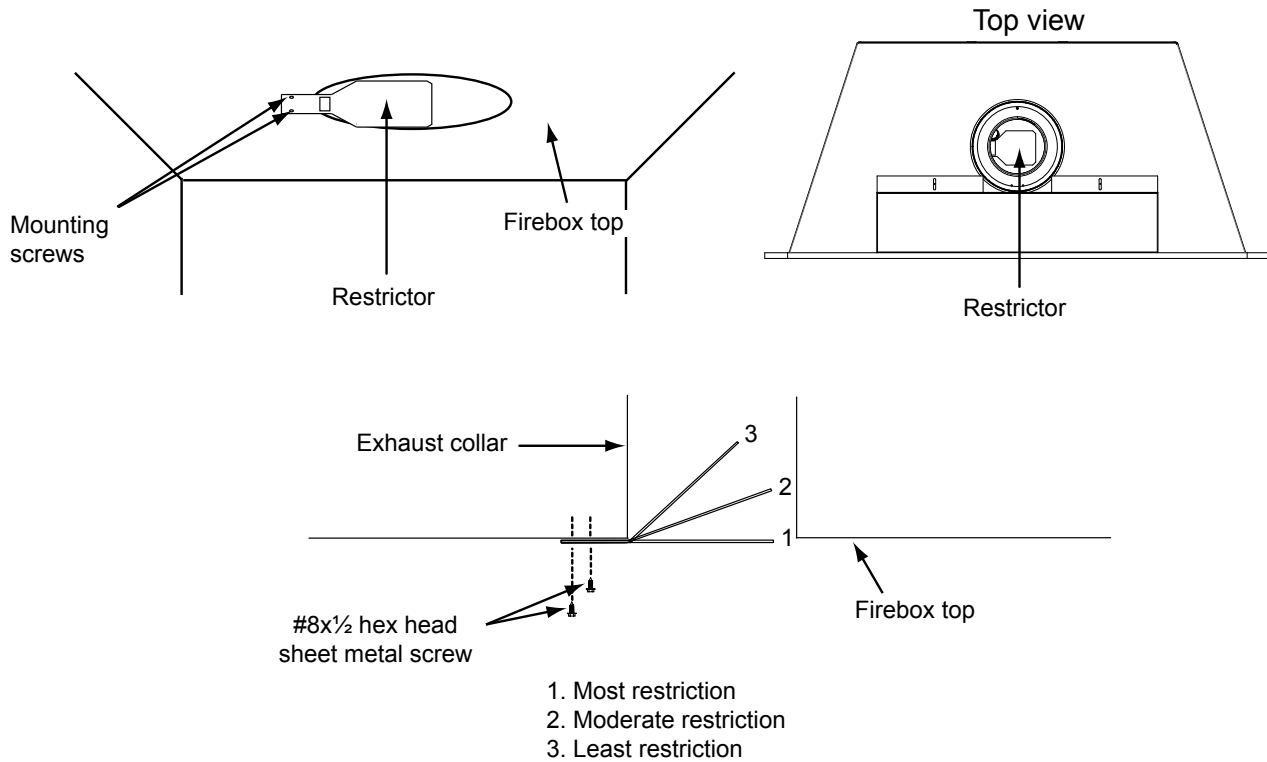
**! WARNING**

- Turn off gas and electrical supply before servicing the appliance.
- Appliance may be hot. Do not service until appliance is cool.
- For safe and proper operation of the appliance, follow the venting instructions exactly.
- To avoid danger of suffocation, keep the packaging bag away from babies and children. Do not use in cribs, beds, carriages or play pens. This bag is not a toy. Knot before throwing away.

Vertical installations may display a very active flame. If this appearance is not desirable, the exhaust outlet may be restricted with a Wolf Steel approved restrictor kit. This kit is not recommended for short vertical vent runs.

Depending on the model and/or year of your appliance, mounting holes may not exist.

- If mounting holes exist, remove the screws from the firebox top, align the restrictor plate as illustrated, and secure.
- If mounting holes do not exist, align the restrictor plate as illustrated and secure using the 2 #8x1/2 hex head sheet metal screws supplied.
- Ensure the plate will pivot at the slot up into the exhaust outlet.
- Depending on the amount of restriction desired, the restrictor plate can be left flat for most restriction or bent up for varying degrees of restriction.

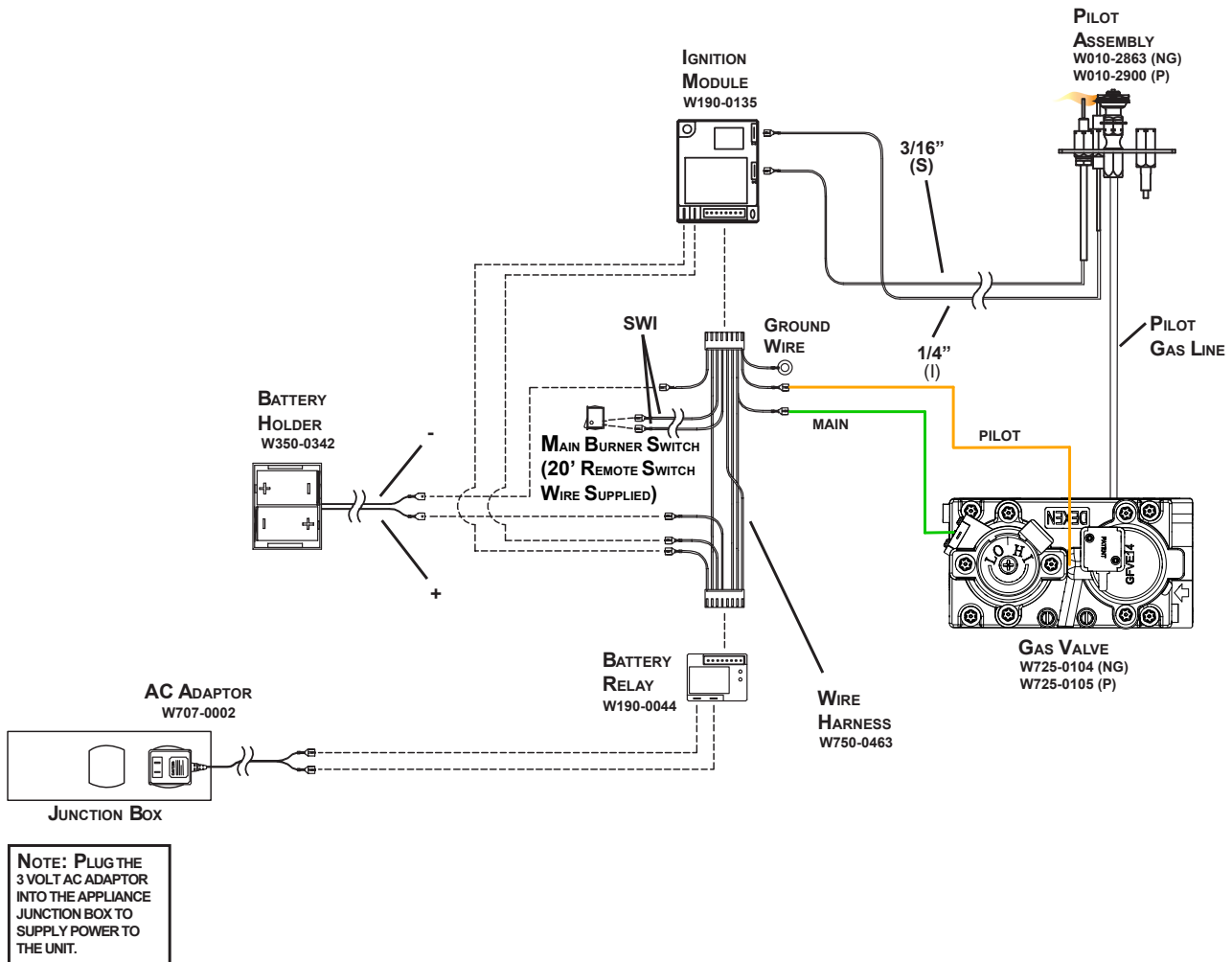


# 5.0 electrical information

## 5.1 wiring diagram

### ! WARNING

- Do not wire 110 volts to the valve or wall switch.



#### note:

This appliance comes equipped with a battery back-up. If this back-up is used, install 2 'D' batteries (not supplied) into the holder. The backup is controlled by a relay which will automatically switch to the back-up in the event of a power failure. If the back-up is used, it must be connected to this 3 volt battery pack (supplied). Do not use any other type of battery pack.

## 5.2 battery back-up installation

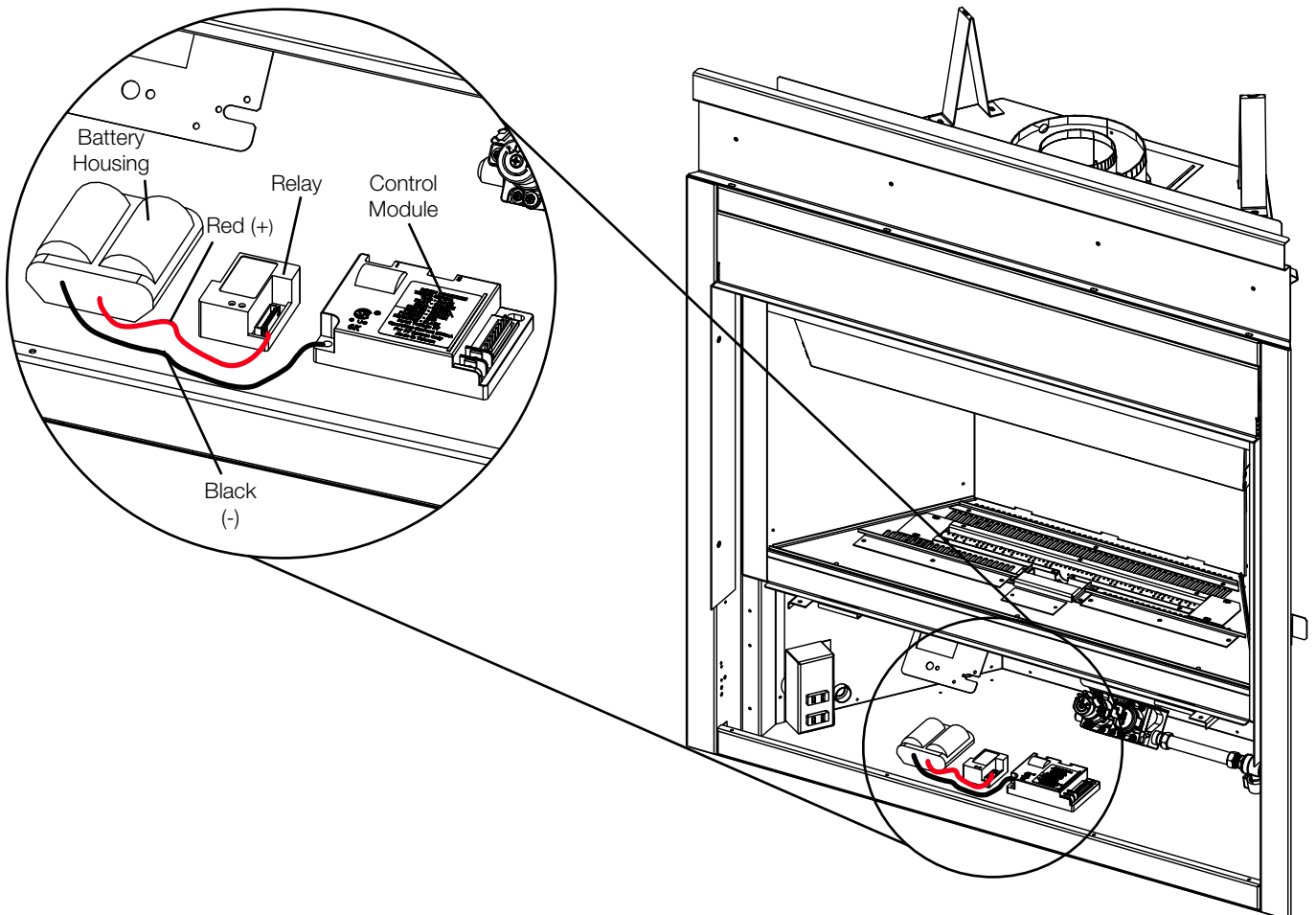
### **!** WARNING

- Ensure the gas and electrical power to the appliance is turned off.
- Appliance may be hot. Do not service until the appliance has cooled.

**note:**

In the event of a power failure, your appliance can be operated using the supplied battery back-up.

- Remove the safety barrier to easily access the control compartment.
- Turn off the gas and disconnect the electrical power supply from the appliance.
- Locate the battery housing inside the valve compartment.
- Install 2 "D" alkaline batteries (not supplied) into the battery housing. Ensure the positive and negative ends correspond with those identified on the holder.
- Turn the gas and electrical power back on to begin operating the appliance.
- Reinstall the safety barrier. The safety barrier must be installed at all times during operation of the appliance.



## 6.0 gas installation

### WARNING

- Risk of fire, explosion, or asphyxiation. Ensure there are no ignition sources such as sparks or open flames.
- Support gas control when attaching gas supply pipe to prevent damaging gas line.
- Always light the pilot whether for the first time or if the gas supply has run out with the glass door opened or removed. Purging of the gas supply line should be performed by a qualified service technician. Ensure that a continuous gas flow is at the burner before closing the door. Ensure adequate ventilation. For gas and electrical locations, see “dimensions” section.
- All gas connections must be contained within the appliance when complete **(gas fireplaces only)**.
- High pressure will damage valve. Disconnect gas supply piping before testing gas line at test pressures above 1/2 PSIG.
- Valve settings have been factory set, do not change.

#### **Installation and servicing to be done by a qualified installer.**

- Move the appliance into position and secure.
- If equipped with a flex connector, the appliance is designed to accept a 1/2" (13mm) gas supply. Without the connector, it is designed to accept a 3/8" (9.5mm) gas supply. The appliance is equipped with a manual shut off valve to turn off the gas supply to the appliance.
- Connect the gas supply in accordance to local codes. In the absence of local codes, install to the current CAN/CSA-B149.1 Installation Code in Canada or to the current National Fuel Gas Code, ANSI Z223.1 / NFPA 54 in the United States.
- When flexing any gas line, support the gas valve so that the lines are not bent or kinked.
- The gas line flex-connector should be installed to provide sufficient movement for shifting the burner assembly on its side to aid with servicing components.
- Check for gas leaks by brushing on a soap and water solution. **Do not use open flame.**

After installing the electrical wiring and gas lines, ensure to test the appliance before finishing the framing and finishing the appliance.

## ! WARNING

- If you do not follow these instructions exactly, a fire or explosion may result causing property damage, personal injury, or loss of life.
- If applicable, always light the pilot whether for the first time or if the gas supply has run out with the glass door opened or removed.

When lit for the first time, the appliance will emit an odor for a few hours. This is a normal temporary condition caused by the “burn-in” of paints and lubricants used in the manufacturing process and will not occur again. After extended periods of non-operation, such as, following a vacation or warm weather season, the appliance may emit a slight odor for a few hours. This is caused by dust particules in the heat exchanger burning off. In both cases, open a window to sufficiently ventilate the room.

### FOR YOUR SAFETY READ BEFORE LIGHTING

- Do not turn on if children or other at risk individuals are near the appliance.
- This appliance is equipped with an ignition device which automatically lights the pilot. Do not try to light the pilot by hand.
- Before operating, smell all around the appliance area for gas and next to the floor because some gas is heavier than air and will settle on the floor.
- Do not use this appliance if any part has been under water. Immediately call a qualified service technician to inspect the appliance and replace any part of the control system and any gas control which has been underwater.

### WHAT TO DO IF YOU SMELL GAS

- Turn off all gas to the appliance.
- Open windows.
- Do not try to light any appliance.
- Do not touch any electric switch; do not use any phone in your building
- Immediately call your gas supplier from a neighbour's phone. Follow the gas supplier's instructions.
- If you cannot reach your gas supplier, call the fire department.

### LIGHTING INSTRUCTIONS

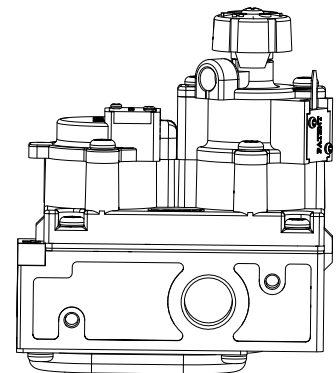
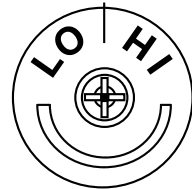
#### note:

This appliance is equipped with an ignition device which automatically lights the pilot. Do not try to light the pilot by hand.

- Stop! Read the above safety information on this label.
- Remove batteries from the transmitter and set thermostat to lowest setting, if equipped.
- Turn off all electrical power to the appliance.
- Open the glass door, if equipped.
- Turn the manual shut-off valve clockwise to the “OFF” position. (Shut-off valve is located on the flex connector).
- Wait five (5) minutes to clear out any gas. If you smell gas including near the floor, **STOP!** Follow the instructions above in the “WHAT TO DO IF YOU SMELL GAS” section. If you don't smell gas; close the glass door and go to the next step.
- Turn the manual shut-off valve counter clockwise to the “ON” position.
- Turn on all electrical power to the appliance and re-install the batteries into the transmitter. Set thermostat to desired setting, if equipped.
- Turn on the remote wall switch to the appliance.
- If the appliance will not operate, follow instructions “TO TURN OFF GAS” and call your service technician or gas supplier.

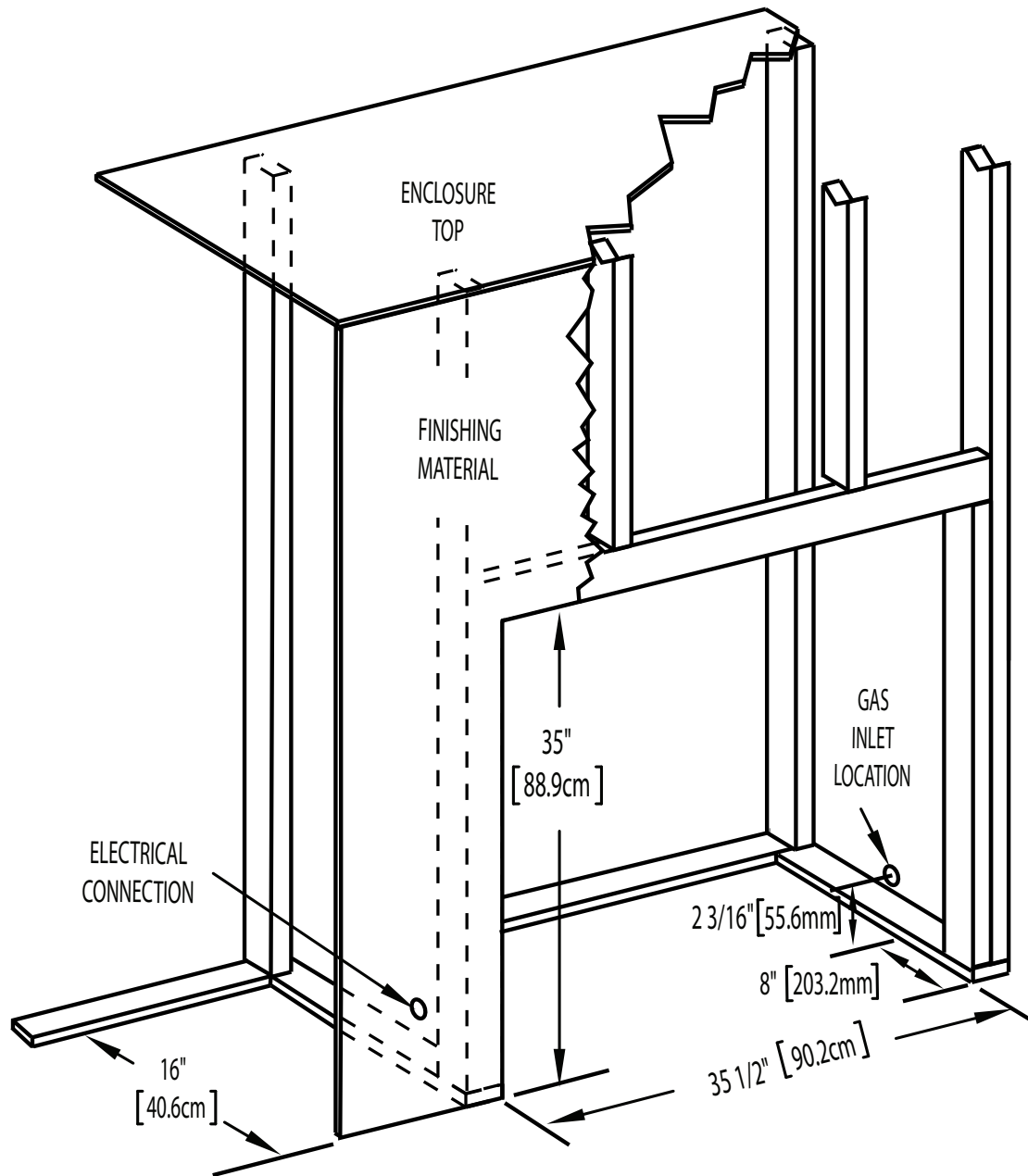
### TO TURN OFF GAS

- Set thermostat to lowest setting, if equipped.
- Turn off the remote wall switch to the appliance.
- Turn off all electric power to the appliance if service is to be performed.
- Turn manual shutoff valve clockwise to the “OFF” positon. Do not force.



## 8.0 finish framing

### 8.1 minimum framing dimensions



## ! WARNING

- Risk of fire!
- Never obstruct the front opening of the appliance.
- Do not strike, slam, or scratch. Do not operate appliance with glass removed, cracked, or scratched.
- Facing and/or finishing material must never overhang into the appliance opening.
- The glass door assembly is designed to pivot forward when relieving excess pressure that might occur. Finishing or other materials must not be located in the opening surrounding the door as this will interfere with the doors ability to relieve pressure.

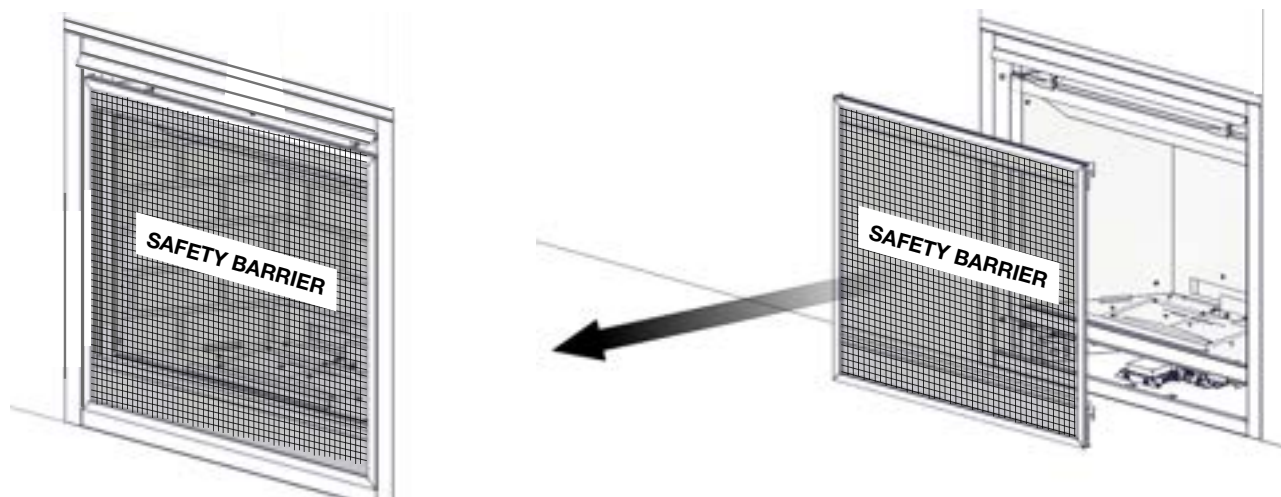
### 9.1 safety barrier / door removal and installation

## ! WARNING

- Glass may be hot. Do not touch glass until cooled.
- If equipped with door latches that are part of a safety system, they must be properly engaged. Do not operate the appliance with latches disengaged.
- Facing and/or finishing materials must not interfere with air flow through air openings, louvre openings, operation of louvres, or doors/access for service. Observe all clearances when applying combustible materials.
- Before door is removed, turn the appliance off and wait until appliance is cool to the touch. Doors are heavy and fragile so handle with care.

**A barrier designed to reduce the risk of burns from the hot viewing glass is provided for the appliance and shall be installed.**

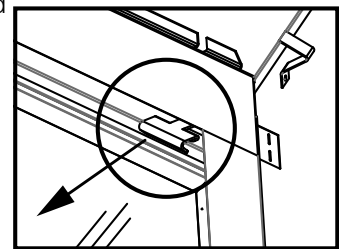
Before the glass door can be removed, the safety barrier must be removed. Lift the safety barrier off the 4 pins, tilt the top forward, and remove from the appliance.



Leave a hand on the glass door during entire door removal. The glass door is secured to the firebox with 2 spring latches along the top and 2 along the bottom. Pull the handles of the latches forward, then lift the latches out from the door frame to release the top of the door. Repeat the same step for the 2 bottom latches. Next, pivot the door forward until the top edge clears the front of the appliance. Carefully grip the sides of the door lifting it off the appliance.

#### note:

These spring latches make up the spring relief system for the appliance. Ensure they open freely and close sealed.



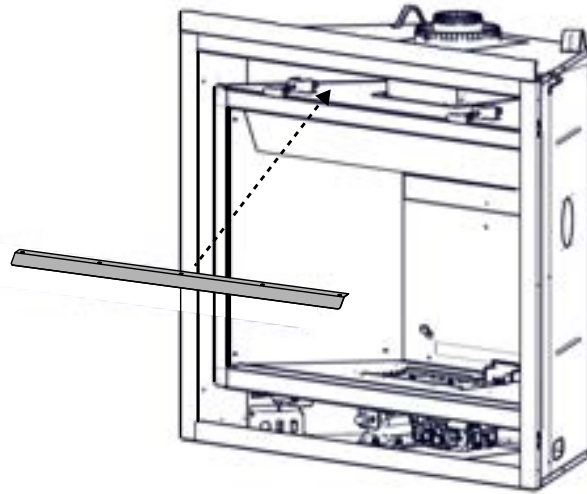
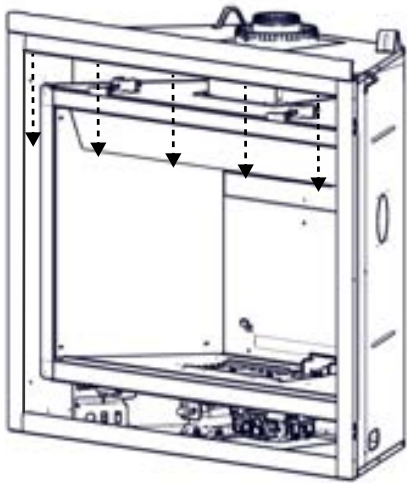
Reverse these steps to re-install the safety barrier and door. Ensure safety barrier is installed correctly.

## 9.2 front hood installation

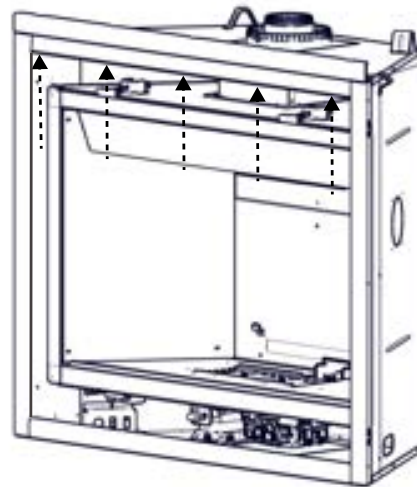
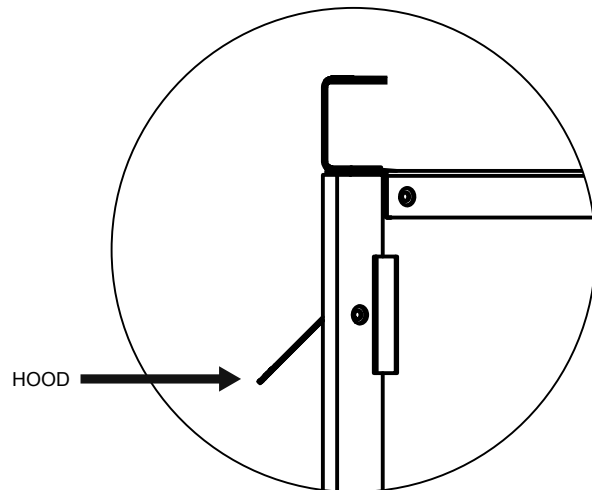
**note:**

This hood **must** be installed, if it has not already been factory installed.

- A. Safety door and barrier must be removed.
- B. Remove the securing screws from the top of the firebox, as shown.
- C. Install the front hood, ensuring it is angled downward when installed.
- D. Reinstall the previously removed securing screws.



SIDE VIEW

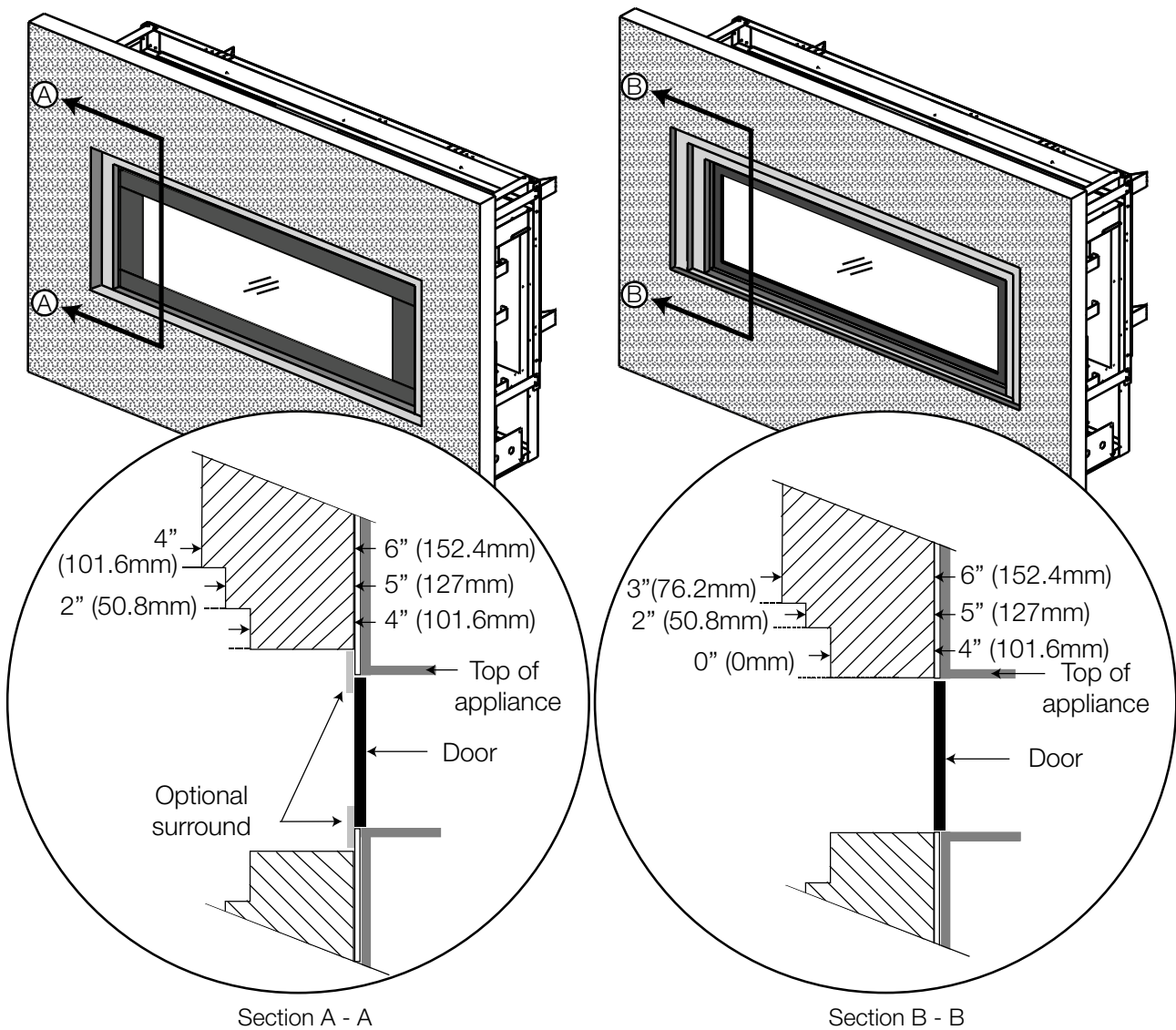




9.3 non-combustible facing material

**! WARNING**

Non-combustible facing material must not project more than 4" (101.6mm) from the face of the door (all four sides). If greater projections are desired, increase the clearance to the sides, bottom and top by 2" (50.8mm) for every additional 1" (25.4mm) of projection. If using an optional surround, the same rule applies, starting from the top of the surround. Ensure clearances are maintained for surround removal, as it must lift off the appliance for maintenance.

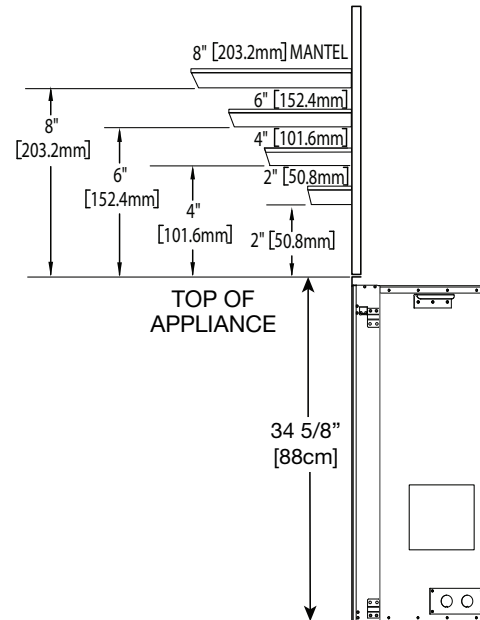
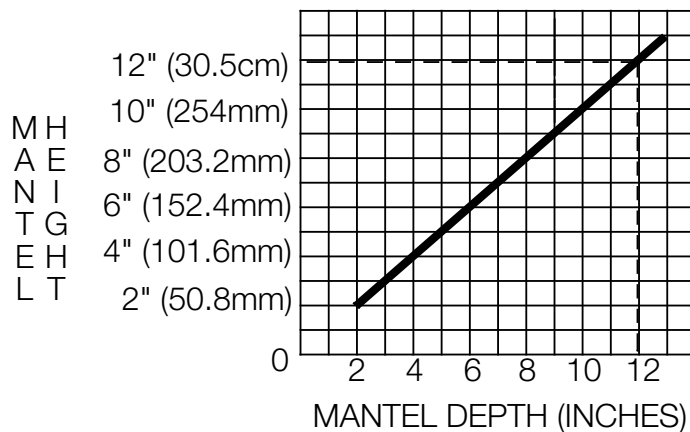


## 9.4 minimum mantel clearances

**! WARNING**

- Risk of fire. Maintain all specified air space clearances to combustibles. Failure to comply with these instructions may cause a fire or cause the appliance to overheat. Ensure all clearances (i.e. back, side, top, vent, mantel, front, etc.) are clearly maintained.
- When using paint or lacquer to finish the mantel, the paint or lacquer must be heat resistant to prevent discolouration.

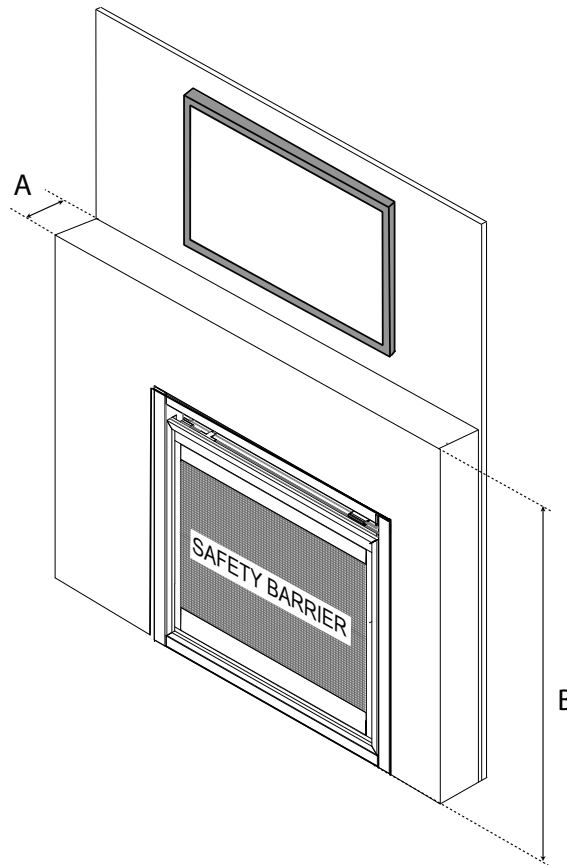
Combustible mantel clearance can vary according to the mantel depth. Use the graph to help evaluate the clearance needed. These same requirements apply to any combustibles protruding on either side of the appliance.



9.5 recessed installation

**! WARNING**

- Installing a television or other electronics above the appliance may cause discolouration, melting, or damage to the electronics. Use clearances as guidelines and refer to your TV manufacturer's instructions for further information



**note:**

Recesses or alcoves above the appliance **must** be made with non-combustible material and regular minimum clearances, as defined for combustible materials, must still be applied.

The minimum enclosure volume must be increased by no less than the volume of the recess. This adjustment can be made by increasing any or all of the height, width and depth of the enclosure.

Installing a mantel between this appliance and electronics or other materials that may be sensitive to heat, will reduce the effect of direct heat on them. Follow mantel height and depth instructions for proper clearance information. Refer to the “minimum mantel clearances” section for detailed mantel clearance information.

**note:**

Installing electronics or other materials that may be sensitive to heat on a recessed wall will also reduce the effect of direct heat.

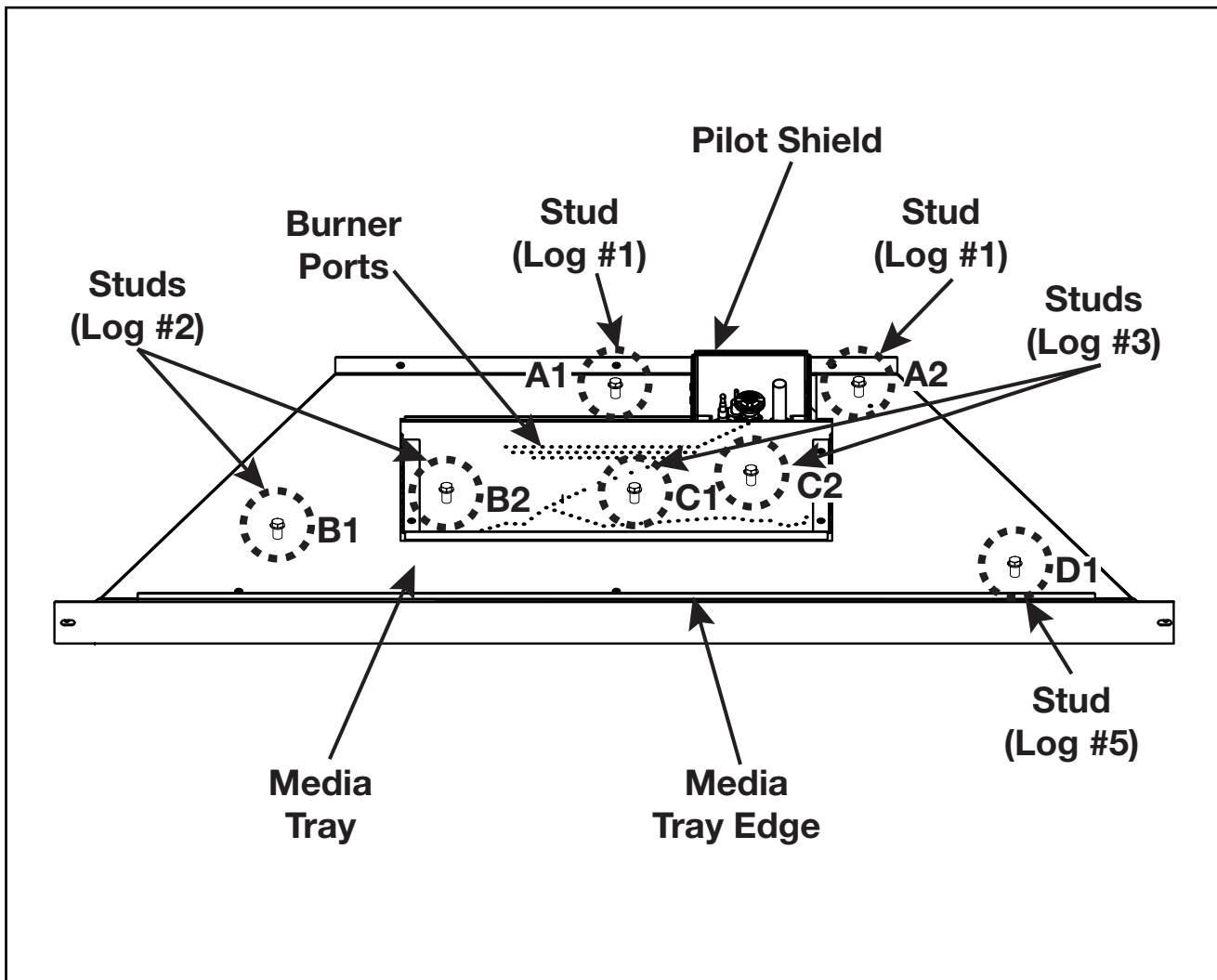
**MINIMUM CLEARANCES CHART**

|          |                              |
|----------|------------------------------|
| <b>A</b> | 6" (152mm) MAX               |
| <b>B</b> | 41" (104.1cm) (REAR VENT)    |
| <b>B</b> | 50 1/2" (128.3cm) (TOP VENT) |

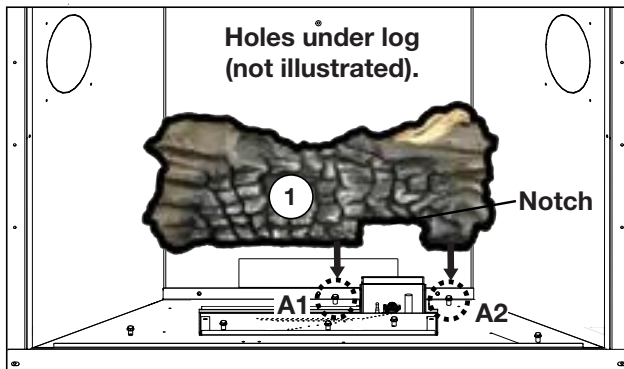
## ! WARNING

- Failure to position the logs in accordance with these diagrams or failure to use only logs specifically approved with this appliance may result in property damage or personal injury.
- Logs must be placed in their exact location in the appliance. Do not modify the proper log positions, since appliance may not function properly and delayed ignition may occur.
- The logs are fragile and should be handled with care.

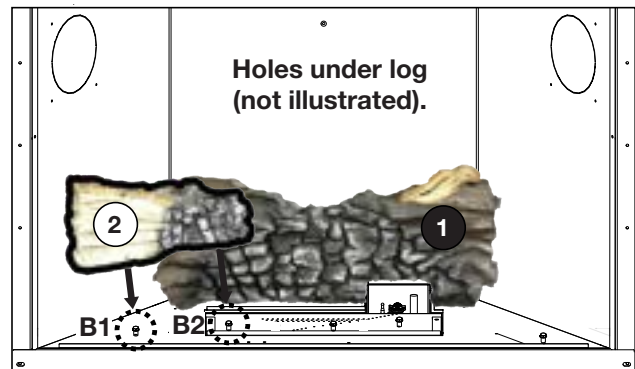
**PHAZER™** logs and glowing embers, exclusive to Napoleon, provide a unique and realistic glowing effect that is different in every installation. Take the time to carefully position the glowing embers for a maximum glowing effect. Log colours may vary. During the initial use of the appliance, the colours will become more uniform as colour pigments burn in during the heat-activated curing process.



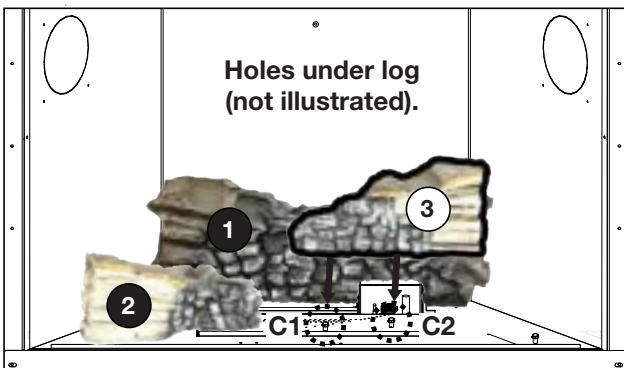
### Burner Overview



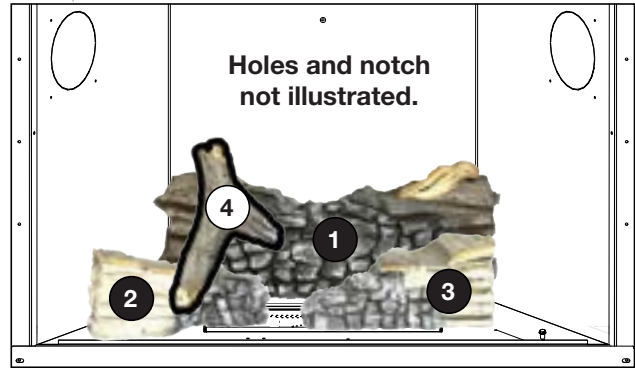
1. Place the holes in log #1 on A1 and A2. Ensure the notch fits around the pilot shield.



2. Place the holes in log #2 on B1 and B2. Do not cover any burner ports.

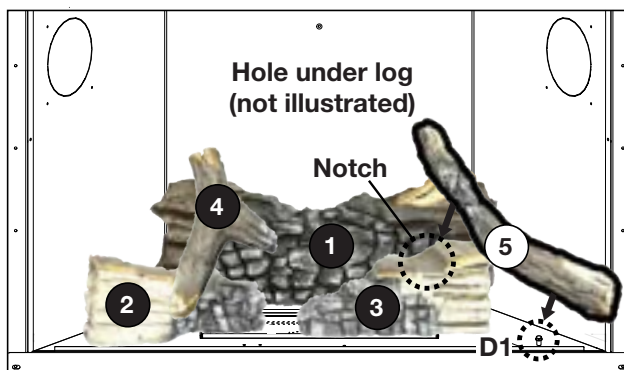


3. Place the holes in log #3 on C1 and C2. Do not cover any burner ports.

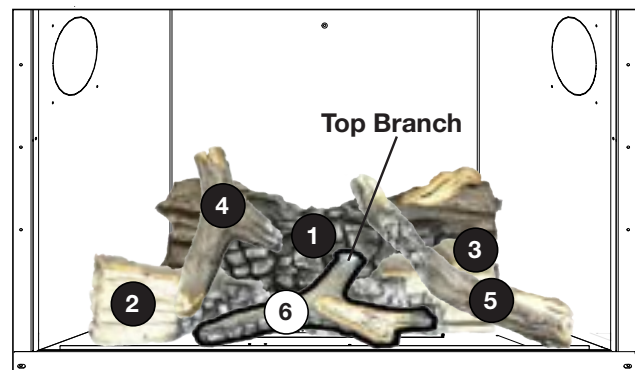


4. Place the locator on log #4 into the hole in log #2. Place the opposite end on the notch in log #1.

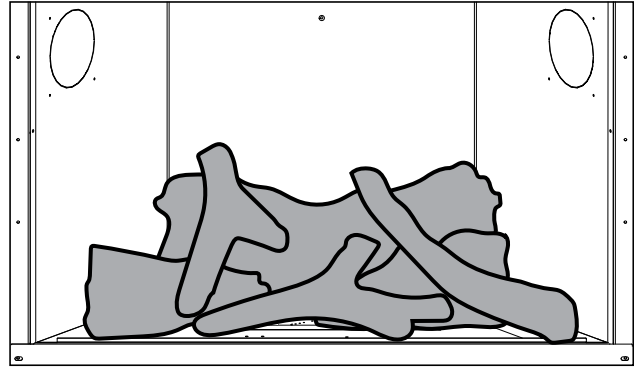
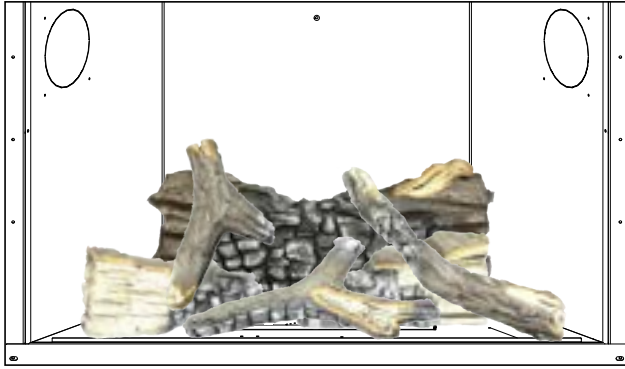
**NOTE:** Place glowing embers on the burner, in front of the large clusters of ports (not illustrated). The burner has been designed to have large flames in these locations. If not, blue flames will be present.



5. Place the hole in log #5 on D1. Place the opposite end on the notch in log #3.



6. Place the bottom of log #6 against the edge of the media tray. Ensure the top branch engages with the left end of log #3.
7. Cover the media tray with charcoal as desired (not illustrated). Ensure charcoal is not on burner pan.

**note:**

When burning, a good indicator that logs are installed correctly is that each flame stands reasonably straight. If a log splits a flame or drastically changes the direction of a flame, review instructions again and/or pivot log out of direct contact.

**9.7 glowing embers****! WARNING**

- Completely blocking the burner ports can cause an incorrect flame pattern, carbon deposits and delayed ignition.

Tear the embers into pieces and loosely layer above the burner ports covering the burner area. Care should be taken to shred the embers into thin, small irregular pieces as only the exposed edges of the fibre hairs will glow.

**The ember material will only glow when exposed to direct flame; however, care should be taken to not block off the burner ports.**

Blocked burner ports can cause an incorrect flame pattern, carbon deposits and delayed ignition. **PHAZER™** logs glow when exposed to direct flame. Use only certified “glowing embers” and **PHAZER™** logs available from your local authorized dealer / distributor.

**9.8 charcoal embers****! WARNING**

- Do not block or close off the burner ports. Blocked ports can cause an incorrect flame pattern, carbon deposits and delayed ignition.
- When supplied, charcoal embers, charcoal lumps and vermiculite are not to be placed on the burner.

Randomly place the charcoal embers along the front and sides of the log support in a realistic manner.

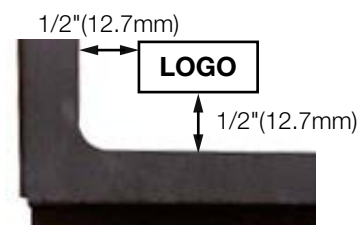
**Fine dust found in the bottom of the bag should not be used.**

**note:**

Charcoal embers are not to be placed on the burner.

**9.9 logo placement**

Remove the backing of the logo supplied and place, as illustrated.



## ⚠ WARNING

- Ensure the appliance is completely cool before starting installation.
- To avoid danger of suffocation, keep the packaging bag away from babies and children. Do not use in cribs, beds, carriages, or play pens. This bag is not a toy. Knot before throwing away.

1. Remove the safety barrier by lifting it up and off the appliance.
2. Remove the door from the appliance by releasing the four latches.

### note:

It may be necessary to move the control module aside during blower installation (electronic only).

3. Attach the two 1/4" connectors (black and white) from the wire harness to the thermodisc.
4. Attach the two 1/4" connectors (black and red) from the wire harness to the blower.
5. Install the clear bumpers (supplied) onto the bottom of the blower to avoid the blower rubbing against the floor of the appliance.
6. Pivot the blower into the bottom of the appliance, ensuring the gasket remains in place between the blower and outer shell while sliding the blower against the left side of the outer shell into the blower mounting tab. Secure in place using one screw (**Fig. 1 and 2**).

### note:

With the zip tie supplied, ensure all wires remain clear of the blower.

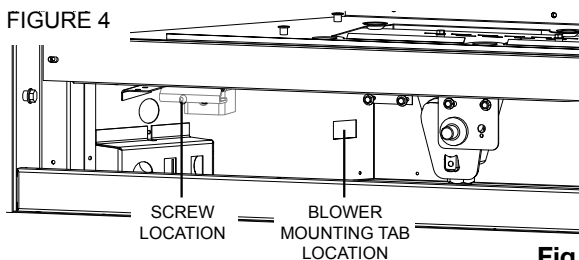


Fig. 1

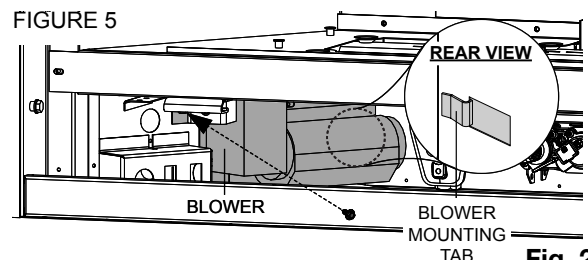


Fig. 2

7. Place the control module back into its original position. Ensure the transformer is plugged into the rear outlet of the electrical box.
8. The variable speed switch (VSS) will need to be disassembled to secure to the VSS bracket for installation. Place the VSS through the mounting bracket using the lock washer to secure it in place. Take the variable speed switch knob and install into position (**Fig. 3**).
9. To install the variable speed switch, the mounting bracket will first need to be installed. Remove the two screws securing the piezo ignitor switch bracket in place. Install the VSS mounting bracket into position then reinstall the two previously removed screws (**Fig. 3**).

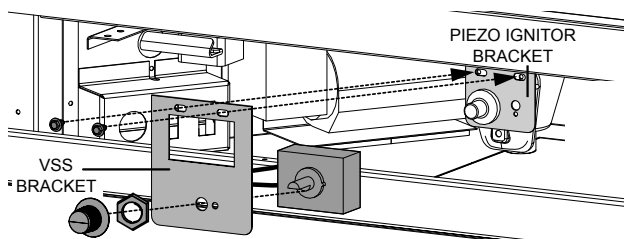


Fig. 3

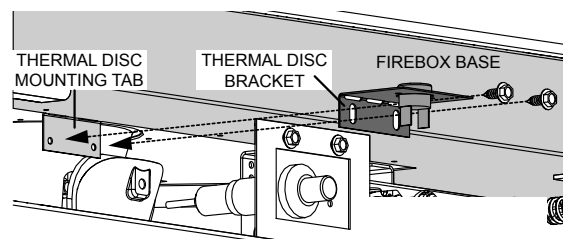


Fig. 4

10. Plug the connector from the variable speed switch to the matching connection of the wire harness.
11. For installation of the thermal disc bracket, bend the tab on the bottom of the firebox 90 degrees. This will be the mounting tab for the thermal disc bracket (**Fig. 4**).
12. Bend the thermal disc bracket 90 degrees and secure it to the firebox mounting tab using the two screws supplied (**Fig. 4**). Ensure that the thermal disc is in contact with the firebox base and that the wire harness is properly attached.
13. Plug the power cord from the blower into the electrical box.

### note:

The blower is thermally activated, so when it is turned on, it will automatically start approximately 15 minutes after lighting the appliance and will run for approximately 30 minutes after the appliance has been turned off.

# 11.0 adjustment

## 11.1 check pressure readings

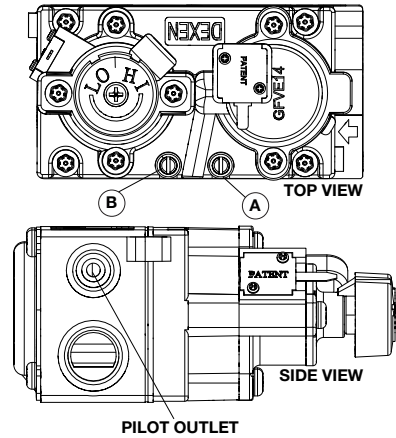
Inlet pressure can be checked by turning screw (A) counter-clockwise 2 or 3 turns and then placing pressure gauge tubing over the test point. Gauge should read as described on the chart below. Check pressure with main burner operating on "HI".

Outlet pressure can be checked the same as above using screw (B). Gauge should read as described on the chart below. Check pressure with main burner operating on "HI".

**After taking pressure readings, be sure to turn screws clockwise firmly to reseal. Do not overtorque.**

Leak test with a soap and water solution.

Prior to pilot adjustment, ensure that the pilot assembly has not been painted. If overspray or painting of the pilot assembly has occurred remove the paint from the pilot assembly, or replace. Fine emery cloth or a synthetic scrub pad (such as Scotch-Brite™) can be used to remove the paint from the pilot hood, electrode and flame sensor.



| Pressure      | Natural Gas<br>(inches) | Natural Gas<br>(millibars) | Propane<br>(inches)  | Propane<br>(millibars)     |
|---------------|-------------------------|----------------------------|----------------------|----------------------------|
| <b>Inlet</b>  | *7"<br>(minimum 4.5")   | 17.4mb<br>(minimum 11.2mb) | 13"<br>(minimum 11") | 32.4mb<br>(minimum 27.4mb) |
| <b>Outlet</b> | 3.5"                    | 8.7mb                      | 10"                  | 24.9mb                     |

**\*Maximum inlet pressure not to exceed 13"**

## 11.2 venturi adjustment

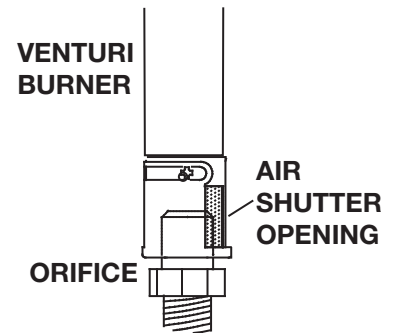
This appliance has an air shutter that has been factory set open according to the chart below:

Regardless of venturi orientation, closing the air shutter will cause a more yellow flame, but can lead to carbonization. Opening the air shutter will cause a more blue flame, but can cause flame lifting from the burner ports. The flame may not appear yellow immediately; allow 15 to 30 minutes for the final flame colour to be established.

**AIR SHUTTER ADJUSTMENT MUST ONLY BE DONE BY A QUALIFIED INSTALLER.**

**note:**

It is important that the orifice is securely inserted into the venturi.

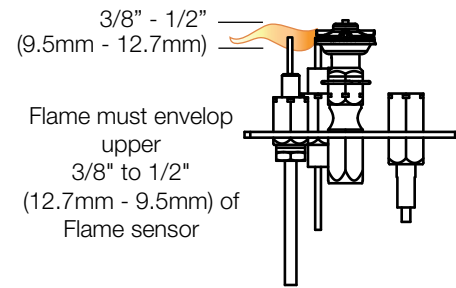
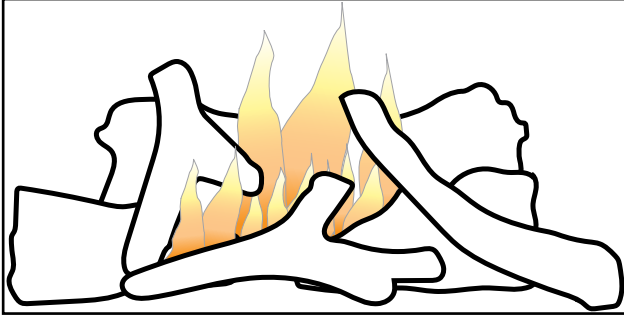


| VENTURI ADJUSTMENT CHART |               |              |
|--------------------------|---------------|--------------|
| FUEL                     | TOP           | REAR         |
| NG                       | 1/16" (1.5mm) |              |
| P                        | 1/4" (6.3mm)  | 3/8" (9.5mm) |



### 11.3 flame characteristics

It's important to periodically perform a visual check of the pilot and burner flames. Compare them to the illustration provided. If any flames appear abnormal, call a service person.



## 12.0 maintenance

### WARNING

- Turn off the gas and electrical power before servicing the appliance.
- Appliance may be hot. Do not service until appliance has cooled.
- Do not use abrasive cleaners on glass.
- Do not paint the pilot assembly.

This appliance and its venting system should be inspected before use and at least annually by a qualified service person. The following suggested checks should be performed by a qualified technician. The appliance area must be kept clear and free of combustible materials, gasoline, or other flammable vapors and liquids. The flow of combustion and ventilation air must not be obstructed.

#### note:

Caution: Label all wires prior to disconnection when servicing controls. Wiring errors can cause improper and dangerous operation. Verify proper operation after servicing.

1. In order to properly clean the burner and pilot assembly, remove the logs, rocks and/or glass to expose both assemblies.
2. Keep the control compartment, media, burner, air shutter opening and the area surrounding the appliance clean by vacuuming or brushing, at least once a year.
3. Check to see that all burner ports are burning. Clean out any of the ports which may not be burning or are not burning properly.
4. Check to see that the pilot flame is large enough to engulf the flame sensor and/or thermocouple / thermopile as well as it reaches the burner.
5. If your appliance is equipped with a safety barrier, cleaning may be necessary due to excessive lint / dust from carpeting, pets, etc. simply vacuum using the brush attachment.
6. If your appliance is equipped with relief doors, ensure the system performs effectively. Check that the gasket is not worn or damaged. Replace if necessary.
7. Replace the cleaned logs, rocks or glass. Failure to properly position the media may cause carboning which can be distributed in the surrounding living area, inside the firebox and on exterior surfaces surrounding vent termination.
8. Check to see that the main burner ignites completely on all ports when turned on. A 5 to 10 second total light-up period is satisfactory. If ignition takes longer, consult your local authorized dealer / distributor.
9. Visually inspect the appliance for carbon build up. Using a small whisk or brush, brush off the carbon and vacuum up or sweep into garbage.
10. **This step is not applicable for Vent Free appliances:** Check to see that the appliance is venting correctly. Ensure chimney system is safe and unobstructed. (If for any reason the vent air intake system is disassembled, re-install and re-seal per the instructions provided for the initial installation).

### 12.1 annual maintenance

### WARNING

- Annual maintenance should be performed by a qualified service technician
- The firebox becomes very hot during operation. Let the appliance cool completely or wear heat resistant gloves before conducting service.
- Never vacuum hot embers.
- Do not paint the pilot assembly

- This appliance will require maintenance which should be planned on an annual basis.
- Service should include cleaning, battery replacement, venting inspection and inspection of the burner, media, and firebox. Refer to the door removal section and remove the door as instructed.
- Carefully remove media if necessary (logs, glass, brick panels, etc.).
- Using a vacuum with soft brush attachment, gently remove any dirt, debris, or carbon build up from the logs, firebox, and burner. For glass media, follow the installation instructions for pre-cleaning.
- Gently remove any build-up on the pilot assembly including thermopile, thermocouple, flame sensor, and igniter (if equipped).

**note:**

Clean flame sensor using a fine emery cloth or a synthetic scrub pad (such as Scotch-Brite™) to remove any oxides. Clean the pilot assembly using a vacuum with a soft brush attachment. It is important that the pilot assembly is not painted.

- Inspect all accessible gaskets and replace as required.
- If equipped with a blower, access the blower and clean using a soft brush and vacuum.
- Re-assemble the various components in reverse order.
- Inspect the relief system. The appliance relieves through the main glass door or through the flaps on the firebox top. Ensure they open freely, and close sealed.
- Check the gas control valve pilot and Hi / Lo knobs move freely, if equipped. Replace if any stiffness in movement is experienced.
- Check for gas leaks on all gas connections up and downstream from the gas valve including pilot tube connections.

## 12.2 door glass replacement

### **WARNING**

- Do not use substitute materials.
- Glass may be hot. Do not touch glass until cooled.
- Care must be taken when removing and disposing of any broken door glass or damaged components. Be sure to vacuum up any broken glass from inside appliance before operation.
- Do not strike, slam, or scratch. Do not operate appliance with glass removed, cracked, broken, or scratched.

Replacement glass/frame assembly shall be replaced as a complete unit as supplied by the appliance manufacturer.

## 12.3 care of glass

### **WARNING**

- Do not clean glass when hot! Do not use abrasive cleaners to clean glass.

Buff lightly with a clean dry soft cloth to remove accumulated dust or fingerprints. Clean both sides of the glass after the first 10 hours of operation with an ammonia-free glass cleaner.

**note:**

Vinegar-based glass cleaners have demonstrated an ability to provide a clean, streak free glass surface.

Thereafter, clean as required. If the glass is not kept clean permanent discoloration and / or blemishes may result. Contact you local authorized dealer / distributor for complete cleaning instructions.

Razor blades, steel wool, or other metallic objects must not be used on both surfaces of the glass. Doing so can remove a thin layer of metal from the razor blades, steel wool, or other metallic objects that may then be deposited onto the coating. This can result in a discoloured stain or scratch-like mark. More importantly, this can scratch the glass surface, thereby reducing its strength.

Do not operate the appliance with broken glass, as leakage of flue gases may result.

Contact your local authorized dealer / distributor for complete cleaning instructions.

If the glass should ever crack or break while the fire is burning, do not open the door until the fire is out. Do not operate the appliance until the glass has been replaced. Contact you local authorized dealer / distributor for replacement parts. **DO NOT SUBSTITUTE MATERIALS.**

This appliance is factory equipped with 4mm tempered glass. Use only replacement parts as supplied by the appliance manufacturer. **DO NOT SUBSTITUTE MATERIALS.**

## 13.0 replacement parts

### WARNING

- Failure to position the parts in accordance with this manual or failure to use only parts specifically approved with this appliance may result in property damage or personal injury.

Contact your dealer for questions concerning prices and policies on replacement parts. Normally, all parts can be ordered through your Authorized dealer / distributor.

**For warranty replacement parts, a photocopy of the original invoice will be required to honour the claim.**

When ordering replacement parts always give the following information:

- Model & Serial Number of appliance
- Installation date of appliance
- Part number
- Description of part
- Finish

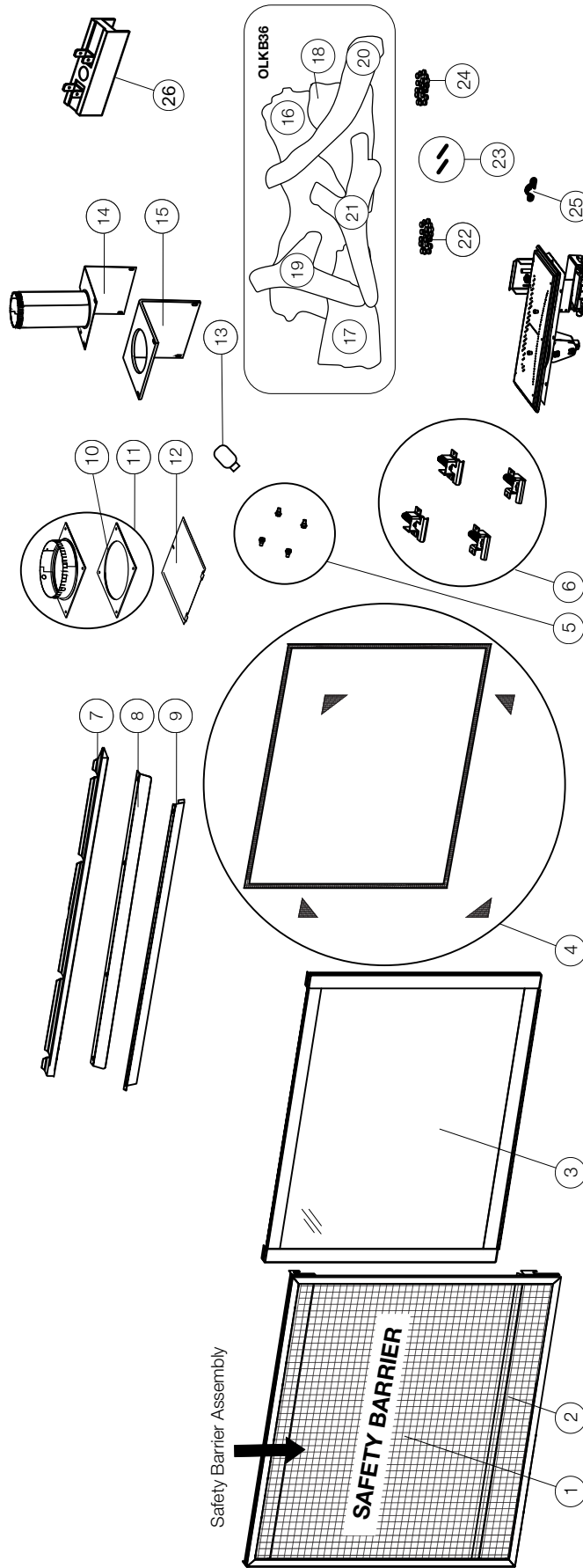
**Parts, part numbers, and availability are subject to change without notice.**

**Parts identified as stocked will be delivered within 2 to 5 business days for most delivery destinations.**

**Parts not identified as stocked will be delivered within a 2 to 4 week period, for most cases.**

**Parts identified as 'SO' are special order and can take up to 90 days for delivery.**

13.1 overview



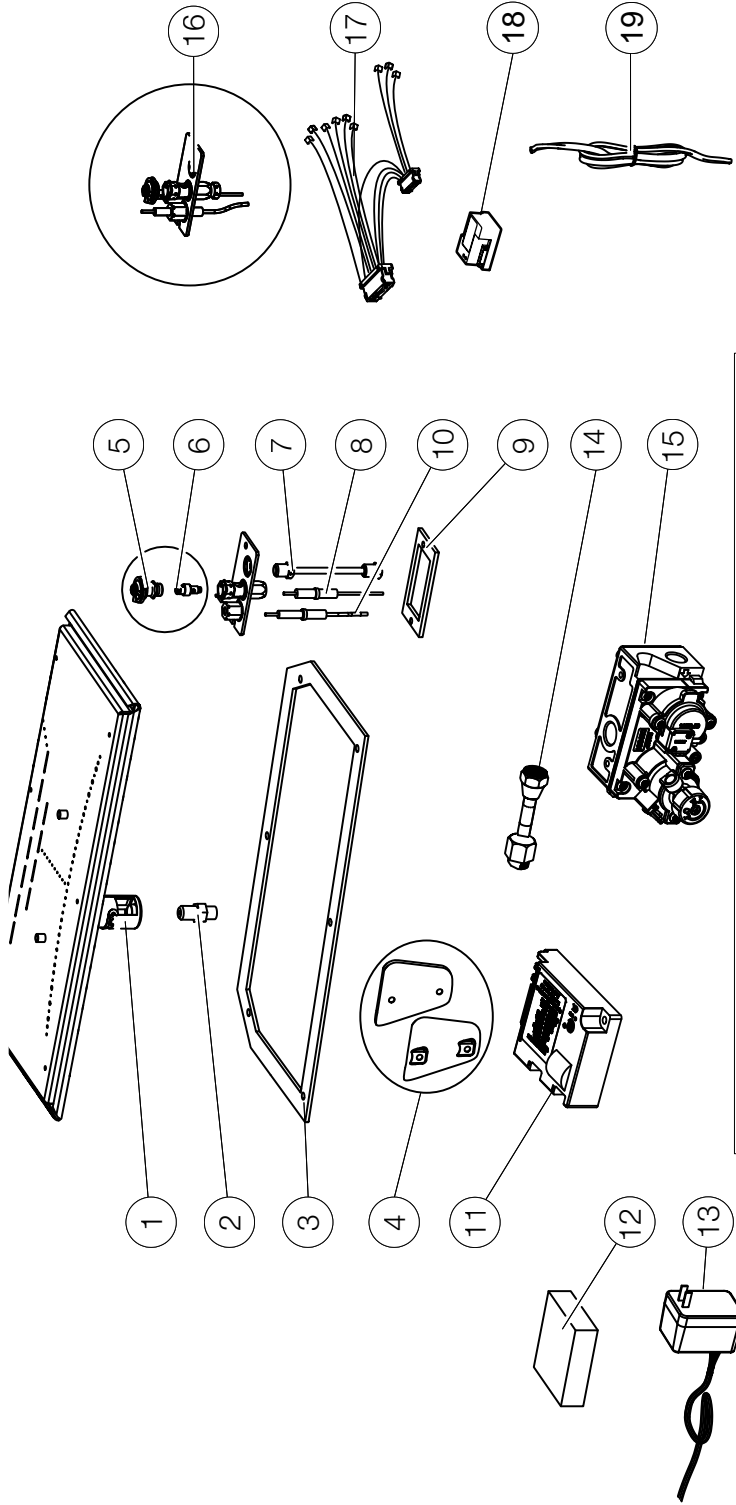
For replacement parts, refer to "valve train assembly" sections.

ITEMS MAY NOT APPEAR EXACTLY AS ILLUSTRATED

| REF. NO | PART NUMBER   | DESCRIPTION                   | STOCKED |
|---------|---------------|-------------------------------|---------|
| 14      | W010-3490-SER | Exhaust Collar Assembly       |         |
| 15      | W290-0282     | Exhaust Bracket Gasket        |         |
| 16      | W135-0930     | Log #1, Rear                  |         |
| 17      | W135-0931     | Log #2, Left Middle           |         |
| 18      | W135-0932     | Log #3, Right Middle          |         |
| 19      | W135-0932     | Log #4, Left Crossover        |         |
| 20      | W135-0934     | Log #5, Right Crossover       |         |
| 21      | W135-0935     | Log #6, Right Front Crossover |         |
| 22      | W361-0016     | Glowing Embers                | Yes     |
| 23      | W485-0042     | Log Location Pin (x2)         | Yes     |
| 24      | W550-0001     | Charcoal Embers               | Yes     |
| 25      | W385-2010     | Napoleon Logo                 |         |
| 26      | W060-0019     | Terminal Block                |         |

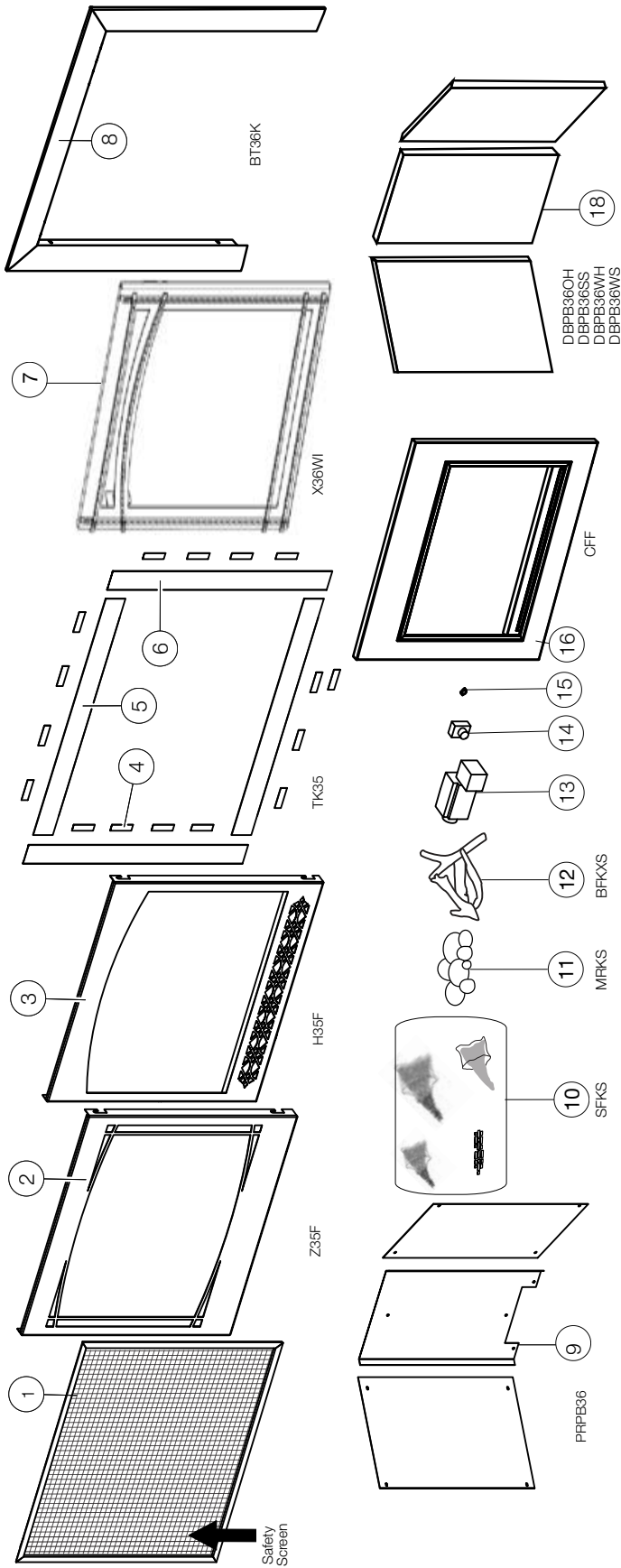
| REF. NO | PART NUMBER   | DESCRIPTION             | STOCKED |
|---------|---------------|-------------------------|---------|
| 1       | W565-0209-SER | Safety Barrier          |         |
| 2       | W010-3072-SER | Safety Barrier Assembly |         |
| 3       | W010-3068-SER | Complete Door Assembly  | Yes     |
| 4       | W562-0068     | Door Gasket Assembly    | Yes     |
| 5       | W570-0135     | Shoulder Screws         | Yes     |
| 6       | W010-3554     | Door Latch              |         |
| 7       | W715-1040-SER | Top Finishing Trim      |         |
| 8       | W335-0063-SER | Hood                    |         |
| 9       | W018-0158-SER | Front Baffle            |         |
| 10      | W290-0054     | 7" Flange Gasket        | Yes     |
| 11      | W010-3489-SER | 7" Air Collar Assembly  |         |
| 12      | W500-0837     | Vent Cover Plate        |         |
| 13      | RP4           | 4" Restrictor Plate     |         |

13.2 valve train assembly



Items may not appear exactly as illustrated.

| Ref. No. | Part Number   | Description              | Stocked |
|----------|---------------|--------------------------|---------|
| 1        | W100-0283-SER | Burner Assembly          | Yes     |
| 2        | W456-0047     | Burner Orifice #47 (NG)  | Yes     |
| 2        | W456-0056     | Burner Orifice #56 (P)   | Yes     |
| 3        | W290-0248     | Valve Train Gasket       |         |
| 4        | W500-0276-SER | Venturi Cover Assembly   |         |
| 5        | W335-0039     | Pilot Hood               | Yes     |
| 6        | W455-0070     | Pilot Orifice #62 (NG)   | Yes     |
| 6        | W455-0068     | Pilot Orifice #35 (P)    | Yes     |
| 7        | W720-0062     | Pilot Tube (w/ Fittings) | Yes     |
| 8        | W240-0013     | Electrode (w/ Wire)      | Yes     |
| 9        | W290-0029     | Pilot Gasket             | Yes     |
| 10       | W245-0025     | Thermosensor             | Yes     |
| 11       | W190-0135     | Control Board            | Yes     |
| 12       | W350-0342     | Battery Housing          | Yes     |
| 13       | W707-0002     | Power cord wire (18")    | Yes     |
| 14       | W432-0078     | Manifold Flex Pipe       | Yes     |
| 15       | W725-0104     | Valve (NG)               | Yes     |
| 15       | W725-0105     | Valve (P)                | Yes     |
| 16       | W010-2863     | Pilot Assembly (NG)      | Yes     |
| 16       | W010-2900     | Pilot Assembly (P)       | Yes     |
| 17       | W750-0463     | Wire harness (control)   |         |
| 18       | W190-0044     | Control relay            |         |
| 19       | W750-0193     | Wire switch              |         |



Items may not appear exactly as illustrated.

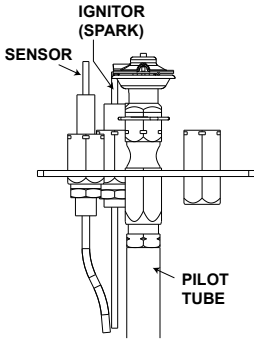
| Ref. No. | Part Number   | Description                                      | Stocked |
|----------|---------------|--|---------|
| 1        | W565-0209-SER | Safety Screen (Z35F & H35F)                      |         |
| 2        | W010-3275     | Black Zen Decorative Safety Barrier (Z35F)       |         |
| 3        | W010-3124     | Black Heritage Decorative Safety Barrier (H35F)  |         |
| 4        | W430-0003     | Magnet (X16) (TK35)                              |         |
| 5        | W715-0953     | Top / Bottom Trim (X2) (TK35)                    |         |
| 6        | W715-0952     | Side Trim (X2) (TK35)                            |         |
| 7        | X36WI         | Wrought Iron Decorative Surround                 |         |
| 8        | BT36K         | Black 3" Premium Bevelled Trim Kit               |         |
| 9        | PRPB36        | Porcelain Reflective Radiant Panels              |         |
| 10       | SFKS          | Shore Fire Kit                                   | Yes     |
| 11       | MRKS          | Mineral Rock Kit                                 | Yes     |
| 12       | BRXS          | Beach Fire Kit                                   | Yes     |
| 13       | AUB           | Blower   | Yes     |
| 14       | KB-35         | Variable Speed Switch                            | Yes     |
| 15       | W690-0002     | Thermodisc                                       | Yes     |
| 16       | CFF           | Matte Black Clean Face Decorative Surround       |         |
| 17*      | RR36          | Support Bracket for Media Kits                   |         |
| 18       | DBPB36OH      | Decorative Brick Panels, Old Town Herringbone    |         |
| 18       | DBPB36SS      | Decorative Brick Panels, Sandstone Standard      |         |
| 18       | DBPB36WH      | Decorative Brick Panels, Westminster Herringbone |         |
| 18       | DBPB36WS      | Decorative Brick Panels, Westminster Standard    |         |

\* Parts not illustrated.

# 15.0 troubleshooting

## ! WARNING

- Always light the pilot whether for the first time or if the gas supply has run out, with the glass door open or removed.
- Turn off gas and electrical power before servicing the appliance.
- Appliance may be hot. Do not service until appliance has cooled.
- Do not use abrasive cleaners

| symptom   | problem   | test solution   |                      |                            |                         |                  |                     |       |                       |                            |                      |                            |        |      |       |     |        |
|---|---|---|----------------------|----------------------------|-------------------------|------------------|---------------------|-------|-----------------------|----------------------------|----------------------|----------------------------|--------|------|-------|-----|--------|
| Main burner flame is a blue, lazy, transparent flame.<br><br>(This is not applicable in outdoor appliances)   | Blockage in vent.<br><br>Incorrect installation.  | - Remove blockage. In really cold conditions, ice buildup may occur on the terminal and should be removed as required. (To minimize this from reoccurring, the vent lengths that pass through unheated spaces (attics, garages, crawl spaces) should be wrapped with an insulated mylar sleeve).<br><br>- Refer to "venting" section to ensure correct installation.  |                      |                            |                         |                  |                     |       |                       |                            |                      |                            |        |      |       |     |        |
| Flames are consistently too large or too small.<br>Carboning occurs.  | Appliance is over-fired or under-fired.   | - <b>Check pressure readings:</b><br>Inlet pressure can be checked by turning screw (A) counter-clockwise 2 or 3 turns and then placing pressure gauge tubing over the test point. Gauge should read as described on the chart below. Check that main burner is operating on 'HI'. Outlet pressure can be checked the same as above using screw (B). Gauge should read as described on the chart below. Check that main burner is operating on 'HI'. <b>After taking pressure readings, be sure to turn screws clockwise firmly to reseal. DO NOT OVER TORQUE.</b><br>Leak test with a soap and water solution. |                      |                            |                         |                  |                     |       |                       |                            |                      |                            |        |      |       |     |        |
|   |   |   |                      |                            |                         |                  |                     |       |                       |                            |                      |                            |        |      |       |     |        |
| <table border="1"> <thead> <tr> <th>Pressure</th> <th>Natural Gas (inches)</th> <th>Natural Gas (millibars)</th> <th>Propane (inches)</th> <th>Propane (millibars)</th> </tr> </thead> <tbody> <tr> <td>Inlet</td> <td>*7"<br/>(minimum 4.5")</td> <td>17.4mb<br/>(minimum 11.2mb)</td> <td>13"<br/>(minimum 11")</td> <td>32.4mb<br/>(minimum 27.4mb)</td> </tr> <tr> <td>Outlet</td> <td>3.5"</td> <td>8.7mb</td> <td>10"</td> <td>24.9mb</td> </tr> </tbody> </table> <p style="text-align: center;"><b>*Maximum inlet pressure not to exceed 13" w.c.</b></p> |   |   | Pressure             | Natural Gas (inches)       | Natural Gas (millibars) | Propane (inches) | Propane (millibars) | Inlet | *7"<br>(minimum 4.5") | 17.4mb<br>(minimum 11.2mb) | 13"<br>(minimum 11") | 32.4mb<br>(minimum 27.4mb) | Outlet | 3.5" | 8.7mb | 10" | 24.9mb |
| Pressure  | Natural Gas (inches)  | Natural Gas (millibars)   | Propane (inches)     | Propane (millibars)        |                         |                  |                     |       |                       |                            |                      |                            |        |      |       |     |        |
| Inlet   | *7"<br>(minimum 4.5")   | 17.4mb<br>(minimum 11.2mb)  | 13"<br>(minimum 11") | 32.4mb<br>(minimum 27.4mb) |                         |                  |                     |       |                       |                            |                      |                            |        |      |       |     |        |
| Outlet  | 3.5"  | 8.7mb   | 10"                  | 24.9mb                     |                         |                  |                     |       |                       |                            |                      |                            |        |      |       |     |        |
|   | Air shutter improperly adjusted.  | - Return air shutter to specified opening, see " <b>venturi adjustments</b> " section in the installation manual.   |                      |                            |                         |                  |                     |       |                       |                            |                      |                            |        |      |       |     |        |
| Carbon is being deposited on glass, logs, rocks, media, or combustion chamber surfaces.   | Air shutter is blocked.<br><br>Flame is impinging on the glass, logs, rocks, media or combustion chamber. | - Ensure air shutter opening is free of lint or other obstructions.<br><br>- Ensure the media is positioned correctly in the appliance.<br>- Open air shutter to increase the primary air.<br>- Check the input rate: check the manifold pressure and orifice size as specified by the rating plate.<br>- Ensure door gaskets are not broken or missing and the seal is tight.<br>- Ensure vent liners are free of holes and well sealed at all joints.<br>- Check that minimum rise per foot (meters) has been adhered to for any horizontal venting.  |                      |                            |                         |                  |                     |       |                       |                            |                      |                            |        |      |       |     |        |
| White / grey film forms.  | Sulphur from fuel is being deposited on glass, logs, or combustion chamber surfaces.                      | - Clean the glass with a recommended gas fireplace glass cleaner. <b>DO NOT CLEAN GLASS WHEN HOT.</b><br>- If deposits are not cleaned off regularly, the glass may become permanently marked.  |                      |                            |                         |                  |                     |       |                       |                            |                      |                            |        |      |       |     |        |
| Exhaust fumes smelled in room, headaches.<br>(This is not applicable in outdoor appliances).  | Appliance is spilling.  | - Check door seal.<br>- Check for exhaust damage.<br>- Check that venting is installed correctly.<br>- Room is in negative pressure; increase fresh air supply.   |                      |                            |                         |                  |                     |       |                       |                            |                      |                            |        |      |       |     |        |



| symptom  | problem  | test solution   |
|--|--|---|
| Pilot will not light. Makes noise with no spark at pilot burner.           | Wiring: short, loose, or damaged connections (poor flame rectification). | <ul style="list-style-type: none"> <li>- Verify the thermocouple/sensor is clean and the wiring is undamaged.</li> <li>- Verify the interrupter block is not damaged or too tight. Verify connections from pilot assembly are tight; also verify the connections are not grounding out to any metal. (Remember, the flame carries the rectification current, not the gas. If flame lifts from pilot hood, the circuit is broken. A wrong orifice or too high of an inlet pressure can cause the pilot flame to lift)*. The sensor rod may need cleaning.</li> </ul> |
|  | No signal from remote with no pilot ignition.                            | <ul style="list-style-type: none"> <li>- Reprogram receiver code.</li> <li>- Replace receiver.</li> </ul>   |
|  | Poor grounding.  | <ul style="list-style-type: none"> <li>- Verify the valve / pilot assembly are properly grounded</li> </ul>   |
|  | Improper switch wiring.  | <ul style="list-style-type: none"> <li>- Troubleshoot the system with the simplest <b>on/off</b> switch.</li> </ul>   |
|  | Dirty, painted, or damaged pilot and/or dirty sensor rod.                | <ul style="list-style-type: none"> <li>- Clean sensor rod with a green Scotch-Brite™ pad to remove any contamination that may have accumulated. Verify continuity with multimeter with ohms set at the lowest range.</li> </ul>   |
| Pilot sparks but will not light.   | Gas supply.  | <ul style="list-style-type: none"> <li>- Verify that the incoming gas line ball valve is “open”.</li> <li>- Verify that the inlet pressure reading is within acceptable limits, inlet pressures must not exceed 13” W.C. (32.4mb).</li> </ul>   |
|  | Out of propane gas.  | <ul style="list-style-type: none"> <li>- Fill the tank.</li> </ul>  |
|  | Pilot supply line may contain air.                                       | <ul style="list-style-type: none"> <li>- Repeat ignition process several times or purge the pilot supply line.</li> </ul>   |
|  | Incorrect wiring / grounding.  | <ul style="list-style-type: none"> <li>- Ensure correct polarity of wiring of thermocouple (if equipped).</li> <li>- Verify pilot assembly / valve are properly grounded.</li> </ul>  |
|  | Receiver (if equipped).  | <ul style="list-style-type: none"> <li>- Reset program: hold reset button on receiver and wait for 2 beeps. Release after second beep. Press small flame button on remote within 20 seconds, you will hear an additional beep (this signals a successful reset).</li> <li>- Replace receiver.</li> </ul>  |
|  | Valve.   | <ul style="list-style-type: none"> <li>- Check valve and replace if necessary (Do not to overtighten thermocouple).</li> </ul>  |
| Burner continues to spark and pilot lights but main burner does not light. | Short or loose connection in sensor rod.                                 | <ul style="list-style-type: none"> <li>- Verify all connections. Verify the connections from the pilot assembly are tight. Also, verify these connections are not grounding out to any metal.</li> </ul>  |
|  | Dirty, painted, or damaged pilot assembly components.                    | <ul style="list-style-type: none"> <li>- Clean using a green Scotch-Brite™ pad to remove any contamination that may have accumulated on the sensor rod, pilot hood, ignitor, or flame sensor. Verify continuity with multimeter with ohms set at the lowest range.</li> </ul>   |
| Remote wall switch is in “off” position; burner comes on.                  | Wall switch mounted upside down.   | <ul style="list-style-type: none"> <li>- Reverse.</li> </ul>  |
|  | Remote wall switch and/or wire is grounding.                             | <ul style="list-style-type: none"> <li>- Replace.</li> <li>- Check for ground (short); repair ground or replace wire.</li> </ul>  |
|  | Faulty wire  | <ul style="list-style-type: none"> <li>- Replace.</li> </ul>  |
| Remote and / or receiver is not functioning properly.                      | Remote controls lights but no spark or flame. (Remote is locked out).    | <ul style="list-style-type: none"> <li>- Reset by turning power source off then on.</li> </ul> <div style="border: 1px solid black; padding: 5px; margin-top: 5px;"> <p><b>note:</b><br/>If back up batteries are installed, they must also be removed to re-program</p> </div>   |
|  | Receiver or remote has low battery.                                      | <ul style="list-style-type: none"> <li>- Replace batteries.</li> </ul>  |
|  | Appliance functions but does not respond to receiver / remote            | <ul style="list-style-type: none"> <li>- Ensure appliance is being operated by the same device that turned it on. Remote controls function if appliance was turned on by remote. Receiver controls function if appliance was turned on by receiver.</li> </ul>  |
|  | Error with synchronizing.  | <ul style="list-style-type: none"> <li>- Reset receiver and remote.</li> </ul>  |
|  | Remote too far away from receiver.                                       | <ul style="list-style-type: none"> <li>- Refer to “wiring diagram” section.</li> </ul>  |
|  | Wire connector pins are bent.  | <ul style="list-style-type: none"> <li>- Straighten pins.</li> </ul>  |
|  | Valve wiring is damaged.   | <ul style="list-style-type: none"> <li>- Replace valve.</li> </ul>  |

| symptom  | problem  | test solution  |
|--|--|--|
| Lights or blower won't function (if equipped). | Control module switch in wrong position.         | - Verify ON/OFF switch is in the "I" position which denotes on.  |
|  | COM switch is unplugged.                         | - Verify "COM" switch is plugged into the front of the control module.   |
| Flames are very aggressive.                    | Door is ajar.                                    | - Ensure door is secured properly.   |
|  | Venting action is too great.                     | - Check to ensure venting is properly sealed or restrict vent exit with restrictor plate. (Not available in all appliances). |
| Appliance won't perform any functions.         | No power to the system.                          | - Check breaker to verify it's in the "on" position.   |
|  | Receiver switch in wrong position (if equipped). | - Verify that the 3 position switch on the receiver is in the remote position (middle).                                      |
|  | Transmitter isn't operational.                   | - Check battery power and battery orientation.   |

Napoleon products are manufactured under the strict Standard of the world recognized ISO 9001 : 2015 Quality Management System.

Napoleon products are designed with superior components and materials assembled by trained craftsmen who take great pride in their work. The burner and valve assembly are leak and test-fired at a quality test station. The complete appliance is again thoroughly inspected by a qualified technician before packaging to ensure that you, the customer, receive the quality product that you expect from Napoleon.

### **Napoleon Gas Appliance President's Lifetime Limited Warranty**

The following materials and workmanship in your new Napoleon gas appliance are warranted against defects for as long as you own the appliance. This covers: combustion chamber, heat exchanger, stainless / steel burner, Phazer™ logs and embers, rocks, ceramic glass (thermal breakage only), gold plated parts against tarnishing, porcelainized enameled components and aluminum extrusion trims.\*

Electrical (110V and millivolt) components and wearable parts are covered and Napoleon will provide replacement parts free of charge during the first year of the limited warranty. This covers: blowers, gas valves, thermal switches, switches, wiring, remote controls, ignitors, gaskets and pilot assemblies.\*

Labour related to warranty repair is covered free of charge during the first year (labour warranty is not applicable for the Gas Log Sets). Repair work, however, requires the prior approval of an authorized company official. Labour costs to the account of Napoleon are based on a predetermined rate schedule and any repair work must be done through an authorized Napoleon dealer.

\* Construction of models vary. Warranty applies only to components included with your specific appliance.

### **Conditions and Limitations**

Napoleon warrants its products against manufacturing defects to the original purchaser only. Registering your warranty is not necessary. Simply provide your proof of purchase along with the model and serial number to make a warranty claim. Napoleon reserves the right to have its representative inspect any product or part thereof prior to honouring any warranty claim. Provided that the purchase was made through an authorized Napoleon dealer your appliance is subject to the following conditions and limitations:

Warranty coverage begins on the date of original installation. This factory warranty is non-transferable and may not be extended whatsoever by any of our representatives. The gas appliance must be installed by a licensed, authorized service technician or contractor qualified and authorized installer, service agency or supplier. Installation must be done in accordance with the installation instructions included with the product and all local and national building and fire codes. This limited warranty does not cover damages caused by misuse, lack of maintenance, accident, alterations, abuse or neglect, and parts installed from other manufacturers will nullify this warranty. This limited warranty further does not cover any scratches, dents, corrosion or discoloring caused by excessive heat, abrasive and chemical cleaners nor chipping on porcelain enamel parts, mechanical breakage of Phazer™ logs and embers. This warranty extends to the repair or replacement of warranted parts which are defective in material or workmanship provided that the product has been operated in accordance with the operation instructions and under normal conditions. After the first year, with respect to this President's Lifetime Limited Warranty, Napoleon may, at its discretion, fully discharge all obligations with respect to this warranty by refunding to the original warranted purchaser the wholesale price of any warranted but defective part(s).

After the first year, Napoleon will not be responsible for installation, labour, or any other expenses related to the reinstallation of a warranted part and such expenses are not covered by this warranty. Notwithstanding any provisions contained in the President's Lifetime Limited Warranty, Napoleon's responsibility under this warranty is defined as above and it shall not in any event extend to any incidental, consequential or indirect damages. This warranty defines the obligations and liability of Napoleon with respect to the Napoleon gas appliance and any other warranties expressed or implied with respect to this product, its components or accessories are excluded. Napoleon neither assumes, nor authorizes any third party to assume, on its behalf, any other liabilities with respect to the sale of this product. Napoleon will not be responsible for: over-firing, downdrafts, spillage caused by environmental conditions such as rooftops, buildings, nearby trees, hills, mountains, inadequate vents or ventilation, excessive venting configurations, insufficient makeup air, or negative air pressures which may or may not be caused by mechanical systems such as exhaust fans, furnaces, clothes dryers, etc. Any damages to the appliance, combustion chamber, heat exchanger, plated trim or other components due to water, weather damage, long periods of dampness, condensation, damaging chemicals or cleaners will not be the responsibility of Napoleon.

During the first 10 years Napoleon will replace or repair the defective parts covered by the lifetime warranty at our discretion free of charge. From 10 years to life, Napoleon will provide replacement parts at 50% of the current retail price. The manufacturer may require that defective parts or products be returned or that digital pictures be provided to support the claim. Returned products are to be shipped prepaid to the manufacturer for investigation. If a product is found to be defective, the manufacturer will repair or replace such defect. Before shipping your appliance or defective components, your dealer must obtain an authorization number. Any merchandise shipped without authorization will be refused and returned to sender. Shipping costs are not covered under this warranty. Additional service fees may apply if you are seeking warranty service from a dealer. Warranty labour allowance is only for the replacement of the warranted part. Travel, diagnostic tests, shipping and other related charges are not covered by this warranty.

All specifications and designed are subject to change without prior notice due to on-going product improvements. Napoleon is a registered trademark of Wolf Steel Ltd.

# NAPOLEON CELEBRATING OVER 40 YEARS OF HOME COMFORT PRODUCTS



7200, Route Transcanadienne, Montréal, Québec H4T 1A3  
24 Napoleon Road, Barrie, Ontario, Canada L4M 0G8  
214 Bayview Drive, Barrie, Ontario, Canada L4N 4Y8  
103 Miller Drive, Crittenden, Kentucky, USA 41030  
De Riemsdijk 22, 4004 LC Tiel, The Netherlands

Phone: 1-866-820-8686  
[napoleon.com](http://napoleon.com)



# MANUEL D'INSTALLATION ET D'OPÉRATION

## Ascent<sup>MD</sup> 36-1

### CONSIGNES DE SÉCURITÉ

#### **! AVERTISSEMENT**

##### **RISQUE D'INCENDIE OU D'EXPLOSION**

Incapacité à suivre ces avertissements exactement peuvent entraîner de grave blessures, des pertes de vie ou des dommages matériels.

- N'entreposez pas et n'utilisez pas d'essence ou autres liquides et vapeurs inflammables à proximité de cet appareil ou tout autre appareil.

##### **- QUE FAIRE SI VOUS DÉTECTEZ UN ODEUR DE GAZ:**

- N'allumez aucun appareil.
- Ne touchez à aucun interrupteur électrique; n'utilisez aucun téléphone dans votre immeuble.
- Appelez immédiatement votre fournisseur de gaz d'un téléphone voisin. Suivez ses instructions.
- Si vous ne pouvez pas rejoindre votre fournisseur de gaz, appelez le service des incendies.

- L'installation et l'entretien doivent être faits par un installateur qualifié, une agence d'entretien ou le fournisseur.

Cet appareil peut être installé dans une maison préfabriquée (mobile) déjà installée à demeure si les règlements locaux le permettent.

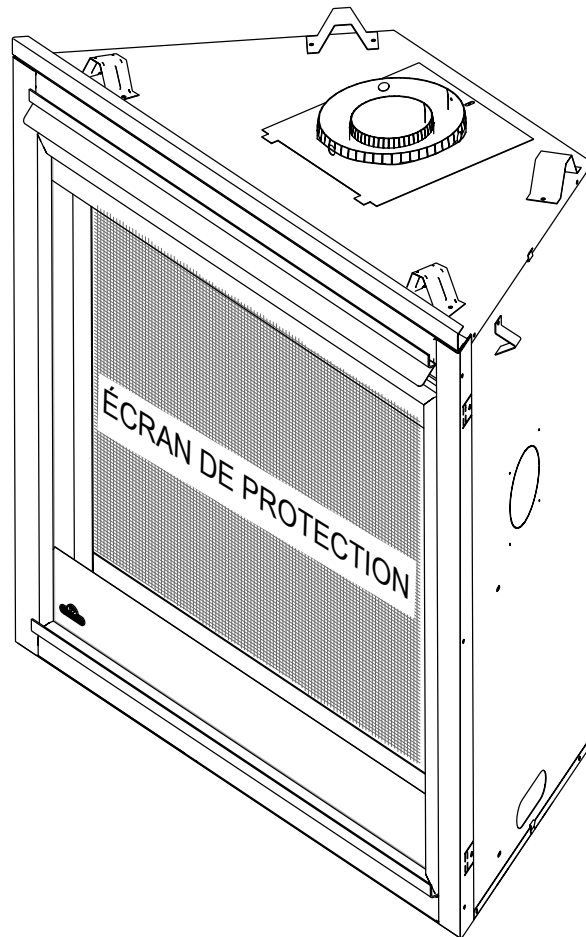
Cet appareil doit être utilisé uniquement avec le type de gaz indiqué sur la plaque d'homologation. Cet appareil ne peut être converti à d'autres gaz, sauf si une trousse de conversion est utilisée.

#### **INSTALLATEUR:**

Laissez ce manuel avec l'appareil

#### **PROPRIÉTAIRE:**

Conservez ce manuel pour consultation ultérieure



### **POUR USAGE INTÉRIEUR SEULEMENT**

**CERTIFIÉ SELON LES NORMES NATIONALES CANADIENNES ET AMÉRICAINES:  
CSA 2.22 ET ANSI Z21.50 POUR LES APPAREILS À GAZ DÉCORATIF À ÉVACUATION**



## AVERTISSEMENT

- **Cet appareil est chaud lorsqu'il fonctionne et peut causer de graves brûlures en cas de contact.**
- **Toute modification apportée à cet appareil ou aux contrôles peut être dangereuse et est interdit.**
- Ne faites pas fonctionner l'appareil avant d'avoir lu et compris les instructions d'opération. Omettre d'utiliser l'appareil selon les instructions d'opération pourrait causer un incendie ou des blessures.
- S'assurez que la porte vitrée est ouvert ou retiré de l'appareil lorsque vous allumer le pilote pour la première fois et lorsque le gaz est épuisé.
- Risque d'incendie ou d'asphyxie, ne faites pas fonctionner l'appareil avec la vitre retirée et jamais obstruer l'ouverture sur le devant de l'appareil.
- Ne branchez pas la soupape à du courant 110 volts, avec les exception de modèles; GSST8 et GT8.
- Risque de brûlures. L'appareil doit être éteint et refroidi avant d'effectuer un entretien.
- N'installez pas de composants endommagés ou incomplets ni des composants substitués.
- Risque de coupures et d'éraflures. Portez des gants protecteurs, des chaussures de protection et des lunettes de sécurité lors de l'installation. Les bordures des pièces de métal peuvent être coupantes.
- Ne brûlez pas de bois ou autres matériaux dans cet appareil.
- Assurez-vous d'une quantité suffisante d'air de combustion et de ventilation. Prévoyez un accès suffisant pour entretenir et opérer l'appareil.
- Haute pression endommagera la soupape. Débrancher la tuyauterie d'alimentation en gaz avant de tester la pression de ligne de gaz à la pression d'essai au-dessus de 1/2 psig. Fermer l'arrêt manuel de la soupape avant de tester la pression de ligne de gaz à la pression égale ou inférieure à 1/2psig (35mb).
- L'appareil ne doit pas être utilisé au températures au-dessous de zero (32°F / 0°C). Permettre à l'appareil pour réchauffer au-dessus de zero avant le fonctionnement, avec l'exception de modèles; GSS36, GSS42; ces appareil sont adaptés pour 0°F / -18°C.
- **Les enfants et les adultes devraient être informés des dangers que posent les températures de surface élevées et se tenir à distance afin d'éviter des brûlures ou que leurs vêtements ne s'enflamment.**
- **Les jeunes enfants doivent être surveillés attentivement lorsqu'ils sont dans la même pièce que l'appareil. Les jeunes enfants et autres personnes à risque sont sujets aux brûlures accidentelles. Une barrière de protection est recommandée si des individus à risque se trouvent dans la maison. Afin de restreindre l'accès à l'appareil, installez une barrière de protection ajustable pour garder les jeunes enfants ou autres personnes à risque hors de la pièce et loin des surfaces chaudes.**
- **Les vêtements et autres matériaux combustibles ne doivent pas être posés sur l'appareil ou à proximité.**
- **En raison des températures élevées, l'appareil devrait être placé loin des endroits passants et loin des meubles et des rideaux.**
- Les meubles ou autres objets doivent être gardés à une distance d'au moins 4 pieds (1.22m) du devant de l'appareil.
- Assurez-vous de disposer de mesures de sécurité adéquates pour empêcher les jeunes enfants de toucher aux surfaces chaudes.
- Même une fois que l'appareil est éteint, l'appareil demeurera chaud pendant un temps prolongé.
- Consultez votre détaillant local de l'appareil pour connaître les écrans de protection et les protection du foyer offerts pour protéger les enfants des surfaces chaudes. Ces écrans de protection et les protection du foyer doivent être fixés au plancher.
- **Tout écrans de protection, garde ou barrière enlevés pour faire l'entretien devront être remis en place avant d'utiliser l'appareil.**
- Il est primordial de garder propres les compartiments de contrôle, les brûleurs, la soufflerie, les bouches d'air de l'appareil ainsi que le système d'évacuation. L'appareil et son système d'évacuation doivent être inspectés avant la première utilisation et au moins une fois l'an par un spécialiste en entretien. Un entretien plus fréquent pourrait être nécessaire en raison des peluches provenant des tapis, literie, etc. L'emplacement de l'appareil doit être gardé libre de tous matériaux combustibles, essence ou autres liquides et vapeurs inflammables.
- Si l'appareil s'éteint, n'allume pas l'appareil jusqu'à ce que vous donner de l'air frais. Si l'appareil continue de s'éteindre, faire réparer. Garder propres le brûleur et le compartiment de contrôle.
- Cet appareil ne devra être modifié en aucun cas.
- Ne laissez pas les ventilateurs souffler directement sur l'appareil. Empêchez les courants d'air de modifier l'apparence de la flamme.

## AVERTISSEMENT

**LA VITRE CHAUDE CAUSERA DES BRÛLURES.**

**NE PAS TOUCHER LA VITRE AVANT QU'ELLE AIT REFOIDI.**

**NE JAMAIS LAISSER LES ENFANTS TOUCHER LA VITRE.**



Une barrière conçu à réduire le risque de brûlures causées par le verre chaud est fourni avec l'appareil et doit être installé pour la protection des enfants et d'autres personnes à risque.

## AVERTISSEMENT

- N'utilisez pas une soufflerie intégrée, un échangeur de chaleur intégré ni un autre accessoire non approuvé pour cet appareil.
- Cet appareil ne doit pas être raccordé au conduit d'une cheminée desservant un autre appareil de chauffage à combustible solide.
- N'utilisez pas cet appareil si une partie quelconque a été submergée. Contactez immédiatement un technicien de service qualifié pour inspecter l'appareil et pour remplacer toute pièce du système de contrôle et du contrôle du gaz qui aurait été submergée.
- Ne pas opérer l'appareil lorsque la porte vitrée est enlevée, fissurée ou brisée. Le remplacement de la vitre devra être effectué par un technicien de service certifié ou qualifié, si équipé.
- Ne frappez pas et ne claquez pas la porte vitrée de l'appareil, si équipé.
- **Seulement les portes/façades certifiées pour l'appareil peuvent être utilisées avec cet appareil.**
- Gardez les matériaux d'emballage hors de la portée des enfants et mettez ces matériaux au rebut de façon sécuritaire. Comme tous les emballages de plastique, ces matériaux ne sont pas des jouets et doivent demeurer hors de la portée des enfants et des bébés.
- Le carbone ou la suie ne doit pas se produire dans un appareil sans événement car il peut être distribué dans une zone habitable de votre maison. Si vous remarquez des signes de carbone ou de suie, éteignez immédiatement votre appareil et arrangez-le pour le faire entretenir par un technicien qualifié avant de l'actionner à nouveau.
- Si équipé, l'écran doit être (fermez) en place pendant le fonctionnement de l'appareil.
- Lorsque l'appareil est muni de portes d'évacuation de pression, elles doivent demeurer fermées pendant le fonctionnement de l'appareil afin d'empêcher les gaz de combustion contenant du monoxyde de carbone de s'infiltrer dans la maison. La température des gaz de combustion s'échappant par ces ouvertures peut aussi causer les matériaux combustibles avoisinants à surchauffer et à prendre feu.
- L'empoisonnement au monoxyde de carbone peut conduire à la mort; les premiers signes d'une intoxication au monoxyde de carbone ressemblent à la grippe, avec céphalées, vertiges et/ou des nausées. Si vous présentez ces signes, l'appareil peut ne pas fonctionner correctement. Obtenir l'air frais! Faire réparer l'appareil. Certaines personnes; les femmes enceintes, les personnes ayant une maladie cardiaque ou pulmonaire, anémie, ceux sous l'influence de l'alcool, ceux à haute altitude sont plus touchés par le monoxyde de carbone que d'autres. Défaut de garder l'ouverture d'air primaire(s) du brûleur(s) propre peut entraîner la formation de suies et dommages à la propriété.
- Comme dans le cas de tout appareil à combustion, il est recommandé de faire inspecter et entretenir votre appareil régulièrement. De même, installez un détecteur de monoxyde de carbone dans la pièce pour vous protéger, ainsi que votre famille, contre les intoxications (pas applicable pour les appareils pour l'extérieure).
- Assurez-vous que les distances requises pour les dégagements aux matériaux combustibles sont respectées lorsque vous installez une tablette décorative ou des tablettes au-dessus de l'appareil. En raison des températures élevées, un téléviseur ou d'autres composants électroniques pourraient être endommagés prématurément ou ils pourraient fondre, se déformer ou se décolorer.
- **Pour les appareils avec une barrière; si la barrière est endommagée, elle devra être remplacée par la barrière conçu par le fabricant pour cet appareil.**
- **L'installation et la réparation devraient être effectuées par un technicien qualifié. Il est impératif que les compartiments de contrôle, le brûleur et les passages de circulation d'air soient gardés propres afin de fournir une combustion et une circulation d'air adéquates.**
- Produits pour l'extérieur seulement: Cet appareil ne doit pas être installé à l'intérieur ni dans une structure qui empêche la dissipation des gaz de combustion dans l'environnement extérieur.
- S'il y a lieu, la version de millivolt de cet appareil utilise et requiert un thermocouple à action rapide. Remplacez uniquement par un thermocouple à action rapide de Wolf Steel Itée.

** AVERTISSEMENT: Ce produit peut vous exposer à des substances chimiques incluant le plomb et les composés de plomb qui, selon l'État de Californie, causeraient le cancer, et des substances chimiques incluant le monoxyde de carbone qui, selon d'État de Californie, causeraient des malformations congénitales ou autres dangers pour la reproduction. Pour de plus amples renseignements, visitez le [www.P65Warnings.ca.gov](http://www.P65Warnings.ca.gov).**

|  <b>AVERTISSEMENT/ADVERTENCIA</b>  |   |
|--|---|
| <b>RISQUE D'INCENDIE /<br/>RETARD D'ALLUMAGE</b>   | <b>RIESGO DE INCENDIO / PELIGRO<br/>DE ENCENDIDO DEMORADO</b>   |
| <b>Une pression d'alimentation élevée peut endommager la soupape et ses composantes.</b>   | <b>El suministro a alta presión dañará la válvula/los controles.</b>  |
| Débrancher la soupape de gaz de la ligne d'alimentation en gaz pendant les essais de pression de ce système lorsque les pressions excèdent 1/2 lb/po2 (3,5 kPa).   | Desconectar la válvula/el control principal de gas del aparato del caño de suministro cuando se compruebe la presión del sistema a más de 1/2 psi (3.5 kPa).            |
| Isoler l'appareil en fermant la soupape d'arrêt pendant tout essai de pression du système d'alimentation en gaz lorsque les pressions sont de 1/2 lb/po2 (3,5 kPa) ou moins.                               | Aislar el aparato con su válvula de cierre durante cualquier comprobación de la presión de la cañería de suministro a una presión igual o inferior a 1/2 psi (3.5 kPa). |
|   |    |

# table des matières

FR

|            |  |            |             |   |  |
|------------|--|------------|-------------|---|--|
| <b>1.0</b> | <b>information générale</b>  | <b>73</b>  |             |   |  |
| 1.1        | taux et efficacités  | 73         |             | 4.3.4   | installation de la terminaison horizontale 106             |
| 1.2        | vérification d'installation  | 74         |             | 4.3.5   | installation de la terminaison verticale 107               |
| 1.3        | vue d'ensemble d'installation  | 75         |             | 4.4   | terminaison verticale à travers une cheminée existante 108 |
| 1.4        | information à propos de la plaque d'homologation                             | 77         |             | 4.4.1   | renstreignant des événements verticaux 109                 |
| 1.5        | installation dans une maison mobile  | 77         |             |   |  |
| 1.6        | dimensions   | 78         | <b>5.0</b>  | <b>information électrique</b>                                   | <b>110</b>   |
| <b>2.0</b> | <b>exigences d'évacuation</b>  | <b>79</b>  | 5.1         | schéma de câblage électronique                                  | 110  |
| 2.1        | installations typiques d'événements  | 80         | 5.2         | installation du sauvegarde de pile                              | 111  |
| 2.2        | installations particulières d'événements                                     | 82         | <b>6.0</b>  | <b>branchement du gaz</b>                                       | <b>112</b>   |
| 2.2.1      | ensemble périscopique  | 82         | <b>7.0</b>  | <b>opération</b>  | <b>113</b>   |
| 2.2.2      | installation en coin   | 82         | <b>8.0</b>  | <b>encadrement fini</b>   | <b>114</b>   |
| 2.3        | emplacements et dégagements minimaux de la terminaison                       | 83         |             | 8.1   | dimensions minimaux de l'ossature 114                      |
| 2.4        | charte d'application des évacuations   | 84         | <b>9.0</b>  | <b>finitions</b>  | <b>115</b>   |
| 2.5        | légende  | 84         | 9.1         | installation et enlèvement de l'écran de protection et la porte | 115  |
| 2.6        | valeurs du coude en longueurs d'événement                                    | 85         | 9.2         | installation de l'hotte avant                                   | 116  |
| 2.7        | évacuation sur le dessus terminaison horizontale                             | 85         | 9.3         | matériau de finition incombustible                              | 117  |
| 2.8        | évacuation sur l'arrière terminaison horizontale                             | 87         | 9.4         | dégagements minimaux de la tablette                             | 118  |
| 2.9        | évacuation sur l'arrière et au dessus terminaison verticale                  | 89         | 9.5         | installation encadrée   | 119  |
| 2.10       | évacuation à l'arrière   | 91         | 9.6         | disposition des bûches  | 120  |
| 2.11       | déflexeur du ventilation arrière (pour l'application de ventilation arrière) | 92         | 9.7         | braises incandescentes  | 122  |
| 2.12       | évacuation sur le dessus   | 93         | 9.8         | braises de charbon  | 122  |
|            |  |            | 9.9         | mise en place du logo   | 122  |
| <b>3.0</b> | <b>encadrement approximatif</b>  | <b>94</b>  | <b>10.0</b> | <b>installation de la soufflerie optionnelle</b>                | <b>123</b>   |
| 3.1        | dégagements minimaux de l'ossature   | 95         | <b>11.0</b> | <b>réglages</b>   | <b>124</b>   |
| 3.2        | dégagements minimaux de l'enceinte   | 96         | 11.1        | vérifiez les mesures de pression                                | 124  |
|            |  |            | 11.2        | réglage du venturi  | 124  |
|            |  |            | 11.3        | caractéristiques de la flamme                                   | 125  |
| <b>4.0</b> | <b>installation d'évacuation</b>   | <b>101</b> | <b>12.0</b> | <b>entretien</b>  | <b>126</b>   |
| 4.1        | installation horizontale   | 102        | 12.1        | entretien annuel  | 126  |
| 4.2        | installation verticale   | 103        | 12.2        | remplacement de la vitre de porte                               | 127  |
| 4.3        | utilisation de composants d'évacuation flexibles ou rigides                  | 104        | 12.3        | soins de la vitre   | 127  |
| 4.3.1      | installation de la terminaison horizontale                                   | 104        | <b>13.0</b> | <b>pièces de rechange</b>                                       | <b>128</b>   |
| 4.3.2      | installation de la terminaison verticale                                     | 105        | 13.1        | vue d'ensemble  | 129  |
| 4.3.3      | raccordement des événements à l'appareil                                     | 105        | 13.2        | assemblage de la soupape  | 130  |
|            |  |            | <b>14.0</b> | <b>accessoires</b>  | <b>131</b>   |
|            |  |            | <b>15.0</b> | <b>guide de dépannage</b>                                       | <b>132</b>   |
|            |  |            | <b>16.0</b> | <b>garantie</b>   | <b>135</b>   |

## note:

L'information contenue dans ce manuel est jugée correcte au moment de l'impression. Wolf Steel Ltd. se réserve le droit de modifier ou de modifier toute information contenue dans ce manuel à tout moment sans préavis. Les modifications, autres que les éditoriaux, sont désignées par une ligne verticale dans la marge.



## Installateur, veuillez rempli les informations suivants:

Client: \_\_\_\_\_  
 Adresse: \_\_\_\_\_  
 Date d'installation: \_\_\_\_\_  
 Location de l'appareil: \_\_\_\_\_  
 Installateur: \_\_\_\_\_  
 Numéro de contact  
 du détaillant / distributeur: \_\_\_\_\_  
 # de série: \_\_\_\_\_

Modèle:

**Gaz Naturel:**  B36NTREA-1

**Propane:**  B36PTREA-1

## 1.0 information générale

Lorsque l'appareil est installé à des élévations dépassant 4 500 pieds (1372m), et en l'absence de recommandations spécifiques de l'autorité compétente locale, l'indice certifié du débit à haute altitude devra être réduit au taux de 4% pour chaque 1 000 pieds (305m) supplémentaires. Les bruits causés par l'expansion et la contraction lors des cycles de chauffage et de refroidissement sont tout à fait normaux et il faut s'y attendre. Le changement de l'aspect de la flamme de « HI » à « LO » est plus évident pour le gaz naturel que pour le propane.

Cet appareil est approuvé pour installation dans les salles de bain, les chambres à coucher, ou les chambres studio et convient pour installation dans les maisons mobile.

**Cet appareil ne doit fonctionner qu'avec le gaz spécifié sur la plaque d'homologation. Cet appareil ne peut être converti à un autre type de gaz à moins d'utiliser un ensemble de conversion certifié.**

**note:**

Une barrière conçu à réduire le risque de brûlures à partir de la vitre est à condition que avec l'appareil et sera être installés.

L'emballage de protection sur les pièces s'enlève mieux lorsque l'assemblage est à température ambiante ou lorsqu'il est chauffé à l'aide d'un séchoir à cheveux ou d'une autre source de chaleur similaire.

**Appareil à gaz décoratif à évacuation : n'est pas une source de chaleur ; ne convient pas aux combustibles solides.**



Les piles doivent être mises au rebut conformément aux lois et à la réglementation locales. Certaines piles peuvent être recyclées dans votre centre de recyclage local. Renseignez-vous auprès de votre municipalité au sujet des directives de recyclage.

### 1.1 taux et efficacités

| Type de Comburant                               | Gaz Naturel      | Propane         |
|---|------------------|-----------------|
| Altitude (PI)                                   | 0 - 4 500        |                 |
| Débit Max. (BTU/h)                              | 18 000           |                 |
| Pression minimale d'alimentation en gaz         | 4,5" w.c. (11mb) | 11" w.c. (27mb) |
| Pression maximale d'alimentation en gaz         | 7"* w.c. (17mb)  | 13" w.c. (32mb) |
| Pression au collecteur (lorsque le gaz circule) | 3,5" w.c. (9mb)  | 10" w.c. (25mb) |

\* Pression d'alimentation maximale ne devrait pas dépasser 13".

### LISTE DE VÉRIFICATION POUR L'INSTALLATION D'UN FOYER AU GAZ

|               |       |                       |       |
|---------------|-------|-----------------------|-------|
| Client :      | _____ | Date d'installation : | _____ |
| Adresse :     | _____ | Installateur :        | _____ |
| Modèle :      | _____ | Détaillant :          | _____ |
| N° de série : | _____ | Téléphone :           | _____ |

Cette liste de vérification est fournie uniquement à titre de référence. Elle n'est pas destinée à remplacer les instructions d'installation.

#### Installation du foyer

|   | <u>OUI</u>               | <u>SI NON, VEUILLEZ EXPLIQUER POURQUOI.</u> |
|---|--------------------------|---|
| Le foyer est-il de niveau et fixé en place?                                       | <input type="checkbox"/> | _____                                       |
| Les matériaux incombustibles fournis avec l'appareil sont-ils installés?          | <input type="checkbox"/> | _____                                       |
| Le mur extérieur est-il isolé et revêtu d'une cloison sèche?                      | <input type="checkbox"/> | _____                                       |
| Les dégagements aux matériaux combustibles sont-ils maintenus?                    | <input type="checkbox"/> | _____                                       |
| Les bûches/ensembles décoratifs sont-ils installés conformément aux instructions? | <input type="checkbox"/> | _____                                       |
| Les accessoires sont-ils installés conformément aux instructions?                 | <input type="checkbox"/> | _____                                       |
| La porte vitrée est-elle correctement scellée et dégagée?                         | <input type="checkbox"/> | _____                                       |
| L'écran de protection est-il installé et fixé en place?                           | <input type="checkbox"/> | _____                                       |
| Tous les accessoires requis sont-ils installés?                                   | <input type="checkbox"/> | _____                                       |

#### Installation du système d'événements

|  |                          |       |
|--|--------------------------|-------|
| La configuration du système d'événements est-elle conforme aux paramètres? | <input type="checkbox"/> | _____ |
| Le système d'événements a-t-il été scellé avec le scellant approprié?      | <input type="checkbox"/> | _____ |
| Le système d'événements est-il supporté et fixé en place?                  | <input type="checkbox"/> | _____ |
| Est-ce que tous les dégagements aux matériaux combustibles sont maintenus? | <input type="checkbox"/> | _____ |
| Les coupe-feu et les écrans appropriés sont-ils correctement installés?    | <input type="checkbox"/> | _____ |
| La terminaison est-elle de niveau, fixée en place et scellée?              | <input type="checkbox"/> | _____ |

#### Gaz et électricité

|   |                          |       |
|---|--------------------------|-------|
| Le foyer a-t-il été converti au propane?                                | <input type="checkbox"/> | _____ |
| La pression d'alimentation a-t-elle été vérifiée?                       | <input type="checkbox"/> | _____ |
| Est-ce que tous les raccords de gaz ont été testés pour des fuites?     | <input type="checkbox"/> | _____ |
| Le raccordement de l'alimentation de 110 V CA au foyer est-il conforme? | <input type="checkbox"/> | _____ |
| Est-ce que tous les fils électriques sont protégés contre les dommages? | <input type="checkbox"/> | _____ |

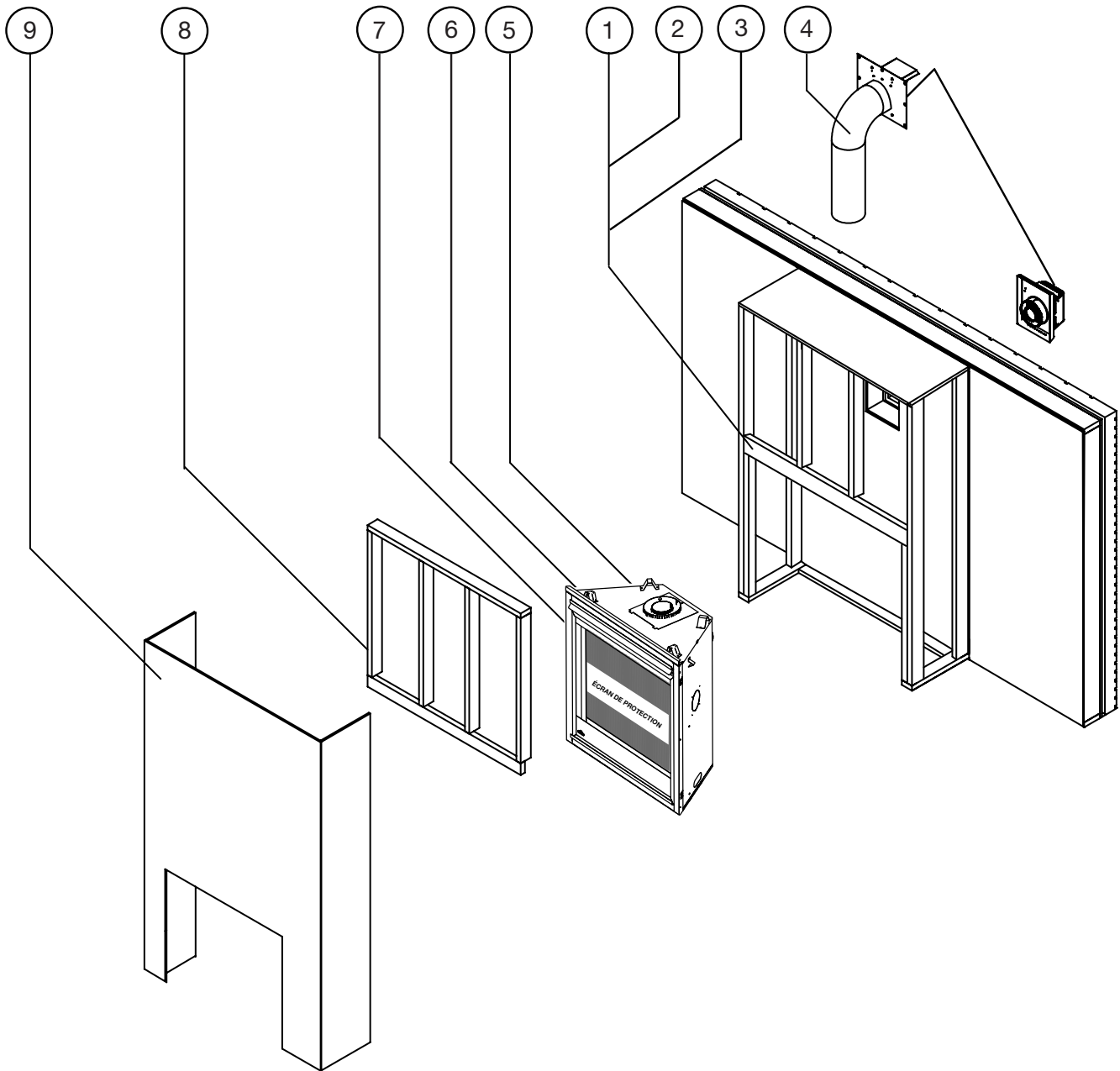
#### Finition

|  |                          |       |
|--|--------------------------|-------|
| Les matériaux incombustibles sont-ils utilisés selon les instructions?             | <input type="checkbox"/> | _____ |
| Les instructions relatives à l'enceinte ont-elles été transmises à l'entrepreneur? | <input type="checkbox"/> | _____ |
| Les dimensions minimales de l'enceinte sont-elles conformes?                       | <input type="checkbox"/> | _____ |
| Les dégagements du manteau combustible sont-ils conformes?                         | <input type="checkbox"/> | _____ |

#### Mise en service

|   |                          |       |
|---|--------------------------|-------|
| Est-ce qu'un test d'allumage a été effectué et tout le fonctionnement du foyer vérifié? | <input type="checkbox"/> | _____ |
| Les consignes de sécurité et d'allumage ont-elles été revues avec le propriétaire?      | <input type="checkbox"/> | _____ |
| Le manuel d'instructions a-t-il été remis au propriétaire?                              | <input type="checkbox"/> | _____ |

1.3 vue d'ensemble d'installation



**Étapes d'installation recommandées:**

1. Déterminez les exigences d'évacuation avant de déterminer la position finale de l'appareil.
2. Installez l'encadrement approximatif (voir la section « encadrement approximatif »).
3. Placez l'appareil dans la position finale.
4. Installez l'évacuation de l'appareil (voir la section « installation d'évacuation »).
5. Installez toutes câblages électrique (voir la section « information électrique »).
6. Installez les conduites de gaz (voir la section « branchement du gaz »).
7. Testez l'appareil.
8. Complétez l'encadrement (voir la section « encadrement fini »).
9. Complétez les finitions (voir la section « finitions »).

## AVERTISSEMENT

- Allumez toujours la veilleuse, que ce soit pour la première fois ou lorsque l'approvisionnement en gaz est épuisé, avec la porte vitrée ouverte ou retirée.
- Prévoyez un accès suffisant pour entretenir et opérer l'appareil.
- Assurez-vous d'une quantité suffisante d'air de ventilation.
- N'obstruez jamais l'ouverture de l'appareil.
- Les objets placés devant l'appareil doivent être gardés à une distance d'au moins 48" (121,9cm) de la face vitrée de l'appareil.
- Les surfaces autour et surtout au-dessus de l'appareil peuvent devenir chaudes. Ne touchez pas l'appareil quand il fonctionne.
- Risque d'incendie ou d'explosion.
- Les pressions élevées endommageront la soupape. L'alimentation en gaz doit être débranchée pendant les essais de pression de ce système lorsque les pressions d'essai excèdent 1/2 lb/po<sup>2</sup> (3,5kpa). Fermez la soupape d'arrêt manuelle pendant tout essai de pression du système d'alimentation en gaz lorsque la pression est de 1/2 lb/po<sup>2</sup> (3,5mb) ou moins.
- N'utilisez que les accessoires optionnels et les pièces de rechange approuvés par Wolf Steel pour cet appareil. L'utilisation d'accessoires non listés (soufflerie, portes, persiennes, moulures, composants de gaz, composants d'évacuation, etc.) pourrait être non sécuritaire et annulera la garantie et la certification.
- L'appareil ne doit pas être utilisé aux températures au-dessous de zéro (32°f / 0° c). Permettre à l'appareil pour réchauffer au-dessus de zéro avant le fonctionnement.

**Cet appareil au gaz devrait être installé et entretenu par un installateur qualifié** en se conformant aux codes locaux. Les pratiques d'installation peuvent varier d'une région à l'autre. Il est donc important de connaître les normes spécifiques qui s'appliquent à votre région. Par exemple, dans l'état du Massachusetts:

- Ce produit doit être installé par un plombier certifié ou un installateur pour le gaz lorsque installé dans le Commonwealth du Massachusetts.
- Le registre de l'appareil doit être enlevé ou bloqué en le soudant en position ouverte avant d'installer un encastré ou un ensemble de bûches à gaz.
- La soupape d'arrêt doit être un robinet à gaz avec une poignée en T.
- Le raccord flexible ne doit pas mesurer plus que 36 pouces (914,4mm).
- Un détecteur de monoxyde de carbone est requis dans toutes les pièces contenant des appareils alimentés au gaz.
- L'appareil n'est pas approuvé pour installation dans une chambre à coucher ou une salle de bain à moins d'être un appareil avec une chambre de combustion scellée à évacuation directe.

L'installation doit se conformer aux codes locaux. En l'absence de codes locaux, l'installation doit être conforme au Code d'installation du gaz naturel et du propane CSA B149.1 au Canada ou au National Fuel Gas Code, ANSI Z223.1 / NFPA 54 aux États-Unis. Cet appareil convient pour installation dans une maison mobile si l'installation est conforme aux normes actuelles pour les maisons mobiles équipées au gaz CAN/CSA Z240 SÉRIE MM au Canada ou selon les normes ANSI Z223.1 et NFPA 54 aux États-Unis.

L'alimentation de gaz de l'appareil doit être débranchée pendant les essais de pression de ce système lorsque les pressions d'essai excèdent 1/2 lb/po<sup>2</sup> (3,5 kpa). Fermez la soupape d'arrêt manuelle pendant tout essai de pression du système d'alimentation en gaz lorsque la pression est de 1/2 lb/po<sup>2</sup> (3,5 mb) ou moins. Si la soufflerie ou ventilateur est installer la boîte de dérivation doit être branchée au circuit électrique et mise à la terre conformément aux codes locaux. En l'absence de codes locaux utilisez la version courante du Code Canadien de l'Électricité CSA C22.1 au Canada ou le National Electrical Code ANSI/NFPA 70 aux États-Unis. Dans le cas où le soufflerie est équipé d'un cordon d'alimentation il doit être connecté à une réceptacle correctement mise à la terre. La fiche de mise à la terre ne doit pas être retiré du cordon d'alimentation.

Ce qui suit ne s'applique pas aux foyers encastrés; tant que les distances requises pour les dégagements aux matériaux combustibles sont respectées, le meilleur endroit pour un appareil est le centre de la maison, car ceci permet une meilleure utilisation de la chaleur fournie. L'emplacement des fenêtres, des portes et la circulation dans la pièce où se trouve l'appareil devront être pris en considération. Si possible, vous devriez choisir un emplacement où le système d'évent peut passer à travers la maison sans avoir à découper des solives de plancher ou de toit, sauf indication contraire à l'essai.

**NATIONAL  
FIREPLACE  
INSTITUTE**



**CERTIFIED**

[www.nficertified.org](http://www.nficertified.org)

Nous suggérons que nos appareils au gaz soient installés et que l'entretien soit effectué par des professionnels certifiés par le National Fireplace Institute® (NFI) comme spécialiste du gaz NFI.

### 1.4 information à propos de la plaque d'homologation



Cette illustration est à titre de référence seulement. Consultez la plaque d'homologation pour obtenir l'information précise.

**note:**  
La plaque d'homologation doit rester avec l'appareil à tout instant. Il ne doit pas être enlevé.

### 1.5 installation dans une maison mobile

Cet appareil doit être effectuée en respectant les directives du fabricant et le Manufactured Home Construction and Safety Standard, Title 24 CFR, Part 3280, aux États-Unis, ou les normes actuelles pour les maisons mobiles, CAN/CSA Z240 SÉRIE MH au Canada. Cet appareil ne doit être utilisé qu'avec le type de gaz indiqué sur la plaque d'homologation.

Cet appareil homologué pour les maisons mobiles et préfabriquées possède des éléments de fixation. L'appareil est muni de deux trous de 1/4" (6,4mm) de diamètre, situés aux coins avant, gauche et droit de la base. Fixez à l'aide des attaches appropriées, insérées dans les trous de la base. Pour les produits autoportante, contactez votre revendeur agréé / distributeur permettant l'ensemble de sécurisation. Lors d'une installation dans une maison mobile, l'appareil doit être fixé au plancher. Éteignez toujours la veilleuse et l'alimentation en gaz à la source avant de déplacer la maison mobile. Après avoir déplacé la maison mobile et avant d'allumer l'appareil assurez-vous que les bûches sont placées correctement.

Cet appareil est certifié pour être installé dans une maison mobile installée de façon permanente, sauf si les codes locaux l'interdisent. Cet appareil ne doit être utilisé qu'avec le type de gaz indiqué sr la plaque d'homologation. On ne peut utiliser cet appareil avec d'autres types de gaz, sauf si un ensemble de conversion certifié est utilisé.

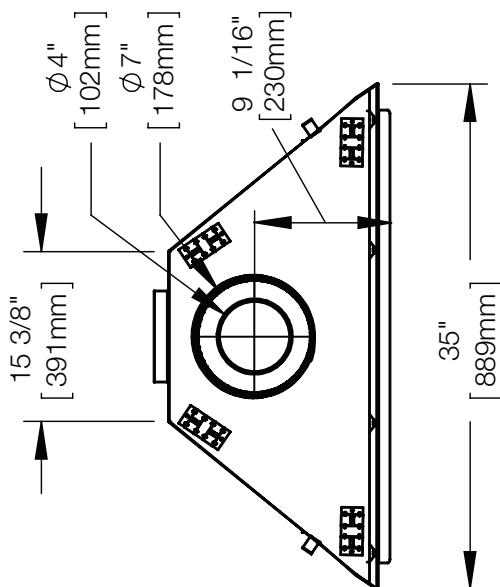
#### Ensembles de conversion

L'appareil pour maison mobile peut être converti au gaz naturel (GN) ou au propane (P). Pour effectuer une conversion, veuillez consulter votre détaillant autorisé.

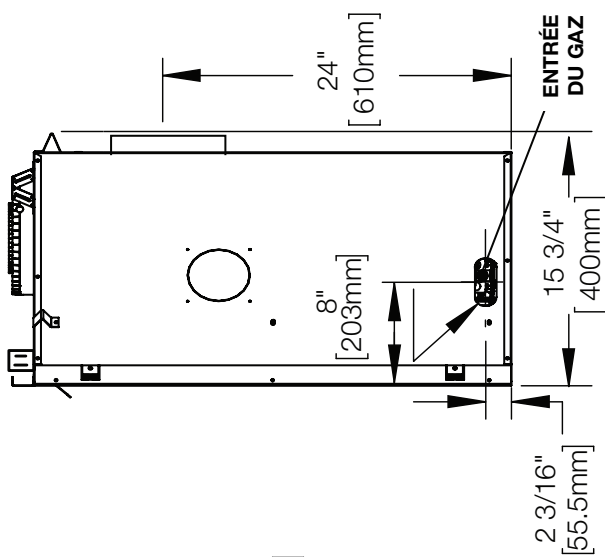
# information générale

## FR 1.6 dimensions

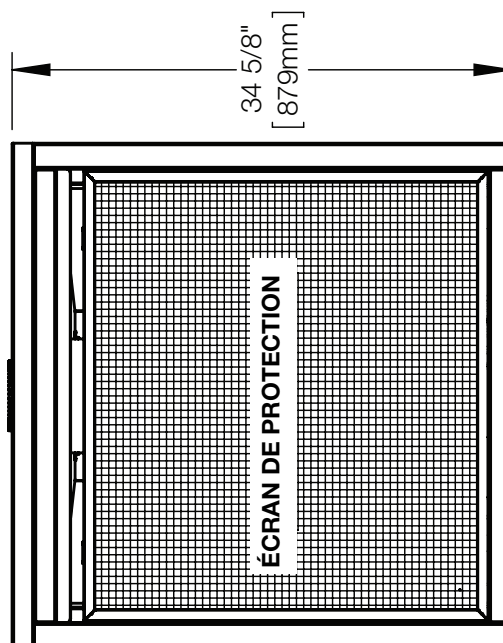
vue de dessus



vue de côté



vue de face



### AVERTISSEMENT

- Risque d'incendie. Conservez les dégagements nécessaires au conduit d'évent et à l'appareil.
- Les courses horizontales et verticales du système doivent être supportées à tous les 3 pi (0,9m). Utilisez l'ensemble de support mural Wolf Steel W010-0067 ou des attaches incombustibles équivalents afin de maintenir le dégagement aux matériaux combustibles pour les courses verticales et horizontales. Des espaceurs sont fixés au conduit intérieur à intervalles prédéterminé afin de garder un espace vide avec le conduit extérieur. Pour que le fonctionnement soit sécuritaire, un espace vide est requis. Un espaceur est requis au début, au milieu et à la fin de chaque coude afin de maintenir cet espace vide. N'enlevez pas ces espaceurs.

**Cet appareil utilise un système de conduits de 4" (102mm) pour l'évacuation et de 7" (178mm) pour la prise d'air.**

**Veillez consulter la section qui correspond à votre installation.**

Afin d'assurer un fonctionnement sécuritaire et adéquat de l'appareil, vous devez observer les instructions d'évacuation à la lettre. Un changement à la longueur verticale minimale de l'évacuation pourrait entraîner des problèmes d'allumage du brûleur et/ou des accumulations de carbone. Sous des configurations d'évacuation extrêmes, allouez de 5 à 15 minutes pour que la flamme se stabilise après l'allumage. Il est suggérons fortement de les événements qui passent à travers des espaces non chauffés (greniers, garages, espaces réduits) devraient être recouverts d'un manchon isolant pour minimiser la condensation. Prévoyez un moyen d'inspecter visuellement le raccord des événements à l'appareil après que l'appareil est installé. Utilisez un espaceur coupe-feu, un protecteur de conduit d'évacuation ou un écran thermique de grenier lorsque les murs intérieurs, le plancher ou le plafond sont traversés.

La terminaison peut être peints avec une peinture haute température pour faire correspondre les couleurs extérieures. Utilisez une peinture extérieure pour 400°F (200°C). Application et performance de la peinture est la responsabilité du consommateur. Spot test est recommandé.

#### note:

Si pour une raison quelconque le système d'événements de prise d'air est démonté, réinstallez-le selon les instructions fournies dans l'installation initiale.

Cet appareil doit être installé de manière à ce que le conduit d'évacuation et de prise d'air se prolongent sur toute la longueur de la cheminée. Toute autre méthode d'installation telle que d'utiliser la cheminée comme partie du système d'événement est interdite.

Utilisez uniquement des composants d'évacuation Wolf Steel, Metal-Fab, BDM, Simpson Dura-Vent, ou Selkirk Direct Temp. Les minimums et maximums des longueurs d'événement, pour les installations verticales et horizontales, dégagements entre les tuyaux de ventilation et les combustibles, et les emplacements des pris d'air de la terminaison tels que définis dans ce manuel s'appliquent à tous les systèmes de ventilation et doivent être respectés. Pour le Metal-Fab, BDM, Simpson Dura-Vent, ou Selkirk Direct Temp, suivez la procédure d'installation fournie avec les composants d'évacuation ou sur le site web de votre fournisseur de ventilation. Un adaptateur de départ doit être utilisé avec les systèmes de ventilation suivants et peut être acheté auprès de Wolf Steel ou du fournisseur correspondant indiqué ci-dessous:

| Système d'Évacuation | Fabricant                   | No. de Pièce de l'Adaptateur de Départ | Fournisseur                 | Site Web               |
|----------------------|-----------------------------|--|-----------------------------|------------------------|
| SureSeal             | Metal-Fab                   | 4DNA                                   | Wolf Steel                  | www.mtlfab.com         |
| Direct Vent Pro      | Simpson DuraVent            | W175-0053                              | Wolf Steel                  | www.duravent.com       |
| Pro-Form             | BDM                         | DVR6-STA7                              | BDM                         | www.dalsinmfg.com      |
| Direct Temp          | Selkirk                     | 4DT-AAN                                | Selkirk                     | www.selkirkcorp.com    |
| Ventis               | Olympia Chimney and Venting | VDV-NA04-47F                           | Olympia Chimney and Venting | www.olympiachimney.com |

Les connexions effectuées au moyen d'un adaptateur sur l'appareil, ainsi que la connexion au terminal de ventilation doivent être scellées. Le scellant RTV peut être utilisé à la fois sur les joints de tuyau d'évacuation interne et d'admission externe de tous les autres systèmes d'évacuation approuvés, à l'exception du raccordement du tuyau d'évacuation au collet de fumée de l'appareil qui doit être scellé à l'aide du scellant noir haute température Mill Pac.

Pour tous les systèmes de ventilation, il est fortement recommandé pour toutes les installations, mais requis lors de l'utilisation d'un ventilateur de puissance (PVA), que les joints d'admission d'air extérieurs soient scellés à l'aide de silicone haute température (RTV) ou d'un ruban d'aluminium approprié qui couvre toute la circonférence de chaque joint dans le système de ventilation. Cela garantira les meilleures performances dans chaque application et évite les problèmes de performance ou de condensation qui peuvent survenir dans les maisons construites « étroitement », en particulier dans les climats froids.

Lorsque vous utilisez des composants d'évacuation de Wolf Steel: n'utilisez que des composants flexibles/rigides d'évacuation Wolf Steel Itée conjointement avec les ensembles de terminaison suivants : les ensembles de terminaison murale **GD222**, **GD222R**, **ST47U**, ou l'ensemble de terminaison pour toit de pente 1/12 à 7/12 **GD111**, l'ensemble de terminaison pour toit de pente 8/12 à 12/12 **GD111**, l'ensemble de terminaison pour toit plat **GD112** ou l'ensemble périscopique **GD201** (pour pénétration des murs sous le niveau du sol). Lorsque vous utilisez des conduits flexibles, conjointement avec les différentes terminaisons, utilisez l'ensemble d'événements de 5PI (1,5m) **GD220** ou l'ensemble d'événements de 10PI (3,1m) **GD330**. Pour les poêles seulement: ensembles de terminaison murale **GD175** (systèmes d'événements fournis).

# exigences d'évacuation

FR

Pour une performance optimale de l'appareil et une apparence optimale des flammes, gardez la longueur des événements et le nombre de coudes au minimum.

La prise d'air de la terminaison extérieure doit demeurer dégagée en tout temps. Vérifiez la prise d'air de la terminaison au moins une fois l'an pour vous assurer qu'elle n'est pas obstruée ni endommagée.

Ne combinez pas de composants rigides ou flexibles ni de composants d'évacuation provenant de fabricants différents.

Ces ensembles d'évents permettent soit une évacuation verticale, soit une évacuation horizontale de l'appareil. La course horizontale doit être conservée à un maximum de 20PI (6,1m). La hauteur totale permise pour un évent vertical est de 40PI (12,2m). Lorsque vous utilisez des composants flexibles, le nombre maximal de raccordements est de deux horizontalement ou trois verticalement (excluant les raccordements à l'appareil et à la section de terminaison).

Les courses horizontales peut avoir un élévation de 0" par pied ou 0mm par mètre, mais pour une performance optimale, nous recommandons que toutes les courses horizontales devraient avoir un élévation minimum de 1/4" par pied ou 21mm par mètre lors d'utilisation d'évacuation flexible. Afin d'assurer un fonctionnement sécuritaire et adéquat de l'appareil, vous devez observer les instructions d'évacuation à la lettre.

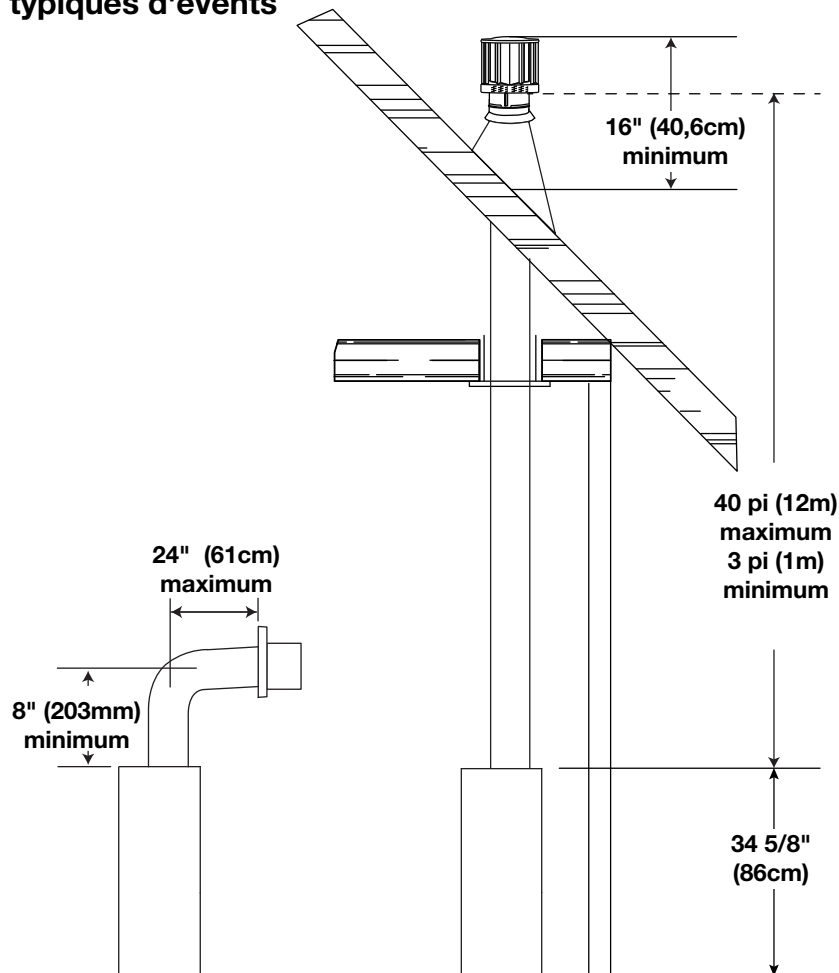
Une terminaison ne doit pas être installée directement au-dessus d'un trottoir ou d'une entrée pavée, située entre deux maisons unifamiliales et servant aux deux maisons. Les codes ou réglementations locaux peuvent exiger des dégagements différents. Ne laissez pas la gaine flexible se tasser contre les courses horizontales ou verticales et les coudes. Gardez-la tendue. Un espace vide de 1/4" (31,8mm) tout autour et entre la gaine intérieure et la gaine extérieure est requis afin d'assurer un fonctionnement sécuritaire et adéquat de l'appareil.

Cet appareil est certifié pour utilisation avec un ensemble PVA. Contactez votre détaillant local autorisé pour plus d'information.

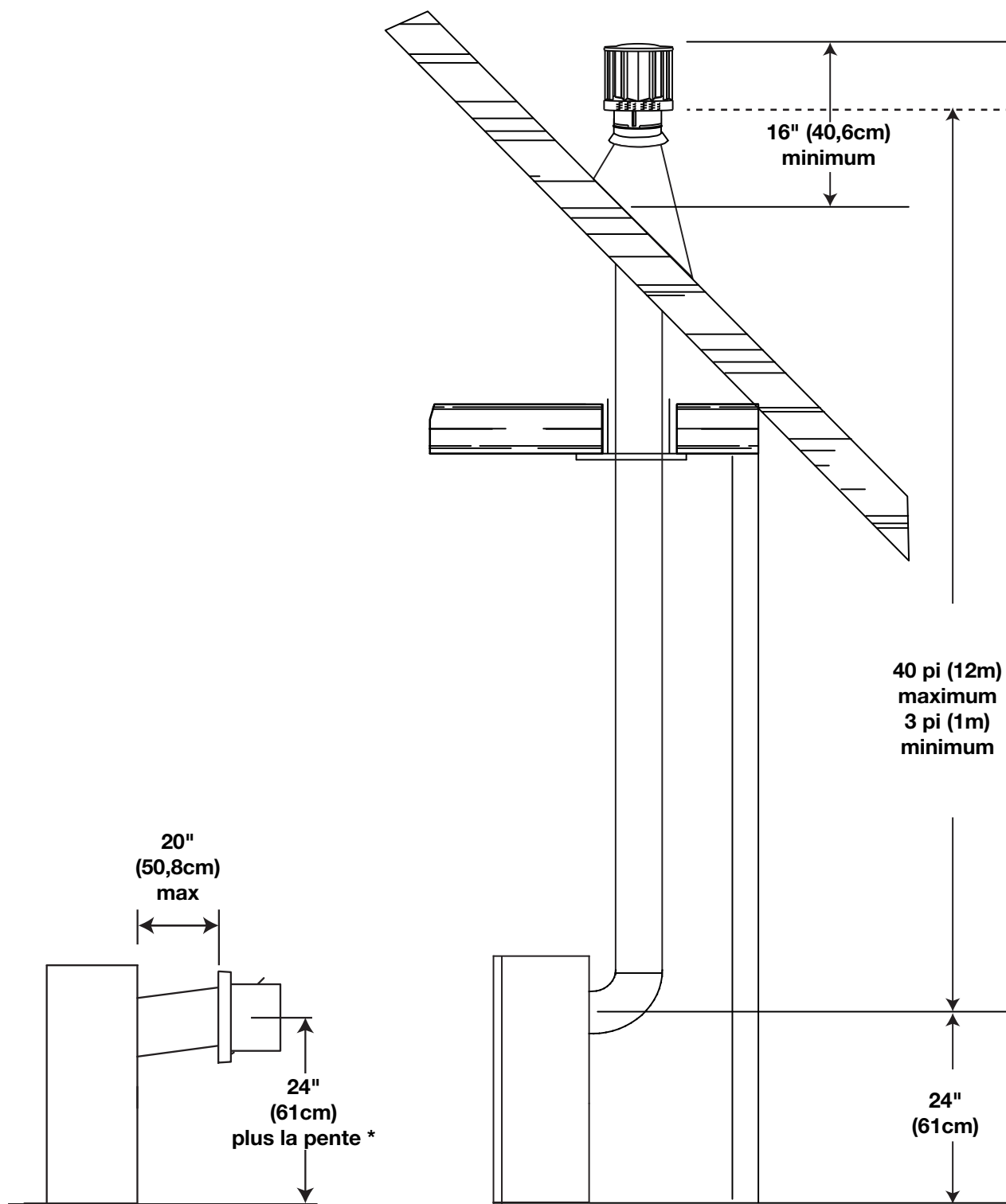
Pour une performance optimale, nous recommandons que toutes les course horizontales devraient avoir un élévation minimum de 1/4" par pied ou 21mm par mètre lors d'utilisation d'évacuation flexible.

| PENTE REQUISE POUR L'ÉVACUATION HORIZONTALE |                  |            |
|---|------------------|------------|
| Évacuation Arrière                          | Évents rigides   | 0" / PI    |
|   | Évents flexibles |            |
| Évacuation sur Dessus                       | Évents rigides   | 0" / PI    |
|   | Évents flexibles |            |
| Évacuation Arrière en Coin                  | Évents rigides   | 0"         |
|   | Évents flexibles | 6" (152mm) |

## 2.1 installations typiques d'évents







## ÉVACUATION SUR L'ARRIÈRE

\* Voir la section « évacuation »

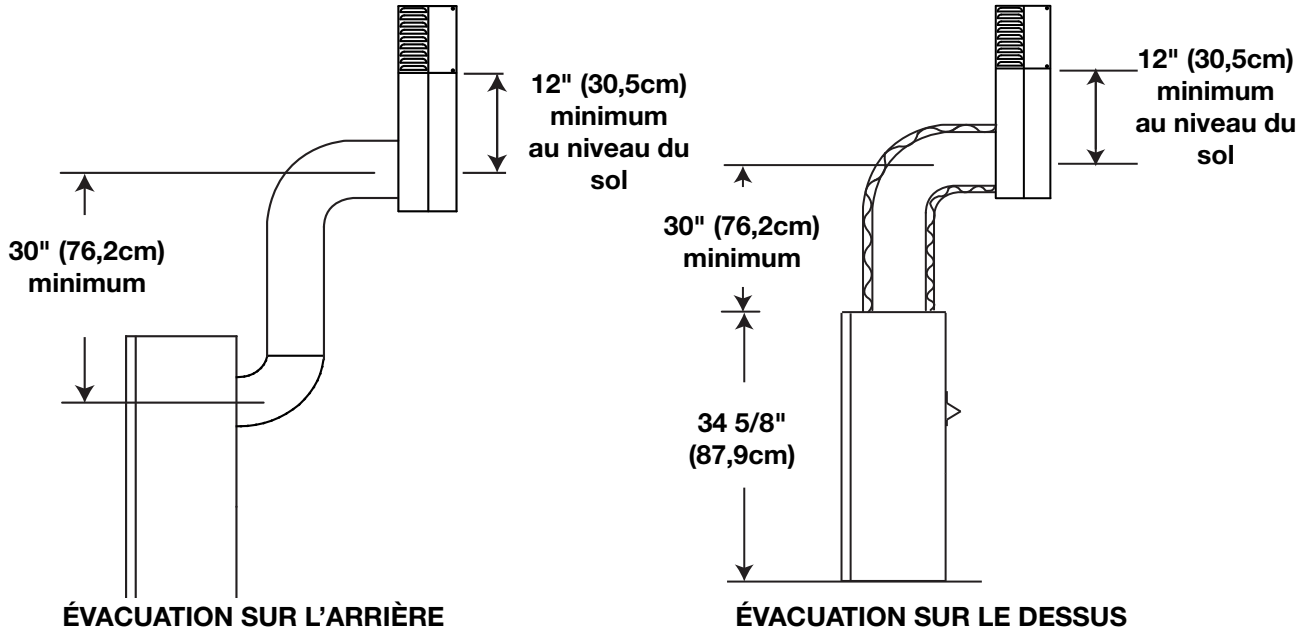
# exigences d'évacuation

## FR 2.2 installations particulières d'événements

### 2.2.1 ensemble périscopique

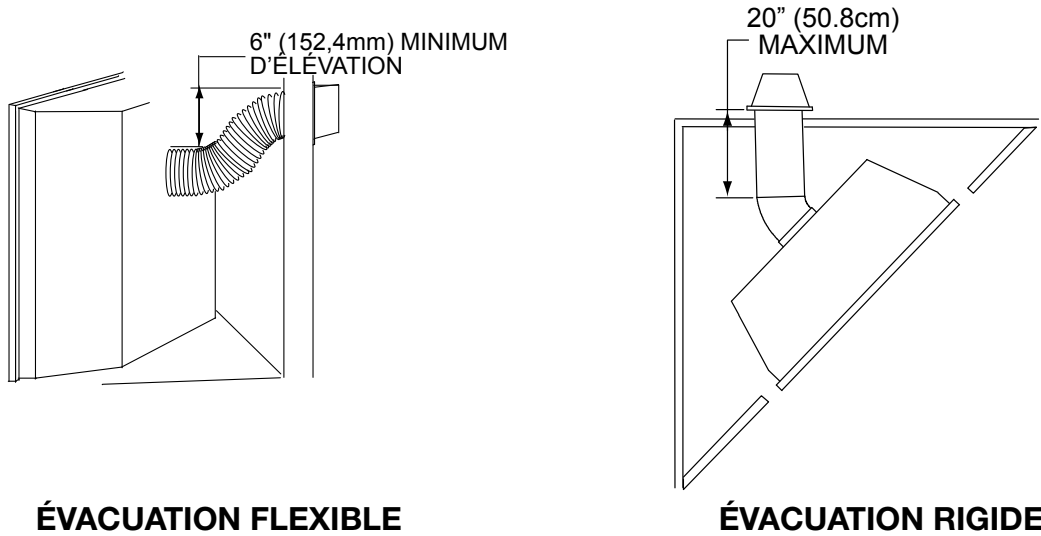
Utilisez l'ensemble périscopique afin de positionner la terminaison au-dessus du niveau du sol. L'ensemble périscopique doit être installé de façon à ce que la fente d'air du bas soit située à un minimum de 12 pouces (305mm) au-dessus du niveau du sol. La longueur maximale permise de l'événement (comprenant l'hauteur et la longueur) est 10 pieds (3m) pour un foyer et 8 pieds (2m) pour une poêle.

Un manchon isolant est illustré dans l'illustration ci-dessous de l'évacuation sur le dessus, utiliser seulement lorsqu'ils sont fournis avec l'appareil. (Un manchon isolant n'est pas requis avec un appareil poêle.)



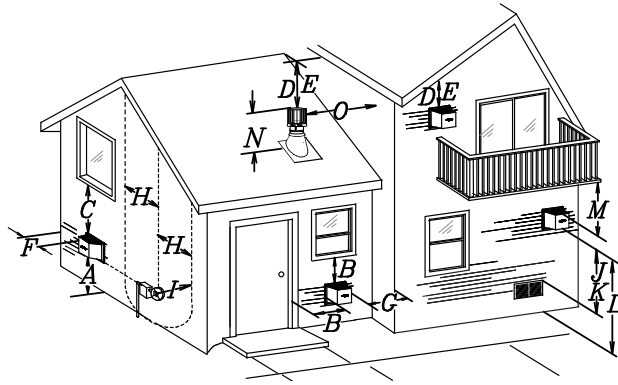
### 2.2.2 installation en coin

Lorsque l'événement est installé en coin, la longueur maximale du conduit d'évacuation est de 20" (50,8cm) de course horizontale, en plus de la déviation de 45°. Dans ce cas, une pente de zéro pouce est acceptable. Voir les illustrations ci-dessous. Il est conseillé de conserver une pente ascendante de 6" (152mm).

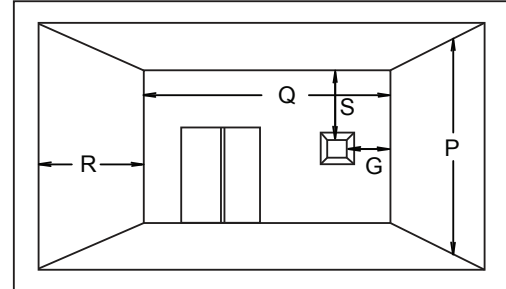


| Pente Requis               |                      |            |
|----------------------------|----------------------|------------|
| Évacuation Arrière en Coin | Événements Rigides   | 0"         |
|                            | Événements Flexibles | 6" (152mm) |

## 2.3 emplacements et dégagements minimaux de la terminaison



### Applications pour balcon couvert ††\*



|   |   |   |
|---|---|---|
| $Q_{\text{MIN}} = 3 \text{ feet}$<br>(0.9m) | $R_{\text{MAX}} = 2 \times Q_{\text{ACTUAL}}$ | $R_{\text{MAX}} \leq 15 \text{ feet}$<br>(4.6m) |
|---|---|---|

|          | INSTALLATIONS             |                         | note:   |
|----------|---------------------------|-------------------------|---|
|          | CANADA                    | É.-U.                   |   |
| <b>A</b> | 12" (30,5cm)              | 12" (30,5cm)            | Dégagement au-dessus du sol, d'une véranda, d'une terrasse en bois ou d'un balcon.  |
| <b>B</b> | 12" (30,5cm) <sup>Δ</sup> | 9" (229mm) <sup>Δ</sup> | Dégagement des fenêtres ou des portes qui ouvrent.  |
| <b>C</b> | 12" (30,5cm)*             | 12" (30,5cm)*           | Dégagement des fenêtres fermées en permanence.  |
| <b>D</b> | 18"<br>(45,7cm)**         | 18"<br>(45,7cm)**       | Dégagement verticale d'un soffite ventilé situé au-dessus de la terminaison si la distance horizontale est de moins de 2' (0,6m) de la ligne médiane de la terminaison.                             |
| <b>E</b> | 12" (30,5cm)**            | 12" (30,5cm)**          | Dégagement d'un soffite non ventilé.  |
| <b>F</b> | 0" (0mm)                  | 0" (0mm)                | Dégagement des murs faisant coin extérieur.   |
| <b>G</b> | 0" (0mm)***               | 0" (0mm)***             | Dégagement des murs extérieurs incombustibles faisant coin intérieur ou aux obstructions incombustibles (cheminée, etc.)  |
|          | 2" (51mm)***              | 2" (51mm)***            | Dégagement des murs extérieurs combustibles faisant coin intérieur ou aux obstructions combustibles (habillage extérieur, etc.).  |
| <b>H</b> | 3' (0,9m)                 | 3' (0,9m)****           | Dégagement horizontale de chaque côté depuis la ligne verticale tirée du centre d'un ensemble de régulateur/compteur pour une distance verticale maximale de 15' (4,6m).                            |
| <b>I</b> | 3' (0,9m)                 | 3' (0,9m)****           | Dégagement d l'évent du régulateur.   |
| <b>J</b> | 12" (30,5cm)              | 9" (229mm)              | Dégagement d'une prise d'air de ventilation non mécanique de la maison ou d'une prise d'air de combustion de tout autre appareil.   |
| <b>K</b> | 6' (1,8m)                 | 3' (0,9m) †             | Dégagement d'une prise d'air mécanique.   |
| <b>L</b> | 7' (2,1m) ‡               | 7' (2,1m) ****          | Dégagement au-dessus d'un trottoir ou d'une entrée pavée situées sur une propriété publique.  |
| <b>M</b> | 12" (30,5cm) ††           | 12" (30,5cm)****        | Dégagement sous une véranda, une porche, une terrasse en bois ou un surplomb.   |
| <b>N</b> | 16" (40,6cm)              | 16" (40,6cm)            | Dégagement au-dessus du toit.   |
| <b>O</b> | 2' (0,6m) †*              | 2' (0,6m) †*            | Dégagement des murs adjacents, incluant les maisons voisines.   |
| <b>P</b> | 8' (2,4m)                 | 8' (2,4m)               | Le toit doit être incombustible et sans ouvertures.   |
| <b>Q</b> | 3' (0,9m)                 | 3' (0,9m)               | Voir le tableau pour les dimensions d'un mur plus large.  |
| <b>R</b> | 6' (1,8m)                 | 6' (1,8m)               | Voir la tableau pour les dimensions d'un mur plus profond. La terminaison ne doit pas être installée sur quelconque mur ayant une ouverture entre la terminaison et le côté ouvert de la structure. |
| <b>S</b> | 12" (30,5cm)              | 12" (30,5cm)            | Dégagement sous un balcon ouvert.   |

Δ Pour les structures comportant trois murs et un toit, la terminaison doit être située à plus de 6 pieds (1,8m) sous une fenêtre s'ouvrant sur un plan horizontal.

\* Recommandé afin de prévenir la formation de buée dans les fenêtres et les cassures thermiques.

\*\* Il est recommandé d'utiliser un protecteur de chaleur et de maximiser la distance au soffite de plastique.

\*\*\* L'ensemble périscopique requiert un dégagement minimal de 18 pouces (45,7cm) d'un mur extérieur faisant coin intérieur.

\*\*\*\* Ceci est une distance recommandée. Vérifiez les codes locaux pour connaître les contraintes additionnelles.

† Trois pieds au-dessus si la distance horizontale est de moins de 10 pieds (3,1m).

‡ Une terminaison d'évacuation ne doit pas être installée à un endroit où elle pourrait causer une formation dangereuse de givre ou de glace sur les surfaces d'une propriété adjacente.

†† Permis seulement si la véranda ou la terrasse en bois sont complètement ouverts sur un minimum de deux côtés sous le plancher.

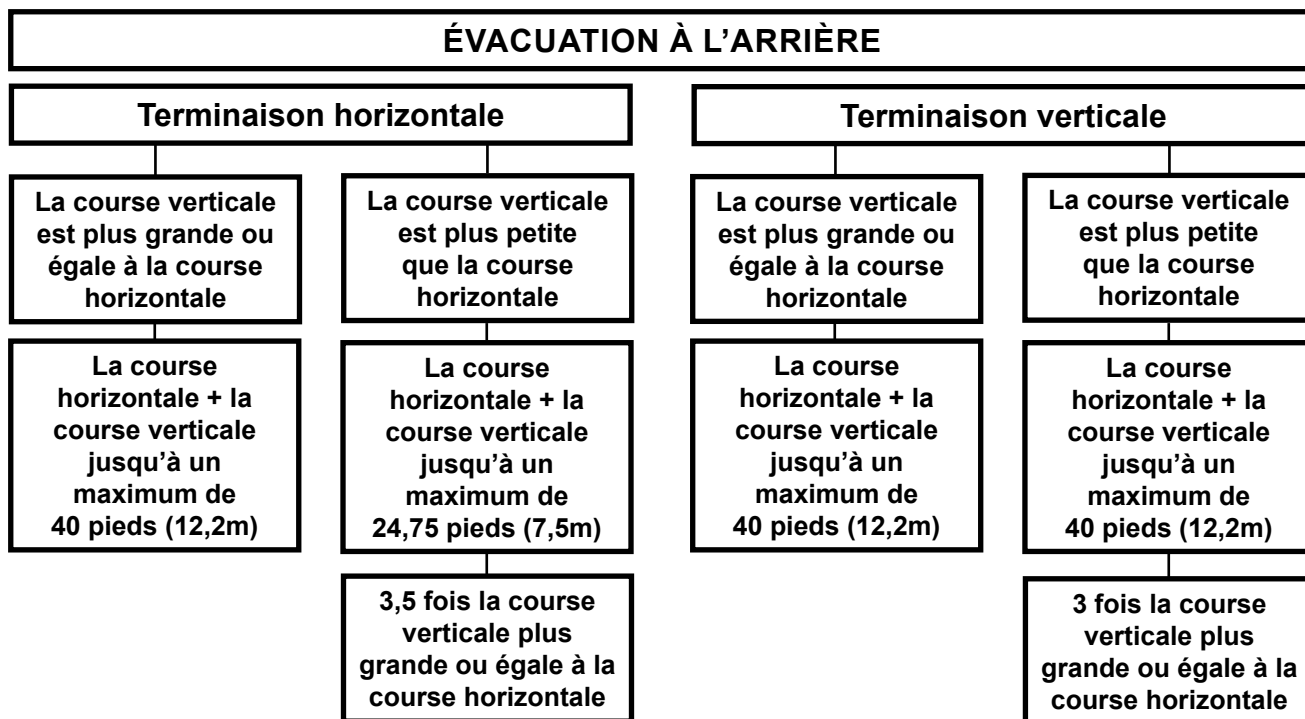
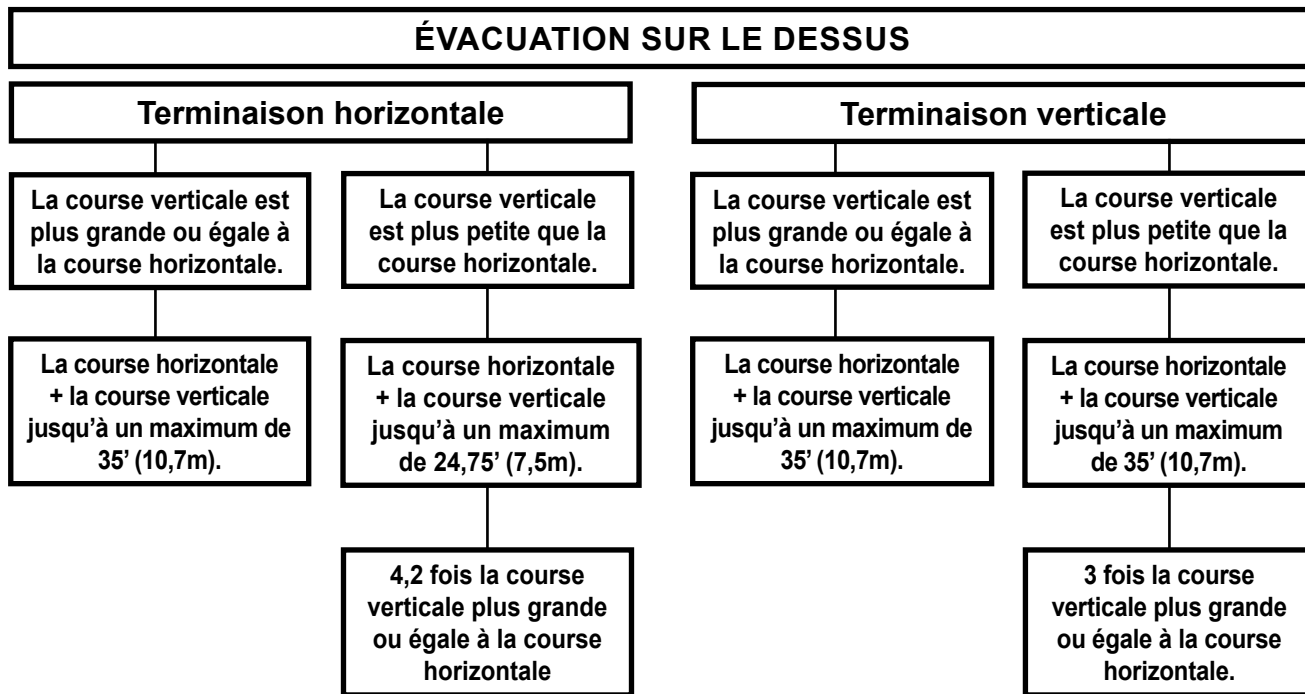
†\* Recommandé afin d'éviter la recirculation des produits d'échappement. Vérifiez les codes locaux pour connaître les contraintes additionnelles.

††\* Permis seulement si le balcon est complètement ouvert sur au moins un côté.

#### note:

Les dégagements doivent être conformes aux codes d'installation locaux et les exigences du fournisseur de gaz. En leur absence, les dégagements doivent être comme indiqué ci-dessous et sont basés sur des codes nationaux.

# exigences d'évacuation



## 2.5 légende

Les symboles suivants sont utilisés dans le calcul et les exemples d'évacuation :

- > - plus grand que
- ≥ - plus grand ou égal à
- < - plus petit que
- ≤ - plus petit ou égal à

$H_T$  - total de la longueur des courses horizontales ( $H_R$ ) et des déviations ( $H_O$ ) en pieds

$H_R$  - longueur des courses horizontales combinées en pieds

$H_O$  - facteur de la valeur d'une déviation : 0,03 (du total des degrés de déviation - 90°\*) en pieds

$V_T$  - longueur des courses verticales combinées en pieds

## 2.6 valeurs du coude en longueurs d'évent

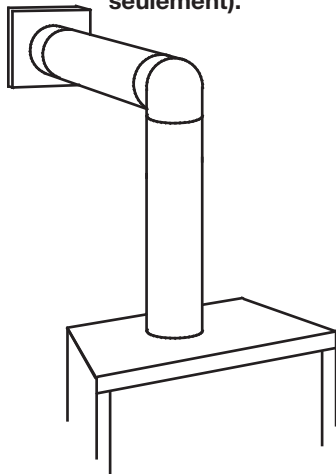
|      | <u>PIEDS</u> | <u>POUCES</u> | <u>MILLIMÈTRES</u> |
|------|--------------|---------------|--------------------|
| 1°   | 0,03         | 0,5           | 12,7               |
| 15°  | 0,45         | 6,0           | 152,4              |
| 30°  | 0,9          | 11,0          | 279,4              |
| 45°  | 1,35         | 16,0          | 406,4              |
| 90°* | 2,7          | 32,0          | 812,8              |

\* La première déviation de 90° a une valeur zéro et est illustrée dans la formule comme - 90°

## 2.7 évacuation sur le dessus terminaison horizontale

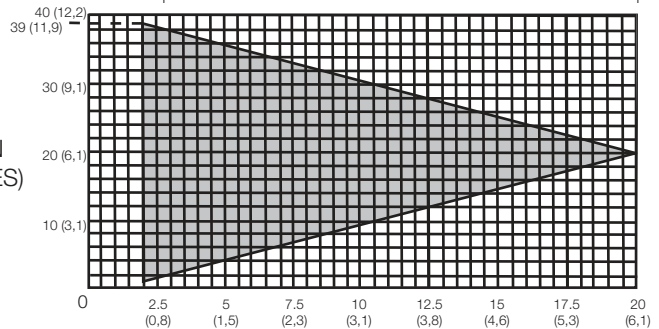
$$(H_T) \leq (V_T)$$

Configuration d'évacuation simple (un coude de 90° seulement).



COURSE VERTICALE REQUISE EN PIEDS (MÈTRES)  
 $V_T$

Consultez le graphique pour déterminer la course verticale nécessaire  $V_T$  par rapport à la course horizontale requise  $H_T$ .



LONGUEUR DES COURSES HORIZONTALES PLUS LES DÉVIATIONS EN PIEDS (MÈTRES)  $H_T$

La section ombragée à l'intérieur des lignes représente des valeurs acceptables pour  $H_T$  et  $V_T$ .

Lorsque la configuration de l'évacuation exige plus d'un coude de 90°, les formules suivantes s'appliquent :

Formule 1 :  $H_T \leq V_T$

Formule 2 :  $H_T + V_T \leq 40$  pieds (12,2m)

Exemple :

$$V_1 = 3 \text{ PI (0,9m)}$$

$$V_2 = 8 \text{ PI (2,4m)}$$

$$V_T = V_1 + V_2 = 3\text{PI (0,9m)} + 8\text{PI (2,4m)} = 11\text{PI (3,4m)}$$

$$H_1 = 2,5 \text{ PI (0,8m)}$$

$$H_2 = 2 \text{ PI (0,6m)}$$

$$H_R = H_1 + H_2 = 2,5\text{PI (0,8m)} + 2\text{PI (0,6m)} = 4,5 \text{ PI (1,4m)}$$

$$H_0 = 0,03 \text{ (trois coudes } 90^\circ - 90^\circ) = 0,03 \text{ (270}^\circ - 90^\circ) = 5,4 \text{ PI (1,6m)}$$

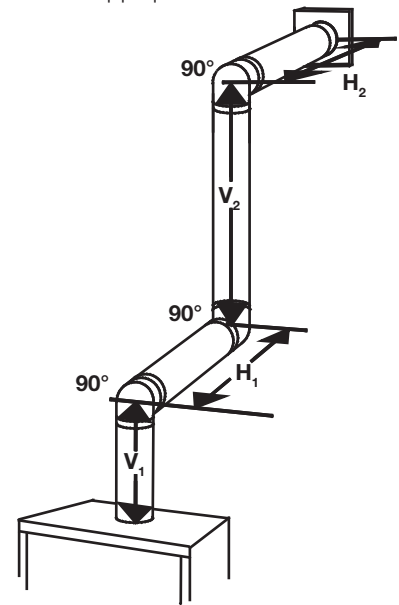
$$H_T = H_R + H_0 = 4,5\text{PI (1,4m)} + 5,4\text{PI (1,6m)} = 9,9 \text{ PI (3m)}$$

$$H_T + V_T = 9,9\text{PI (3m)} + 11\text{PI (3,4m)} = 20,9 \text{ PI (6,4m)}$$

Formule 1 :  $H_T \leq V_T$   
 $9,9\text{PI (3m)} \leq 11\text{PI (3,4m)}$

Formule 2 :  $H_T + V_T \leq 40 \text{ PI (12,2m)}$   
 $20,9\text{PI (6,4m)} \leq 40 \text{ PI (12,2m)}$

Puisque les deux formules sont respectées, cette configuration d'évacuation est acceptable.

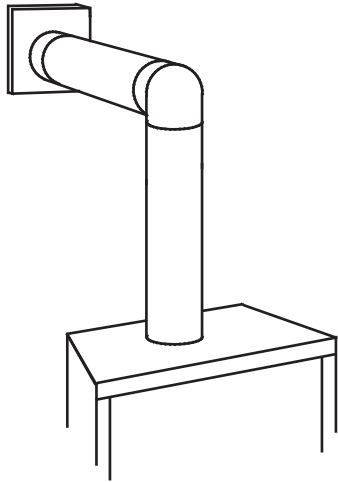


# exigences d'évacuation

FR

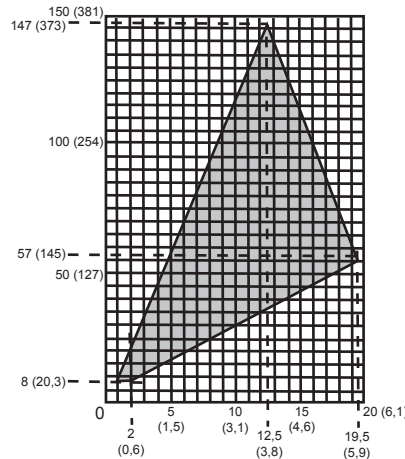
$$(H_T) > (V_T)$$

**Configuration d'évacuation simple  
(un coude de 90° seulement)**



Consultez le graphique pour déterminer la course verticale nécessaire  $V_T$  par rapport à la course horizontale requise  $H_T$ .

COURSE  
VERTICALE  
REQUISE EN  
POUCES  
(CENTIMÈTRES) $V_T$



LONGUEUR DES COURSES HORIZONTALES PLUS LES DÉVIATIONS EN PIEDS (MÈTRES) $H_T$

La section ombragée à l'intérieur des lignes représente des valeurs acceptables pour  $H_T$  et  $V_T$

Lorsque la configuration de l'évacuation exige plus qu'un coude de 90°, les formules suivantes s'appliquent :

**Formule 1 :**  $H_T \leq 4,2 V_T$

**Formule 2 :**  $H_T + V_T \leq 24,75 \text{ pieds (7,5m)}$

**Exemple :**

$V_1 = V_T = 6 \text{ PI (1,8m)}$

$H_1 = 3 \text{ PI (0,9m)}$

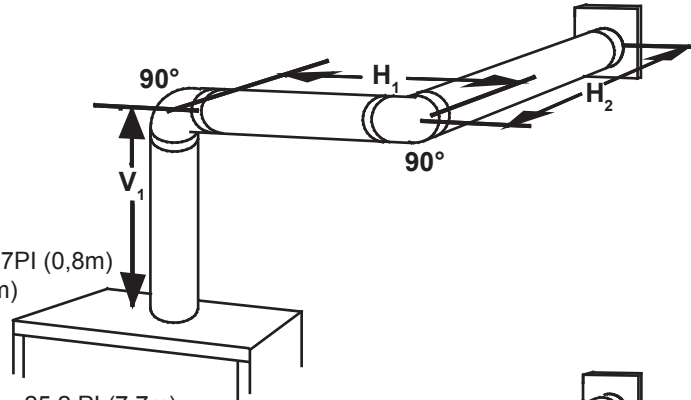
$H_2 = 5 \text{ PI (1,5m)}$

$H_R = H_1 + H_2 = 3 \text{ PI (0,9m)} + 5 \text{ PI (1,5m)} = 8 \text{ PI (2,4m)}$

$H_0 = 0,03 \text{ (deux coudes } 90^\circ - 90^\circ) = 0,03 \text{ (} 180^\circ - 90^\circ) = 2,7 \text{ PI (0,8m)}$

$H_T = H_R + H_0 = 8 \text{ PI (2,4m)} + 2,7 \text{ PI (0,8m)} = 10,7 \text{ PI (3,3m)}$

$H_T + V_T = 10,7 \text{ PI (3,3m)} + 6 \text{ PI (1,8m)} = 16,7 \text{ PI (5,1m)}$



**Formule 1 :**  $H_T \leq 4,2 V_T$

$4,2 V_T = 4,2 \text{ PI (1,3m)} \times 6 \text{ PI (1,8m)} = 25,2 \text{ PI (7,7m)}$

**Formule 2 :**  $H_T + V_T \leq 24,75 \text{ PI (7,5m)}$

$16,7 \text{ PI (5,1m)} \leq 24,75 \text{ PI (7,5m)}$

Puisque les deux formules sont respectées, cette configuration d'évacuation est acceptable.

**Exemple :**

$V_1 = 4 \text{ PI (1,2m)}$

$V_2 = 1,5 \text{ PI (0,5m)}$

$V_T = V_1 + V_2 = 4 \text{ PI (1,2m)} + 1,5 \text{ PI (0,5m)} = 5,5 \text{ PI (1,7m)}$

$H_1 = 2 \text{ PI (0,6m)}$

$H_2 = 1 \text{ PI (0,3m)}$

$H_3 = 1 \text{ PI (0,3m)}$

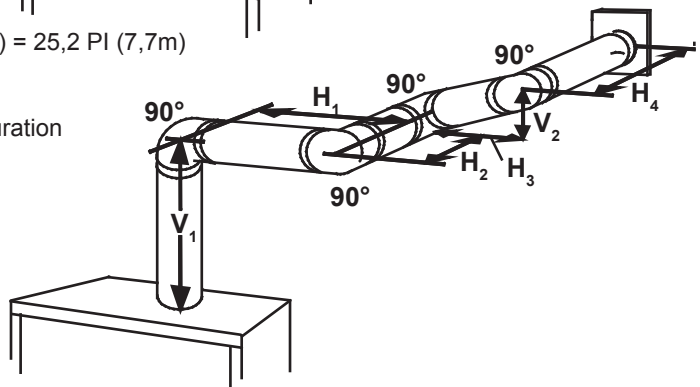
$H_4 = 1,5 \text{ PI (0,5m)}$

$H_R = H_1 + H_2 + H_3 + H_4 = 2 \text{ PI (0,6m)} + 1 \text{ PI (0,3m)} + 1 \text{ PI (0,3m)} + 1,5 \text{ PI (0,5m)} = 5,5 \text{ PI (1,7m)}$

$H_0 = 0,03 \text{ (quatre coudes } 90^\circ - 90^\circ) = 0,03 \text{ (} 360^\circ - 90^\circ) = 8,1 \text{ PI (2,5m)}$

$H_T = H_R + H_0 = 5,5 \text{ PI (1,7m)} + 8,1 \text{ PI (2,5m)} = 13,6 \text{ PI (4,2m)}$

$H_T + V_T = 13,6 \text{ PI (4,2m)} + 5,5 \text{ PI (1,7m)} = 19,1 \text{ PI (5,8m)}$



**Formule 1 :**  $H_T \leq 4,2 V_T$

$4,2 V_T = 4,2 \text{ PI (1,3m)} \times 5,5 \text{ PI (1,7m)} = 23,1 \text{ PI (7m)}$

$13,6 \text{ PI (4,2m)} \leq 23,1 \text{ PI (7m)}$

**Formule 2 :**  $H_T + V_T \leq 24,75 \text{ PI (7,5m)}$

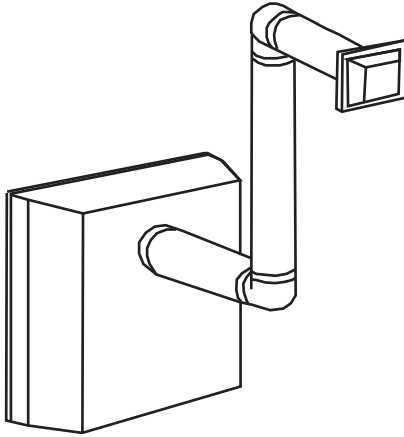
$19,1 \text{ PI (5,8m)} \leq 24,75 \text{ PI (7,5m)}$

Puisque les deux formules sont respectées, cette configuration d'évacuation est acceptable.

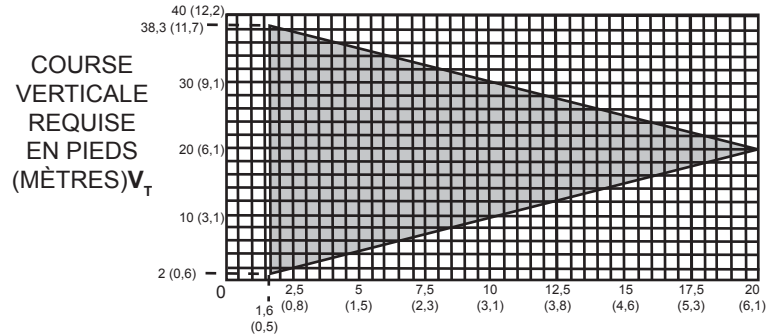
## 2.8 évacuation sur l'arrière terminaison horizontale

$$(H_T) \leq (V_T)$$

Configuration d'évacuation simple  
(deux coudes de 90° seulement)



Consultez le graphique pour déterminer la course verticale nécessaire  $V_T$  par rapport à la course horizontale requise  $H_T$ .



LONGUEUR DES COURSES HORIZONTALES PLUS  
LES DÉVIATIONS EN PIEDS (MÈTRES)  $H_T$

La section ombragée à l'intérieur des lignes représente des valeurs acceptables pour  $H_T$  et  $V_T$

Lorsque la configuration de l'évacuation exige plus qu'un coude de 90°, les formules suivantes s'appliquent :

Formule 1:  $H_T \leq V_T$

Formule 2:  $H_T + V_T \leq 40$  pieds (12,2m)

Exemple:

$$V_1 = 9 \text{ PI (2,7m)}$$

$$V_2 = 6 \text{ PI (1,8m)}$$

$$V_T = V_1 + V_2 = 9 \text{ PI (2,7m)} + 6 \text{ PI (1,8m)} = 15 \text{ PI (4,6m)}$$

$$H_1 = 3 \text{ PI (0,9m)}$$

$$H_2 = 2 \text{ PI (0,6m)}$$

$$H_3 = 1,5 \text{ PI (0,5m)}$$

$$H_R = H_1 + H_2 + H_3 = 3 \text{ PI (0,9m)} + 2 \text{ PI (0,6m)} + 1,5 \text{ PI (0,5m)} = 6,5 \text{ PI (2m)}$$

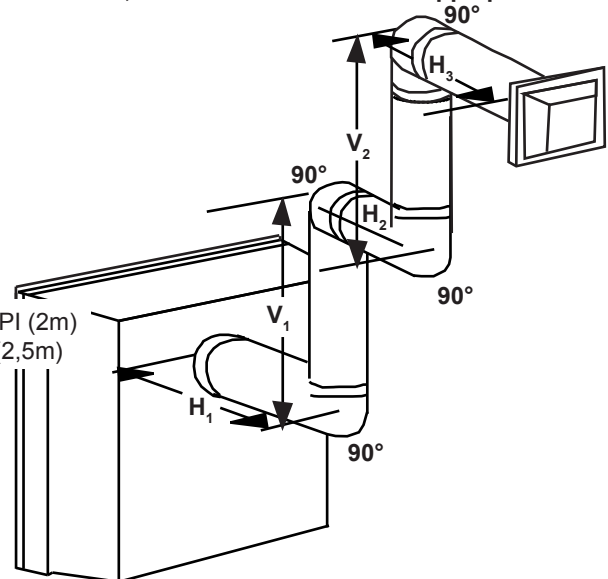
$$H_O = 0,03 \text{ (quatre coudes } 90^\circ - 90^\circ) = 0,03 \text{ (} 360^\circ - 90^\circ) = 8,1 \text{ PI (2,5m)}$$

$$H_T = H_R + H_O = 6,5 \text{ PI (2m)} + 8,1 \text{ PI (2,5m)} = 14,6 \text{ PI (4,5m)}$$

$$H_T + V_T = 14,6 \text{ PI (4,5m)} + 15 \text{ PI (4,6m)} = 29,6 \text{ PI (9m)}$$

Formule 1:  $H_T \leq V_T$   
 $14,6 \text{ PI (4,5m)} \leq 15 \text{ PI (4,6m)}$

Formule 2:  $H_T + V_T \leq 40 \text{ PI (12,2m)}$   
 $29,6 \text{ PI (9m)} \leq 40 \text{ PI (12,2m)}$



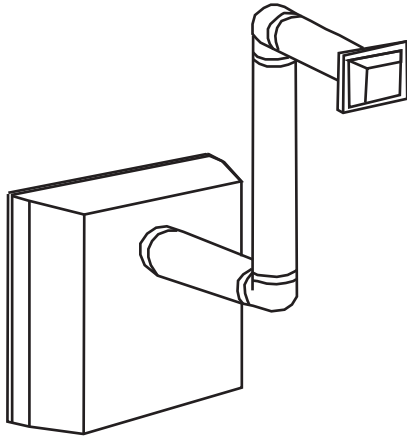
Puisque les deux formules sont respectées, cette configuration d'évacuation est acceptable.

# exigences d'évacuation

FR

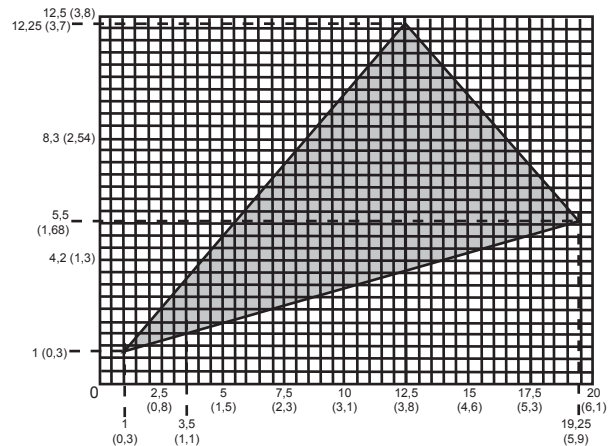
$$(H_T) > (V_T)$$

Configuration d'évacuation simple  
(deux coudes de 90° seulement)



COURSE  
VERTICALE  
REQUISE  
EN PIEDS  
(MÈTRES)  $V_T$

Consultez le graphique pour déterminer la course verticale nécessaire  $V_T$  par rapport à la course horizontale requise  $H_T$ .



LONGUEUR DES COURSES HORIZONTALES PLUS  
LES DÉVIATIONS EN PIEDS (MÈTRES)  $H_T$

La section ombragée à l'intérieur des lignes représente  
des valeurs acceptables pour  $H_T$  et  $V_T$

Lorsque la configuration de l'évacuation exige plus qu'un coude de 90°, les formules suivantes s'appliquent :

Formule 1 :  $H_T \leq 3,5V_T$

Formule 2 :  $H_T + V_T \leq 24,75$  pieds (7,5m)

Exemple :

$V_1 = 4$  PI (1,2m)

$V_2 = 1,5$  PI (0,5m)

$V_T = V_1 + V_2 = 4$ PI (1,2m) + 1,5PI (0,5m) = 5,5 PI (1,7m)

$H_1 = 2$  PI (0,6m)

$H_2 = 1$  PI (0,3m)

$H_3 = 1$  PI (0,3m)

$H_4 = 1,5$  PI (0,5m)

$H_R = H_1 + H_2 + H_3 + H_4 = 2$ PI(0,6m) + 1PI(0,3m) + 1PI(0,3m) + 1,5PI(0,5m) = 5,5PI(1,7m)

$H_o = 0,03$  (quatre coudes 90° + un coude 45° - 90°)

= 0,03 (90 + 90 + 90 + 90 + 45 - 90) = 9,45 PI (2,9m)

$H_T = H_R + H_o = 5,5$ PI (1,7m) + 9,45PI (2,9m) = 14,95PI (4,6m)

$H_T + V_T = 14,95$ PI (4,6m) + 5,5PI (1,7m) = 20,45PI (6,2m)

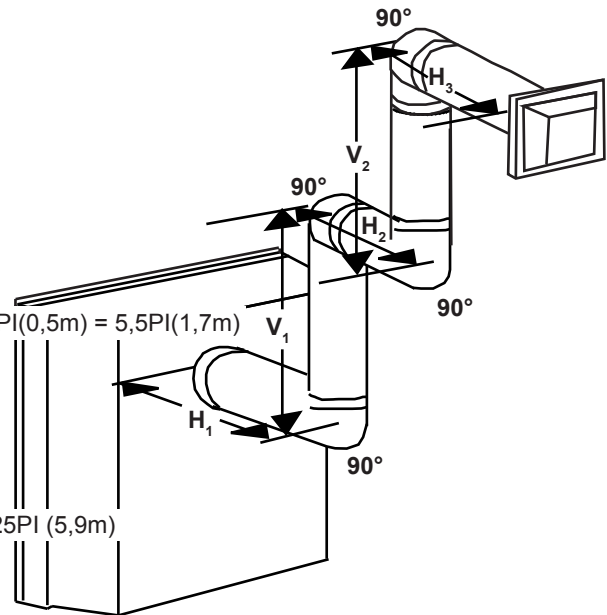
Formule 1 :  $H_T \leq 3,5V_T$

$3,5V_T = 3,5$ PI (1,1m) x 5,5PI (1,7m) = 19,25PI (5,9m)

14,95 PI (4,6m)  $\leq$  19,25 PI (5,9m)

Formule 2 :  $H_T + V_T \leq 24,75$  PI (7,5m)

20,45 PI (6,2m)  $\leq$  24,75 PI (7,5m)



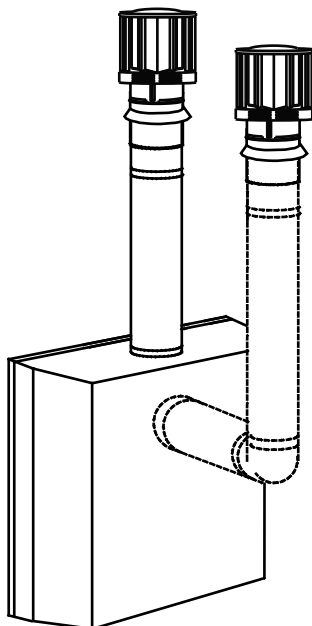
Puisque les deux formules sont respectées, cette configuration d'évacuation est acceptable.



## 2.9 évacuation sur l'arrière et au dessus terminaison verticale

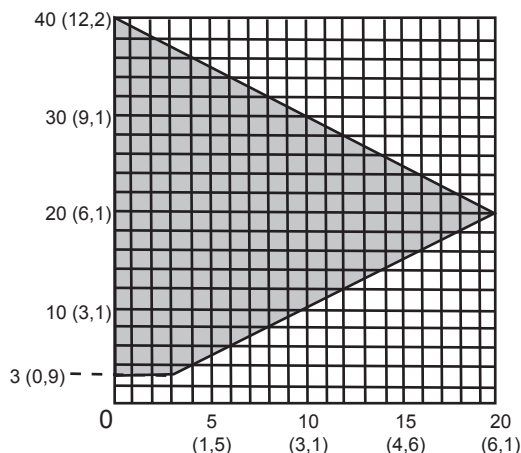
$$(H_T) \leq (V_T)$$

Configurations d'évacuation simples.



Consultez le graphique pour déterminer la course verticale nécessaire  $V_T$  par rapport à la course horizontale requise  $H_T$ .

COURSE  
VERTECALE  
REQUISE EN  
PIEDS  
(MÈTRES)  $V_T$



LONGUEUR DES COURSES HORIZONTALES PLUS LES DÉVIATIONS EN PIEDS (MÈTRES)  $H_T$

La section ombragée à l'intérieur des lignes représente des valeurs acceptables pour  $H_T$  et  $V_T$

Lorsque les configurations de l'évacuation exigent plus que zéro coude de 90° (évacuation sur le dessus) ou un coude de 90° (évacuation à l'arrière), les formules suivantes s'appliquent :

Formule 1:  $H_T \leq V_T$

Formule 2:  $H_T + V_T \leq 40$  pieds (12,2m)

Exemple:

$$V_1 = 5 \text{ PI (1,5m)}$$

$$V_2 = 6 \text{ PI (1,8m)}$$

$$V_3 = 10 \text{ PI (3,1m)}$$

$$V_T = V_1 + V_2 + V_3 = 5\text{PI (1,5m)} + 6\text{PI (1,8m)} + 10\text{PI (3,1m)} = 21\text{PI (6,4m)}$$

$$H_1 = 8 \text{ PI (2,4m)}$$

$$H_2 = 2,5 \text{ PI (0,8m)}$$

$$H_R = H_1 + H_2 = 8\text{PI (2,4m)} + 2,5\text{PI (0,8m)} = 10,5\text{PI (3,2m)}$$

$$H_o = 0,03 \text{ (quatre coudes } 90^\circ - 90^\circ)$$

$$= 0,03 (360^\circ - 90^\circ) = 8,1 \text{ PI (2,5m)}$$

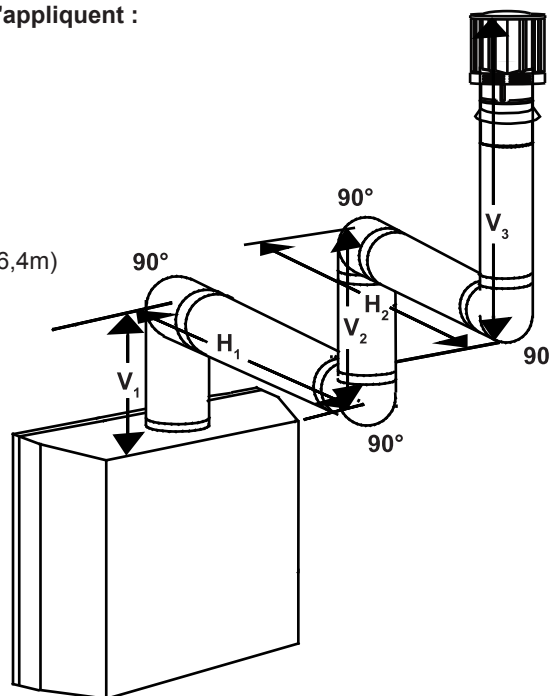
$$H_T = H_R + H_o = 10,5\text{PI (3,2m)} + 8,1\text{PI (2,5m)} = 18,6\text{PI (5,7m)}$$

$$H_T + V_T = 18,6\text{PI (5,7m)} + 21\text{PI (6,4m)} = 39,6\text{PI (12,1m)}$$

Formule 1:  $H_T \leq 3,5V_T$   
 $18,6 \text{ PI (5,7m)} \leq 21 \text{ PI (6,4m)}$

Formule 2:  $H_T + V_T \leq 40 \text{ PI (12,2m)}$   
 $39,6\text{PI (12,1m)} \leq 40 \text{ PI (12,2m)}$

Puisque les deux formules sont respectées, cette configuration d'évacuation est acceptable

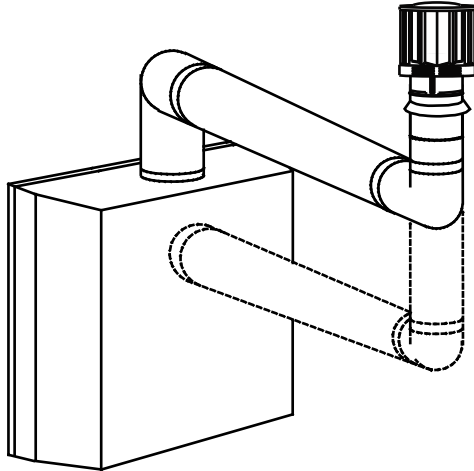


# exigences d'évacuation

FR

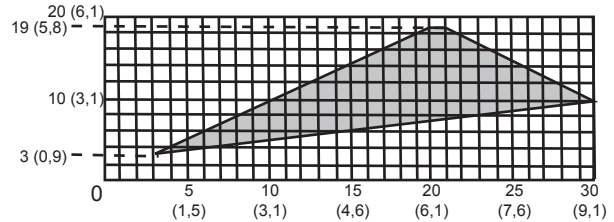
$$(H_T) > (V_T)$$

Configurations d'évacuation simples.



COURSE VERTICALE REQUISE EN PIEDS (MÈTRES)  $V_T$

Consultez le graphique pour déterminer la course verticale nécessaire  $V_T$  par rapport à la course horizontale requise  $H_T$ .



LONGUEUR DES COURSES HORIZONTALES PLUS LES DÉVIATIONS EN PIEDS (MÈTRES)  $H_T$

La section ombragée à l'intérieur des lignes représente des valeurs acceptables pour  $H_T$  et  $V_T$

Lorsque les configurations de l'évacuation exigent plus que zéro coude de 90° (évacuation sur le dessus) ou un coude de 90° (évacuation à l'arrière), les formules suivantes s'appliquent :

Formule 1 :  $H_T \leq 3 V_T$

Formule 2 :  $H_T + V_T \leq 40$  pieds (12,2m)

Exemple :

$V_1 = 2$  PI (0,6m)

$V_2 = 1$  PI (0,3m)

$V_3 = 1,5$  PI (0,5m)

$V_T = V_1 + V_2 + V_3 = 2\text{PI} (0,6\text{m}) + 1\text{PI} (0,3\text{m}) + 1,5\text{PI} (0,5\text{m}) = 4,5\text{PI} (1,4\text{m})$

$H_1 = 6$  PI (1,8m)

$H_2 = 2$  PI (0,6m)

$H_R = H_1 + H_2 = 6\text{PI} (1,8\text{m}) + 2\text{PI} (0,6\text{m}) = 8$  PI (2,4m)

$H_0 = 0,03$  (quatre coudes 90° - 90°)

$= 0,03 (360^\circ - 90^\circ) = 8,1$  PI (2,5m)

$H_T = H_R + H_0 = 8\text{PI} (2,4\text{m}) + 8,1\text{PI} (2,5\text{m}) = 16,1$  PI (4,9m)

$H_T + V_T = 16,1\text{PI} (4,9\text{m}) + 4,5\text{PI} (1,4\text{m}) = 20,6$  PI (6,3m)

Formule 1 :  $H_T \leq 3V_T$

$3V_T = 3$  PI (0,9m) x 4,5 PI (1,4m) = 13,5 PI (4,1m)

$16,1\text{PI} (4,9\text{m}) > 13,5$  PI (4,1m)

Puisque cette formule n'est pas respectée, cette configuration d'évacuation est **inacceptable**.

Formule 2 :  $H_T + V_T \leq 40$  PI (12,2m)

$20,6$  PI (4,9m)  $\leq 40$  PI 12,2m

Puisque seulement la formule 2 est respectée, cette configuration est inacceptable et l'on devra trouver un autre endroit pour installer l'appareil ou trouver une configuration d'évacuation qui pourra respecter les deux formules.

Exemple :

$V_1 = 1,5$  PI (0,5m)

$V_2 = 5$  PI (1,5m)

$V_T = V_1 + V_2 = 1,5\text{PI} (0,5\text{m}) + 5\text{PI} (1,5\text{m}) = 6,5$  PI (2m)

$H_1 = 1$  PI (0,3m)

$H_2 = 1$  PI (0,3m)

$H_3 = 10,75$  PI (3,3m)

$H_R = H_1 + H_2 + H_3 = 1\text{PI} (0,3\text{m}) + 1\text{PI} (0,3\text{m}) + 10,75\text{PI} (3,3\text{m}) = 12,75\text{PI} (3,9\text{m})$

$H_0 = 0,03$  (trois coudes 90° + un coude 45° - 90°)

$= 0,03 (270^\circ + 45^\circ - 90^\circ) = 6,75\text{PI} (2,1\text{m})$

$H_T = H_R + H_0 = 12,75\text{PI} (3,9\text{m}) + 6,75\text{PI} (2,1\text{m}) = 19,5\text{PI} (5,9\text{m})$

$H_T + V_T = 19,5$  PI (5,9m) + 6,5 PI (2m) = 26 PI (7,9m)

Formule 1 :

$H_T \leq 3 V_T$

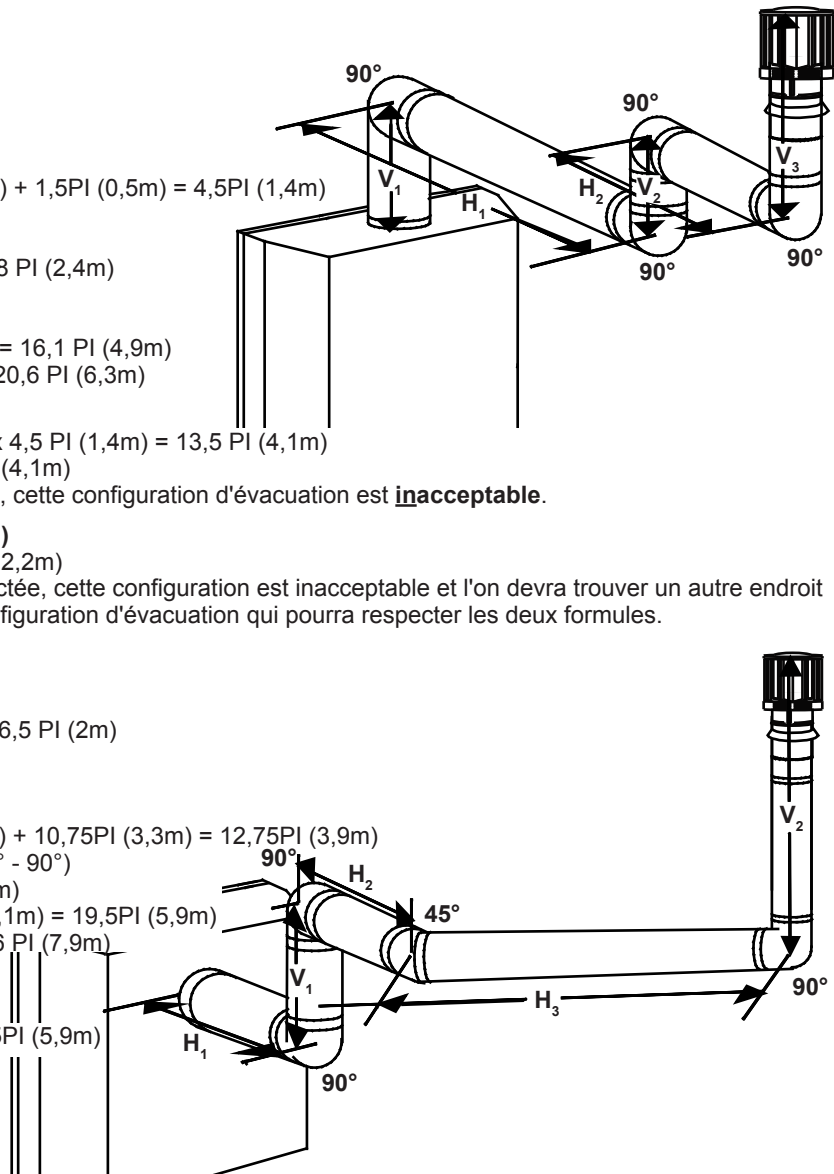
$3 V_T = 3$  PI (0,9m) x 6,5 PI (2m) = 19,5 PI (5,9m)

$19,5$  PI (5,9m) = 19,5 PI (5,9m)

Formule 2 :

$H_T + V_T \leq 40$  PI (12,2m)

$26$  PI (7,9m)  $\leq 40$  PI (12,2m)



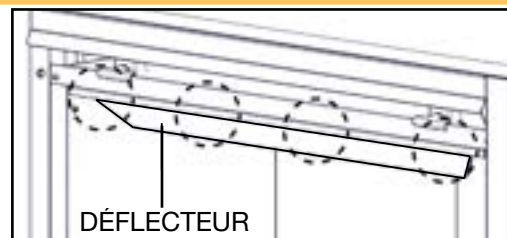
Puisque les deux formules sont respectées, cette configuration d'évacuation est acceptable.

## 2.10 évacuation à l'arrière

### **! AVERTISSEMENT**

- Il est essentiel que le couvercle d'évacuation soit installé. si non, l'appareil ne fonctionnera pas correctement et pourrait causer des blessures ou des dommages matériels.

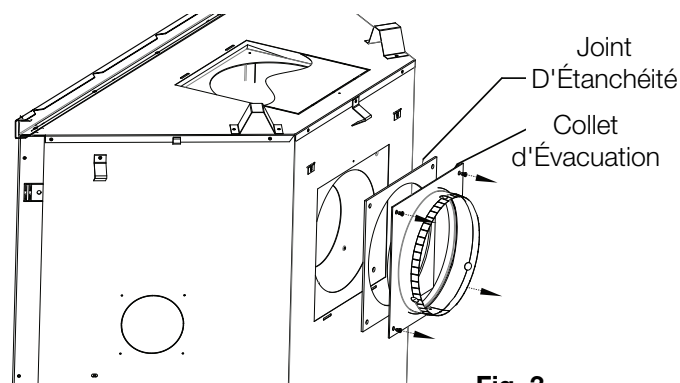
- Enlevez l'écran de protection et vitre de la porte (voir la section « installation et enlèvement de l'écran de protection et la porte »).
- Enlevez le contenu de l'intérieur de la chambre de combustion, vous aurez besoin de la collet d'évacuation de 4" (102mm).
- Retirez les quatre tête hexagonale de fixation du déflecteur de l'intérieur de la partie supérieure avant de la chambre de combustion **(Fig. 1)**.
- Placez les joint d'étanchéité (fourni) au cours de l'assemblage du collet d'évacuation de 4" (102mm) et plier le long de la perforation.
- De l'intérieur de la chambre de combustion, insérez le collet d'évacuation de 4" (102mm). Installez le déflecteur du ventilation arrière sur le col 4" (102mm) de combustion (voir la section « déflecteur du ventilation arrière »).
- Fixez l'assemblage et support du déflecteur à l'arrière et dans le haut de l'appareil à l'aide des quatre vis à tête 3/8" filetage vis à tête **(Fig. 2)**.


**Fig. 1**

**Fig. 2**
**note:**

Ne serrez pas trop les vis. Il suffirait d'appuyer le joint d'étanchéité contre la chambre de combustion.

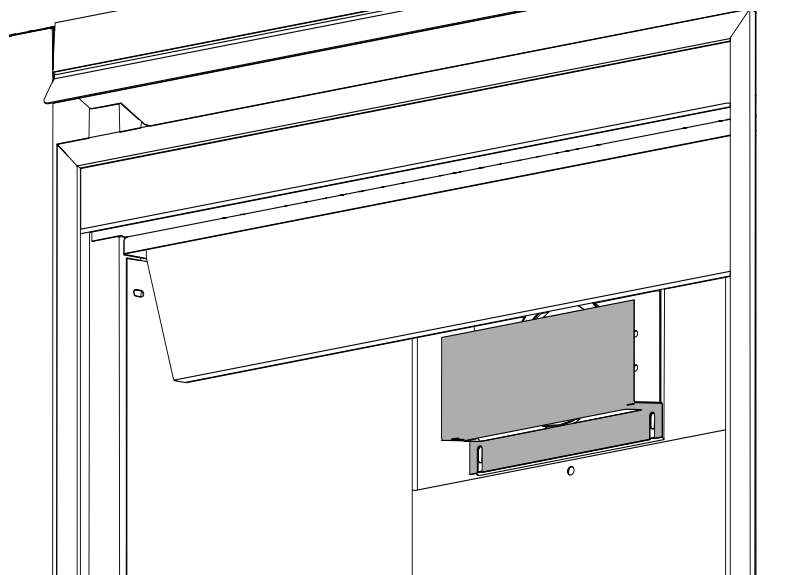
- Réinstallez la déflecteur supérieur avec les 4 vis. Installez les ensemble de bûches, vitre de la porte et l'écran de protection.
- Installez l'assemblage du collet de 7", complet avec le joint d'étanchéité sur le panneau arrière autour du collet de 4" (101,6mm) avec les vis fourni **(Fig. 3)**.


**Fig. 3**

# exigences d'évacuation

## FR 2.11 déфлекeur du ventilation arrière (pour l'application de ventilation arrière)

- A. Retirez l'assemblage de l'écran de protection et la porte de l'appareil (voir la section « installation et enlèvement de l'écran de protection et la porte »).
- B. Desserrez les deux vis servant à fixer la plaque d'évacuation, installez le déflecteur en glissant les ouvertures en forme de fentes derrière les têtes de vis, puis resserrez les vis (**Fig. 1**).
- C. Réinstallez la porte et l'assemblage de l'écran de protection sur l'appareil (voir la section « installation et enlèvement de l'écran de protection et la porte »).



**Fig. 1**

**note:**

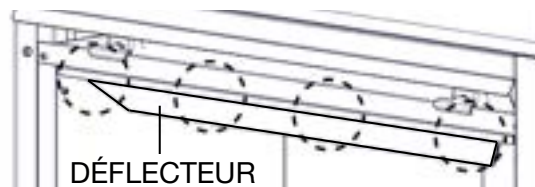
Cette déflecteur est installée pour bloquer la vue à travers l'évacuation à l'extérieur.

## 2.12 évacuation sur le dessus

### ! AVERTISSEMENT

- Il est essentiel que le couvercle d'évacuation soit installé, si non, l'appareil ne fonctionnera pas correctement et pourrait causer des blessures ou des dommages matériels.

- A.** Enlevez l'écran de protection et vitre de la porte (voir la section « installation et enlèvement de l'écran de protection et la porte »).
- B.** Enlevez le contenu de l'intérieur de la chambre de combustion. Vous aurez besoin de la collet d'évacuation et d'entrée d'air.
- C.** Pour faciliter l'assemblage, retirez les quatre tête hexagonale de fixation du déflecteur de l'intérieur de la partie supérieure avant de la chambre de combustion (**Fig. 1**).



**Fig. 1**

- D.** Retirez la couvercle extérieure et le joint d'étanchéité en retirant les quatre vis. Installez la couvercle extérieure et le joint d'étanchéité à l'arrière de l'appareil utilisant les quatre vis précédement enlever (**Fig. 2**).
- E.** Retirez et **jetez** le joint d'étanchéité de 1 1/2" (38,1mm) d'épaisseur (**Fig. 2**).
- F.** Placez le collet d'évacuation de 7" (177,8mm) et le joint d'étanchéité en haut de l'appareil, et fixez en place utilisant ques vis.

**indice:**

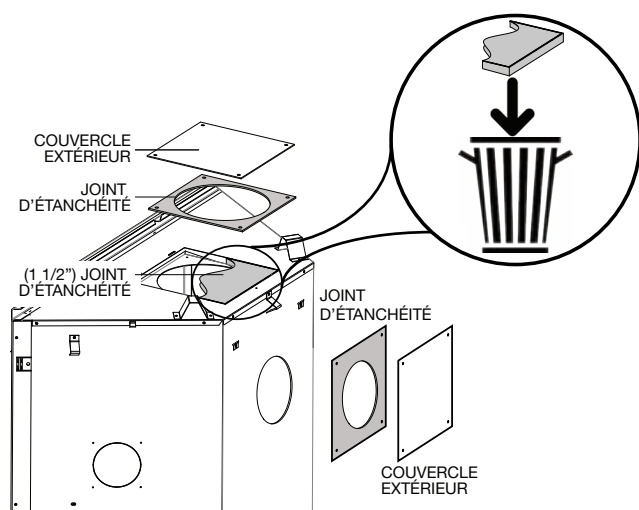
Les vis sont emballés séparément dans leur propre sac.

- G.** À partir de l'intérieur de l'appareil, installez le collet d'évacuation de 4" (101,6mm) avec le joint d'étanchéité, vers le haut de l'appareil et fixer en place utilisant les quatre vis noir de 3/4" à tête hexagonale fourni dans le sac manuel.

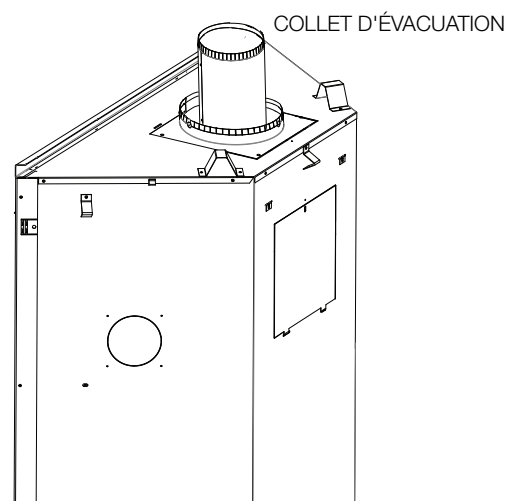
**note:**

Ne serrez pas trop les vis. Il suffit d'appuyer le joint d'étanchéité contre la chambre de combustion.

- H.** Réinstallez la déflecteur, les bûches, la vitre de la porte et l'écran de protection.



**Fig. 2**



**Fig. 3**

## 3.0 encadrement approximatif

FR

### note:

Lorsque vous installez les accessoires de finition optionnelles, les dimensions de l'ossature et les matériaux de finition peuvent différer de ce qui est décrit dans ces instructions ci-dessous, voir les instructions fournies dans le trousse de l'accessoire pour les spécifications détaillées.

### AVERTISSEMENT

- Risque d'incendie!
- Afin d'éviter la possibilité que de l'isolation ou un coupe-vapeur entrent en contact avec l'extérieur du caisson, il est conseillé d'installer l'appareil contre des murs finis (C.-À-D. panneau de gypse) comme tout autre mur de la maison. Ceci assurera que les dégagements aux matériaux combustibles est maintenu.
- Ne faites pas d'entailles à l'ossature autour des espaceurs. Ne pas maintenir les dégagements peut causer une surchauffe et un incendie. Empêchez tout contact avec de l'isolant qui s'affaisse, avec l'ossature ou avec tout autre matériau combustible. Bloquez l'entrée de l'enceinte pour empêcher l'infiltration d'isolant soufflé. Assurez-vous que l'isolation et les autres matériaux sont bien fixés.
- Lorsque vous construisez l'enceinte, prévoyez l'épaisseur des matériaux de finition pour maintenir les dégagements. Si l'ossature ou les matériaux de finition se trouvent à une distance inférieure à celle indiquée, ils doivent être faits d'acier, de fer, de brique, de tuile, de béton, d'ardoise, de verre ou de plâtre, ou d'une combinaison de ces matériaux sont appropriés. Les matériaux répondant à la norme ASTM E 136, méthode de test standard du comportement des matériaux dans une fournaise avec tube vertical à 1382°F (750°C), et à la norme UL763 sont considérés comme étant des matériaux non combustibles.
- Afin d'éviter un risque d'incendie, les dégagements minimaux aux matériaux combustibles doivent être maintenus.
- L'enceinte de l'appareil doit respecter la hauteur minimale requise. Mesurez à partir de la base de l'appareil.
- Si des ensembles de montants en acier avec panneau de ciment sont fournis, ou spécifié dans les instructions d'installation, ils doivent être installés.
- Si spécifié dans les instructions d'installation, les matériaux de finition doivent être non-combustibles placer éclat avec le face de l'appareil étendue du sommet de l'appareil comme le conseil de ciment, le carreau en céramique, le marbre, etc. N'utilisez pas des bûches ou le cloison sèche. N'importe quel feu à évalué du cloison sèche n'est pas acceptable.

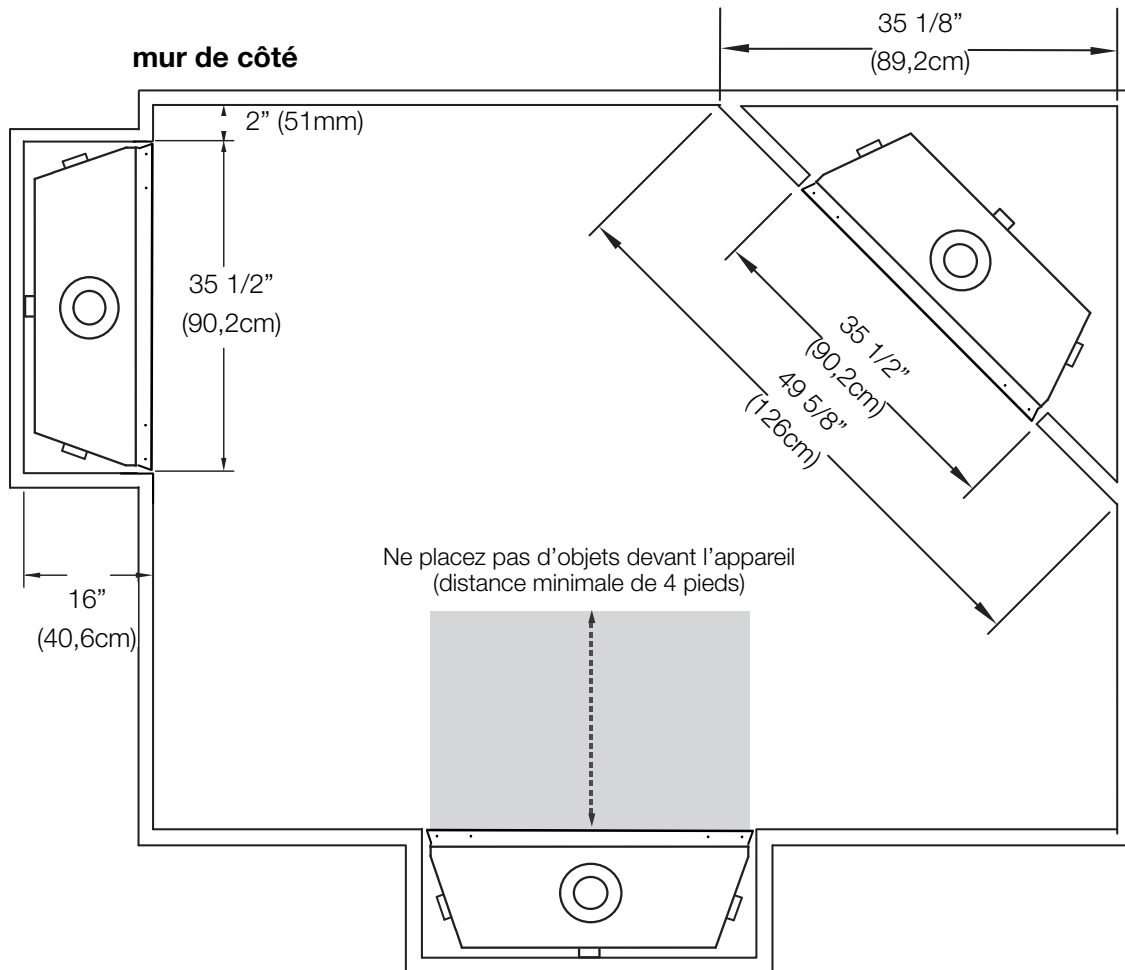
## 3.1 dégagements minimaux de l'ossature

**SECTIONS D'ÉVENTS HORIZONTALES:** Un dégagement minimal aux matériaux combustibles de 1" (25mm) au-dessous et sur les côtés de l'évent et de 3" (76,2mm) au-dessus doit être maintenu sur toutes les courses horizontales.

**note:**

Les dégagements minimaux entre le haut de l'évent et les matériaux combustibles peut être réduite de 3" (76,2mm) à 1" (25mm) dans ces installations avec une évent verticale de minimum 38" (96,5cm) faite immédiatement au collet de l'appareil.

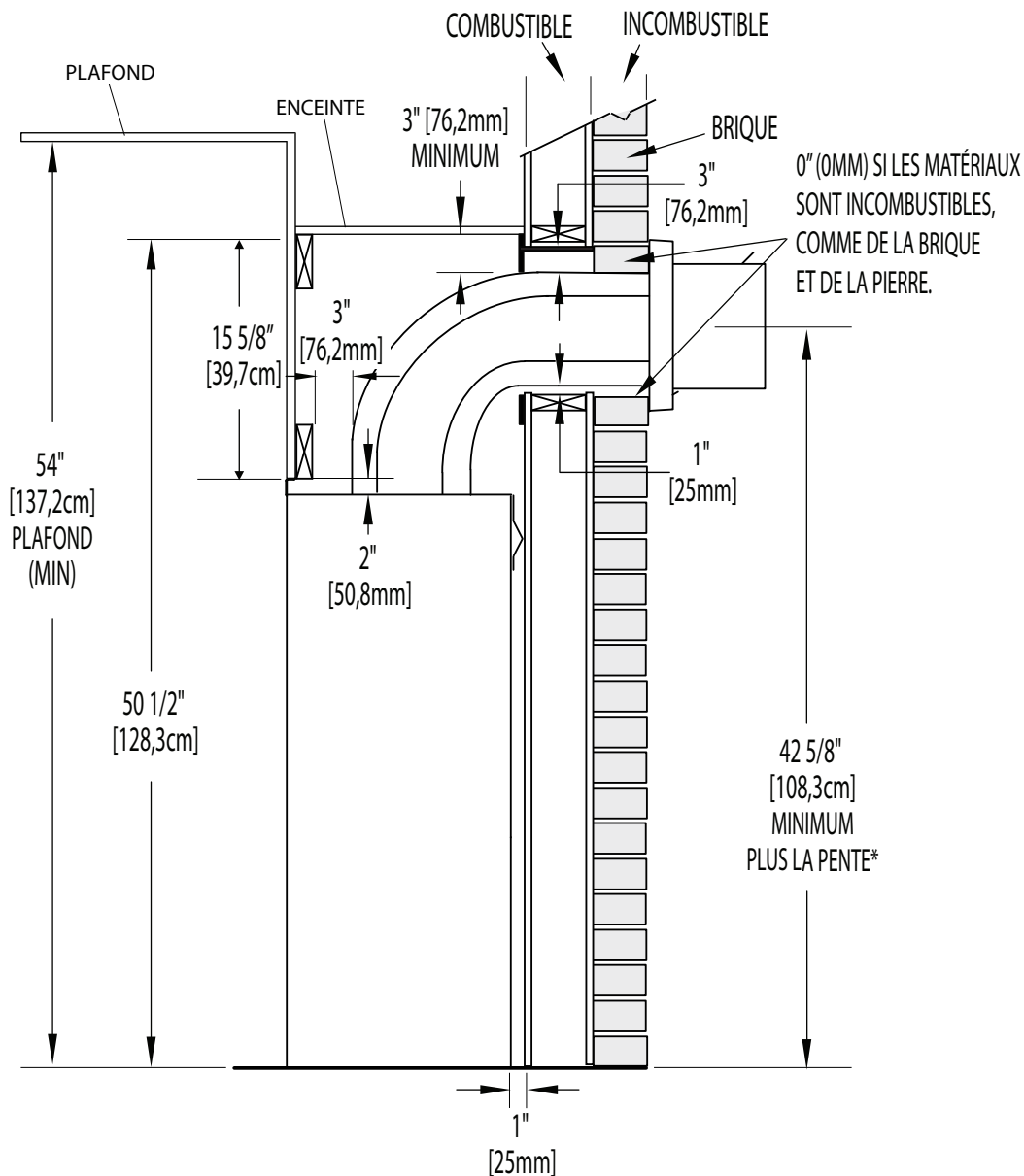
**SECTIONS D'ÉVENTS VERTICALES** Un dégagement minimal aux matériaux combustibles de 1" (25mm) est requis sur toutes les courses verticales à l'exception des dégagements à l'intérieur de l'enceinte de l'appareil. Les courses verticales dans l'enceinte doivent maintenir un dégagement aux matériaux combustibles de 3" (76,2cm). Voir la section « dégagements minimaux de l'enceinte ».



# encadrement approximatif

## FR 3.2 dégagements minimaux de l'enceinte

### ÉVACUATION SUR LE DESSUS



#### ENCEINTE AVEC ÉVACUATION SUR LE DESSUS

L'enceinte de l'appareil doit avoir une hauteur minimale de 50 1/2" (128,3cm). Afin de respecter les contraintes de température, l'espace à l'intérieur de l'enceinte, autour de l'appareil et au-dessus, doit demeurer sans obstruction.

#### note:

L'écran de protection est télescopique et doit être ajusté à protéger toute la profondeur de la pénétration de la paroi combustible.

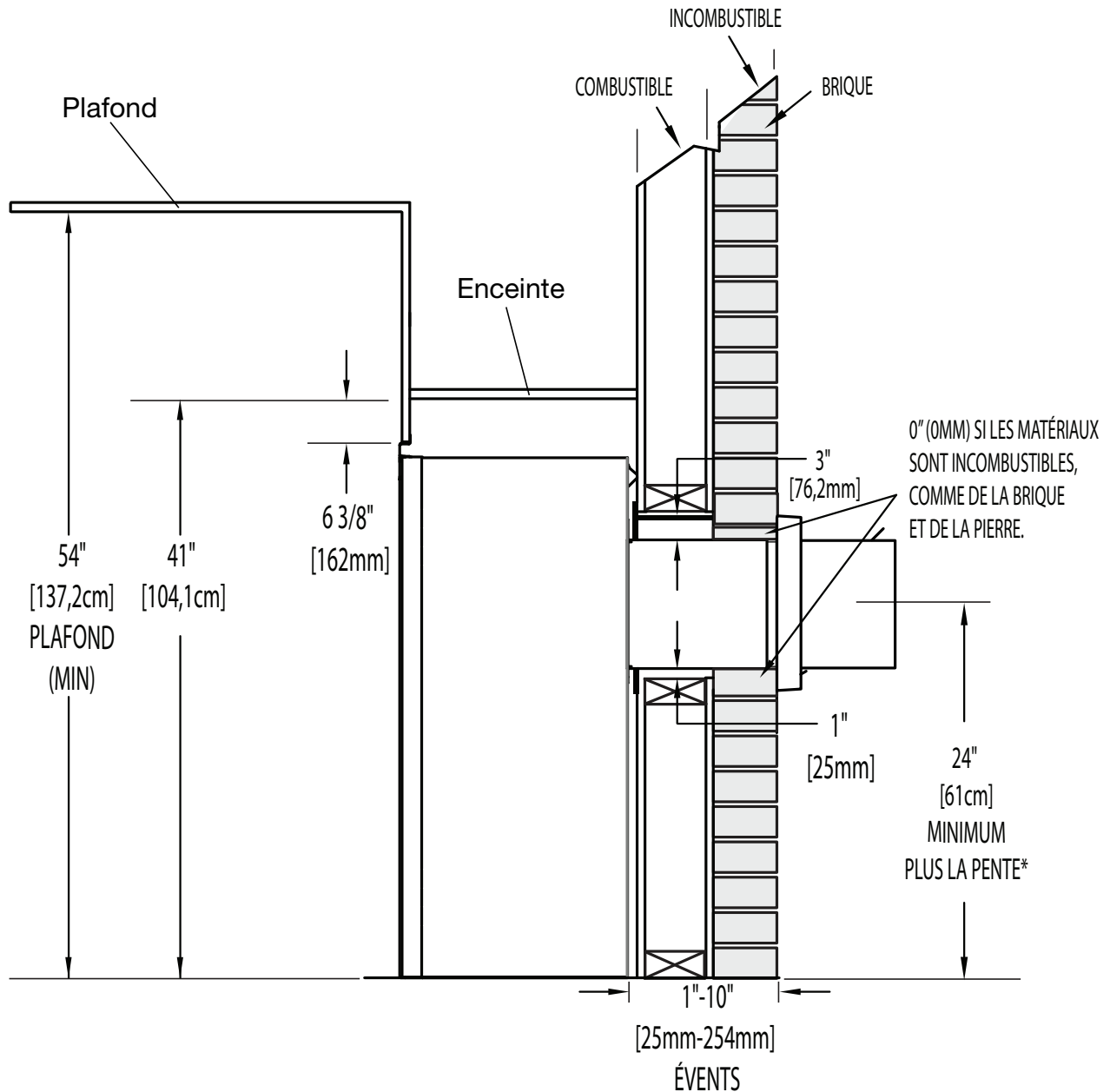
\* Voir la section « dimensions minimale de l'ossature » pour plus d'informations sur la réduction d'évacuation tuyau supérieur dégagements.

Ces paramètres s'appliquent également aux toutes les illustration de cette section.



## ÉVACUATION À L'ARRIÈRE

Pour la ventilation arrière ne dépassement pas 10" (254mm) de section horizontale de ventilation.



### ENCEINTE AVEC ÉVACUATION À L'ARRIÈRE

L'enceinte de l'appareil doit avoir une hauteur minimale de 41" (104,1cm). Afin de respecter les contraintes de température, l'espace à l'intérieur de l'enceinte, autour de l'appareil et au-dessus, doit demeurer sans obstruction.

**note:**

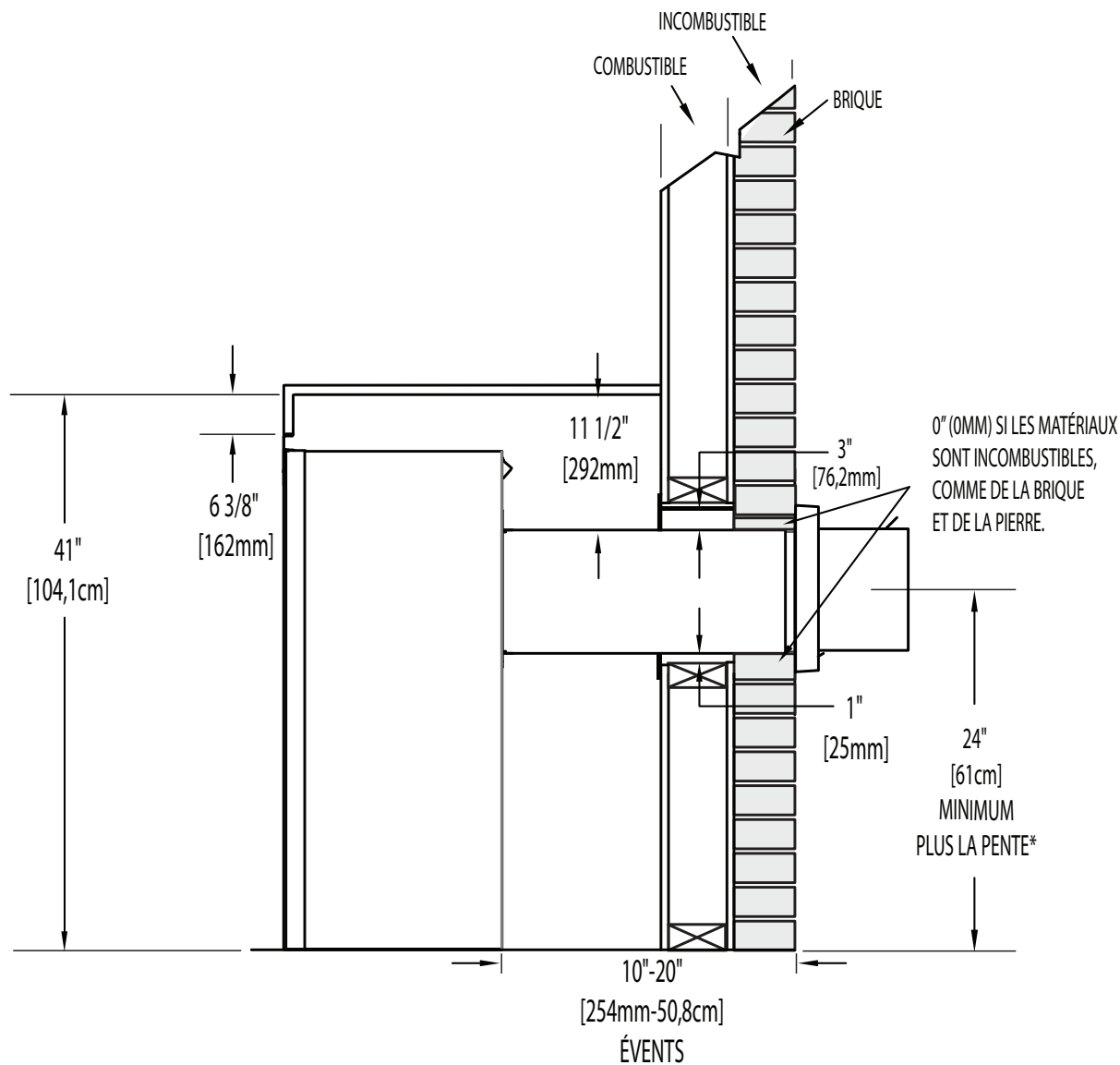
L'écran de protection est télescopique et doivent être ajusté à protection toute la profondeur de la pénétration de la paroi combustible.

\* Voir la section « évacuation ».

# encadrement approximatif

FR

## DÉGAGEMENTS MAXIMAUX D'ÉVACUATION À L'ARRIÈRE (EXEMPLE 1: NICHE / BUMPOUT / ALCÔVE INTÉRIEUR)



### ENCEINTE AVEC ÉVACUATION À L'ARRIÈRE

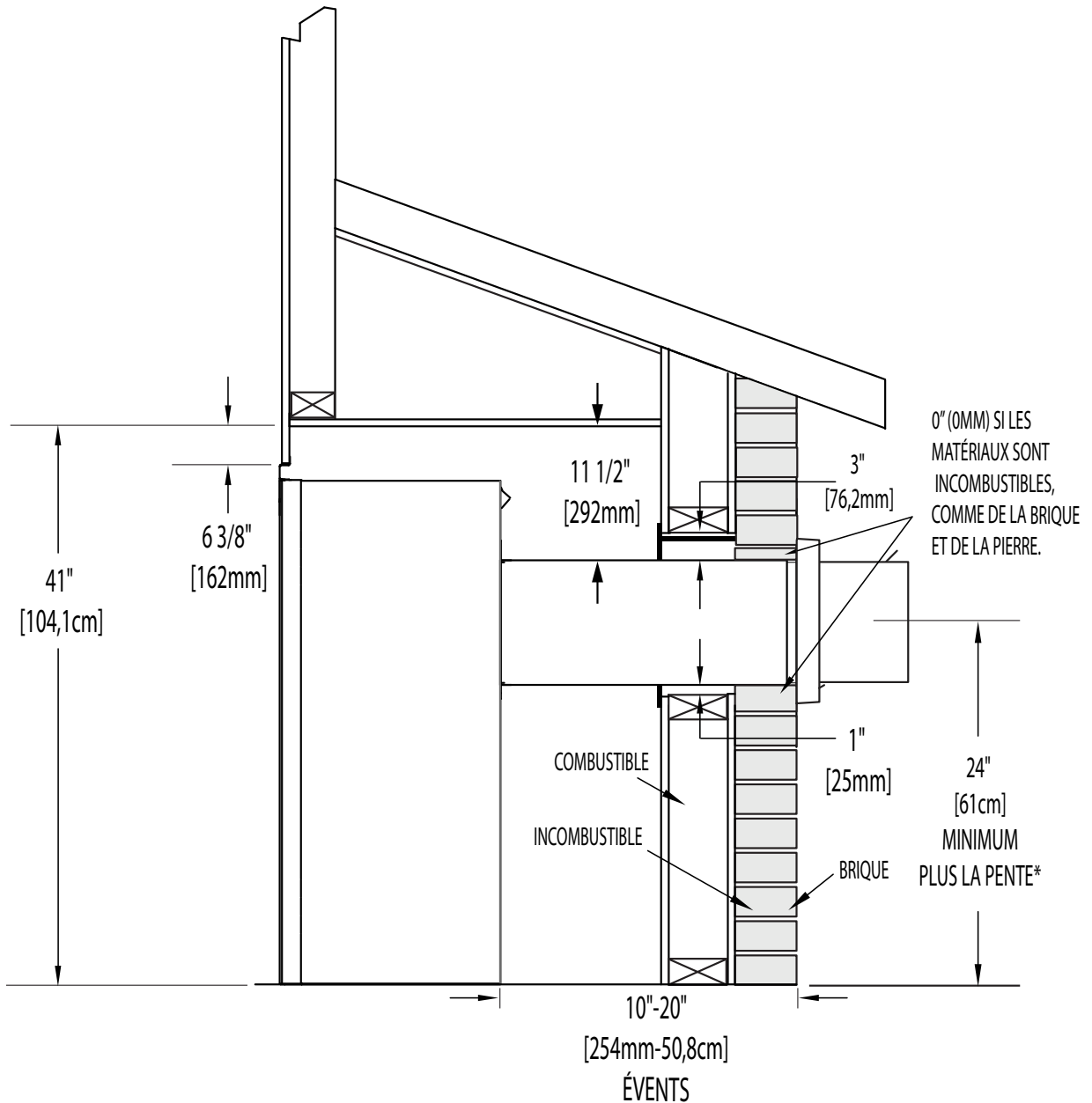
L'enceinte de l'appareil doit avoir une hauteur minimale de 41" (104,1 cm). Afin de respecter les contraintes de température, l'espace à l'intérieur de l'enceinte, autour de l'appareil et au-dessus, doit demeurer sans obstruction.

**note:**

L'écran de protection est télescopique et doivent être ajusté à protection toute la profondeur de la pénétration de la paroi combustible.

\* Voir la section « évacuation ».

## DÉGAGEMENTS MAXIMAUX D'ÉVACUATION À L'ARRIÈRE (EXEMPLE 2: ALCÔVE / NICHE EXTÉRIEUR)



### ENCEINTE AVEC ÉVACUATION À L'ARRIÈRE

L'enceinte de l'appareil doit avoir une hauteur minimale de 41" (104,1cm). Afin de respecter les contraintes de température, l'espace à l'intérieur de l'enceinte, autour de l'appareil et au-dessus, doit demeurer sans obstruction.

#### note:

L'écran de protection est télescopique et doivent être ajusté à protection toute la profondeur de la pénétration de la paroi combustible.

\* Voir la section « évacuation ».

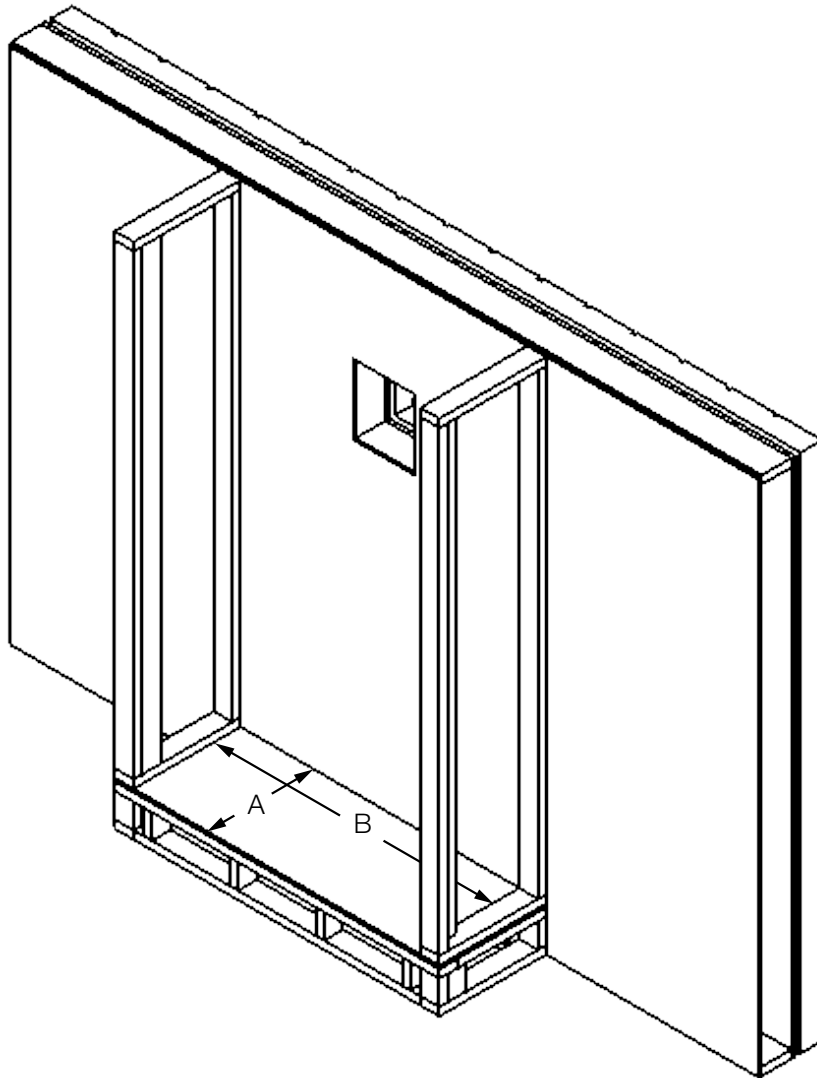
# encadrement approximatif

FR

## note:

Pour les matériaux de finition plus lourds comme du marbre, nous vous recommandons d'ajouter un support additionnel à l'ossature. Assurez-vous que le support de plancher est adéquat pour l'appareil et le matériau de finition.

Avant d'encadrer votre appareil, déterminez les exigences de ventilation avant de décider de l'emplacement finale de l'appareil. Après un encadrement brut, placez l'appareil dans sa position finale.



| Réf. | Dimensions minimales de l'encadrement approximatif |
|------|--|
| A    | 16"* (40,6cm)                                      |
| B    | 35 1/2" (90,2cm)                                   |

\* Basé sur la 1/2" (12,7mm) matériau de finition.

### AVERTISSEMENT

- Avant d'effectuer les branchements pour l'alimentation en gaz et électronique, assurez-vous de retirer toute composante non fixée à l'intérieur de la chambre de combustion.
- **Si votre appareil comprend un système de télécommande, assurez-vous que le récepteur est à la position « OFF » avant d'effectuer les branchements pour l'alimentation en gaz et électronique.**
- Afin d'assurer un fonctionnement sécuritaire et adéquat de l'appareil, vous devez observer les instructions d'évacuation à la lettre.
- Tous les joints des conduits doivent être scellés avec du scellant de silicone rouge à haute température RTV (W573-0002) (non fourni) ou du scellant noir à haute température Mill Pac (W573-0007) (non fourni) à l'exception du raccordement du conduit d'évacuation à la buse de l'appareil qui doit être scellé avec le scellant Mill Pac.
- Si vous utilisez des colliers pour tuyau pour raccorder les composants d'évacuation, vous devez aussi installer trois vis pour vous assurer que le raccordement ne défasse pas.
- Ne serrez pas la gaine flexible.
- Risque d'incendie, d'explosion ou d'asphyxie. Si l'ensemble du système de conduit d'évent n'est pas adéquatement soutenu, il risque de fléchir ou de se séparer. Utilisez des supports de conduit et raccordez les sections de conduits selon les instructions d'installation.
- Risque d'incendie. Évitez que l'isolant touche au conduit d'évacuation. Retirez l'isolant pour permettre l'installation de l'écran protecteur du grenier et pour maintenir les dégagements aux matériaux combustibles.
- Ne remplissez pas l'espace entre le conduit d'évent et la charpente avec aucun type de matériau. Ne bourrez pas d'isolant ni de matériaux combustibles entre les espaceurs coupe-feu du plafond. Conservez toujours les dégagements requis autour des conduits d'évent et l'assemblage de l'espaceur coupe-feu. Installez les écrans muraux et les espaceurs coupe-feu tel que spécifié. Si vous ne gardez pas l'isolant ou tout autre matériau à l'écart du conduit d'évent, un risque d'incendie pourrait s'ensuivre.
- **Pour les poêles à gaz seulement:** Si l'appareil est installé directement sur un tapis, sur une surface de vinyle, ou tout autre revêtement de plancher combustible autre que le bois, l'appareil devra être monté sur un panneau continu de métal ou de bois se prolongeant sur toute la largeur et la profondeur, sauf indication contraire à l'essai.

Pour une performance optimale, nous recommandons que toutes les course horizontales devraient avoir un élévation minimum de 1/4" par pied ou 21mm par mètre lors d'utilisation d'évacuation flexible.

# installation d'évacuation

## FR 4.1 installation horizontale

### ! AVERTISSEMENT

- L'espaceur coupe-feu doit être installé avec l'écran protecteur orienté vers le haut.
- La terminaison ne doit pas être enchâssée dans le mur ou le revêtement extérieur plus que l'épaisseur de la bride de la plaque de montage.
- L'écran protecteur doit être fixé en place en fixant l'écran protecteur prolongé aux languettes de courbure à l'aide des attaches fournies.

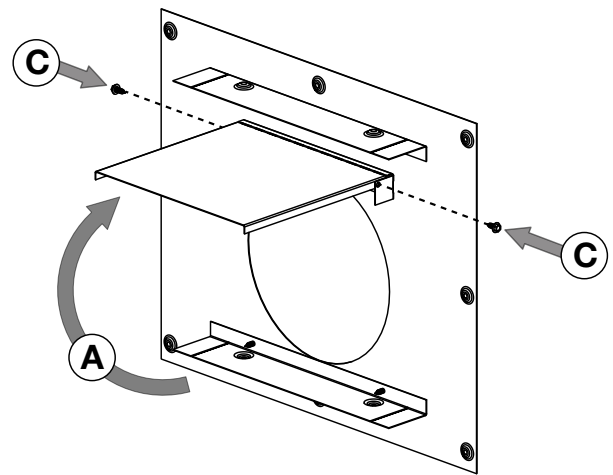
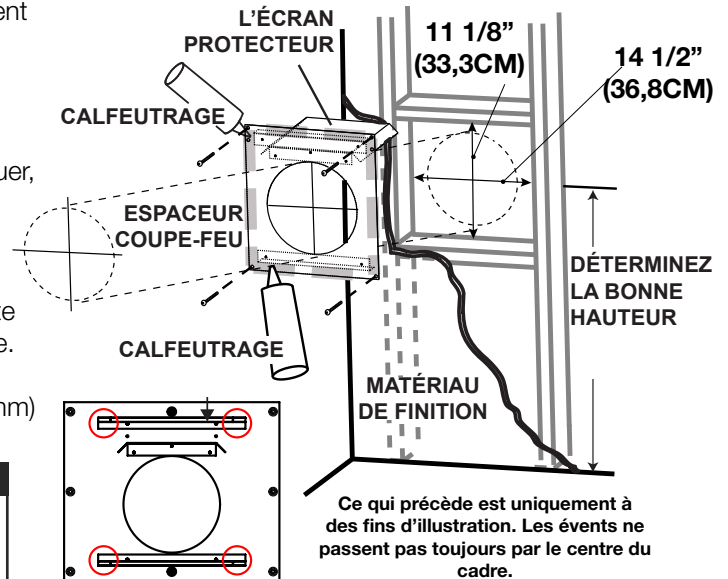
Cette configuration s'applique lorsque le conduit d'évent traverse un mur extérieur. Une fois que vous aurez déterminé la hauteur exacte pour l'emplacement de la terminaison, découpez et charpentez une ouverture dans le mur extérieur, comme illustré, pour permettre l'installation de l'espaceur coupe-feu. Avant de continuer, placez les supports sur la surface arrière soient placés contre la face intérieure de la pièce de charpente horizontale.

L'écran protecteur doit être installer pour protéger toute la profondeur de la pénétration de la paroi combustible. La longueur de l'écran protecteur peut être taillé pour des murs combustibles qui ont moins de 8 1/2" (216mm) d'épaisseur.

#### note:

Pliez les onglets pour les dégagements latéraux réduits ou déplacer le bouclier meilleurs jeux réduits (dépendant de les dégagements unique à l'appareil). Ne remplir pas l'espace d'air entre l'espaceur coupe-feu et le mur extérieur avec n'importe quel type de matériaux isolant (e.x., mousse de pulvérisation).

- Pliez l'écran protecteur de sorte qu'il soit perpendiculaire à la plaque d'espacement.
- Pliez les languettes situées de chaque côté de l'écran protecteur de sorte qu'elles soient juste à moins de 90° par rapport à la plaque d'espacement.
- Des deux côtés du coupe-feu, fixez les vis (W570-0018) à travers les trous de dégagement des languettes de courbure et vissez-les dans les trous de l'écran protecteur.
- Appliquez un cordon de calfeutrage autour du bord extérieur de l'ensemble coupe-feu.
- Vissez le coupe-feu sur le mur / la charpente à l'aide de 4 vis.
- Une fois le tuyau d'évent est installé dans sa position finale, appliquez du silicone RTV (W573-0002) (non fourni) entre le tuyau et le coupe-feu.



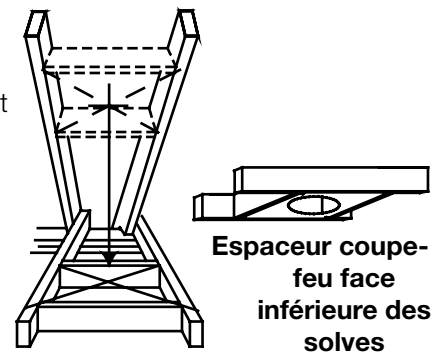
#### note:

Où l'évacuation passe horizontalement à travers un mur, vous **DOIT** utiliser un espaceur coupe-feu Wolf Steel pour tous les systèmes d'évacuation rigides et flexibles. L'espace entre le diamètre extérieur de l'évent et l'espaceur coupe-feu **DOIT** être complètement scellé avec du RTV haute température. Lors d'utiliser l'évacuation flexible, utiliser l'ensemble de l'espaceur coupe-feu W010-3440 (non fourni). Lors d'utiliser l'évacuation rigide, utiliser l'ensemble de l'espaceur coupe-feu 4DHFSN (non fourni).

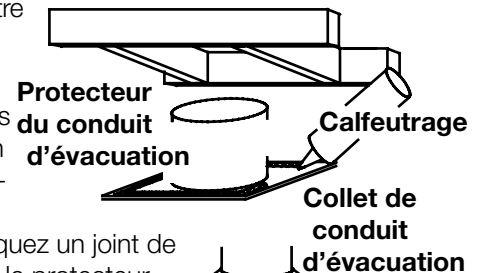
## 4.2 installation verticale

Cette configuration s'applique lorsque l'évacuation se fait à travers un toit. Des ensembles d'installation pour les différentes pentes de toit sont disponibles chez votre détaillant autorisé. Voir la section « accessoires » dans le manuel du propriétaire pour commander l'ensemble spécifique dont vous avez besoin.

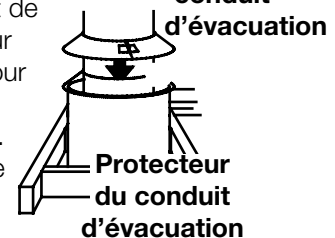
- A. Une fois que vous aurez déterminé l'emplacement de la terminaison, découpez et charpentez une ouverture dans le plafond et le toit pour laisser le dégagement minimal de 1" (25,4mm) entre le conduit d'évent et tout matériau combustible. Essayez de positionner le conduit d'évent à mi-chemin entre deux solives pour ne pas être obligé de les couper. Utilisez du fil à plomb pour aligner le centre des ouvertures. Un protecteur de conduit d'évacuation empêchera tout matériau, tel que l'isolant, de remplir l'espace vide de 1" (25,4mm) autour de l'évent. Fixez des entretoises entre les solives pour assurer un support additionnel.



- B. Appliquez un joint de calfeutrage (non fourni) sur la charpente ou sur le protecteur de conduit d'évacuation Wolf Steel ou l'équivalent (dans le cas d'un plafond fini) et fixez le protecteur de conduit d'évacuation de façon à recouvrir l'ouverture dans le plafond. Un espaceur coupe-feu doit être fixé à la base de chaque ouverture charpentée dans un toit ou un plafond par lequel traverse le système d'évacuation. Appliquez un joint de calfeutrage tout autour et placez un espaceur coupe-feu par-dessus le protecteur de conduit d'évacuation pour empêcher l'arrivée d'air froid dans la pièce ou autour de l'appareil. Assurez-vous que l'espaceur coupe-feu et le protecteur de conduit d'évacuation conservent le dégagement nécessaire aux matériaux combustibles. Une fois que le conduit d'évacuation est en place, appliquez un scellant silicone rouge (W573-0002) (non fourni) entre le conduit d'évacuation et l'espaceur coupe-feu.



- C. Dans le grenier, faites glisser le collet de conduit d'évacuation vers le bas afin de recouvrir l'extrémité ouverte du protecteur de conduit d'évacuation et serrez. Ceci empêchera tout matériau, tel que l'isolant, de remplir l'espace vide de 1 po (25,4mm) autour de l'évent



### note:

Où l'évacuation passe verticalement à travers un plafond, vous **DOIT** utiliser un espaceur coupe-feu Wolf Steel pour tous les systèmes d'évacuation rigides et flexibles. L'espace entre le diamètre extérieur de l'évent et l'espaceur coupe-feu **DOIT** être complètement scellé avec du RTV haute température.

#### Pour les appareils 4"/7":

Lors d'utiliser l'évacuation flexible, utiliser l'ensemble de l'espaceur coupe-feu W500-0292 (non fourni).

Lors d'utiliser l'évacuation rigide, utiliser l'ensemble de l'espaceur coupe-feu 4DFS (non fourni).

#### Pour les appareils 5"/8":

Lors d'utiliser l'évacuation flexible, utiliser l'ensemble de l'espaceur coupe-feu W500-0028 (non fourni).

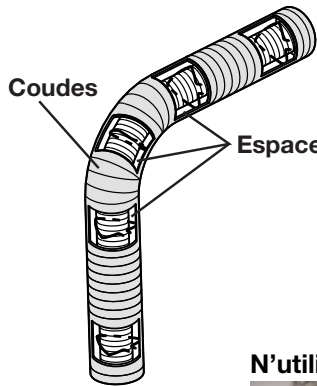
Lors d'utiliser l'évacuation rigide, utiliser l'ensemble de l'espaceur coupe-feu 5DFS (non fourni).

# installation d'évacuation

## FR 4.3 utilisation de composants d'évacuation flexibles ou rigides

### ! AVERTISSEMENT

- Ne laissez pas la gaine flexible se tasser contre les courses horizontales ou verticales et les coudes. Gardez-la tendue.
- Des espaceurs sont fixés à la gaine flexible à intervalles prédéterminés afin de garder un espace vide avec le conduit extérieur. Pour que le fonctionnement soit sécuritaire, un espace vide est requis. Un espaceur est requis au début, au milieu et à la fin de chaque coude afin de maintenir cet espace vide. N'enlevez pas ces espaceurs.



Afin d'assurer une opération sécuritaire et adéquate de l'appareil, vous devez observer les instructions d'évacuation à la lettre.

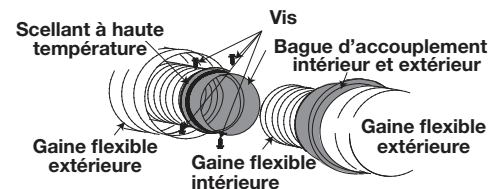
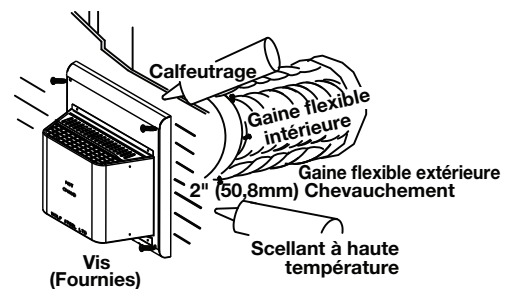
Le système d'évacuation doit être soutenu à peu près tous les 3 pieds (0,9m) de courses verticales et horizontales. Utilisez l'ensemble de support mural Wolf Steel ou des supports incombustibles équivalents afin de conserver le dégagement minimal aux matériaux combustibles pour les courses verticales et horizontales. Tous les joints des conduits intérieurs et extérieurs peuvent être scellés avec du scellant de silicone rouge à haute température W573-0002 (non fourni) ou du scellant noir à haute température Mill Pac W573-0007 (non fourni) à l'exception du raccordement du conduit d'évacuation à la buse de l'appareil qui doit être scellé avec le scellant Mill Pac.

**N'utilisez que les ensembles certifiés de gaines flexibles portant l'inscription:**



### 4.3.1 installation de la terminaison horizontale

- Étirez la gaine flexible intérieure à la longueur requise en tenant compte de la longueur additionnelle nécessaire pour la surface du mur fini. Appliquez un généreux joint de scellant à haute température Mill Pac (W573-0007) (non fourni). Glissez la gaine flexible sur le manchon intérieur de la terminaison en assurant un chevauchement minimal de 2" (50,8mm) et fixez à l'aide d'une minimum de trois vis.
- Installez la gaine flexible extérieure en la glissant sur le manchon extérieur de la terminaison et fixez à l'aide d'une minimum de trois vis. Scellez avec du scellant à haute température RTV rouge (W573-0002) (non fourni).
- Insérez les gaines dans le coupe-feu tout en conservant le dégagement nécessaire aux matériaux combustibles. En soutenant la terminaison (les inscriptions étant à l'endroit et lisibles), fixez-la au mur extérieur et rendez-la étanche en la scellant avec du calfeutrage (non fourni).
- Si plus de sections de gaine doivent être utilisées pour atteindre l'appareil, raccordez-les ensemble tel qu'illustré. Le système d'évacuation doit être soutenu à environ tous les 3 pieds (0,9m) pour les courses verticales et horizontales. Utilisez des supports incombustibles afin de maintenir le dégagement minimal aux matériaux combustibles.
- Pour les Poêles seulement:** De l'intérieur de la maison, scellez avec du scellant à haute température RTV rouge (W573-0002) (non fourni), entre le conduit d'évent et le coupe-feu. Glissez ensuite le collet de finition noir sur le conduit d'évent jusqu'au coupe-feu.



**Les terminaisons ne doivent pas être enchâssées dans un mur ou un revêtement extérieur plus que l'épaisseur de la bride de la plaque de montage.**



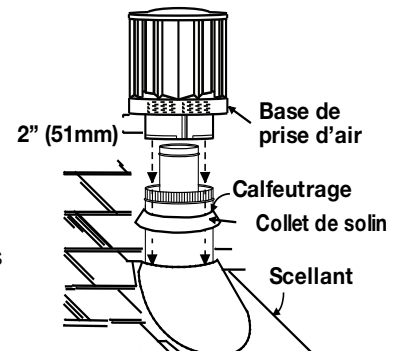
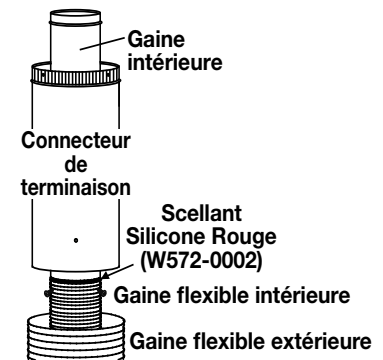
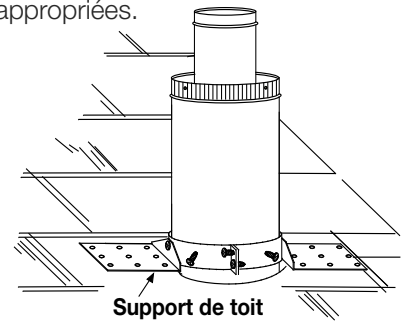
## 4.3.2 installation de la terminaison verticale

### ! AVERTISSEMENT

- Conservez un espace minimale de 2 po (51mm) entre la base de la prise d'air et le collet de solin.

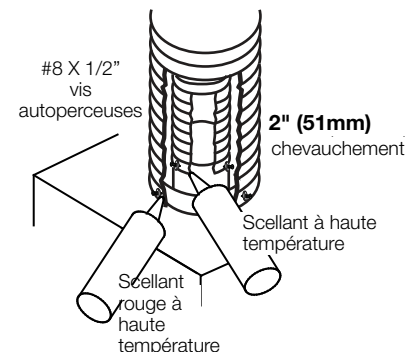
Matériel de fixation fourni avec les ensembles de terminal pour toit et raccord appropriées.

- Fixez le support de toit au toit à l'aide de 6 vis. Le support de toit est optionnel. Dans ce cas, l'évent doit être supporté adéquatement soit en utilisant une méthode alternative se conformant aux normes des autorités compétentes, soit en utilisant le support de toit optionnel.
- Étirez la gaine flexible intérieure à la longueur requise. Glissez la gaine flexible intérieure sur le conduit intérieur du connecteur de terminaison en assurant un chevauchement minimal de 2 po (51mm). Fixez à l'aide d'au moins trois vis, lorsque vous utilisant une évent de 4/7, 5/8 et 3/5 ou une minimum de six vis lorsque vous utilisant une évent de 8/10 ou 8/11. Scellez en appliquant un généreux joint de scellant silicone rouge (W573-0002) (non fourni).
- Répétez avec la gaine flexible extérieure, en appliquant la silicone à haute température rouge (W573-0002) (non fourni) et en utilisant au moins trois vis, lorsque vous utilisant une évent de 4/7, 5/8 et 3/5 ou une minimum de six vis lorsque vous utilisant une évent de 8/10 ou 8/11.
- Faites passer le montage du connecteur de terminaison/gaines flexibles à travers le toit. La terminaison doit être verticale et d'aplomb. Fixez le connecteur de terminaison au support de toit en vous assurant que le dessus de la terminaison excède le côté le plus élevé du toit d'au moins 16" (40,6cm) une fois fixée.
- Enlevez les clous des bardeaux sur le dessus et les côtés du connecteur de terminaison. Placez le solin par-dessus le connecteur de terminaison en laissant un minimum de 3/4" (19,1mm) de connecteur de terminaison visible au-dessus du haut du solin. Glissez le solin sous les côtés et le bord supérieur des bardeaux. Assurez-vous que le connecteur de terminaison est bien centré dans le solin, en laissant une marge de 3/4" (19,1mm) tout autour. Fixez-le au toit. Ne clouez pas à travers la partie inférieure du solin. Imperméabilisez-le en le scellant avec du calfeutrage. Si possible, recouvrez les côtés et le bord supérieur du solin avec des matériaux de couverture.
- Alignez les joints de la terminaison et du connecteur de terminaison et placez la terminaison par-dessus le connecteur de terminaison en vous assurant que le manchon pénètre dans le trou de la terminaison. Fixer avec au moins de trois vis, lorsque vous utilisant une évent de 4/7, 5/8 et 3/5 ou une minimum de six vis lorsque vous utilisant une évent de 8/10 ou 8/11.
- Appliquez un généreux joint de calfeutrage à l'épreuve de l'eau à 2" (51mm) au-dessus du solin. Installez le collet de solin autour de la terminaison et glissez-le jusqu'à la ligne de calfeutrage. Serrez afin d'assurer l'étanchéité entre la terminaison et le collet.
- Si plus de sections de gaine doivent être utilisées pour atteindre l'appareil, voir la section « **installation de la terminaison horizontale** ».



## 4.3.3 raccordement des événements à l'appareil

- Raccordez la gaine flexible intérieure à l'appareil. Fixez-la à l'aide d'au moins trois vis et rondelles lorsque vous utilisant une évent de 3"/5", 4"/7" ou 5"/8" ou une minimum de six vis et rondelles lorsque vous utilisant une évent de 8"/10" ou 8"/11". Scellez le joint et les têtes de vis avec du scellant à haute température W573-0007 (non fourni).
- Fixez-la à l'aide d'au moins trois vis et rondelles lorsque vous utilisant une évent de 3"/5", 4"/7" ou 5"/8" ou une minimum de six vis et rondelles lorsque vous utilisant une évent de 8"/10" ou 8"/11". Fixez et scellez les joints avec du scellant à haute température W573-0002 (non fourni).

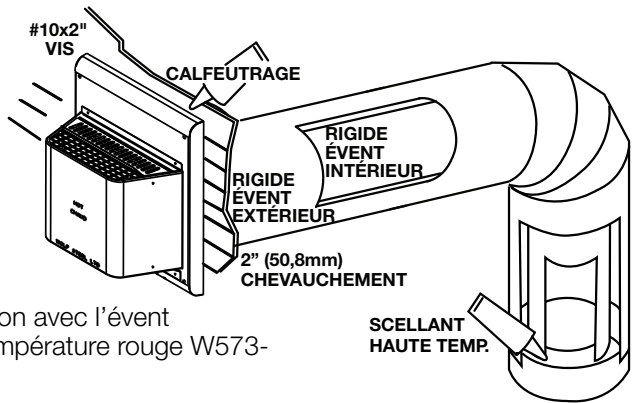


# installation d'évacuation

FR

## 4.3.4 installation de la terminaison horizontale

- A. Mettez l'appareil en place. Mesurez la longueur d'évent requise entre la terminaison et l'appareil en tenant compte de la longueur additionnelle nécessaire pour la surface du mur fini et tout chevauchement de 2" (50.8mm) entre les composants d'évacuation.
- B. Appliquez un généreux joint de scellant à haute température Mill Pac W573-0007 (non fourni) sur le rebord extérieur du collet intérieur de l'appareil. Installez le premier évent et fixez-le en utilisant un minimum de trois #8 vis. Procédez de la même façon avec l'évent rigide extérieur. Scellez avec du scellant à haute température rouge W573-0002 (non fourni).
- C. Insérez les deux évents dans l'espaceur coupe-feu, en respectant les dégagements aux combustibles requis. Appliquez un généreux joint de scellant à haute température rouge W573-0002 (non fourni) à la fois le manchon intérieur et le manchon extérieur du terminaux d'air. Faites glisser le manchon du terminaux dans les évents rigides d'un minimum de 1 1/4". En soutenant la terminaison (les inscriptions étant à l'endroit et lisibles), fixez-la au mur extérieur et rendez-la étanche en la scellant avec du calfeutrage (non fourni).



**La plaque de montage de la terminaison peut être enchâssée dans le mur ou le revêtement extérieur, sans excéder l'épaisseur de la bride.**

## 4.3.5 installation de la terminaison verticale

### ! AVERTISSEMENT

- Conservez un espace minimal de 2" (51mm) entre la base de la prise d'air et le collet de solin.

#### note:

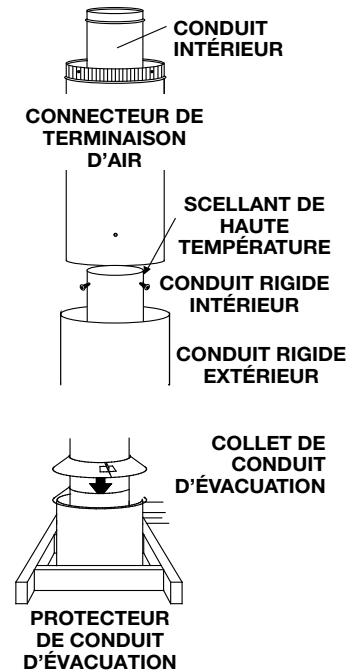
Avant de fixer les coudes aux collets à l'arrière de l'appareil, enlevez 1 1/2" (38.1mm) au collet de 4" (101.6mm)

Matériel de fixation fourni avec les ensembles de terminaison pour toit et raccord appropriée.

**ÉVACUATION À L'ARRIÈRE :** Raccordez les coudes de 4" (101.6mm) et 7" (177.8mm) à l'appareil et fixez-les à l'aide de trois vis. Scellez les joints et les têtes de vis avec du scellant à haute température. Passez ensuite à l'étape A ci-dessous.

#### ÉVACUATION SUR LE DESSUS ET À L'ARRIÈRE:

- Mettez l'appareil en place.
- Fixez le support de toit au toit à l'aide des vis fournies. Le support de toit est optionnel. Dans ce cas, les événements doivent être supportés adéquatement soit en utilisant une méthode alternative se conformant aux normes des autorités compétentes, soit en utilisant le support de toit optionnel.
- Appliquez du scellant à haute température W573-0007 (non fourni) sur le rebord extérieur du manchon intérieur de la terminaison. Glissez la bague d'accouplement sur au moins 2" (51mm) du manchon et fixez-la à l'aide de trois vis.
- Appliquez du scellant à haute température W573-0002 (non fourni) sur le rebord extérieur du manchon extérieur du connecteur de terminaison. Glissez la bague d'accouplement extérieure sur le manchon et fixez comme auparavant. Taillez la bague d'accouplement extérieure à égalité avec l'extrémité de la bague d'accouplement intérieure.
- Faites passer le montage du connecteur de terminaison/conduits d'événement à travers le support de toit. Fixez le montage de terminaison au support de toit en vous assurant que la section de terminaison excède le toit d'au moins 16" (406.4mm) une fois fixée. Si l'espace du grenier est restreint, nous recommandons de visser le collet de conduit d'évacuation Wolf Steel ou l'équivalent sans serrer sur le montage du connecteur de terminaison/conduits d'événement lorsqu'il est passé à travers le grenier. Le connecteur de terminaison doit être vertical et d'aplomb.
- Enlevez les clous des bardeaux sur le dessus et les côtés du connecteur de terminaison. Placez le solin par-dessus le connecteur de terminaison et glissez-le sous les côtés et le bord supérieur des bardeaux. Assurez-vous que le connecteur de terminaison est bien centré dans le solin, en laissant une marge de 3/4" (19.1mm) tout autour. Fixez-le au toit. **NE clouez PAS à travers la partie inférieure du solin.** Imperméabilisez-le en le scellant avec du calfeutrage. Si possible, recouvrez les côtés et le bord supérieur du solin avec des matériaux de couverture.
- Appliquez un généreux joint de calfeutrage à l'épreuve de l'eau à 2" (51mm) au-dessus du solin. Installez le collet de solin autour du connecteur de terminaison et glissez-le jusqu'à la ligne de calfeutrage. Serrez afin d'assurer l'étanchéité entre le connecteur de terminaison et le collet.
- Continuez d'ajouter des sections rigides d'évacuation, fixez et scellez comme ci-dessus. Installez le manchon télescopique intérieur à la dernière section du conduit rigide. Fixez-le avec des vis et scellez. Procédez de la même façon en utilisant le manchon télescopique extérieur.
- Appliquez un joint de scellant à haute température W573-0007 (non fourni) sur le côté extérieur du **coude intérieur pour l'évacuation à l'arrière** ou du **collet intérieur pour l'évacuation sur le dessus**. Glissez le manchon télescopique sur une longueur d'au moins 2" (51mm) par-dessus le coude. Fixez avec trois vis. Procédez de la même façon avec le manchon télescopique extérieur.



#### ÉVACUATION SUR LE DESSUS SEULEMENT:

- Dans le grenier, faites glisser le collet de conduit d'évacuation vers le bas afin de recouvrir l'extrémité ouverte du protecteur de conduit d'évacuation et serrez. Ceci empêchera tout matériau, tel que l'isolant, de remplir l'espace vide de 1" (25mm) autour de l'événement.

# installation d'évacuation

## FR 4.4 terminaison verticale à travers une cheminée existante

### **! AVERTISSEMENT**

- Risque d'incendie
- Les configurations d'évacuation coaxiales à colinéaires ne doivent être utilisées que dans une cheminée ou une enceinte de nature incombustible. Une installation dans une enceinte combustible peut causer un incendie.

Cet appareil est conçu pour être raccordé à un système d'évent flexible colinéaire de 3" (7,6cm) en aluminium se prolongeant sur toute la longueur de la cheminée de maçonnerie.

Les conduits flexibles s'adaptent à tous les contours d'une cheminée de maçonnerie. Néanmoins, vous devez garder les conduits flexibles aussi droit que possible. Le collet de prise d'air de la terminaison doit être raccordé au conduit flexible de prise d'air et le collet d'évacuation de la terminaison au conduit flexible d'évacuation.

Les adaptateurs colinéaire à coaxial Simpson Duravent et Selkirk sont approuvés pour cet appareil.

#### **note:**

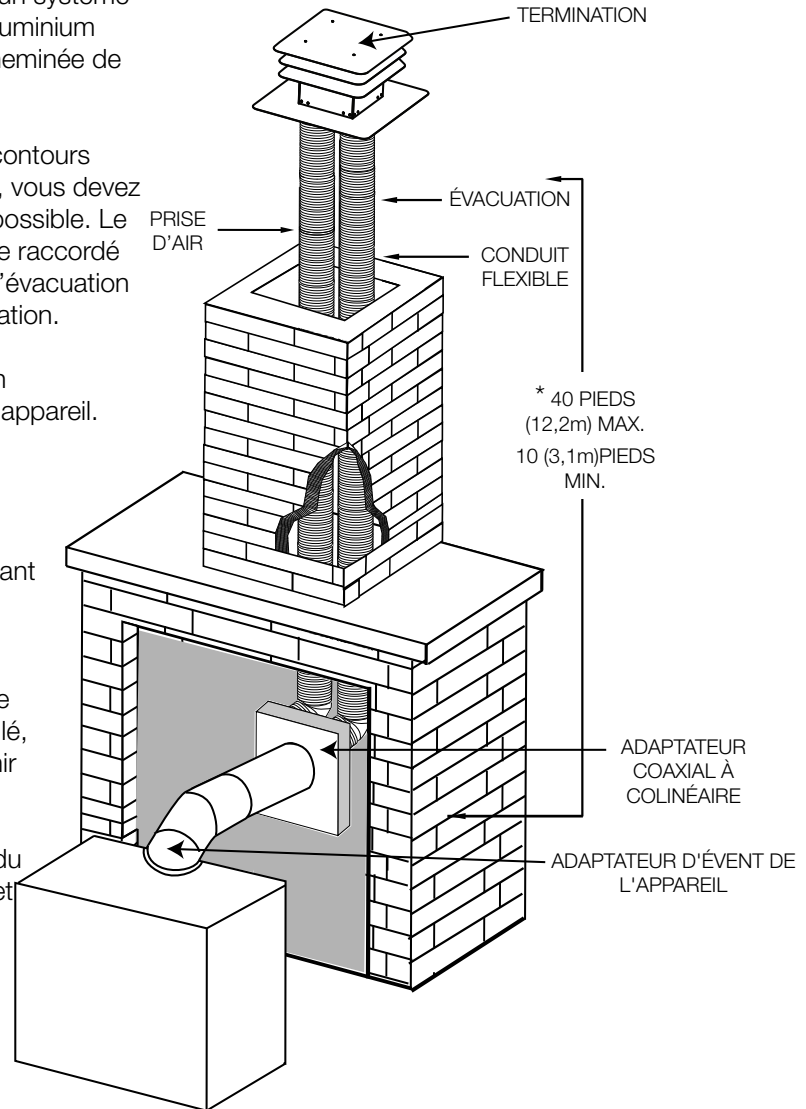
Un adaptateur d'évent sera nécessaire directement à partir de l'appareil.

Suivez les instructions d'installation du fabricant du système d'évacuation.

Des composants d'évacuation de différents fabricants ne doivent pas être combinés. Une fois que l'adaptateur de votre choix est installé, le reste du système d'évacuation doit provenir du même fabricant.

La seule exception à cette règle est l'usage du système de conduit flexible de 3" (7,6cm) et de terminaison colinéaire Wolf Steel.

\* Mesurée à partir de la buse de l'appareil jusqu'au collet de la terminaison.



## 4.4.1 renstreignant des évents verticaux

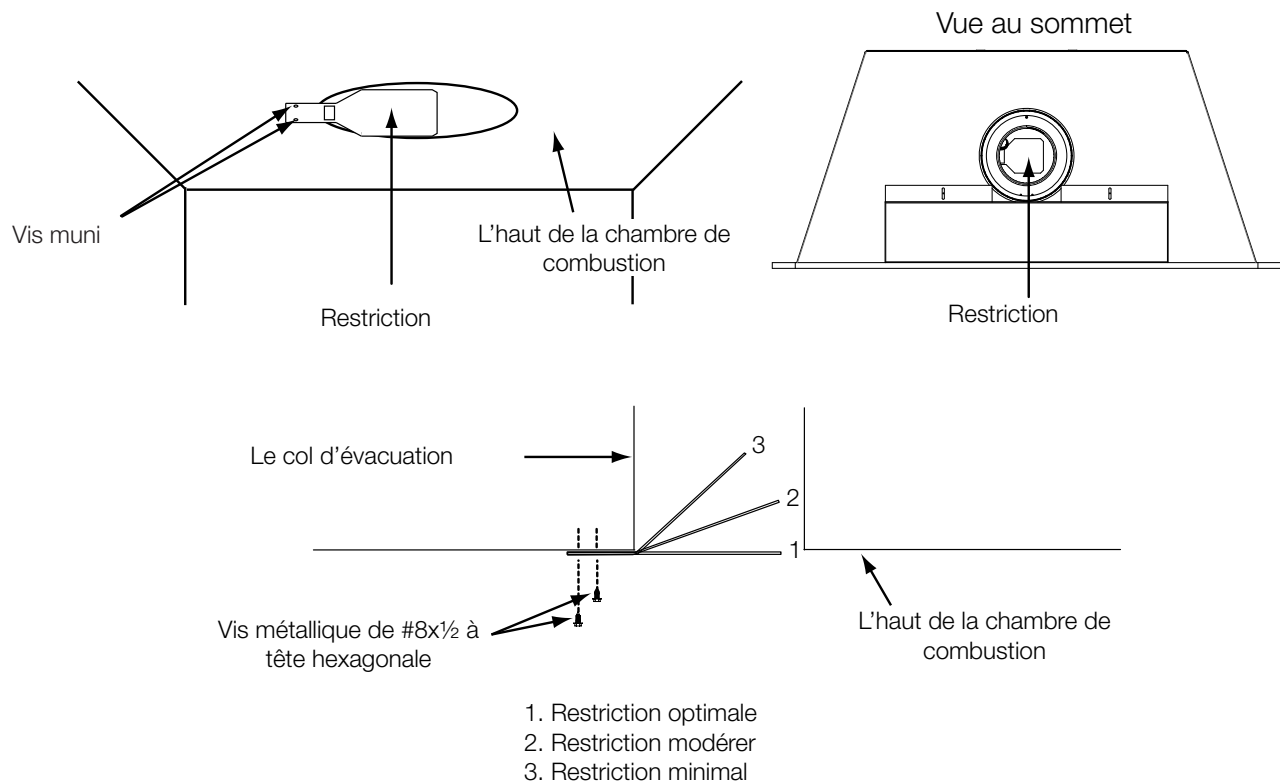
### **! AVERTISSEMENT**

- Mettez hors tension de gaz et de l'alimentation électrique avant d'intervenir sur l'appareil.
- L'appareil peut être chaud, pas de service jusqu'à ce que l'appareil est refroidi.
- Pour l'utilisation sûre et correcte de l'appareil, suivez les instructions d'évacuation exactement.
- Pour éviter le risque d'asphyxie, garder le sac d'emballage loin des bébés et les enfants. N'utiliser pas dans les berceaux, lit, chariots ou play pens. Ce sac n'est pas un jouet. Nouez-le avant de jeter.

Installations verticales peuvent afficher une flamme très active. Si cet aspect n'est pas souhaitable, la sortie d'échappement peut être restreinte avec un kit de bride de Wolf Steel approuvé. Ce kit n'est pas recommandé pour les longueurs de conduit d'évacuation vertical court.

Selon le modèle et année de votre appareil, les trous de fixation peut ne pas exister.

- Si les trous de fixation existent, enlever les vis du haut de la chambre de combustion, aligner la plaque de bride comme illustré et fixer.
- Si les trous de fixation n'existent pas, aligner la plaque de bride comme illustré et fixer avec deux vis tête hexagonale #8 x 1/2 fournis.
- S'assurer que la plaque pivote à la fente vers le haut dans l'orifice d'échappement.
- Selon la quantité de restriction souhaitée, la plaque de bride peut être laissée à plat pour la plupart restriction ou tordues à différents degrés de restriction.

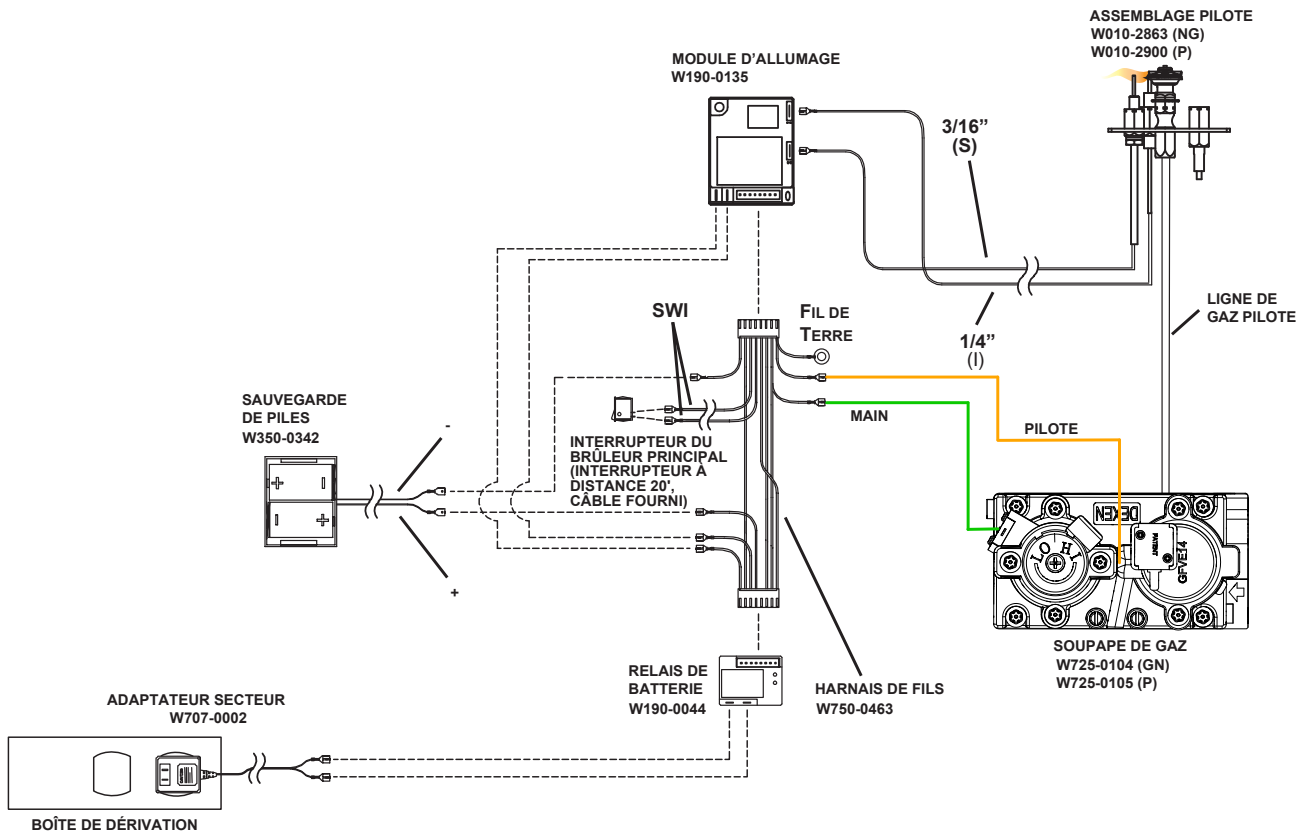


## 5.0 information électrique

### FR 5.1 schéma de câblage électronique

#### ! AVERTISSEMENT

- Ne raccordez pas l'interrupteur mural ou la soupape de gaz à l'alimentation électrique (110 V).



NOTE: BRANCHEZ L'ADAPTATEUR CA 3 VOLTS DANS LA BOÎTE DE JONCTION DE L'APPAREIL POUR ALIMENTER L'APPAREIL

#### note:

Cet appareil est équipé d'une batterie de secours. Si cette sauvegarde est utilisée, installez 2 piles « D » (non fournies) dans le support. La sauvegarde est commandée par un relais qui basculera automatiquement sur la sauvegarde en cas de coupure de courant. Si le back-up est utilisé, il doit être connecté à ce pack batterie 3 volts (fourni). N'utilisez aucun autre type de batterie.

## 5.2 installation du sauvegarde de pile

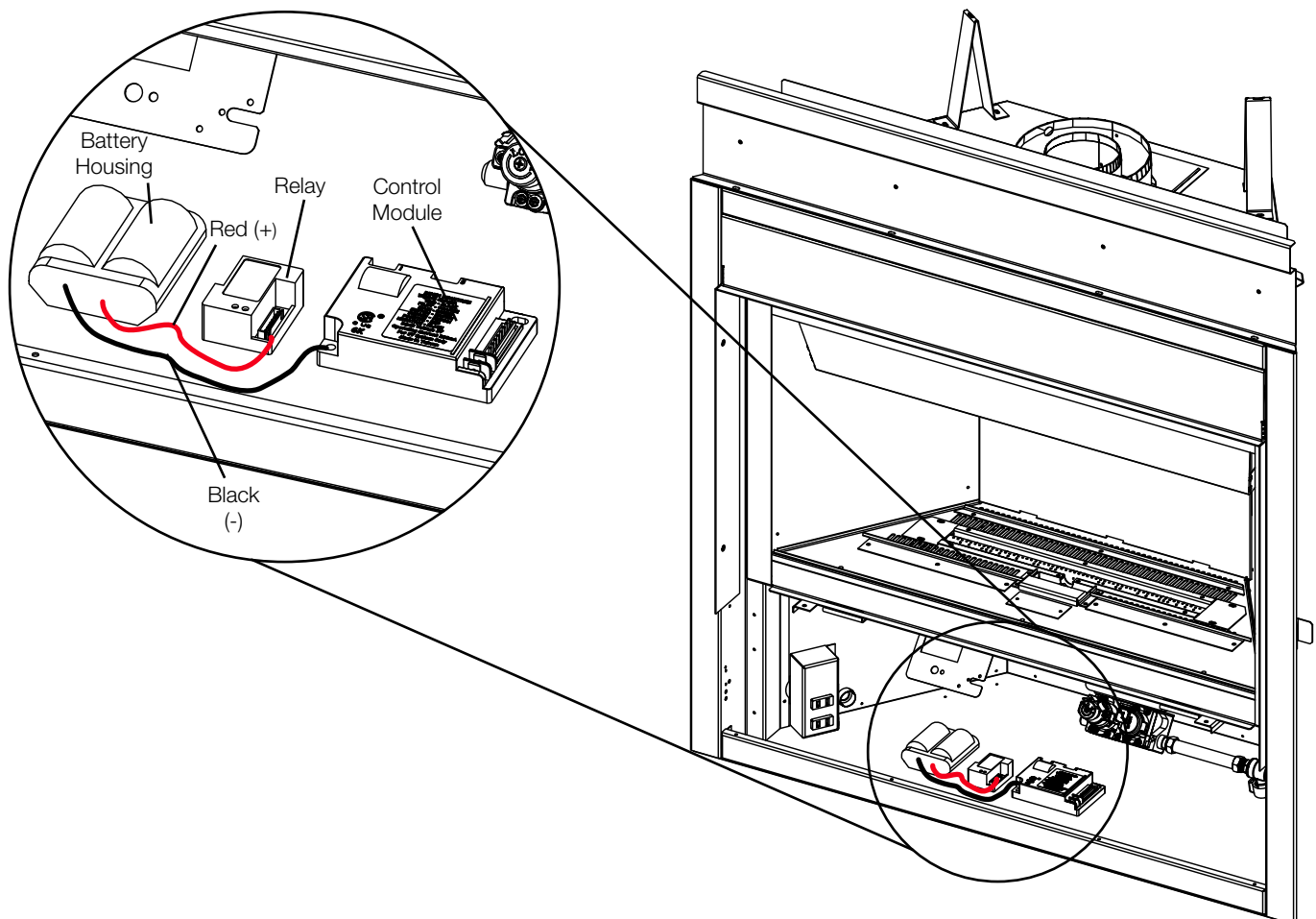
### ! AVERTISSEMENT

- Assurez-vous que le gaz et l'alimentation électrique de l'appareil sont éteints.
- L'appareil peut être chaud. Ne pas entretenir avant que l'appareil ne soit refroidi.

**note:**

En cas d'une panne de courant, votre appareil peut fonctionner utilisant le sauvegarde de pile fourni.

- Retirez l'écran de protection pour accéder facilement au compartiment de contrôle.
- Coupez l'approvisionnement en gaz et l'alimentation électrique de l'appareil.
- Trouvez la sauvegarde de piles dedans le compartiment de soupape.
- Installez 2 piles alcalines « D » (non fournies) dans la sauvegarde de piles. Assurez-vous que les fins positives et les fins négatives correspondent à celles identifiées sur la sauvegarde de piles.
- Branchez l'approvisionnement en gaz et l'alimentation électrique à l'appareil pour faire fonctionner l'appareil.
- Réinstallez l'écran de protection. L'écran de protection doit être installé tous le temps pendant l'opération de l'appareil.



## 6.0 branchement du gaz

FR

### AVERTISSEMENT

- Risque d'incendie, d'explosion, ou d'asphyxie. Assurez-vous qu'il n'y ait aucune source d'allumage comme des étincelles ou une flamme nue.
- Soutenez le contrôle du gaz lorsque vous attachez le tuyau pour éviter de plier la conduite de gaz.
- Allumez toujours la veilleuse, que ce soit pour la première fois ou lorsque l'approvisionnement en gaz est épuisé, avec la porte vitrée ouverte ou retirée. La purge doit être effectuée par un technicien qualifié. Assurez-vous que l'arrivée de gaz au brûleur est continue avant de fermer la porte. Assurez-vous d'une ventilation adéquate pour les emplacements de l'entrée du gaz et de l'entrée électrique, voir la section « dimensions ».
- Lorsque le branchement est terminé, tous les raccords de gaz doivent se trouver à l'intérieur de l'appareil (**foyer de gaz seulement**).
- Les pressions élevées endommageront la soupape. L'alimentation en gaz doit être débranchée pendant les essais de pression de ce système lorsque les pressions d'essai excèdent 1/2 LB/PO<sup>2</sup> (3,5 KPA).
- Les réglages de la soupape ont été faits en usine; ne les modifiez pas.

#### **L'installation et l'entretien doivent être effectués par un installateur qualifié.**

- Mettez l'appareil en place et fixez-le.
- Si l'appareil est muni d'un raccord flexible, celui-ci est conçu pour recevoir une conduite de gaz de 1/2" (13mm). Sans raccord flexible, l'appareil est conçu pour recevoir une conduite de gaz de 3/8" (9,5mm). L'appareil est muni d'une soupape d'arrêt manuelle pour fermer l'alimentation en gaz.
- Branchez le gaz en conformité avec les codes locaux. En l'absence de codes locaux, l'installation doit être conforme au Code d'installation du gaz CAN/CSA-B149.1 dans sa version pour le Canada ou le National Fuel Gas Code, ANSI Z223.1 / NFPA 54 pour les États-Unis.
- Lorsque vous manipulez des conduites de gaz, soutenez la soupape de gaz pour éviter que les conduites ne se plient.
- Le raccord flexible de l'alimentation en gaz devrait être suffisamment mobile pour permettre de placer l'assemblage de brûleur sur le côté pour aider avec l'entretien des composants.
- Vérifiez pour des fuites de gaz en appliquant une solution d'eau savonneuse. **N'utilisez jamais une flamme nue.**

Après avoir installé le câblage électrique et les conduits de gaz, assurez-vous de tester l'appareil avant de finir l'encadrement et la finition de l'appareil.



## ! AVERTISSEMENT

- Si ces instructions ne sont pas suivies à la lettre, un incendie ou une explosion pourraient s'ensuivre, causant des dommages matériels, des blessures corporelles ou des pertes de vie.
- Si applicable, allumez toujours la veilleuse, que ce soit pour la première fois ou lorsque l'approvisionnement en gaz est épuisé, avec la porte vitrée ouverte ou retirée.

Lorsqu'il est allumé pour la première fois, l'appareil dégagera une légère odeur pendant quelques heures. Cela est une condition normale temporaire causée par le conditionnement des bûches et l'évaporation des peintures et lubrifiants internes utilisés dans le processus de fabrication; elle ne se reproduira plus. Après de longues périodes sans utiliser l'appareil, comme à la suite de vacances ou à la fin de l'été, il se peut qu'une légère odeur se dégage pendant quelques heures. Ceci est causé par des particules de poussière brûlant dans l'échangeur de chaleur. Dans les deux cas, ouvrez une fenêtre pour aérer la pièce.

### POUR VOTRE SÉCURITÉ, LISTEZ CE QUI SUIT AVANT D'ALLUMER L'APPAREIL:

- Ne pas allumer si des enfants ou d'autres individus à risque sont à proximité de la veilleuse.
- Cet appareil est équipé d'un dispositif d'allumage qui allume automatiquement la veilleuse. N'essayez pas de l'allumer manuellement.
- Avant d'allumer, sentez autour de l'appareil et près du plancher afin de vous assurer qu'il n'y a pas de fuite de gaz. Certains gaz sont plus lourds que l'air et se déposeront au niveau du plancher.
- N'utilisez pas cet appareil si une partie quelconque a été submergée. Contactez immédiatement un technicien qualifié pour l'inspecter et pour remplacer toute pièce du système de contrôle et du contrôle du gaz qui aurait été submergée.

### QUE FAIRE SI VOUS DÉTECTEZ UNE ODEUR DE GAZ

- Coupez l'alimentation en gaz à l'appareil.
- Ouvrez les fenêtres.
- N'allumez aucun appareil.
- Ne touchez à aucun interrupteur électrique; n'utilisez aucun téléphone dans votre immeuble.
- De la maison d'un voisin, appelez immédiatement votre fournisseur de gaz et suivez ses instructions.
- Si vous ne pouvez pas rejoindre votre fournisseur de gaz, appelez le service des incendies.

### INSTRUCTIONS D'ALLUMAGE

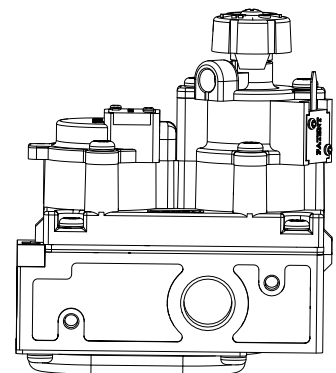
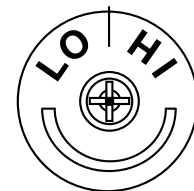
#### note:

Cet appareil est équipé d'un dispositif d'allumage qui s'allume automatiquement la veilleuse. N'essayez pas de l'allumer manuellement.

- Arrêtez! Lisez les consignes de sécurité ci-dessus.
- Enlevez tous les piles de la télécommande et régler le thermostat au réglage minimum, si équipé.
- Coupez l'alimentation électrique à l'appareil.
- Ouvrir la porte de l'appareil, si équipé.
- Tournez le bouton de contrôle du gaz vers la droite à « OFF ». (Elle est situé sur le connecteur flexible).
- Attendez cinq (5) minutes pour que le gaz puisse s'échapper. Si vous détectez une odeur de gaz, incluant au niveau du plancher, **ARRÊTEZ!** et suivez les instructions ci-dessus « QUE FAIRE SI VOUS DÉTECTEZ UNE ODEUR DE GAZ ». Continuez à l'étape suivante si vous ne sentez pas de gaz.
- Tournez le soupape fermeture manuelle vers la gauche à « ON ».
- Rétablissez l'alimentation électrique à l'appareil et installez les piles dans le télécommande, si équipé. Régler le thermostat à la position désirée, si équipé.
- Tournez l'interrupteur murale de l'appareil à la position « ON ».
- Si l'appareil ne fonctionne pas, suivre les instructions de « couper l'alimentation de gaz » et puis appelez votre technicien de service ou fournisseur de gaz.

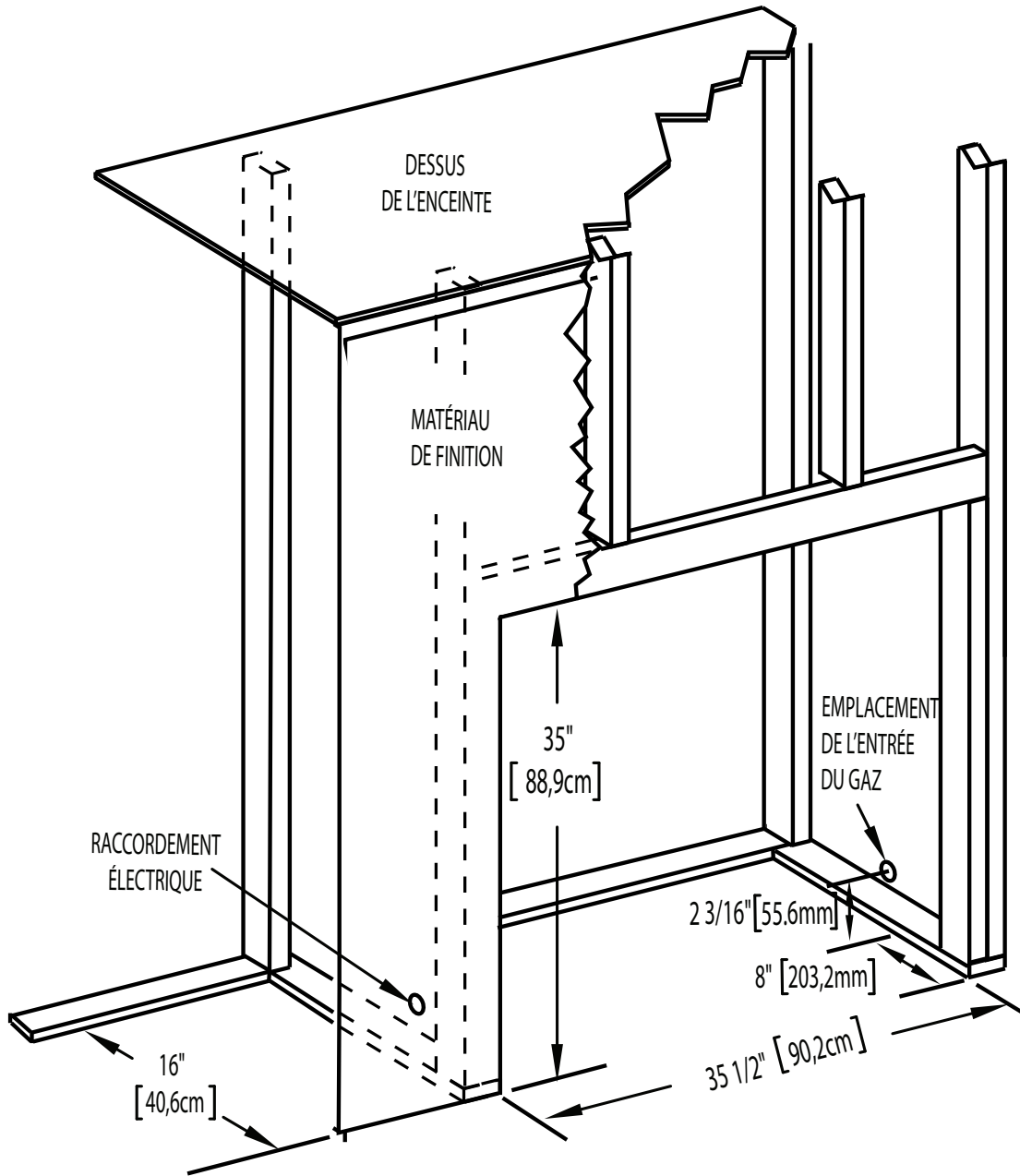
### COUPEZ L'ALIMENTATION DE GAZ

- Régler le thermostat à la réglage le plus bas, si équipé.
- Tournez l'interrupteur murale de l'appareil à la position « OFF ».
- Coupez l'alimentation électrique à l'appareil si un travail d'entretien doit être faites.
- Tournez le soupape fermeture manuelle vers la gauche « OFF ». Ne forcez pas.



# 8.0 encadrement fini

## FR 8.1 dimensions minimaux de l'ossature



## ! AVERTISSEMENT

- Risque d'incendie!
- N'obstruez jamais l'ouverture sur le devant de l'appareil.
- Ne frappez pas, ne claquez pas et n'égratignez pas la porte vitrée. Ne faites pas fonctionner l'appareil lorsque la porte vitrée est enlevée, fissurée, brisée ou égratignée.
- Les matériaux de façade ou de finition ne doivent jamais empiéter sur l'ouverture de l'appareil.
- L'assemblage de la porte en verre est conçu pour soulager la surpression qui pourrait se produire. Les matériaux de finition ou d'autres matériaux ne doivent pas être situés dans l'ouverture qui entoure la porte, car cela entraverait la capacité des portes à soulager la pression.

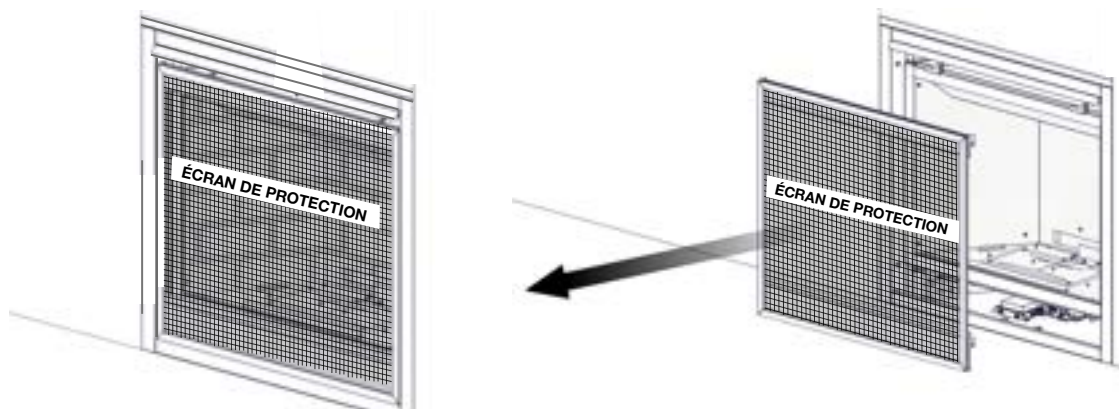
### 9.1 installation et enlèvement de l'écran de protection et la porte

## ! AVERTISSEMENT

- La vitre peut être chaude. Ne touchez pas la vitre jusqu'à ce qu'elle ait refroidi.
- Si équipé avec les loquets de porte qui font partie d'un dispositif de sécurité, ils doivent être adéquatement verrouillés. Ne faites pas fonctionner l'appareil lorsque les loquets sont déverrouillés.
- Les matériaux de façade et de finition ne doivent pas nuire à la circulation de l'air dans les ouvertures d'air et les persiennes, ni au fonctionnement des persiennes ou des portes ni l'accès pour l'entretien. Respectez tous les dégagements aux matériaux combustibles
- Avant d'enlever la porte, éteignez l'appareil et attendez que ce dernier soit froid au toucher. Les portes sont lourdes et fragiles; manipulez avec soin.

**Une barrière conçu à réduire le risque de brûlures à partir de la chaude la vitre est à condition que avec l'appareil et sera être installés.**

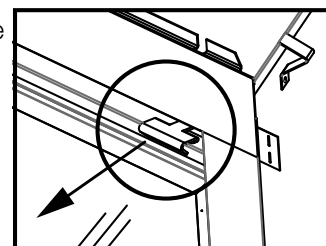
Avant d'enlever la porte vitrée, l'écran de protection doit être enlever. Soulevez l'écran de protection hors des 4 goupilles et enlever de l'appareil, puis inclinez la partie haut de la porte vitrée puis enlever de l'appareil.



Laissez une main sur la porte vitrée pendant l'enlèvement de la porte. La porte vitrée est maintenue en place par 2 loquets située en haut et 2 loquets en bas de la porte. Tirez les poignées des loquets vers l'avant, puis retirez les loquets du cadre de porte afin de libérer le haut de la porte. Répétez la même opération pour les 2 loquets inférieures. Pivotez ensuite le haut de la porte vers l'avant jusqu'à ce que vous puissiez saisir les côtés. Soulevez la porte hors du dispositif de retenue inférieur.

#### note:

Ces système de décharge constituent le système de secours de printemps de l'appareil. Vérifiez si le système de décharge effectue efficacement.

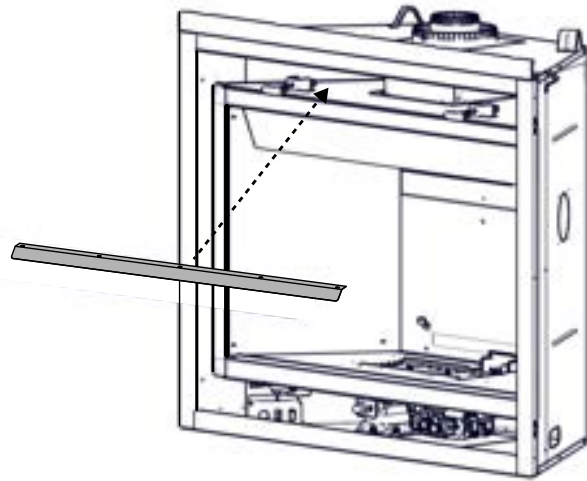
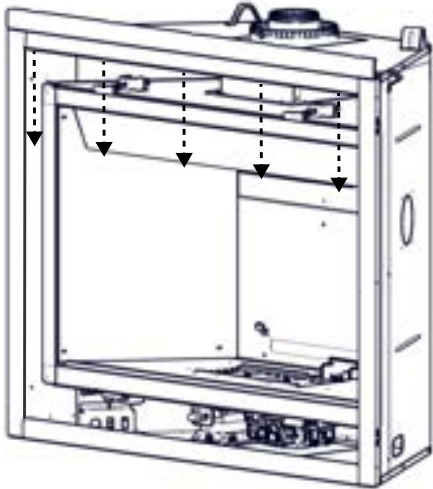


Inversez ces étapes pour réinstaller la porte et l'écran de protection. Assurez-vous que l'écran de protection est correctement installé.

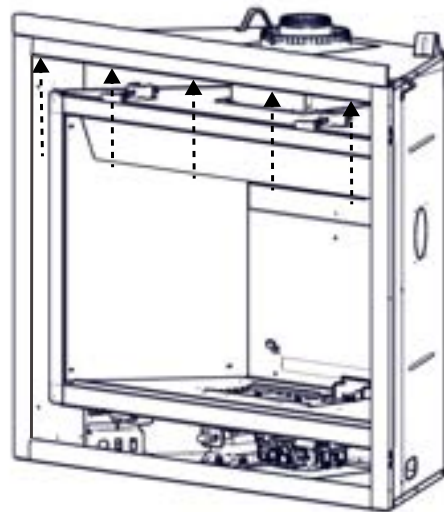
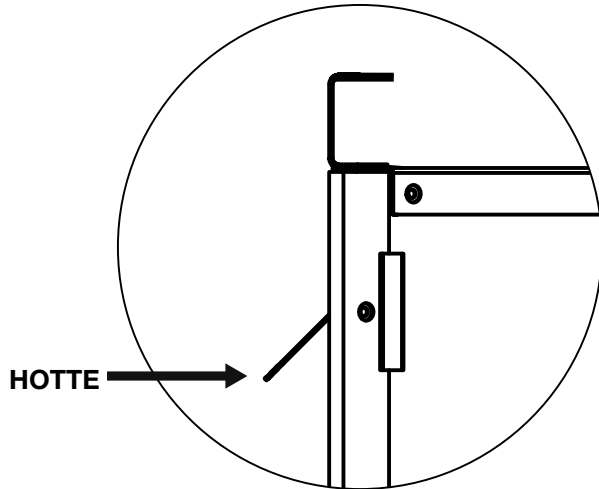
**note:**

Cette hotte **doit** être installée si elle n'a pas déjà été installée en usine.

- A. La porte et l'écran de protection doivent être enlevés.
- B. Retirez les vis de fixation de la partie supérieure de l'appareil, comme illustré.
- C. Installez l'avant hotte, assurez qu'elle est inclinée vers le bas lorsqu'il est installé.
- D. Reinstallez les vis de fixation précédemment enlever.



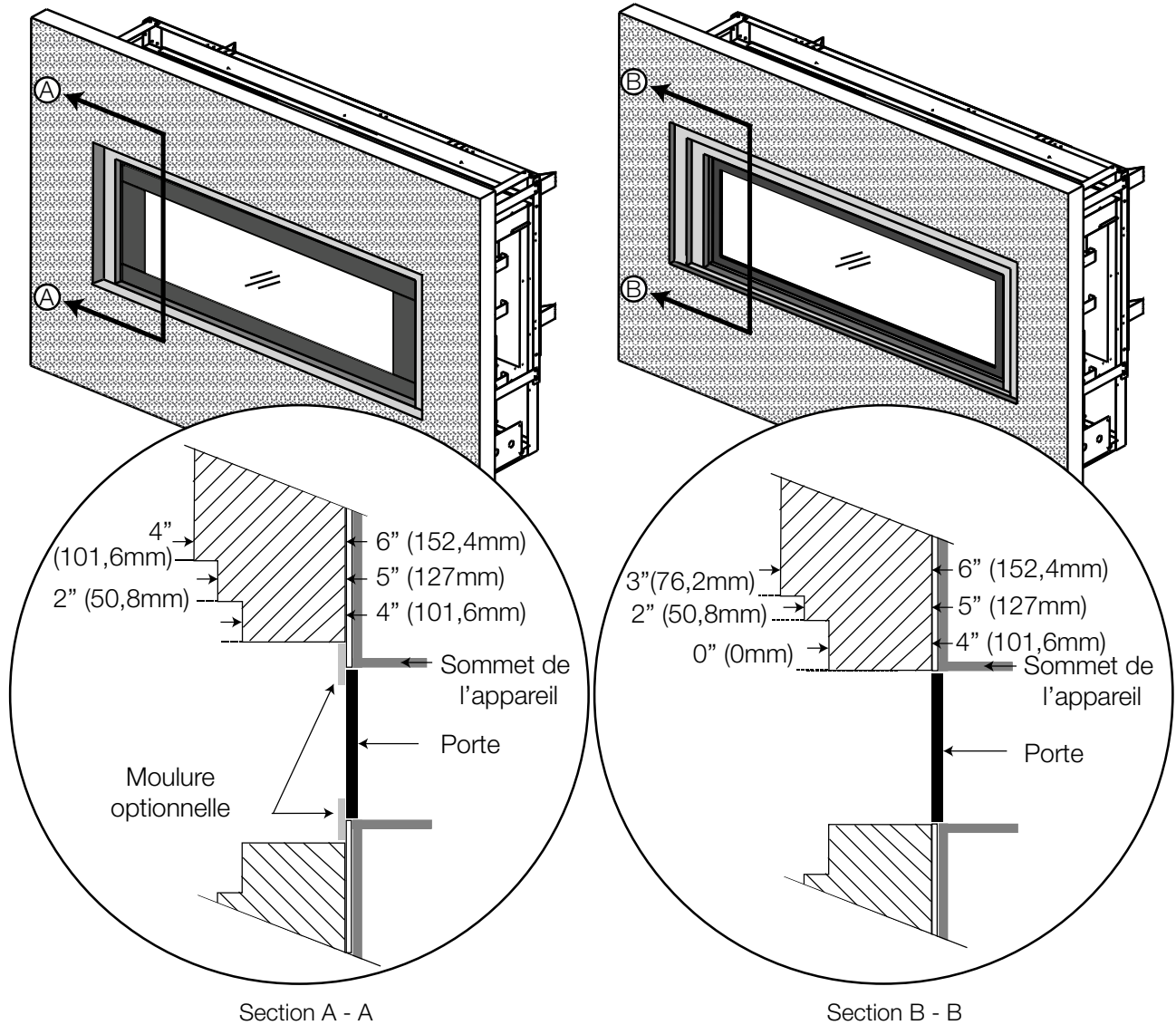
VUE DU CÔTÉ



9.3 matériau de finition incombustible

**! AVERTISSEMENT**

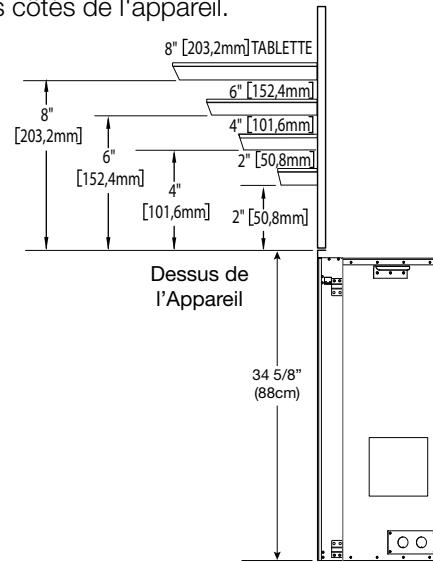
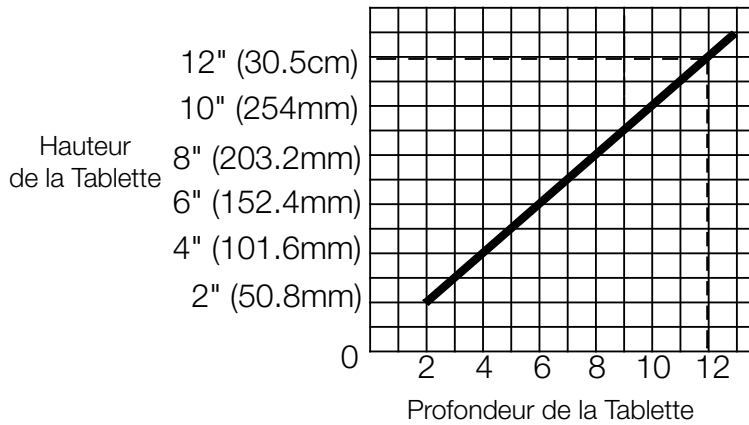
Les matériaux de finition incombustibles ne doivent pas dépasser de plus 4" (101,6mm) la façade de la porte (sur toutes côtés). Si des projections plus grandes sont requises, augmentez les dégagements des côtés et du dessus de 2" (50,8mm) pour chaque pouce (24,5mm) supplémentaire de projection. Si vous utilisez un moulure optionnelle, les mêmes règles s'applique, commençant du sommet du moulure. Garantir que les dégagements sont maintenus pour l'enlèvement du moulure, vous devez l'enlever de l'appareil pour l'entretien.



### ! AVERTISSEMENT

- Rique d'incendie. Conservez tous les dégagements aux matériaux combustibles spécifiés. Incapacité de se conformer à ces instructions peut causer un incendie ou une surchauffe. Assurez-vous que tous les dégagements (arrière, côtés, dessus, évents, tablette, façade, etc.) sont respectés à la lettre.
- Lorsque vous utilisez de la peinture ou du vernis comme finition pour votre tabelle assurez-vous qu'ils soient résistants à la chaleur afin de prévenir la décoloration.

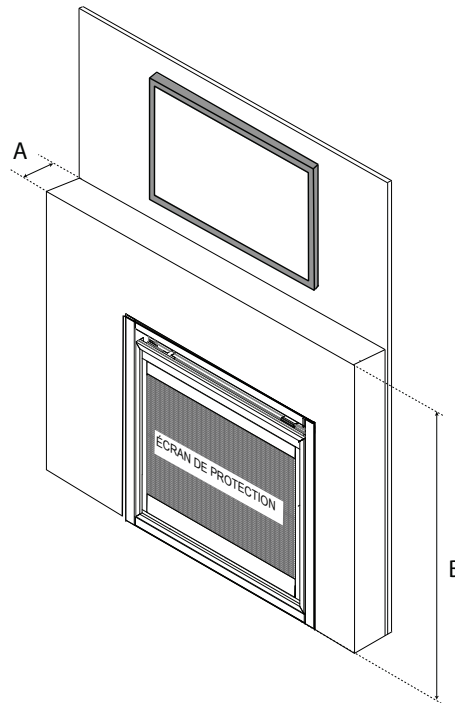
Le dégagement d'une tablette combustible à l'appareil peut varier selon la profondeur de la tablette. Utilisez le graphique pour vous aider à déterminer le dégagement nécessaire. Les mêmes dégagements aux matériaux combustibles s'appliquent pour toutes les surfaces en projection sur les côtés de l'appareil.



9.5 installation encadrée

**! AVERTISSEMENT**

- Installation d'une télévision ou d'autres appareils électroniques au-dessus de l'appareil peut provoquer une décoloration, la fonte, détérioration ou des autres dommages aux composants électroniques. Utiliser les autorisations que les lignes directrices et référer aux instructions qui se trouvent dans le manuel d'installation du fabricant de votre électroniques.



**note:**

Les zones encastrées ou les alcôves au dessus de l'appareil **doivent** être fabriqués avec un matériau incombustible et des dégagements minimaux réguliers, tel que défini pour les matériaux combustibles, doivent toujours être appliqués.

Le volume minimal de l'enceinte doit être augmenté d'au moins la valeur du volume de la zone encastrée. Cet ajustement peut être réalisé en augmentant une ou toutes les dimensions de l'enceinte.

L'installation d'une tablette entre cet appareil et les électroniques ou d'autres matériaux qui peuvent être sensibles à la chaleur, permettra de réduire l'effet de la chaleur directement à les électroniques ou matériaux. Suivez les instructions de la profondeur et de la hauteur de la tablette pour l'information correcte des dégagements. Voir la section « dégagements minimaux de la tablette combustible » pour plus d'informations des dégagements de la tablette.

**note:**

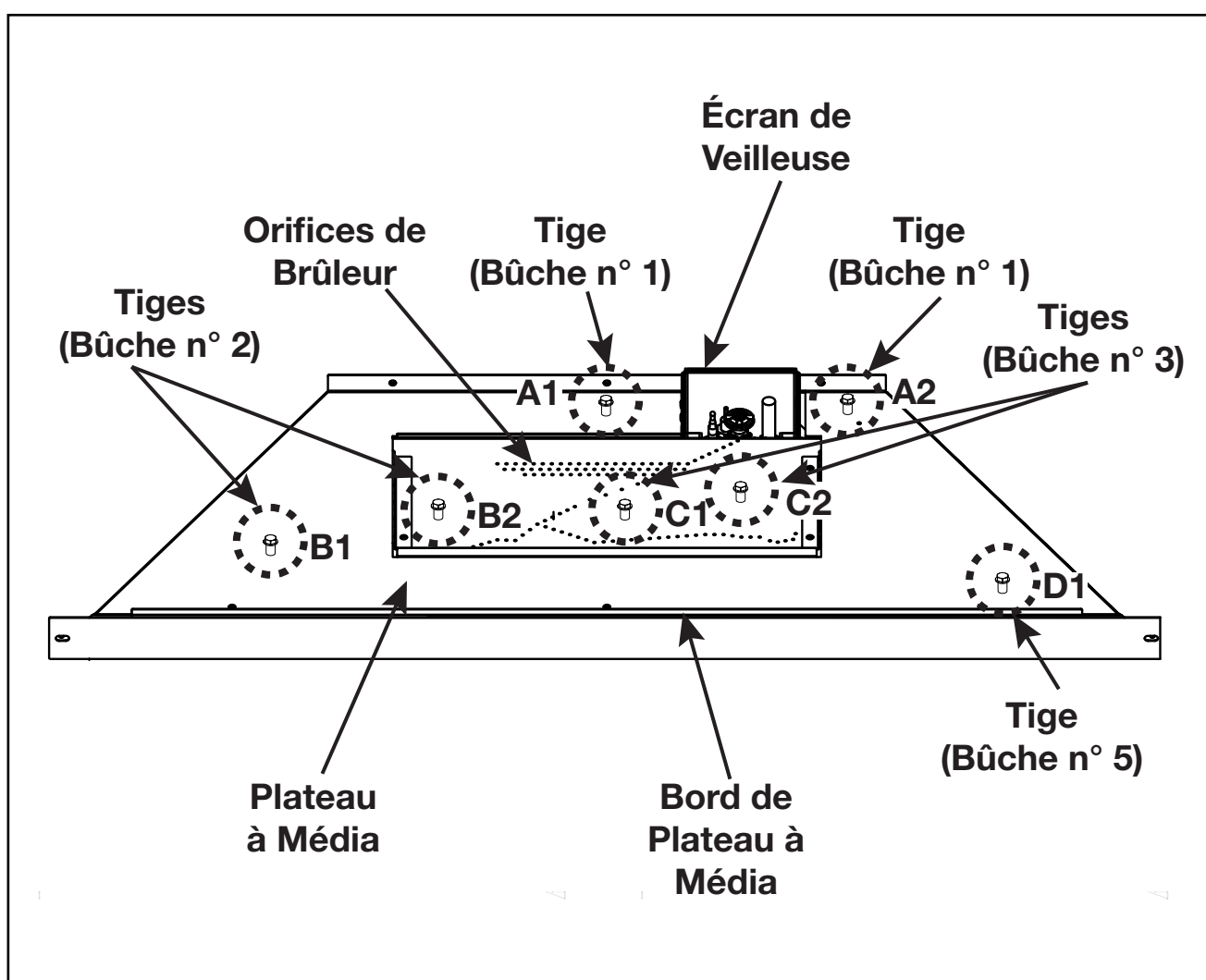
L'installation des électroniques ou d'autres matériaux qui peuvent être sensibles à la chaleur sur un mur en retrait permettra de réduire l'effet de la chaleur directe.

| DÉGAGEMENTS MINIMUM |  |
|---------------------|--|
| <b>A</b>            | 6" (152mm) MAX                           |
| <b>B</b>            | 41" (104,1cm) (ÉVACUATION ARRIÈRE)       |
| <b>B</b>            | 50 1/2" (128,3cm) (ÉVACUATION DU DESSUS) |

### ! AVERTISSEMENT

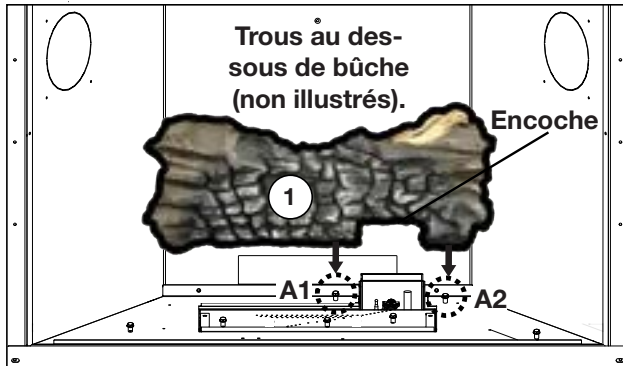
- Omettre de positionner les bûches conformément aux schémas ou omettre d'utiliser uniquement des bûches spécifiquement approuvées pour cet appareil peut causer des dommages matériels ou des blessures corporelles.
- Les bûches doivent être placées correctement à l'intérieur de l'appareil. Ne changez pas la position des bûches car l'appareil risque de ne pas fonctionner adéquatement et un retard d'allumage risque de se produire.
- Les bûches sont fragiles et devraient être manipulées avec soin.

Les bûches **PHAZER<sup>MD</sup>** et les braises incandescentes, exclusives aux appareils Napoléon, créent un effet réaliste et unique qui est différent dans chaque installation. Prenez le temps de bien installer les braises incandescentes pour obtenir le meilleur effet possible. Le couleur des bûches peut varier. Lors de la première utilisation de l'appareil, les couleurs deviendront plus uniformes à mesure que leurs pigments seront « absorbés » pendant le procédé de « cuisson ». Orifices du brûleurs bloqués peuvent provoquer une flamme irrégulière.

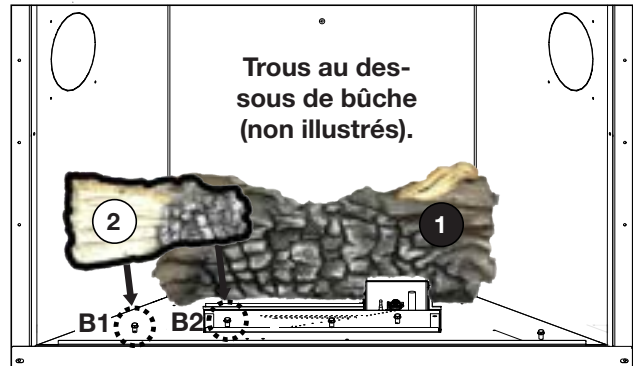


**Vue d'Ensemble du Brûleur**

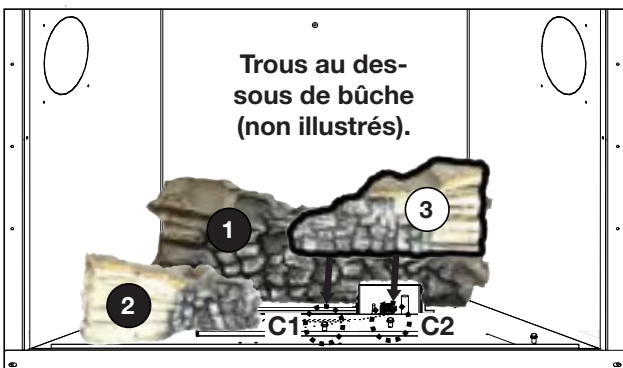




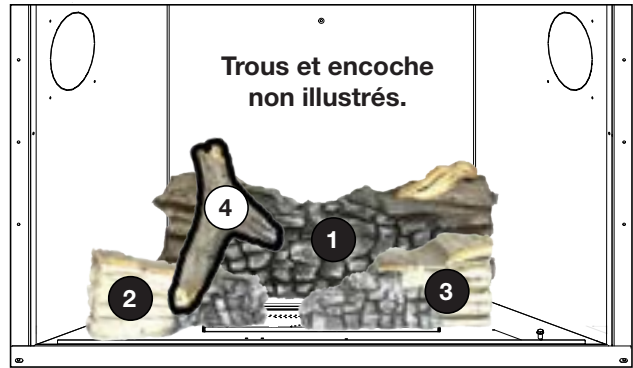
1. Placez les trous dans bûche n° 1 sur A1 et A2. Assurez-vous que l'encoche soit ajustée autour de l'écran de veilleuse.



2. Placez les trous dans bûche n° 2 sur B1 et B2. Ne couvrez pas les orifices de brûleur.

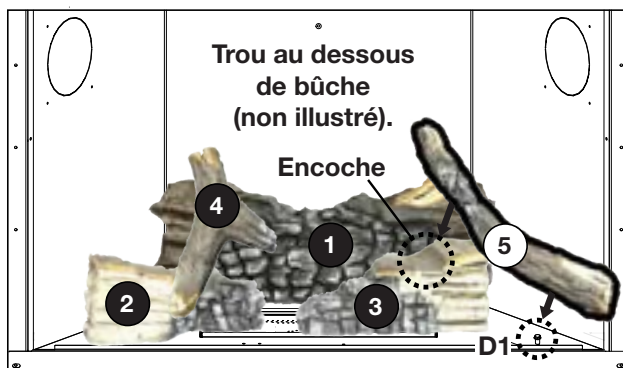


3. Placez les trous dans bûche n° 3 sur C1 et C2. Ne couvrez pas les orifices de brûleur.

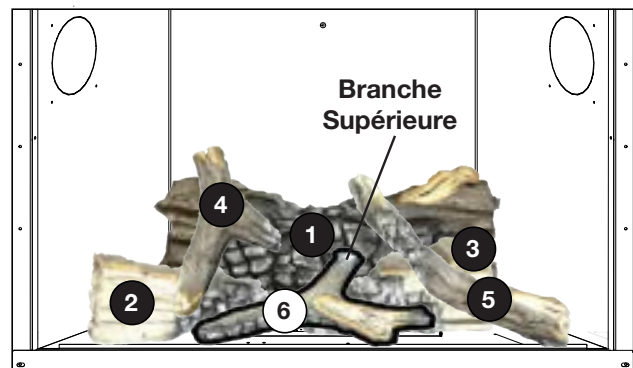


4. Placez le localisateur sur bûche n° 4 dans le trou dans bûche n° 2. Placez l'extrémité opposée sur l'encoche dans bûche n° 1.

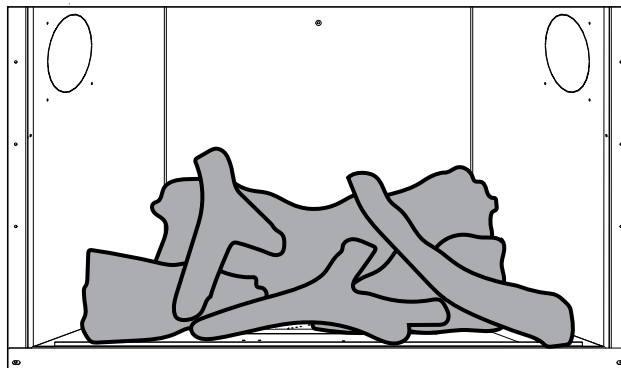
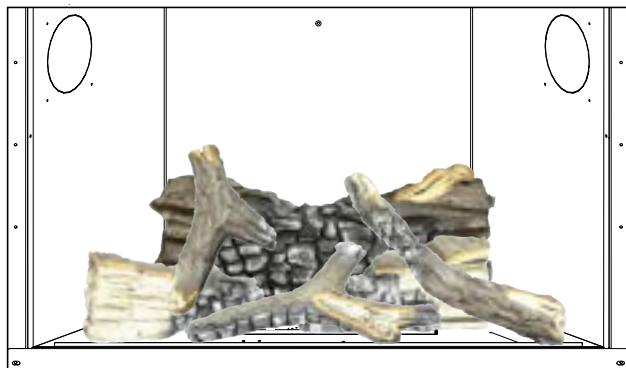
**NOTE: Placez les braises incandescentes sur le brûleur, devant les grandes grappes d'orifices (non illustrées). Le brûleur a été conçu d'avoir de grandes flammes à ces endroits. Si non, les flammes bleu seront présents.**



5. Placez le trou dans bûche n° 5 sur D1. Placez l'extrémité opposé sur l'encoche dans bûche n° 3.



6. Placez le bas de bûche n° 6 contre le bord du plateau à média. Assurez-vous que la branche supérieure s'engage avec l'extrémité gauche de bûche n° 3.
7. Couvrez le plateau à média avec charbon comme souhaité (non illustré). Assurez-vous que le charbon n'est pas sur la poêle du brûleur.



**note:**

En brûlant, un bon indicateur que les bûches sont installés correctement est que chaque flamme se tient raisonnablement droite. Si une bûche fend une flamme ou si c'elle change radicalement la direction de la flamme, examinez les instructions encore et/ou pivotez la bûche hors de contact direct.

## 9.7 braises incandescentes

### ! AVERTISSEMENT

- Obstruez pas ni fermer les orifices du brûleur. Le blocage des orifices du brûleur peut créer une flamme irrégulière, des dépôts de carbone et un retard d'allumage.

Déchirez les braises incandescentes en morceaux et placez une couche lâche sur le grillage du brûleur. Les braises devraient être déchirées très soigneusement en petits morceaux minces irréguliers, car seuls les côtés des fibres exposées à la flamme directe deviendront incandescentes. **Les braises n'allumer lorsque exposés à flamme directe; cependant, il faut veiller à ne pas bloquer ou fermez les orifices du brûleur.**

Le blocage des orifices du brûleur peut créer une flamme irrégulière, des dépôts de carbone et un retard d'allumage. Les bûches **PHAZER<sup>MD</sup>** exposées à la flamme directe deviendront incandescentes. Utilisez seulement les « braises incandescentes » et bûches **PHAZER<sup>MD</sup>** disponible de votre détaillant autorisé locale.

## 9.8 braises de charbon

### ! AVERTISSEMENT

- Obstruez pas ni fermer les orifices du brûleur. Le blocage des orifices du brûleur peut créer une flamme irrégulière, des dépôts de carbone et un retard d'allumage.
- Si équipée; les braises de charbon de bois, les morceaux de charbon et la vermiculite ne doivent pas être placés sur le brûleur.

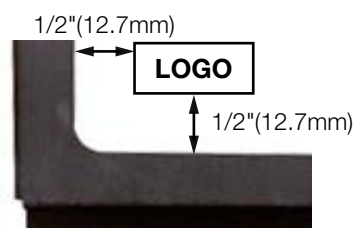
Éparpillez les braises à l'avant et sur les côtés du support à bûches de façon à créer un effet réaliste. N'utilisez pas la fine poussière qui reste au fond du sac.

**note:**

Les braises de charbon de bois ne doivent pas être placée sur le brûleur.

## 9.9 mise en place du logo

Retirez le papier dorsal du logo et placez-le sur comme illustrée.



## 10.0 installation de la soufflerie optionnelle

FR

### ! AVERTISSEMENT

- Assurez-vous que l'appareil est complètement refroidi avant de commencer l'installation.
- Afin d'éviter les risques de suffocation, gardez le sac d'emballage loin des bébés et des jeunes enfants. Ne le laissez pas traîner dans les berceaux, les lits, les poussettes, ou les parcs de jeu. Ce sac n'est pas un jouet. Nouez-le avant de le jeter.

- A.** Soulevez le pare-étincelles et enlevez-le de l'appareil.  
**B.** Enlevez la porte de l'appareil en dégageant les loquets de la porte.

**note:**

Il peut être nécessaire de déplacer le module de contrôle de côté pendant l'installation de la soufflerie.

- C.** Branchez les deux connecteurs de 1/4" (noir et blanc) du harnais de fils à la support aimanté du thermodisque.
- D.** Branchez les deux connecteurs de 1/4" (noir et rouge) du harnais de fils à la soufflerie.
- E.** Installez les bouchons claires fournis sur le fond du soufflerie pour éviter le frottement du soufflerie contre le plancher de l'appareil.
- F.** Faites pivoter la soufflerie dans le bas de l'appareil, assurez que le joint d'étanchéité reste en place entre la soufflerie et le foyer pendant que vous glissez-le soufflerie contre la côté gauche dans la patte du montage du soufflerie. Fixer en place utilisant une vis, voir Figure 1 et 2.

**note:**

Utilisez l'attache fourni, assurez-vous que tous les fils soit éloigner du soufflerie.

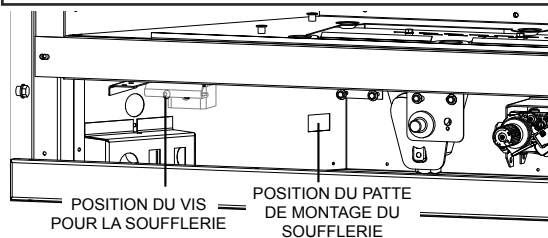


Fig. 1

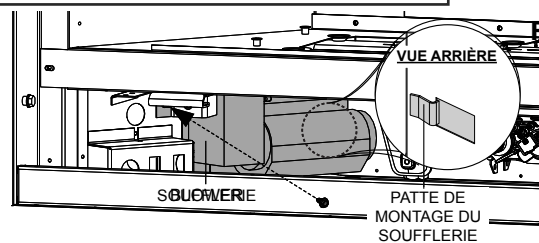


Fig. 2

- G.** Remettez le module de commande dans sa position originale. Assurez-vous que le transformateur est branché dans la prise de la boîte électrique.
- H.** Installez le support IVV puis fixer en place utilisant les deux vis précédemment enlever, Figure 3. Pour installer l'IVV le support de l'interrupteur à vitesse variable doivent être installé, enlever les deux vis du support du piezo.
- I.** L'interrupteur à vitesse variable (IVV) doivent être démonté pour fixer au support IVV pour l'installation. Placez l'IVV entre le support puis fixer utilisant le rondelle de blocage. Prenez le bouton de l'interrupteur et installez-le en position, voir la Figure 3.

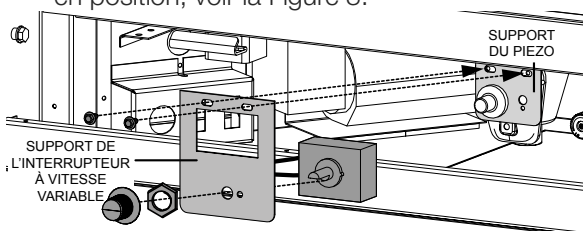


Fig. 3

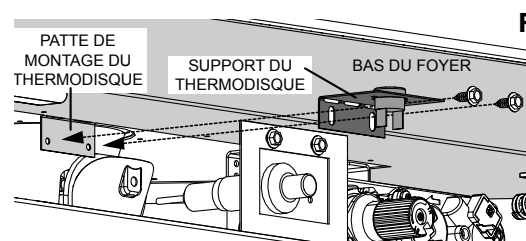


Fig. 4

- J.** Branchez le connecteur de l'IVV dans la prise correspondante du harnais de fils.
- K.** Pliez le support du thermodisque à 90 degrés puis fixez-le au patte de montage utilisant les deux vis fournis, Figure
- L.** Assurez que le thermodisque touche le bas du foyer et que le harnais de fils est correctement fixé.
- M.** Branchez le cordon d'alimentation de la soufflerie dans la boîte électrique.

**note:**

La soufflerie est actionnée par la chaleur. Lorsqu'elle est mise sous tension, elle se met automatiquement en marche environ 15 minutes après l'allumage de l'appareil et fonctionnera environ 30 minutes après l'arrêt de l'appareil.

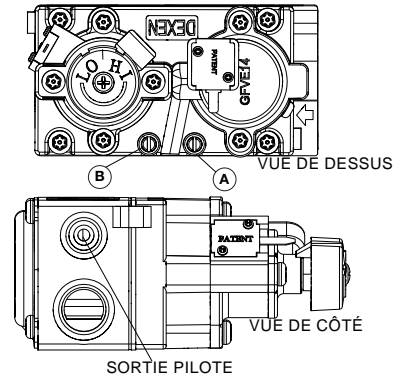
# 11.0 réglages

FR

## 11.1 vérifiez les mesures de pression

Pour vérifier la pression d'arrivée, tournez la vis (A) vers la gauche deux à trois tours puis emboîtez le tube du manomètre sur la pointe d'essai. Le manomètre doit indiquer la pression comme décrit sur le diagramme ci-dessous. Vérifier la pression avec brûleur principal sur « HI ».

La vérification de la pression de sortie s'effectue comme ci-dessus en utilisant la vis (B). Le manomètre doit indiquer la pression comme décrit sur le diagramme ci-dessous. Vérifier la pression avec le brûleur principale sur « HI ».



**Après avoir pris la lecture des pressions, assurez-vous de tourner fermement les vis vers la droite pour sceller. Ne serrez pas trop fort.**

Vérifiez pour des fuites en appliquant une solution d'eau savonneuse.

Avant d'effectuer le réglage de la veilleuse, assurez-vous que l'assemblage de la veilleuse n'a pas été peint. S'il y a des traces de peinture ou de surpulpvrisation, enlevez-les de l'assemblage de la veilleuse ou remplacez-le. Une toile d'émeri ou un tampon récurage (comme Scotch-Brite™) peut être utilisé pour enlever la peinture sur la hotte de la veilleuse, sur l'électrode et sur la capteur de flamme.

| Pression | Gaz Naturel (pouces)  | Gaz Naturel (millibars)    | Propane (pouces)     | Propane (millibars)        |
|----------|-----------------------|----------------------------|----------------------|----------------------------|
| Arrivée  | *7"<br>(minimum 4,5") | 17,4mb<br>(minimum 11,2mb) | 13"<br>(minimum 11") | 32,4mb<br>(minimum 27,4mb) |
| Sortie   | 3,5"                  | 8,7mb                      | 10"                  | 24,9mb                     |

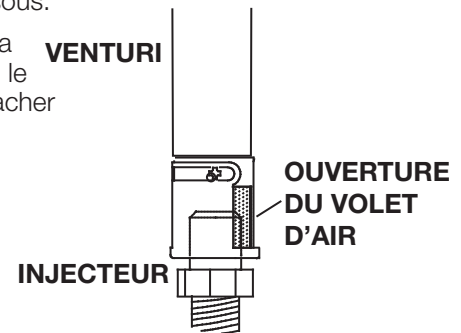
\* Pression d'alimentation maximale ne devait pas dépasser 13"

## 11.2 réglage du venturi

L'ouverture du volet d'air a été pré-réglée en usine selon le tableau ci-dessous:

Indépendamment de l'orientation du venturi, plus le volet est fermé, plus la flamme est jaune et aura tendance à causer des dépôts de carbone. Plus le volet est ouvert, plus la flamme est bleue et plus elle a tendance à se détacher des orifices du brûleur. La flamme peut ne pas être jaune immédiatement; allouez de 15 à 30 minutes pour que la couleur finale de la flamme se stabilise.

**LE RÉGLAGE DU VOLET D'AIR DOIT ÊTRE EXÉCUTÉ PAR UN TECHICIEN OU INSTALLATEUR QUALIFIÉ.**



**note:**

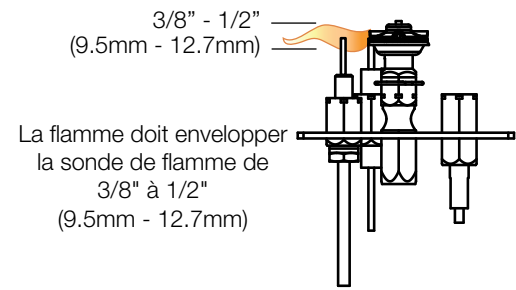
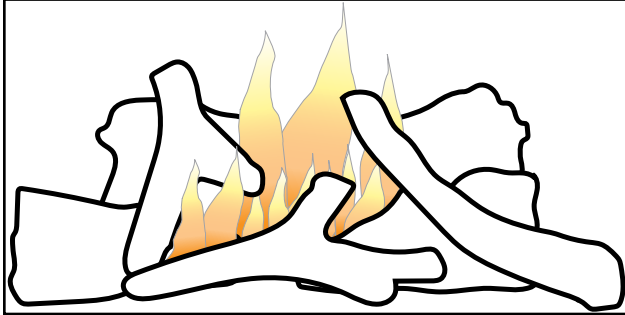
Il est important que l'injecteur soit correctement inséré dans le venturi.

**TABLEAU DE RÉGLAGE DU VENTURI**

| COMBUSTIBLE | DESSUS        | ARRIÈRE      |
|-------------|---------------|--------------|
| GN          | 1/16" (1,5mm) |              |
| P           | 1/4" (6,3mm)  | 3/8" (9,5mm) |

### 11.3 caractéristiques de la flamme

Il est important d'effectuer périodiquement une inspection visuelle de la flamme de la veilleuse et du brûleur. Comparez-les à ces illustrations. Si des flammes paraissent anormales, contactez un technicien de service.



La flamme doit envelopper  
la sonde de flamme de  
3/8" à 1/2"  
(9.5mm - 12.7mm)

**Pilote IPI est illustré.**

## 12.0 entretien

FR

### AVERTISSEMENT

- Coupez l'alimentation en gaz et l'alimentation électrique avant de procéder à l'entretien de l'appareil.
- L'appareil peut être chaud. Attendez qu'il soit refroidi avant d'en faire l'entretien.
- N'utilisez pas de produits abrasifs.
- Ne peignez pas l'assemblage de la veilleuse.

Cet appareil et son système d'évacuation devraient être inspectés avant la première utilisation et au moins une fois l'an par un technicien de service qualifié. Les vérifications suggérées doivent être effectuées par un technicien qualifié. L'espace entourant l'appareil doit être gardé propre et libre de matériaux combustibles, d'essence ou d'autres liquides et vapeurs inflammables. Les apports d'air comburant et d'air de connexion ne doivent pas être obstrués.

#### note:

Attention: Lors de l'entretien des contrôles, assurez-vous d'identifier chacun des fils avant de les débrancher. Une réinstallation incorrecte des fils peut occasionner un mauvais fonctionnement et être dangereuse.

1. Pour nettoyer le brûleur principal et la veilleuse adéquatement, il faut retirer les bûches, les roches ou la vitre afin de dégager les deux ensembles.
2. Gardez le compartiment des contrôles, les composants décoratifs, le brûleur, le volet d'air et l'espace entourant les bûches propres en brossant ou en passant l'aspirateur au moins une fois l'an.
3. Assurez-vous que tous les orifices des brûleurs produisent des flammes. Nettoyez tous les orifices qui n'ont pas de flamme ou dont la flamme ne brûle pas adéquatement.
4. Assurez-vous que la flamme de la veilleuse est assez puissante pour envelopper la sonde de flamme et/ou le thermocouple/thermopile et qu'elle atteigne le brûleur.
5. Si votre appareil est fourni avec un écran de protection, le nettoyage peut être nécessaire en raison d'un excès de poussière / peluches des tapis, animaux, etc. utilisez un l'attachement du brosse sur aspirateur pour nettoyer l'écran.
6. Si votre appareil est fourni avec les détendeur de portes assurez-vous que le système fonctionne efficacement. Assurez que le joint d'étanchéité n'est pas usé ou endommagé. Remplacer si nécessaire.
7. Remettez en place les bûches, les roches ou la vitre nettoyées, si équipé. Omettre de positionner les composants décoratifs adéquatement peut causer des dépôts de carbone qui peuvent se déposer à l'intérieure de la chambre de combustion et sur les surfaces extérieures entourant d'évent.
8. Vérifiez si le brûleur principal allume sur tous les orifices lorsque le bouton de contrôle du gaz est à « ON ». Un temps d'allumage total de 5 à 10 secondes est satisfaisant. Si l'allumage prend plus de temps, consultez votre revendeur agréé ou du distributeur.
9. Inspectez visuellement l'appareil pour des dépôts de carbone. À l'aide d'une balayette ou d'une brosse, enlevez le carbone et aspirez-le avec un aspirateur ou mettez-le au rebut.
10. **Cette étape n'est pas pour les appareils d'événements libres:** Vérifiez que l'appareil correctement mise à l'événement. Vérifiez que le système de cheminée est sûr et accessible. (Si pour auqu'un raison le système d'air est démonter, installez et scellé conformément aux instructions d'installation fournies).

## 12.1 entretien annuel

### AVERTISSEMENT

- Le caisson devient très chaud lors du fonctionnement. Laissez l'appareil se refroidir complètement ou portez des gants antichaleur avant d'effectuer l'entretien.
- Ne jamais aspirer des braises qui sont chaudes.
- Ne peignez pas l'assemblage de la veilleuse.

- Cet appareil nécessite un entretien qui devra être effectué sur une base annuelle.
- L'entretien devrait inclure un nettoyage, le remplacement des piles, une inspection du système d'événement, du brûleur, des éléments décoratifs internes et de la chambre de combustion. Consultez la section pour l'enlèvement de la porte et retirez la porte comme indiqué. Consultez la section pour l'enlèvement de l'écran de protection et retirez la porte comme indiqué.
- Enlevez soigneusement les éléments décoratifs internes s'il y a lieu (bûches, braises de verre, panneaux de brique, etc.)
- À l'aide d'un aspirateur muni d'une brosse souple, aspirez les saletés, les débris et les dépôts de carbone sur les bûches, la chambre de combustion et le brûleur. Pour les braises de verre, suivez les instructions de prénettoyage.

**note:**

Vous devrez nettoyer le capteur de flamme à l'aide d'un morceau de laine d'acier ou un tampon récurage (Scotch-Brite<sup>MD</sup>) afin de retirer toute trace d'oxydation. Nettoyez l'assemblage du pilote à l'aide d'un aspirateur muni d'une brosse souple. Il est important de ne pas peindre l'assemblage de la veilleuse.

- Enlevez aussi tout dépôt se trouvant sur l'assemblage de la veilleuse et aussi, s'il y a lieu, sur la thermopile, le thermocouple, le capteur de flamme et l'allumeur.
- Inspectez tous les joints d'étanchéité accessibles et remplacez-les au besoin.
- Accédez à la soufflerie, s'il y a lieu, puis nettoyez à l'aide d'une brosse souple et d'un aspirateur.
- Réinstallez tous les composants dans l'ordre inverse.
- Inspectez le système de surpression. L'appareil dissipe la pression par la porte vitrée ou par les clapets sur le dessus du caisson. Assurez-vous qu'ils ouvrent sans restriction et qu'ils ferment de façon étanche. Si la vitre de la porte est fissurée, remplacer. Seulement utiliser le verre fourni par votre détaillant autorisé.
- Vérifiez si la soupape de gaz de la veilleuse et les boutons Hi / Lo bougent librement (s'il y a lieu) - remplacez si vous constatez de la rigidité dans le mouvement.
- Vérifiez tous les branchements du gaz pour des fuites de gaz, en amont et en aval de la soupape de gaz incluant les connexions du tube de la veilleuse.

## 12.2 remplacement de la vitre de porte

### ! AVERTISSEMENT

- N'utilisez pas de matériaux de substitution.
- La vitre peut être chaude, ne touchez pas la vitre jusqu'à ce qu'elle ait refroidi.
- Usez de prudence lorsque vous enlevez et jetez des débris de verre des composants endommagés. Assurez-vous d'aspirer tous les débris de verre à l'intérieur de l'appareil avant de le faire fonctionner.
- Ne frappez pas, ne claquez pas et n'égratignez pas la porte vitrée. Ne faites pas fonctionner l'appareil lorsque la porte vitrée est enlevée, fissurée, brisée ou égratignée

Ensemble de verre/cadre de remplacement est remplacé complète telle que fournie par le fabricant de l'appareil.

## 12.3 soins de la vitre

### ! AVERTISSEMENT

- Nettoyer pas la vitre lorsqu'elle est chaude! N'employez pas de détergents abrasifs pour nettoyer la vitre.

Polissez légèrement à l'aide d'un linge propre et sec pour enlever la poussière et les traces de doigts. Nettoyez les deux côtés de la vitre avec un nettoyant sans ammoniac après les dix premières heures de fonctionnement.

**note:**

Les nettoyants à base de vinaigre procurent habituellement une surface propre et sans traces.

Par la suite, nettoyez aussi souvent qu'il le faudra, sinon la vitre risque de rester marquée en permanence.

Ne touchez pas la surface intérieure ou extérieure de la vitre avec des lames de rasoir, de la laine d'acier ou d'autres objets métalliques puisque la mince couche de métal retirée de l'objet pourrait se déposer sur le revêtement causant une décoloration ou une égratignure. Plus important encore, cela peut rayer la surface du verre réduisant ainsi sa puissance.

Ne pas faire fonctionner l'appareil avec la vitre brisée, les fuites de gaz de combustion peut résulter.

Contactez votre détaillant local autorisé pour les instructions de nettoyage complètes.

Si la vitre devait fissurer pendant que le feu brûle, n'ouvrez pas la porte jusqu'à ce que le feu s'éteigne et n'utilisez pas l'appareil jusqu'à ce que la vitre ait été remplacée par une nouvelle, disponible chez votre détaillant autorisé. **N'UTILISEZ PAS DE MATÉRIAUX SUBSTITUTS.**

L'appareil est muni d'une 4mm vitre en verre trempé. Remplacez uniquement avec une vitre certifiée pour le foyer disponible chez votre détaillant autorisé. **N'UTILISEZ PAS DE MATÉRIAUX SUBSTITUTS.**

## 13.0 pièces de rechange

FR

### **AVERTISSEMENT**

- Omettre de positionner les pièces conformément à ce manuel ou d'utiliser uniquement des pièces spécifiquement approuvées pour cet appareil peut causer des dommages matériels ou des blessures corporelles.

Contactez votre détaillant pour les questions concernant les prix et la disponibilité des pièces de remplacement. Normalement, toutes les pièces peuvent être commandées chez votre détaillant autorisé.

**Pour un remplacement de pièce sous garantie, une photocopie de la facture originale sera requise afin de pouvoir honorer la demande.**

Lorsque vous commandez des pièces, donnez toujours l'information suivante:

- Modèle et numéro de série de l'appareil
- Date d'installation de l'appareil
- Numéro de la pièce
- Description de la pièce
- Fini

**Pièces, numéro des pièces et s'il soit disponible peut changer sans préavis.**

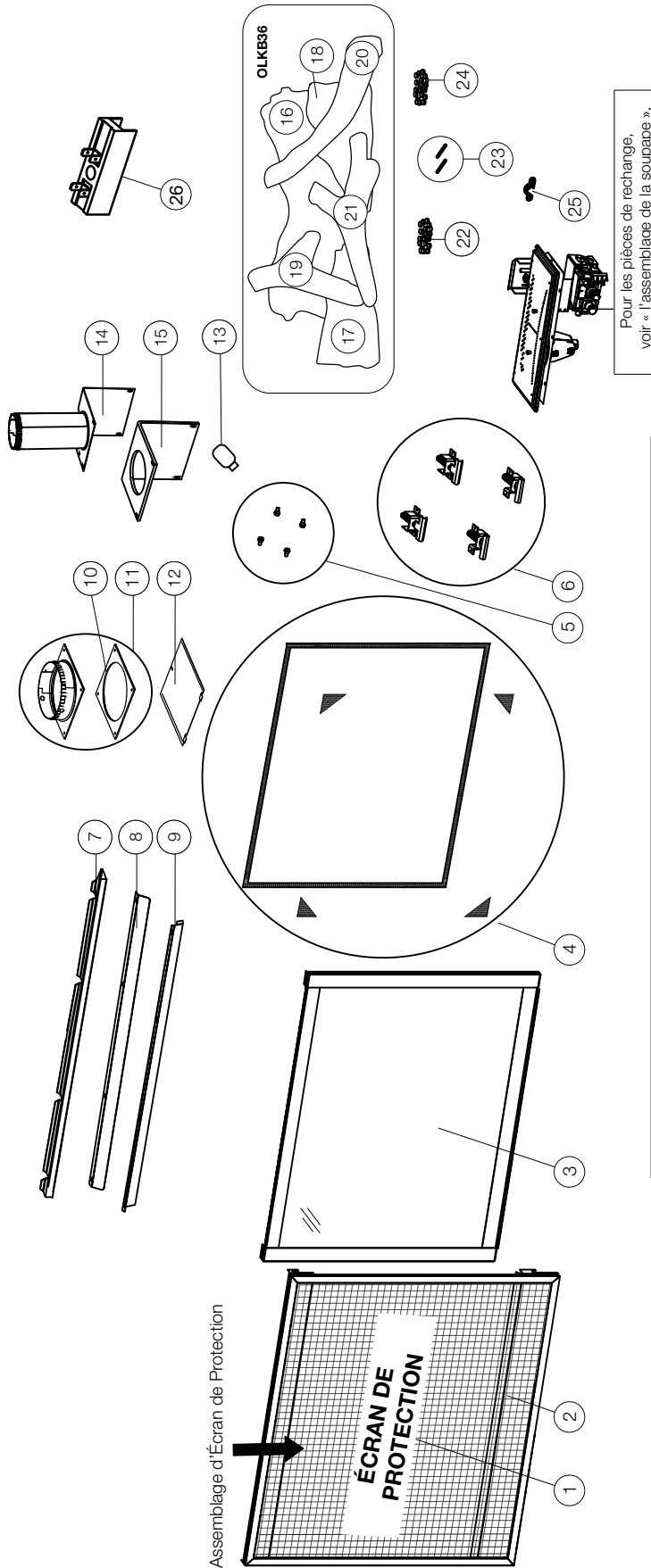
**Parties identifiées comme garnie seront livrés dans 2 à 5 jours pour la plupart des destinations de livraison.**

**Pièces non identifiées que stockés seront livrés dans un délai de 2 à 4 semaines pour la plupart des cas.**

**Pièces identifiées comme « SO » sont commande spéciale et peuvent prendre jusqu'à 90 jours pour la livraison.**



13.1 vue d'ensemble

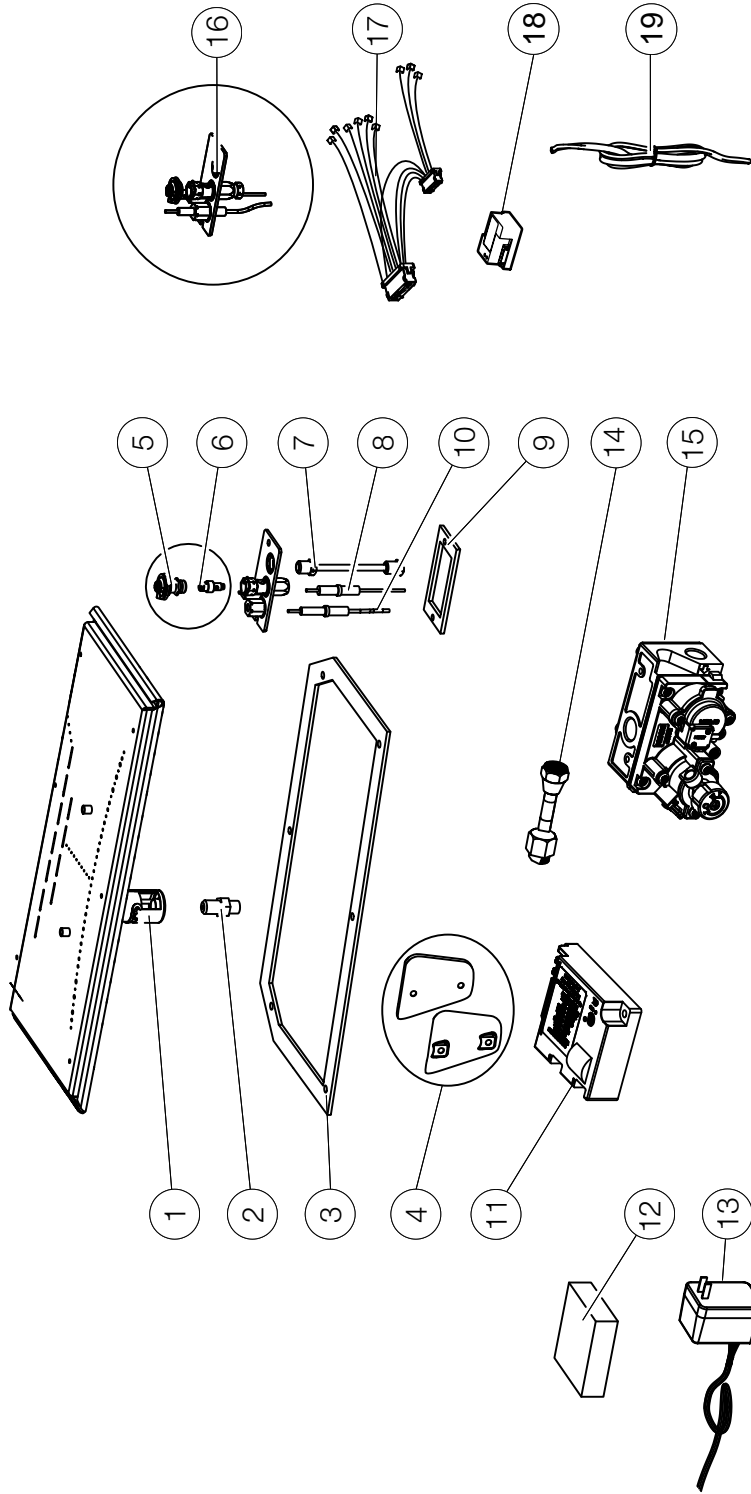


CES ARTICLES PEUVENT DIFFÉRER DE CELLES ILLUSTRÉS.

Pour les pièces de rechange, voir « l'assemblage de la soupape ».

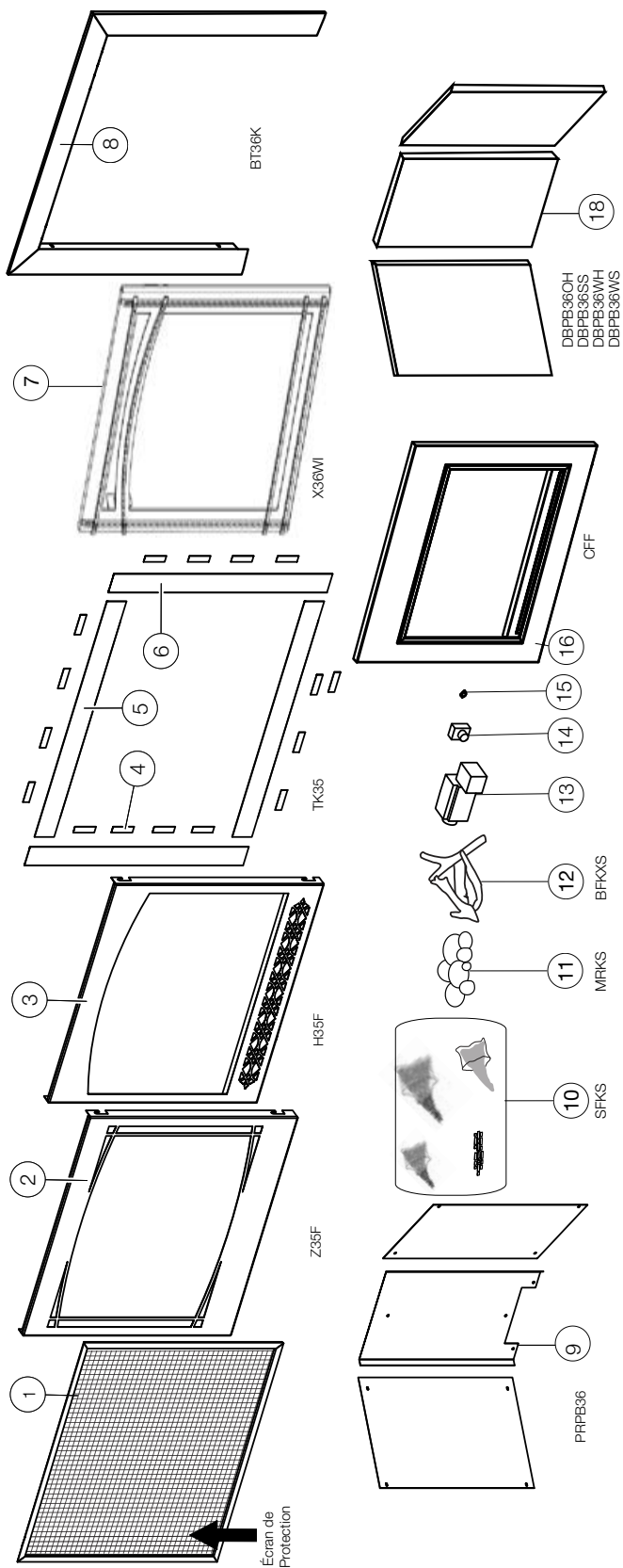
| RÉF. | NO. DE PIÈCE  | DESCRIPTION                                  | EN STOCKED | RÉF. | NO. DE PIÈCE  | DESCRIPTION                                | EN STOCKED |
|------|---------------|--|------------|------|---------------|--|------------|
| 1    | W565-0209-SER | Barrière de Protection                       |            | 14   | W010-3490-SER | Assemblage du Collet d'Évacuation          |            |
| 2    | W010-3072-SER | Assemblage de la Barrière de Protection      |            | 15   | W290-0282     | Joint d'Étanchéité du Support d'Évacuation |            |
| 3    | W010-3068-SER | Assemblage de la Porte                       | Oui        | 16   | W135-0930     | Bûche n° 1, Arrière                        |            |
| 4    | W562-0068     | Assemblage du Joint d'Étanchéité de la Porte | Oui        | 17   | W135-0931     | Bûche n° 2, Centrale Gauche                |            |
| 5    | W570-0135     | Vis à Épaulement                             | Oui        | 18   | W135-0932     | Bûche n° 3, Centrale Droite                |            |
| 6    | W010-3554     | Loquet de la Porte                           |            | 19   | W135-0932     | Bûche n° 4, Croisé Gauche                  |            |
| 7    | W715-1040-SER | Garniture de Finition Supérieure             |            | 20   | W135-0934     | Bûche n° 5, Croisé Droite                  |            |
| 8    | W335-0063-SER | Hotte  |            | 21   | W135-0935     | Bûche n° 6, Croisé Droite Avant            |            |
| 9    | W018-0158-SER | Déflecteur Supérieure                        |            | 22   | W361-0016     | Braises Incandescentes                     | Oui        |
| 10   | W290-0054     | Tuyau du Joint d'Étanchéité 7"               | Oui        | 23   | W485-0042     | Goupille des Bûches (X2)                   | Oui        |
| 11   | W010-3489-SER | Assemblage du Collet d'Air 7"                |            | 24   | W650-0001     | Braises de Charbon                         | Oui        |
| 12   | W500-0837     | Plaque de Recouvrement d'Évents              |            | 25   | W385-2010     | Logo Napoléon                              |            |
| 13   | RP4           | Plaque de Restriction de 4"                  |            | 26   | W060-0019     | Bornier                                    |            |

## 13.2 assemblage de la soupape



Ces articles peuvent différer de ceux illustrés.

| Réf. | No. de Pièce  | Description                        | En Stock | Réf. | No. de Pièce | Description                  | En Stock |
|------|---------------|------------------------------------|----------|------|--------------|------------------------------|----------|
| 1    | W100-0283-SER | Assemblage de brûleur              | Oui      | 10   | W245-0025    | Thermocapteur                | Oui      |
| 2    | W456-0047     | Injecteur de brûleur #47 (GN)      | Oui      | 11   | W190-0135    | Tableau de contrôle          | Oui      |
| 2    | W456-0056     | Injecteur de brûleur #56 (P)       | Oui      | 12   | W350-0342    | Sauvegarde de piles          | Oui      |
| 3    | W290-0248     | Joint d'assemblage de la soupape   |          | 13   | W707-0002    | Cordon d'alimentation (18")  | Oui      |
| 4    | W500-0276-SER | Assemblage de couvercle de venturi |          | 14   | W432-0078    | Tuyau flexible de collecteur | Oui      |
| 5    | W335-0039     | Hotte de pilote                    | Oui      | 15   | W725-0104    | Soupape (GN)                 | Oui      |
| 6    | W455-0070     | Orifice de pilote #62 (GN)         | Oui      | 15   | W725-0105    | Soupape (P)                  | Oui      |
| 6    | W455-0068     | Orifice de pilote #35 (P)          | Oui      | 16   | W010-2863    | Assemblage de pilote (GN)    | Oui      |
| 7    | W720-0062     | Tuyau de pilote avec raccords      | Oui      | 16   | W010-2900    | Assemblage de pilote (P)     | Oui      |
| 8    | W240-0013     | Électrode avec fil                 | Oui      | 17   | W750-0463    | Harnais de fils (contrôle)   | Oui      |
| 9    | W290-0029     | Joint de pilote                    | Oui      | 18   | W190-0044    | Relais de contrôle           |          |
|      |               |                                    |          | 19   | W750-0193    | Interrupteur de fil          |          |



Ces articles peuvent différer de celles illustrés.

| Ref. | No. de Pièce  | Description                                   | No. de Pièce | Description | En Stock   |
|------|---------------|---|--------------|-------------|--|
| 1    | W565-0209-SER | Écran de Protection (Z35F & H35F)             | 10           | SFKS        | Ensemble Shore Fire  |
| 2    | W010-3275     | Façade Décorative Zen Noire (Z35F)            | 11           | MRKS        | Ensemble Mineral Rock  |
| 3    | W010-3124     | Façade Décorative Héritage Noire (H35F)       | 12           | BFKXS       | Ensemble Beach Fire  |
| 4    | W430-0003     | Aimants (X16) (TK35)                          | 13           | AUB         | Soufflerie   |
| 5    | W715-0953     | Garniture Supérieure / Inférieure (X2) (TK35) | 14           | KB-35       | Interrupteur à Vitesse Variable                              |
| 6    | W715-0952     | Garniture Latérale (X2) (TK35)                | 15           | W690-0002   | Thermodisque   |
| 7    | X36WI         | Façade Décorative Pleine Vision Noir Mat      | 16           | OFF         | Façade Décorative Pleine Vision Noir Mat                     |
| 8    | BT36K         | Garniture Cambrée Luxe Noire de 3"            | 17*          | RR36        | Support Arrière pour Ensembles Décoratifs                    |
| 9    | PRPB36        | Panneaux Réflecteurs Radiants en Porcelaine   | 18           | DBPB36OH    | Panneaux Décoratifs Simili-Briques, Old Town en Épi          |
|      |               |   | 18           | DBPB36SS    | Panneaux Décoratifs Simili-Briques, Pierre de Sable Standard |
|      |               |   | 18           | DBPB36WH    | Panneaux Décoratifs Simili-Briques, Westminster en Épi       |
|      |               |   | 18           | DBPB36WS    | Panneaux Décoratifs Simili-Briques, Westminster Standard     |

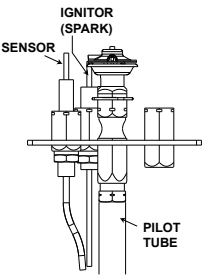
\* Parties non illustrés.

# 15.0 guide de dépannage

FR

## ! AVERTISSEMENT

- Allumez toujours la veilleuse, que ce soit pour la première fois ou lorsque l’approvisionnement en gaz est épuisé, avec la porte vitrée ouverte ou retirée.
- Coupez l’alimentation en gaz et l’alimentation électrique avant de procéder à l’entretien de l’appareil.
- L’appareil peut être chaud. N’effectuez aucun entretien jusqu’à ce que l’appareil soit refroidi.
- N’utilisez pas de nettoyeurs abrasifs

| symptôme   | problème  | solution  |                      |                            |                         |                  |                     |         |                       |                            |                      |                            |        |      |       |     |        |
|--|---|---|----------------------|----------------------------|-------------------------|------------------|---------------------|---------|-----------------------|----------------------------|----------------------|----------------------------|--------|------|-------|-----|--------|
| La flamme du brûleur principal est bleue, paresseuse et transparente<br>(Ce n’est pas applicable dans les appareils d’extérieur) | Système d’évacuation bloqué.<br><br>Installation incorrecte.  | - Enlevez ce qui obstrue. Dans des conditions de froid extrême, une accumulation de glace peut se former sur la terminaison et devrait être enlevée lorsque nécessaire. (Pour minimiser les chances que cela survienne de nouveau, il est recommandé que les événements qui passent à travers des espaces non chauffés [greniers, garages, espaces réduits] soient recouverts d’un manchon isolant en mylar).<br><br>- Voir la section « évacuation » pour vérifier le bon emplacement des collets de solin.  |                      |                            |                         |                  |                     |         |                       |                            |                      |                            |        |      |       |     |        |
| Les flammes sont régulièrement trop grandes ou trop petites. Il se produit des dépôts de carbone.                                | La pression du gaz est trop faible ou trop forte.   | - <b>Vérifiez la pression:</b> Pour vérifier la pression d’arrivée, tournez 2 ou 3 fois la vis (A) vers la gauche, puis emboîtez le tube du manomètre sur la pointe d’essai. Le manomètre doit indiquer la pression comme décrit sur le diagramme ci-dessous. Assurez-vous que le brûleur principal fonctionne à « HI ». La pression de sortie peut être vérifiée de la même façon en utilisant la vis (B). Le manomètre doit indiquer la pression comme décrit sur le diagramme ci-dessous. Assurez-vous que le brûleur principal fonctionne à « HI ». <b>Après avoir pris la lecture des pressions, assurez-vous de tourner fermement les vis vers la droite pour sceller. NE SERREZ PAS TROP FORT.</b> Vérifiez pour des fuites en appliquant une solution d’eau savonneuse.       |                      |                            |                         |                  |                     |         |                       |                            |                      |                            |        |      |       |     |        |
|  |   | <table border="1"> <thead> <tr> <th>Pression</th> <th>Gaz Naturel (pouces)</th> <th>Gaz Naturel (millibars)</th> <th>Propane (pouces)</th> <th>Propane (millibars)</th> </tr> </thead> <tbody> <tr> <td>Arrivée</td> <td>*7"<br/>(minimum 4,5")</td> <td>17,4mb<br/>(minimum 11,2mb)</td> <td>13"<br/>(minimum 11")</td> <td>32,4mb<br/>(minimum 27,4mb)</td> </tr> <tr> <td>Sortie</td> <td>3,5"</td> <td>8,7mb</td> <td>10"</td> <td>24,9mb</td> </tr> </tbody> </table> <p><b>*Pression d’alimentation maximale ne doivent pas dépasser 13"</b></p>  | Pression             | Gaz Naturel (pouces)       | Gaz Naturel (millibars) | Propane (pouces) | Propane (millibars) | Arrivée | *7"<br>(minimum 4,5") | 17,4mb<br>(minimum 11,2mb) | 13"<br>(minimum 11") | 32,4mb<br>(minimum 27,4mb) | Sortie | 3,5" | 8,7mb | 10" | 24,9mb |
| Pression   | Gaz Naturel (pouces)  | Gaz Naturel (millibars)   | Propane (pouces)     | Propane (millibars)        |                         |                  |                     |         |                       |                            |                      |                            |        |      |       |     |        |
| Arrivée  | *7"<br>(minimum 4,5")   | 17,4mb<br>(minimum 11,2mb)  | 13"<br>(minimum 11") | 32,4mb<br>(minimum 27,4mb) |                         |                  |                     |         |                       |                            |                      |                            |        |      |       |     |        |
| Sortie   | 3,5"  | 8,7mb   | 10"                  | 24,9mb                     |                         |                  |                     |         |                       |                            |                      |                            |        |      |       |     |        |
|  | Le volet d’air est réglé incorrectement.  | - Voir la section « réglage du venturi » pour le réglage de l’ouverture du volet d’air dans le manuel d’installation.   |                      |                            |                         |                  |                     |         |                       |                            |                      |                            |        |      |       |     |        |
| Du carbone se dépose sur la vitre, les bûches, les roches, les composants décoratifs ou les parois de la chambre de combustion.  | Le volet d’air est bloqué.<br><br>Le flamme effleure la vitre, les bûches, les roches, les composants décoratifs ou les parois de la chambre de combustion. | - Assurez-vous que l’ouverture du volet d’air n’est pas bloquée par des fibres ou autres obstructions.<br><br>- Vérifiez si les composants décoratifs sont positionnés correctement.<br>- Augmentez l’ouverture du volet d’air pour augmenter le volume d’air primaire.<br>- Vérifiez le débit d’alimentation: vérifiez que la pression du collecteur et la grandeur de l’injecteur soient telles que spécifiées sur la plaque d’homologation.<br>- Vérifiez si les joints d’étanchéité de la porte ne sont pas brisés ni manquants et qu’ils sont étanches.<br>- Vérifiez que les deux conduits d’évent ne soient pas troués et qu’ils soient bien scellés à tous les joints.<br>- Vérifiez si l’élévation minimale par pied (mètre) est conforme pour toute évacuation horizontale. |                      |                            |                         |                  |                     |         |                       |                            |                      |                            |        |      |       |     |        |
| Une pellicule blanche ou grise se forme.   | Le souffre du combustible se dépose sur la vitre, les bûches ou les parois de la chambre de combustion.   | - Nettoyez la vitre avec un nettoyeur recommandé. <b>NETTOYER PAS LORSQU’ELLE EST CHAUDE.</b><br>- Si vous nettoyez pas les dépôts régulièrement, la vitre risque de rester marquée en permanence.  |                      |                            |                         |                  |                     |         |                       |                            |                      |                            |        |      |       |     |        |
| On détecte l’odeur des gaz de combustion dans la pièce, maux de tête.  | L’appareil refoule les gaz de combustion dans la pièce.<br>(Ce n’est pas applicable dans les appareils d’extérieur).  | - Vérifiez tous les joints scellés de la porte.<br>- Vérifiez si la cheminée ne serait pas bloquée.<br>- Vérifiez que les conduits d’évents sont installés correctement.<br>- La pièce est sous pression négative; augmentez l’apport d’air frais.  |                      |                            |                         |                  |                     |         |                       |                            |                      |                            |        |      |       |     |        |

| symptôme  | problème   | solution  |
|---|--|---|
| La veilleuse ne s'allume pas. Il y a du bruit mais aucune étincelle au brûleur de la veilleuse.         | Câblage: pénurie, connexion desserrée (rectification de la flamme pauvres).                  | <ul style="list-style-type: none"> <li>- Vérifiez qu'il n'y a pas de connexions desserrées du thermocouple ni sonde de flamme.</li> <li>- Vérifiez l'interrupteur de bloc n'est pas endommagée ou trop serré. Vérifiez si les connexions de l'assemblage de la veilleuse sont serrées; vérifiez aussi si ces connexions ne causent pas de mise à la terre au niveau du métal. (Souvenez-vous que la flamme transporte le courant redresseur et non le gaz. Si la flamme se détache de la hotte, le circuit est rompu. Un mauvais injecteur ou une pression d'arrivée trop élevée peut causer la flamme de la veilleuse à se détacher)*. La tige de la sonde a possiblement besoin d'être nettoyée.</li> </ul> |
|   | Aucun signal du télécommande avec ignition du veilleuse.                                     | <ul style="list-style-type: none"> <li>- Reprogrammer le code du récepteur.</li> <li>- Remplacer le récepteur.</li> </ul>   |
|   | Connexion desserrée.   | <ul style="list-style-type: none"> <li>- Vérifiez qu'il n'y ait pas de connexions desserrées de courts-circuits dans le filage du soupape ni de l'assemblage de la veilleuse.</li> </ul>  |
|   | Filage d'interrupteur inapproprié.   | <ul style="list-style-type: none"> <li>- Réparez le système avec un simple interrupteur <b>marche/arrêt</b>.</li> </ul>   |
|   | Composants de veilleuse sale, peint ou endommagée.   | <ul style="list-style-type: none"> <li>- Nettoyez la tige de la sonde avec une toile d'émeri (Scotch-Brite™) afin d'enlever toute contamination qui ait pu s'accumuler sur la tige de la sonde. Vérifiez la continuité avec un multimètre réglé sur Ohms au calibre le plus bas.</li> </ul>   |
| Étincelle à la veilleuse mais celle-ci ne s'allume pas.   | Alimentation en gaz.   | <ul style="list-style-type: none"> <li>- Vérifiez si la soupape à bille du conduite d'arrivée du gaz est « ouverte ».</li> <li>- Vérifiez si la pression d'arrivée est dans les limites acceptables. La pression d'arrivée ne doit pas excéder 13" de colonne d'eau (32,4mb).</li> </ul>  |
|   | Plus de propane.   | <ul style="list-style-type: none"> <li>- Remplissez le réservoir.</li> </ul>  |
|   | La ligne d'alimentation de la veilleuse peut contenir l'air.                                 | <ul style="list-style-type: none"> <li>- Répétez le processus d'étincelles plusieurs fois ou purger la conduite d'alimentation de la veilleuse.</li> </ul>  |
|   | Le module n'est pas mis à la terre.  | <ul style="list-style-type: none"> <li>- Assurez le bon polarité du thermocouple (si fourni).</li> <li>- Vérifiez si les assemblages de la veilleuse et de la soupape sont bien mis à la terre.</li> </ul>  |
|   | Récepteur (si équipé).   | <ul style="list-style-type: none"> <li>- Réinitialisez le programme: tenir le bouton de réinitialiser sur le récepteur attendre pour 2 bips. Relâcher le bouton après la deuxième bip. Pendant 20 secondes, appuyez sur le bouton de la télécommande accompagné d'une petite flamme, vous entendrez une bip additionnelle (cela confirmant que le code est réglé).</li> <li>- Remplacez le récepteur.</li> </ul>  |
|   | Soupape.   | <ul style="list-style-type: none"> <li>- Vérifiez le soupape et remplacer si nécessaire (attention à ne pas trop serrer le thermocouple).</li> </ul>  |
| Continue de produire des étincelles et la veilleuse s'allume mais le brûleur principal ne s'allume pas. | Court-circuit ou connexion desserrée dans la tige de la sonde.                               | <ul style="list-style-type: none"> <li>- Vérifiez toutes connexions. Vérifiez si les connexions de l'assemblage de la veilleuse sont serrées; vérifiez aussi si ces connexions ne causent pas de mise à la terre au niveau du métal.</li> </ul>   |
|   | Composants de veilleuse sale, peint ou endommagée.   | <ul style="list-style-type: none"> <li>- Nettoyez la tige de la sonde avec une toile d'émeri (Scotch-Brite™) afin d'enlever toute contamination qui ait pu s'accumuler sur la tige de la sonde. Vérifiez la continuité avec un multimètre réglé sur Ohms au calibre le plus bas.</li> </ul>   |
| Interrupteur mural est en position « <b>off</b> »; la brûleur s'allume.                                 | L'interrupteur mural est monté à l'envers.   | <ul style="list-style-type: none"> <li>- Inverse.</li> </ul>  |
|   | Interrupteur mural et/ou le fil est relié à la terre.  | <ul style="list-style-type: none"> <li>- Remplacer.</li> <li>- Vérifier la masse (court); réparer ou remplacer les fils.</li> </ul>   |
|   | Câble défectueux.  | <ul style="list-style-type: none"> <li>- Remplacer.</li> </ul>  |
| Le télécommande ne fonctionne pas correctement.   | La télécommande s'allume mais aucune étincelle ou flamme. (La télécommande est verrouillée). | <ul style="list-style-type: none"> <li>- Réinitialiser en tournant l'alimentation « off » puis « on ».</li> </ul> <div style="border: 1px solid black; padding: 5px; margin-top: 10px;"> <p><b>note:</b><br/>Si les piles de sauvegarde sont installés, ils doivent être enlevés pour programmer le télécommande.</p> </div>  |
|   | Les piles du récepteur ou télécommande sont faibles.   | <ul style="list-style-type: none"> <li>- Remplacez les piles.</li> </ul>  |
|   | Erreur de synchronisation.   | <ul style="list-style-type: none"> <li>- Réinitialiser le télécommande et le récepteur.</li> </ul>  |
|   | Le télécommande est trop loin du récepteur.  | <ul style="list-style-type: none"> <li>- Voir la section « schéma de câblage ».</li> </ul>  |
|   | Les broches de connecteur de fils sont courbés.  | <ul style="list-style-type: none"> <li>- Redresser les fils.</li> </ul>   |
|   | Câblage de la soupape est endommagée   | <ul style="list-style-type: none"> <li>- Remplacez la soupape.</li> </ul>   |

# guide de dépannage

FR

| symptôme   | problème  | solution  |
|--|---|---|
| Moteur tourne, les bips fréquent se produit.               | Les piles du récepteur sont faibles.                                | - Remplacez les piles.  |
| Lumières ou la soufflerie ne fonctionnent pas (si équipé). | L'interrupteur de contrôle est à la mauvaise position.              | - Vérifiez que l'interrupteur « on/off » est en position « I », ce qui indique le fonctionnement.   |
|  | L'interrupteur « COM » est débranché.                               | - Vérifiez que l'interrupteur « COM » est branché à l'avant du module de contrôle.  |
| Les flammes sont très actives.                             | La porte est ouvert.  | - Assurez-vous que la porte est bien fermée.  |
|  | Forte action de ventilation.  | - Assurez-vous que l'évacuation est adéquatement scellée ou étranglez la sortie de l'évacuation avec la plaque de restriction. (La plaque de restriction n'est pas disponible pour toutes modèles). |
| L'appareil n'effectue aucune fonction.                     | Pas de puissance au système.  | - Vérifiez que le disjoncteur est dans la position « on » position.   |
|  | L'interrupteur du récepteur est à la mauvaise position (si équipé). | - Vérifiez que le récepteur est dans la position « milieu ».  |
|  | La télécommande ne fonctionne pas.                                  | - Vérifiez les pile ainsi que leur orientation.   |

Les produits **Napoléon** sont fabriqués conformément aux normes strictes du Système de Gestion de la Qualité mondialement reconnu ISO 9001 : 2015.

Les produits **Napoléon** sont conçus avec des composants et des matériaux de qualité supérieure, assemblés par des artisans qualifiés qui sont fiers de leur travail. Le brûleur et le montage de la soupape subissent un test de détection de fuite et d'allumage à une station de test de qualité. Une fois assemblé, chaque appareil est soigneusement inspecté par un technicien qualifié avant d'être emballé pour garantie que vous, le client, recevez le produit de qualité dont vous vous attendez de **Napoléon**.

## Garantie à Vie Limité du Président des Appareils au Gaz Napoléon

Les matériaux suivants et la fabrication de votre nouveau appareil au gaz **Napoléon** sont garantis contre les défauts tant que vous en êtes le propriétaire. Ceci couvre: la chambre de combustion, l'échangeur de chaleur, le brûleur en acier / inoxydable, les bûches Phazer™ et les braises, les roches, la vitre en céramique (cassure thermique seulement), les pièces plaquées ou contre le ternissement, les composants en porcelaine émaillée et les moules d'extrusion en aluminium.\*

Les composants électriques (110V et millivolt) et les pièces soumises à l'usure sont couverts et **Napoléon** fournira gratuitement les pièces de rechange durant la première année de la garantie limitée. Ceci couvre: la soufflerie, les soupapes de gaz, l'interrupteur thermique, les interrupteurs, l'installation électrique, les télécommandes, l'allumeur, les joints d'étanchéité et l'assemblage de la veilleuse.\*

Les coûts de main-d'oeuvre relatifs aux réparations garanties sont couverts gratuitement durant la première année. (Les coûts de main-d'oeuvre n'est pas disponible pour l'ensemble de bûches à gaz). Cepedenant, les travaux de réparation nécessitent l'approbation préalable d'un représentant autorisé de la compagnie. Les coûts de main-d'oeuvre à la charge de **Napoléon** sont basés sur un programme de tarifs prédéterminé et tout travail de réparation doit être accompli par l'entremise d'un représentant autorisé **Napoléon**.

\* La fabrication de chaque modèle varie. La garantie s'applique uniquement aux composants disponibles avec votre appareil.

## Conditions et Limitations

**Napoléon** garantit ses produits contre les défauts de fabrication à l'acheteur d'origine seulement. L'enregistrement de la garantie n'est pas nécessaire. Fournissez simplement une preuve d'achat ainsi que la modèle et le numéro de série afin d'effectuer une réclamation de garantie.

**Napoléon** se réserve le droit de demander à son représentant d'inspecter tous produits ou pièces avant d'honorer toute réclamation. L'achat doit avoir été fait par l'entremise d'un détaillant **Napoléon** autorisé et sous réserve des conditions et limitations suivantes:

La couverture de la garantie débute à partir de la date d'installation originale. Cette garantie du fabricant n'est pas transférable et ne peut être prolongée par aucun de nos représentants. L'appareil au gaz doit être installé par un installateur autorisé qualifié, une agence de service ou fournisseur. L'installation doit être faite conformément aux instructions d'installation incluses avec le produit et à tous les codes d'incendie et de construction locaux et nationaux. Cette garantie limitée ne couvre pas les dommages causés par un mauvais usage, un manque d'entretien, un accident, des altérations, des abus ou de la négligence et l'installation de pièces d'autres fabricants annulera cette garantie. Cette garantie limitée ne couvre pas non plus les égratignures, les bossellements, la corrosion ou la décoloration causés par une chaleur excessive, des produits d'entretien chimiques et abrasifs ou l'écaillage des pièces en porcelaine émaillée, le bris par manipulation des bûches PHAZER™ et des braises.

Cette garantie s'étend à la réparation ou au remplacement des pièces garanties dont les matériaux ou la fabrication sont défectueux à la condition que le produit ait été utilisé conformément aux instructions de fonctionnement et dans des conditions normales. Après la première année, concernant cette Garantie à Vie Limitée du Président, **Napoléon** peut, à sa discrétion, se libérer entièrement de toutes obligations en ce qui concerne cette garantie en remboursant à l'acheteur d'origine le prix de gros de toute pièce garantie qui est défectueuse.

Après la première année, **Napoléon** ne sera pas responsable de l'installation, de la main-d'oeuvre ou autres dépenses relatives à la réinstallation d'une pièce garantie et de telles dépenses ne sont pas couvertes par cette garantie.

Nonobstant toutes les dispositions contenues dans cette Garantie à Vie Limitée du Président, la responsabilité de **Napoléon** sous cette garantie est définie comme ci-dessus et elle ne s'appliquera à aucun dommage accidentel, consécutif ou indirect. Cette garantie définit l'obligation et la responsabilité de **Napoléon** en ce qui concerne l'appareil au gaz **Napoléon** et toute autre garantie énoncée ou implicite en ce qui concerne ce produit, ses composants ou accessoires est exclue.

**Napoléon** n'endosse ni n'autorise aucun tiers à assumer en son nom, toute autre responsabilité concernant la vente de ce produit.

**Napoléon** ne sera pas responsable d'une surchauffe, des refoulements, des déversements causés par des conditions environnementales telles que des toits, des bâtiments, la proximité d'arbres, de collines, de montagnes, une ventilation ou des événements inadéquats, une configuration d'évacuation excessive, un apport d'air insuffisant ou des pressions négatives qui peuvent ou non être causés par des systèmes mécaniques tels que les ventilateurs d'évacuation, les fournaies, les sècheuses de linge, etc. Tout dommage causé à l'appareil, à la chambre de combustion, à l'échangeur de chaleur, aux garnitures plaquées ou autres composants par l'eau, les dommages causés par les intempéries, de longues périodes d'humidité, la condensation, des produits chimiques ou produits d'entretien nuisibles ne seront pas la responsabilité de **Napoléon**.

Durant les dix premières années, **Napoléon** remplacera ou réparera les pièces défectueuses qui sont couvertes par la garantie à vie limitée à sa discrétion gratuitement. Après les dix premières années, **Napoléon** fournira les pièces de rechange à 50% du prix de détail courant. Le fabricant peut exiger que les pièces défectueuses ou les produits soient retournés ou que des photos numériques soient fournies pour valider la réclamation. Les produits retournés doivent être expédiés port payé au fabricant pour une inspection en usine. Si un produit est déclaré défectueux, le fabricant le réparera ou le remplacera. Avant d'expédier votre appareil ou les pièces défectueuses, votre détaillant doit obtenir un numéro d'autorisation.

Toute marchandise expédiée à notre usine sans autorisation sera refusée et retournée à l'expéditeur.

Les coûts d'expédition ne sont pas couverts par cette garantie.

Des frais de service supplémentaires peuvent être appliqués si vous cherchez à obtenir des services au titre de la garantie auprès d'un détaillant.

Les indemnités de main-d'oeuvre au titre de la garantie s'appliquent uniquement pour le remplacement d'une pièce garantie.

Les frais de déplacement, de tests de diagnostic, d'expédition et autres frais afférents ne sont pas couverts par cette garantie.

Toutes les spécifications et les conceptions sont sujettes à modifications sans préavis en raison des améliorations constantes apportées au produit. **Napoléon** est une marque de commerce déposée de Wolf Steel Ltée.

# NAPOLÉON CÉLÈBRE PLUS DE 40 ANS D'EXISTENCE CONSACRÉS À LA CONCEPTION DE PRODUITS DE CONFORT



7200, Route Transcanadienne, Montréal, Québec H4T 1A3  
24 Napoleon Road, Barrie, Ontario, Canada L4M 0G8  
214 Bayview Drive, Barrie, Ontario, Canada L4N 4Y8  
103 Miller Drive, Crittenden, Kentucky, USA 41030  
De Riemsdijk 22, 4004 LC Tiel, Pays-Bas

Téléphone: 1-866-820-8686  
napoleon.com