

**DO NOT PRINT THIS PAGE!**

**INSTRUCTIONS:**

**LEAFLET TO BE PRINTED ON  
11" X 17" ORANGE PAPER**

**PLEASE PRINT IN  
BLACK AND WHITE**

# ALTITUDE™ X SERIES

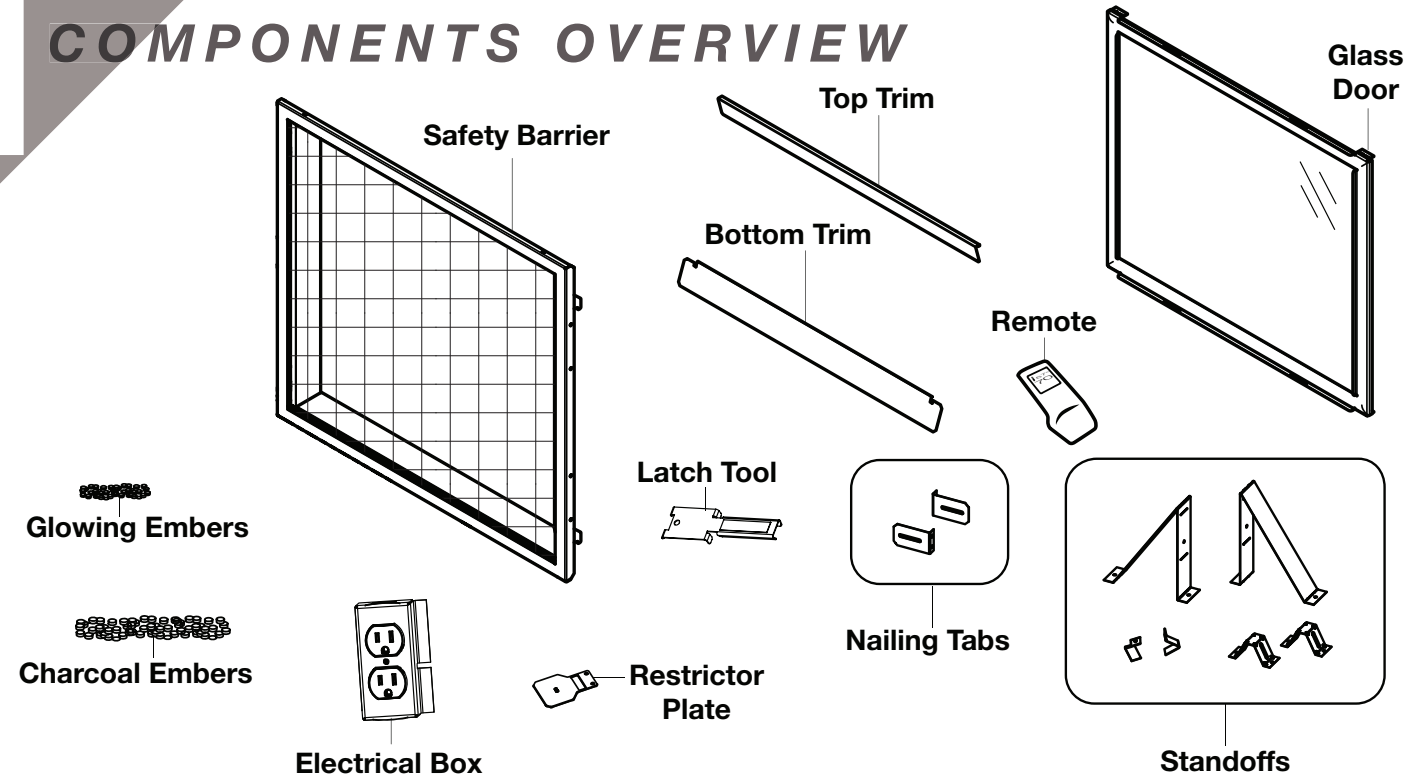
## QUICK REFERENCE GUIDE

Please send us your feedback at [HearthFeedback@napoleon.com](mailto:HearthFeedback@napoleon.com)



# PLANNING

## 1 COMPONENTS OVERVIEW



## 2 QUICK FACTS

- **TOP VENT** only.
- **ROUND TERMINAL** only (GD422R-2 Round with Wolf Steel Venting).
- Silhouette terminal (ST58) available for non-combustible wall applications only.
- Requires 20" minimum rise and insulation for the first 24" of the vent run as the appliance has high BTU.

	AX36		AX42	
<b>Fuel Type</b>	NG	P	NG	P
<b>Max. Input (BTU/hr)</b>	36,500	35,000	38,000	36,500
<b>Efficiency</b>	41.8%	43.7%	48.3%	47.4%

## 3 IMPORTANT PLANNING INFORMATION

### Finish Framing

- A 3 1/2" deep recess can be built above the combustible header (see recess framing instructions on page 36 in Installation Manual).
- Altitude™ X Heat Management System (AXHM) available to manage heat produced by the appliance at and around the fireplace.

**NOTE: Framing and finishing requirements are different from standard installation (see "AXHM" Leaflet for details).**

### Finishing

- Mantel clearances can be reduced with Altitude™ X Heat Management System (AXHM) (see page 42 in Installation Manual) (**Fig. 1**).
- **Example: A 10" mantel clearance can be reduced to 4".**
- In order to hide stiffener ribs in the firebox, decorative panels are recommended to finish the firebox appearance but **MUST** be ordered separately (see page 20 in Owner's Manual).

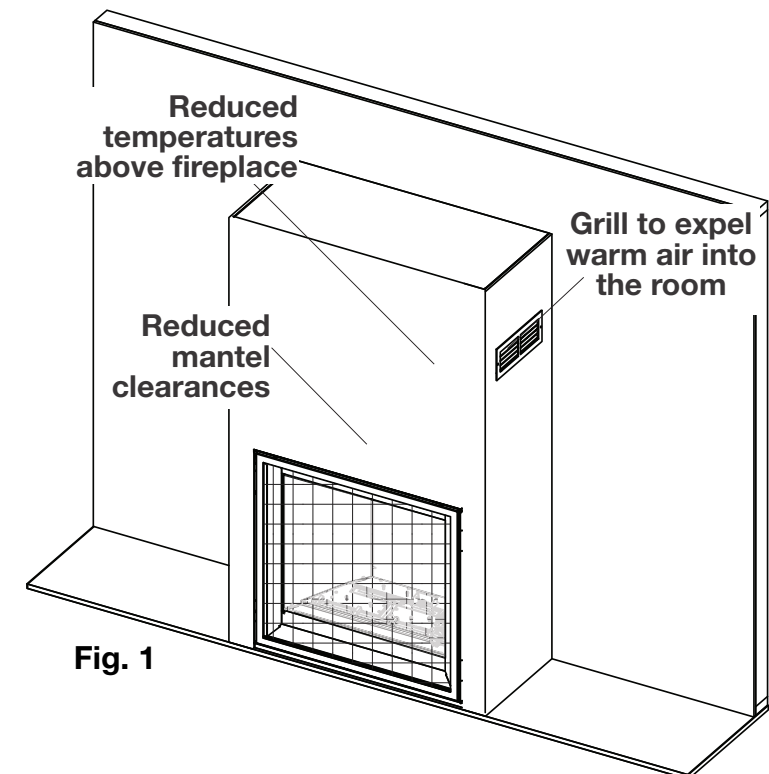


Fig. 1

Refer to manual.



W415-2012 / C / 02.27.20

Product information provided is not complete and is subject to change without notice. Please consult the installation manual for the most up to date installation information.

# INSTALLATION

## 4 IMPORTANT INSTALLATION INFORMATION

### Venting

- The first 24" of vent pipe off the fireplace must be covered with the supplied insulation sleeve (see page 14 in Installation Manual).
- Minimum vertical venting run is 20" with a maximum 20" horizontal run (see page 14 in Installation Manual).
- 3" clearance on top and 2" clearance on sides and bottom of vent pipe on horizontal runs (see page 23 in Installation Manual).
- Contains adjustable restrictor plate and factory-installed reducer, which prevents flames being small and fast-moving (Fig. 2). For different applications/settings, see page 28 in Installation Manual.

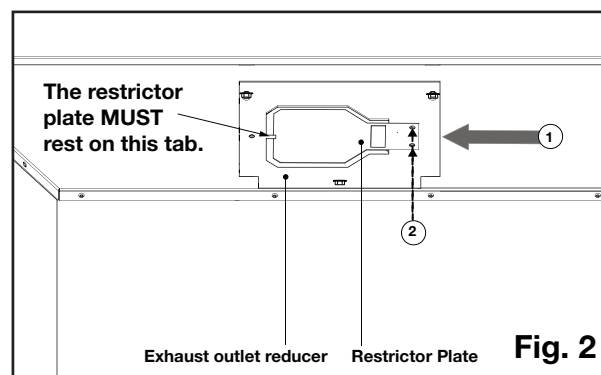


Fig. 2

### Rough Framing

- **The appliance MUST be placed on a raised platform to accommodate for the thickness of finished floor materials, which could interfere with installation of the safety barrier and/or decorative front (see page 21 in Installation Manual) (Fig. 3).**

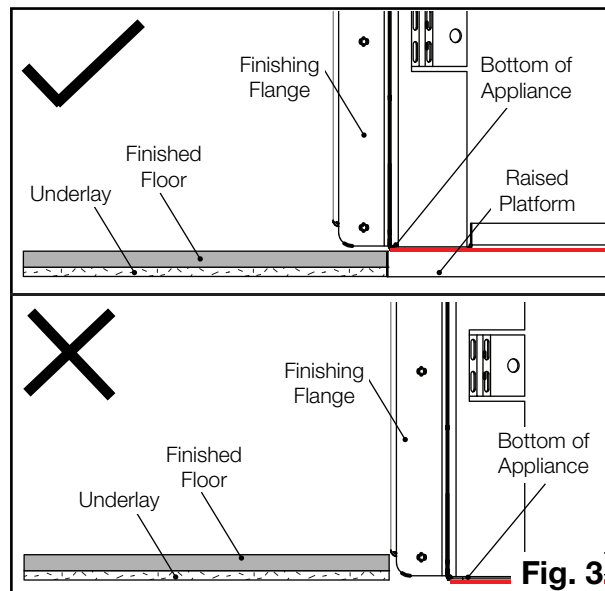


Fig. 3

- Nailing tabs are supplied in the manual baggie and are used to secure the fireplace to the framing enclosure (see page 18 in Installation Manual) (Fig. 4). **NOTE: Do not use bend-out tabs on the frame.**
- Top stand-offs must be assembled to ensure minimum clearance to the combustible header (see page 19 in Installation Manual) (Fig. 4).

### Finish Framing

- A 3 1/2" deep recess can be built above the combustible header (see recess framing instructions on page 35 in Installation Manual).

### Electrical

- The electrical box is supplied in the manual baggie (see "Components Overview" on previous page).

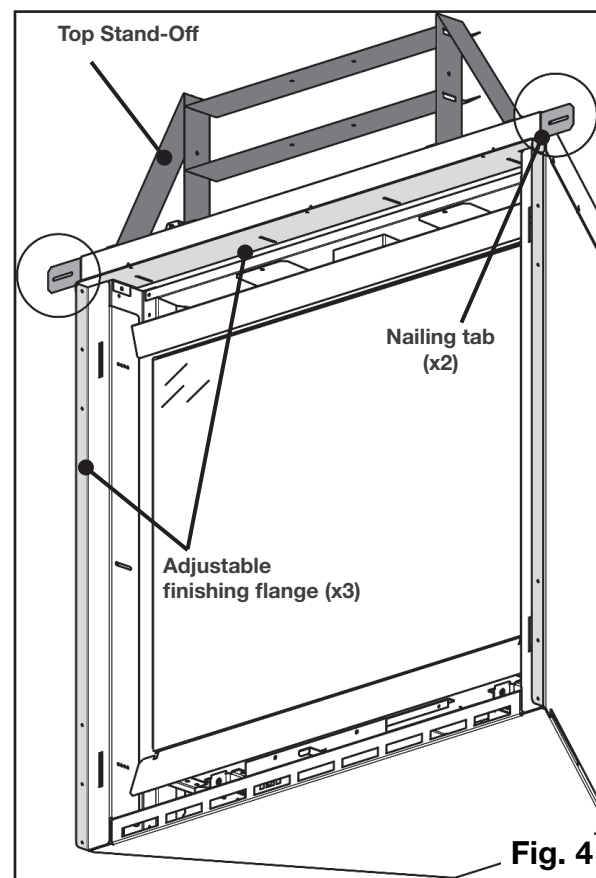


Fig. 4

### Finishing

- In order to hide stiffener ribs in the firebox, decorative panels are recommended to finish the firebox appearance but **MUST** be ordered separately (see page 20 in Owner's Manual).
- **In order to conceal controls, the top and bottom trims are wrapped separately inside the appliance and MUST be installed. NOTE: DO NOT DISCARD (Fig. 5).**
- New multi-piece log set requires critical placement (see log leaflets).
- For easy application, cover the front burner with finely shredded glowing embers before log placement (see page 44 in Installation Manual).
- In order to accommodate varying finishing depths, appliance includes adjustable finishing flange (see page 41 in Installation Manual) (Fig. 4).
- Contains external "fine adjustment" air lever and air shutter (see page 44 and 45 in Installation Manual).

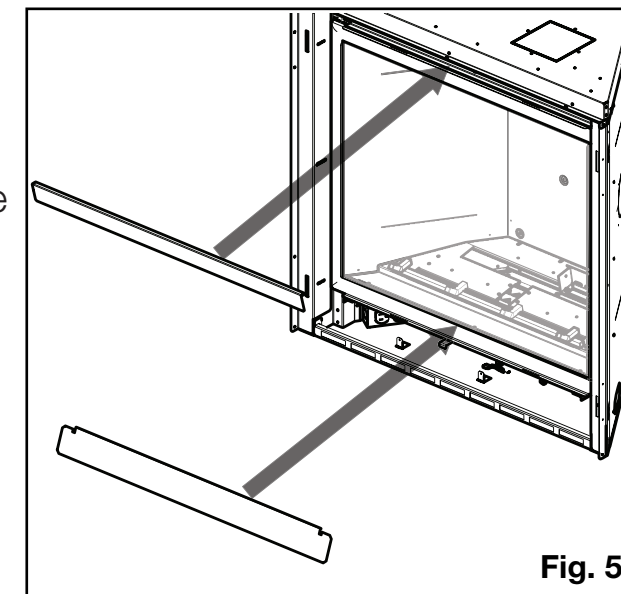


Fig. 5

### Operation

- Equipped with eFire app to control fireplace by Bluetooth technology from your mobile device. Visit <http://napoleonfireplaces.com/efire> for instructions.

## 5 DON'T FORGET

### Installer:

- Fill out "Dealer Information" section (see page 4 in Owner's Manual).
- Fill out "Gas Fireplace Installation Checklist" section (see page 6 in Installation Manual).