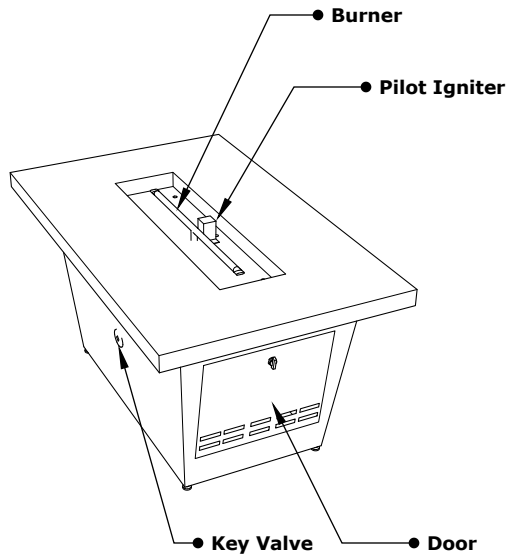
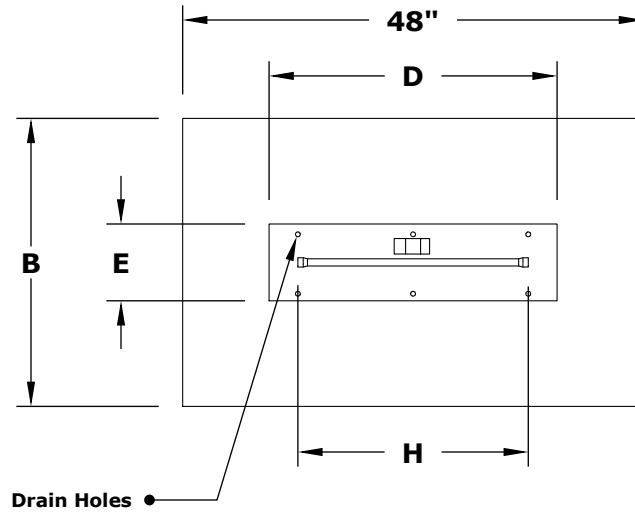


TACOMA FIRE TABLE

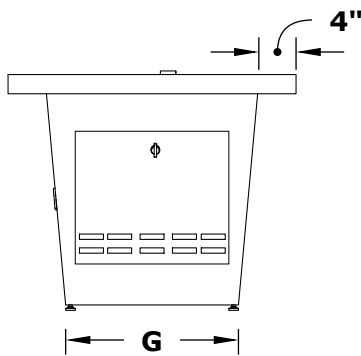
OPT-TACW4830
OPT-TACW4830EKIT



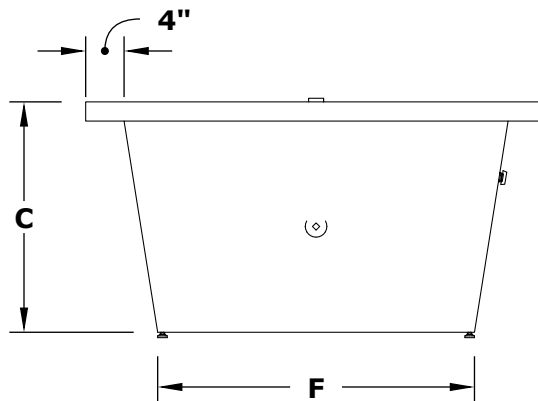
ISOMETRIC VIEW



TOP VIEW



RIGHT SIDE VIEW



FRONT SIDE VIEW

PART NUMBER	A	B	C	D	E	F	G	H	BTU
OPT-TACW4830	48"	30"	24"	30"	8"	33"	18"	24"	65,000

Fire Pit Material: GFRC Concrete (Top),
Steel Powder Coated (Base)

Pan Material: 304 Stainless Steel
Burner Material: 304 Stainless Steel
Standard 1" Flange on all pans
Standard 2" Depth on all pans

110V ELECTRONIC IGNITION
ANSI Z21.97-(2017) / CSA 2.41-(2017)



Match Lit Unit Includes: Pan, Burner, Gas Orifice, Gas Hoses, Key Valve, Key,
110v Ignition Unit Includes: Pan, Burner, Gas Orifice, Gas Hoses, Key Valve, Key, Plug & Play Electronic Valve, Pilot Igniter.

Proprietary & Confidential: The information contained in this drawing is the sole property of **The Outdoor Plus**. Any reproduction or as a whole without written permission of **The Outdoor Plus** is prohibited.