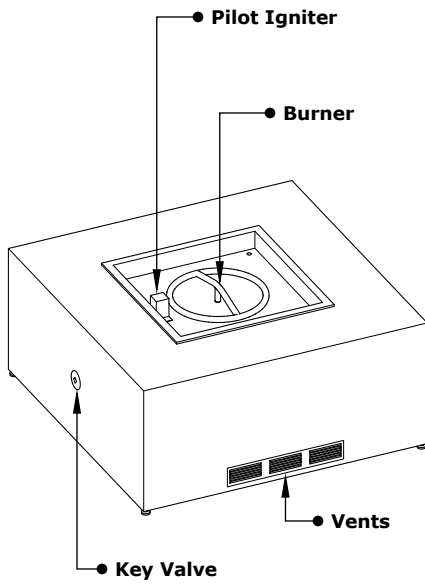
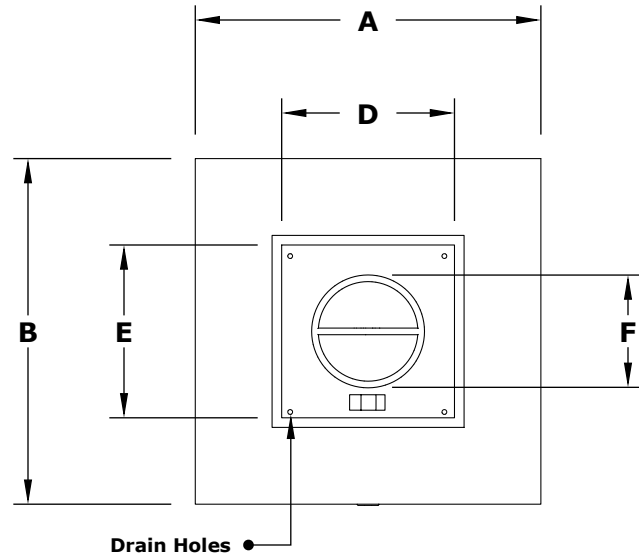


SQUARE PIT FORM - 16" TALL

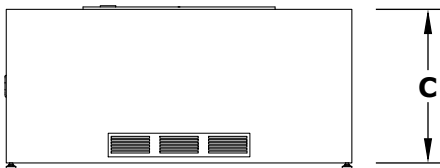
GFRC CONCRETE



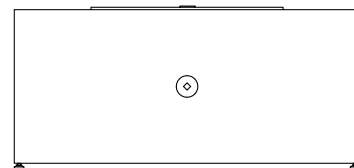
ISOMETRIC VIEW



TOP VIEW



RIGHT SIDE VIEW



FRONT SIDE VIEW

PART NUMBER	A	B	C	D	E	F	BTU
OPT-S36PB	36"	36"	16"	18"	18"	12"	65,000
OPT-S48PB	48"	48"	16"	18"	18"	12"	65,000
OPT-S60PB	60"	60"	16"	24"	24"	12"	65,000
OPT-S72PB	72"	72"	16"	30"	30"	18"	65,000
OPT-S84PB	84"	84"	16"	36"	36"	18"	65,000

Fire Pit Material: GFRC Concrete
 Pan Material: 304 Stainless Steel
 Burner Material: 304 Stainless Steel

Standard 1" Depth on all pans
 Standard 2" Depth on all pans

110V ELECTRONIC IGNITION
 ANSI Z21.97-(2017) / CSA 2.41-(2017)



Match Lit Unit Includes: Pan, Burner, Gas Orifice, Gas Hoses, Key Valve, Key,
 110v Ignition Unit Includes: Pan, Burner, Gas Orifice, Gas Hoses, Key Valve, Key, Plug & Play Electronic Valve, Pilot Igniter.