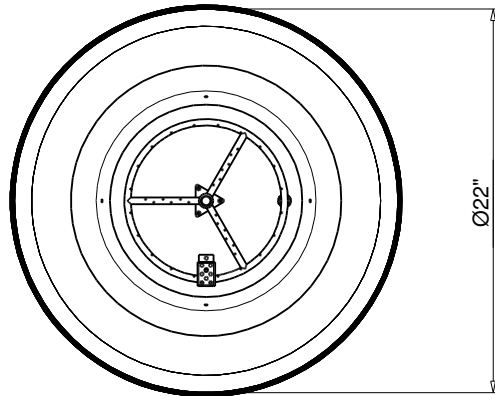
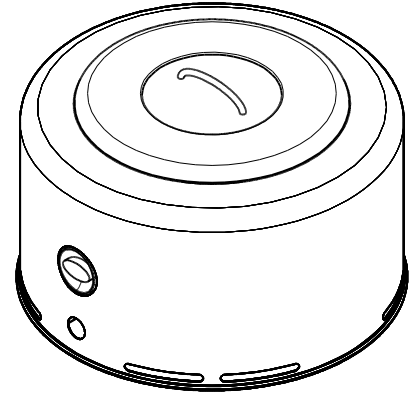
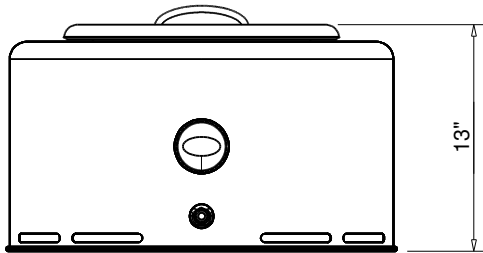




FIRE INSPIRED®

Hearth Products Controls Co
CSA CERTIFIED-OUTDOOR USE ONLY
FOR COMMERCIAL AND RESIDENTIAL USE

HEARTH PRODUCTS CONTROLS
2225 LYONS RD.
MIAMISBURG, OH 45342
TOLL FREE: 877.585.9800
PHONE: 937.436.9800
www.hpcfire.com

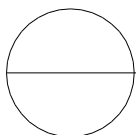


FEATURES:

1. THERMOCOUPLE FOR FLAME SENSING
2. TIP OVER SWITCH
3. BUILT IN REGULATOR
4. LP SMALL TANK HOSE ATTACHED WITH QCC TANK CONNECTION

Notes:

1. PROPER VENTING
 - ALL VENTS MUST BE FREE FROM ANY DEBRIS OR OBJECT
2. GAS SUPPLY - FOR USE WITH SMALL TANKS UP TO 90K.
 - LP Gas: Operating Supply Pressure: Minimum: 10.0" W.C.; Maximum: 11.0" W.C.
5. MODIFICATION OF PRODUCT WILL VOID ANY CERTIFICATION AND WARRANTY.
6. FOLLOW ALL MANUFACTURER INSTALLATION INSTRUCTIONS AND LOCAL CODES.
7. ALL DIMENSIONS ARE CONSIDERED TRUE AND REFLECT MANUFACTURER'S SPECIFICATIONS AS OF THE REVISION DATE.
8. DO NOT SCALE DRAWING.
9. THESE DRAWINGS ARE FOR SIZING AND PLANNING PURPOSES. ALL INFORMATION CONTAINED HEREIN WAS CURRENT AT THE TIME OF DEVELOPMENT. THE MANUFACTURER'S RESPONSIBLE FOR THE ACCURACY OF THE DRAWING.
10. CONTRACTOR'S NOTE: FOR PRODUCT AND COMPANY INFORMATION VISIT www.CADdetails.com/info REFERENCE NUMBER 771-076.



SPORT PIT

PORTABLE FIRE PIT - FLAME SENSING MATCH LIT IGNITION