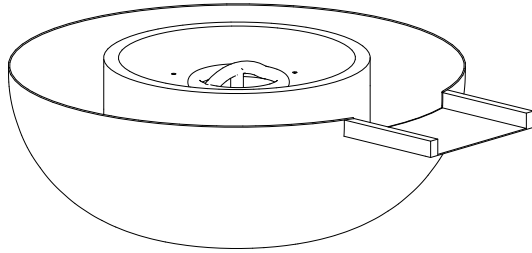
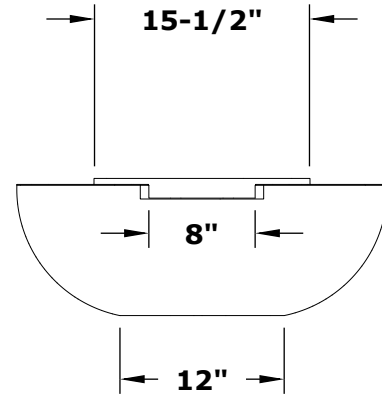


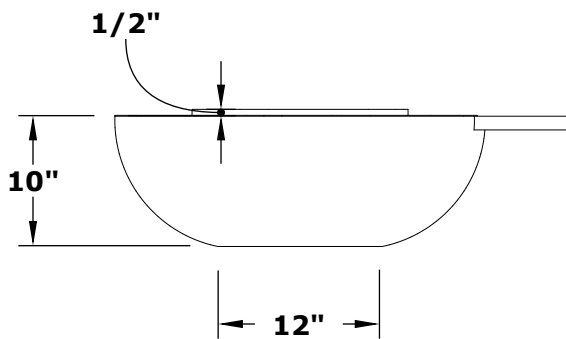
# SEDONA FIRE & WATER GRAVITY SPILL BOWL- HAMMERED PATINA COPPER



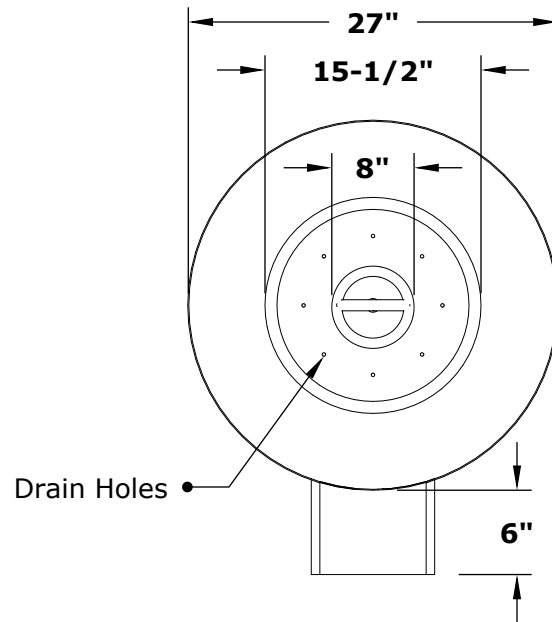
**ISOMETRIC VIEW**



**FRONT SIDE VIEW**



**RIGHT SIDE VIEW**



**TOP SIDE VIEW**

Includes: Bowl, Pan, Burner, Whistle Free Hoses, Orifice, Black Lava Rock.  
 Bowl Material: Copper  
 Bowl Finish: Patina Hammered Copper  
 Pan Material: 304 Stainless Steel  
 Burner Material: 304 Stainless Steel  
 BTU: 45,000

 **12V ELECTRONIC IGNITION**  
 ANSI Z21.97-(2017) / CSA 2.41-(2017)