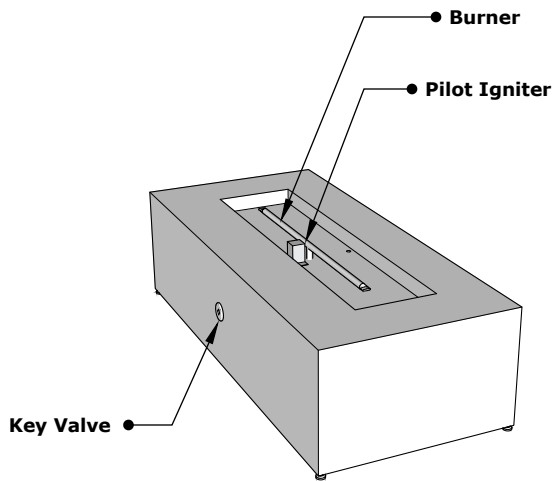
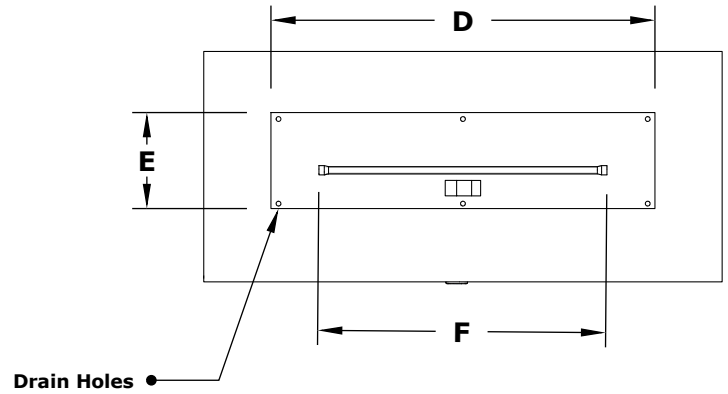


# REGAL FIRE PIT - 48"

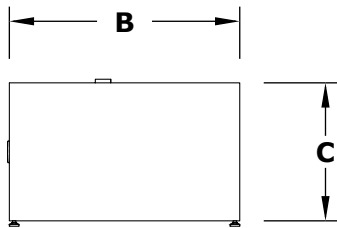
Powder Coat



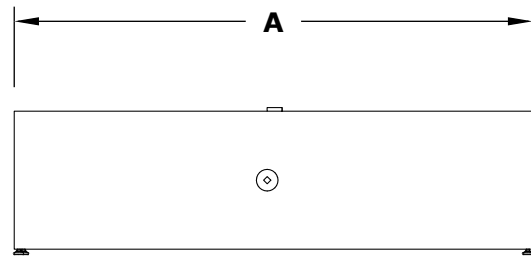
**ISOMETRIC VIEW**



**TOP VIEW**



**RIGHT SIDE VIEW**



**FRONT SIDE VIEW**

PART NUMBER	A	B	C	D	E	F	BTU
OPT-RGLPC48	48"	24"	13"	34"	10"	30"	45,000
OPT-RGLPC48EKIT	48"	24"	13"	34"	10"	30"	45,000
OPT-RGLPC48E12V	48"	24"	13"	34"	10"	30"	45,000
OPT-RGLPC48FSML	48"	24"	13"	34"	10"	30"	45,000
OPT-RGLPC48FSEN	48"	24"	13"	34"	10"	30"	45,000

Fire Pit Material: Metal Powder Coat  
 Pan Material: 304 Stainless Steel  
 Burner Material: 304 Stainless Steel

Standard 2" Depth on all pans  
**110V ELECTRONIC IGNITION**  
 ANSI Z21.97-(2017) / CSA 2.41-(2017)

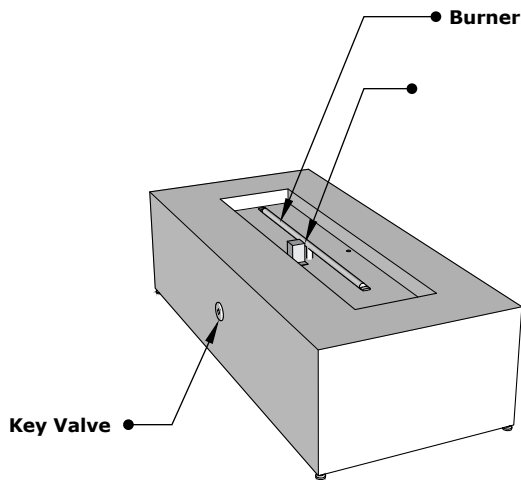


Match Lit Unit Includes: Pan, Burner, Gas Orifice, Gas Hoses, Key Valve, Key,  
 110v Ignition Unit Includes: Pan, Burner, Gas Orifice, Gas Hoses, Key Valve, Key, Plug & Play Electronic Valve, Pilot Igniter.

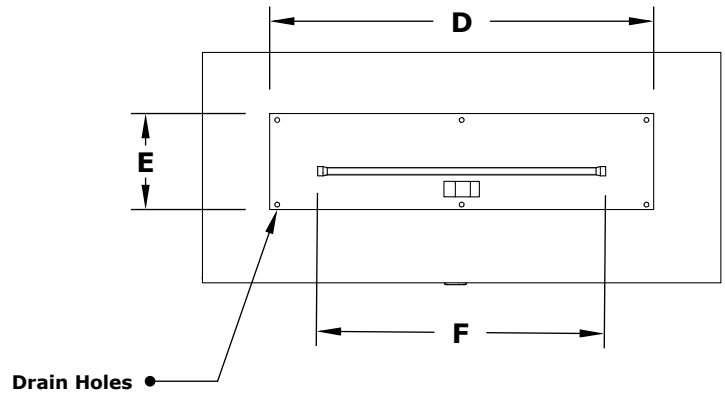
**Proprietary & Confidential:** The information contained in this drawing is the sole property of **The Outdoor Plus**. Any reproduction or as a whole without written permission of **The Outdoor Plus** is prohibited.

# REGAL FIRE PIT - 54"

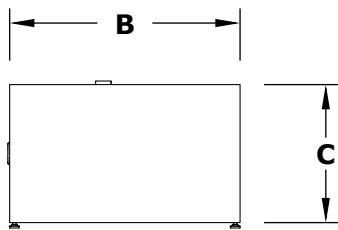
Powder Coat



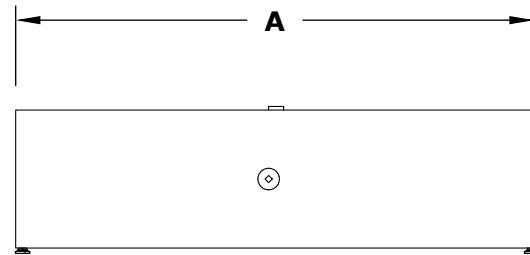
**ISOMETRIC VIEW**



**TOP VIEW**



**RIGHT SIDE VIEW**



**FRONT SIDE VIEW**

PART NUMBER	A	B	C	D	E	F	BTU
OPT-RGLPC54	54"	24"	13"	40"	10"	30"	65,000
OPT-RGLPC54EKIT	54"	24"	13"	40"	10"	30"	65,000
OPT-RGLPC54E12V	54"	24"	13"	40"	10"	30"	65,000
OPT-RGLPC54FSML	54"	24"	13"	40"	10"	30"	65,000
OPT-RGLPC54FSEN	54"	24"	13"	40"	10"	30"	65,000

Fire Pit Material: Metal Powder Coat  
 Pan Material: 304 Stainless Steel  
 Burner Material: 304 Stainless Steel

Standard 2" Depth on all pans  
**110V ELECTRONIC IGNITION**  
 ANSI Z21.97-(2017) / CSA 2.41-(2017)

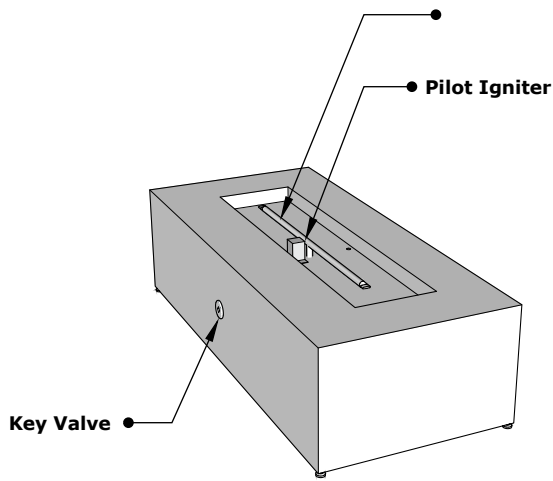


Match Lit Unit Includes: Pan, Burner, Gas Orifice, Gas Hoses, Key Valve, Key,  
 110v Ignition Unit Includes: Pan, Burner, Gas Orifice, Gas Hoses, Key Valve, Key, Plug & Play Electronic Valve, Pilot Igniter.

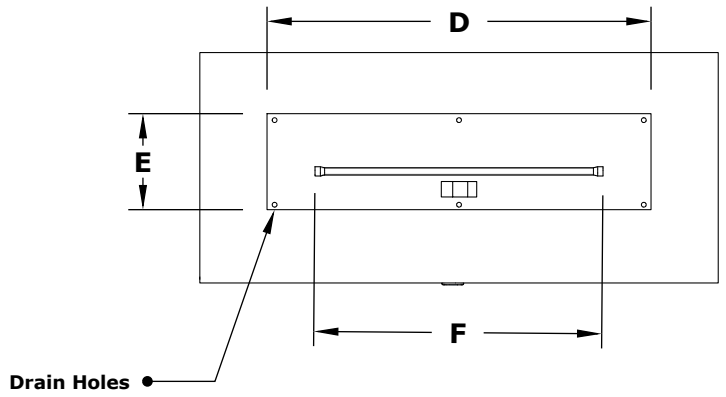
**Proprietary & Confidential:** The information contained in this drawing is the sole property of **The Outdoor Plus**. Any reproduction or as a whole without written permission of **The Outdoor Plus** is prohibited.

# REGAL FIRE PIT - 60"

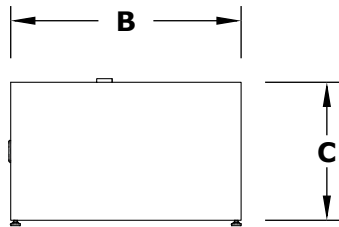
Powder Coat



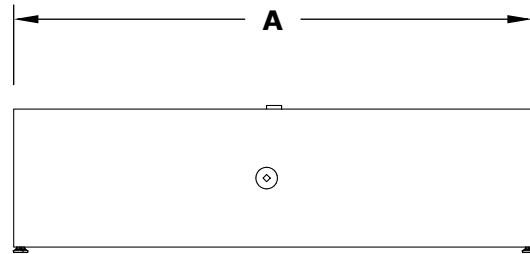
ISOMETRIC VIEW



TOP VIEW



RIGHT SIDE VIEW



FRONT SIDE VIEW

PART NUMBER	A	B	C	D	E	F	BTU
OPT-RGLPC60	60"	24"	13"	48"	10"	30"	65,000
OPT-RGLPC60EKIT	60"	24"	13"	48"	10"	30"	65,000
OPT-RGLPC60E12V	60"	24"	13"	48"	10"	30"	65,000
OPT-RGLPC60FSML	60"	24"	13"	48"	10"	30"	65,000
OPT-RGLPC60FSEN	60"	24"	13"	48"	10"	30"	65,000

Fire Pit Material: Metal Powder Coat  
 Pan Material: 304 Stainless Steel  
 Burner Material: 304 Stainless Steel

Standard 2" Depth on all pans  
**110V ELECTRONIC IGNITION**  
 ANSI Z21.97-(2017) / CSA 2.41-(2017)



Match Lit Unit Includes: Pan, Burner, Gas Orifice, Gas Hoses, Key Valve, Key,  
 110v Ignition Unit Includes: Pan, Burner, Gas Orifice, Gas Hoses, Key Valve, Key, Plug & Play Electronic Valve, Pilot Igniter.

**Proprietary & Confidential:** The information contained in this drawing is the sole property of **The Outdoor Plus**. Any reproduction or as a whole without written permission of **The Outdoor Plus** is prohibited.