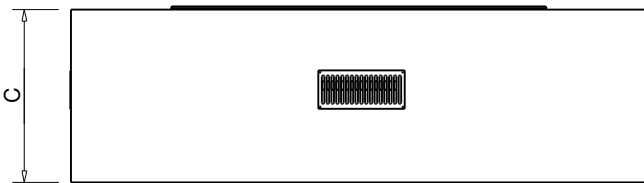
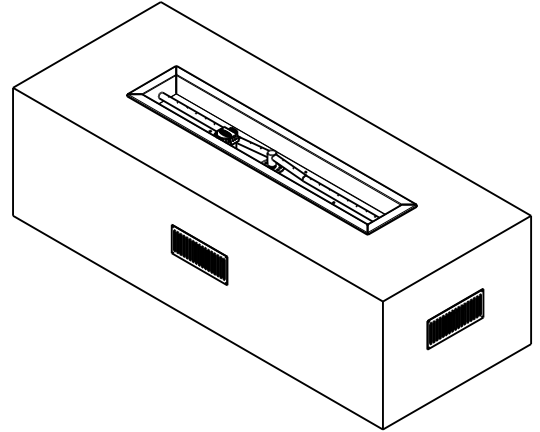
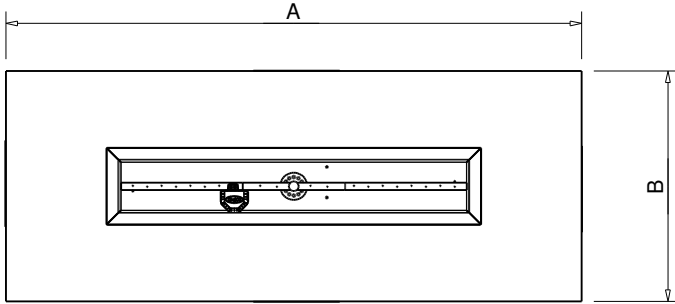


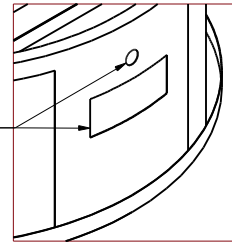


Hearth Products Controls Co
FIRE PIT INSERT CSA CERTIFIED-OUTDOOR USE ONLY
FOR COMMERCIAL AND RESIDENTIAL USE

HEARTH PRODUCTS CONTROLS
 2225 LYONS RD.
 MIAMISBURG, OH 45342
 TOLL FREE: 877.585.9800
 PHONE: 937.436.9800
 www.hpcfire.com



FRAME IS PRE-CUT FOR FPPK OR MLFPK BUT NOT HARDIBOARD



ELECTRONIC IGNITION (EI)						
PART NUMBERS	STND BTU	DIMENSION CHART			POWER	INSERT
		A"	B"	C"		
U60X24/36CEK	75K	60	24	18	120VAC OR 24VAC	36SSEI-TRGH
U60X24/48CEK	100K	60	24	18	120VAC OR 24VAC	48SSEI-TRGH
PUSH BUTTON/FLAME SENSING (FPPK)						
PART NUMBERS	STND BTU	DIMENSION CHART			POWER	INSERT
		A"	B"	C"		
U60X24/36FPPKCEK	75K	60	24	18	AA BATTERY	FPPK36-TRGH
U60X24/48FPPKCEK	90K	60	24	18	AA BATTERY	FPPK48-TRGH
MATCH LIT (MLFPK)						
PART NUMBERS	STND BTU	DIMENSION CHART			POWER	INSERT
		A"	B"	C"		
U60X24/36MLFPKCEK	65K	60	24	18	-	MLFPK36-TRGH
U60X24/48MLFPKCEK	65K	60	24	18	-	MLFPK48-TRGH

EI MODELS INCLUDE: ENCLOSURE, FULLY ASSEMBLED INSERT, INPUT FLEX LINE AND INSTRUCTIONS

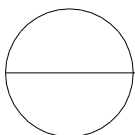
FPPK MODELS INCLUDE: ENCLOSURE, FULLY ASSEMBLED INSERT, MOUNTING SLEEVE AND INSTRUCTIONS

MLFPK MODELS INCLUDE: ENCLOSURE, FULLY ASSEMBLED INSERT AND INSTRUCTIONS

INSERT: 36" OR 48"

Notes:

1. CONSTRUCTION - 22 GAUGE GALVANIZED STEEL WELDED FRAME AND 1/2" HARDIBOARD SHELL AND WEIGHS 150 LBS.
2. ALL ENCLOSURES INCLUDE REQUIRED 4 each 18 SQ/IN VENTS ON OPPOSING SIDES. ADEQUATE DRAINAGE IS NEEDED.
2. FOLLOW ALL MANUFACTURER INSTALLATION INSTRUCTIONS AND LOCAL CODES.
3. ALL DIMENSIONS ARE CONSIDERED TRUE AND REFLECT MANUFACTURER'S SPECIFICATIONS AS OF THE REVISION DATE.
4. DO NOT SCALE DRAWING.
5. THESE DRAWINGS ARE FOR SIZING AND PLANNING PURPOSES. ALL INFORMATION CONTAINED HEREIN WAS CURRENT AT THE TIME OF DEVELOPMENT. THE MANUFACTURER'S RESPONSIBLE FOR THE ACCURACY OF THE DRAWING.
6. CONTRACTOR'S NOTE: FOR PRODUCT AND COMPANY INFORMATION VISIT www.CADdetails.com/info REFERENCE NUMBER 771-067.



READY TO FINISH SERIES
RECTANGLE BURNER ENCLOSURE - TROUGH BURNER INSERT