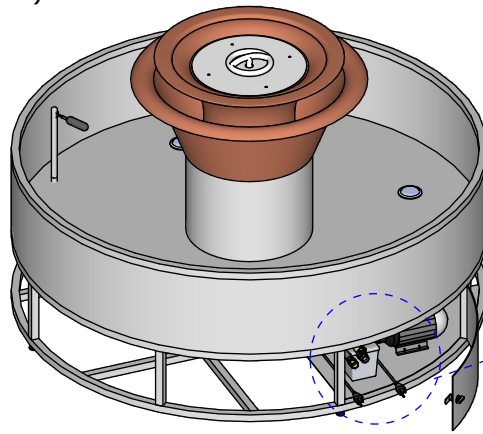


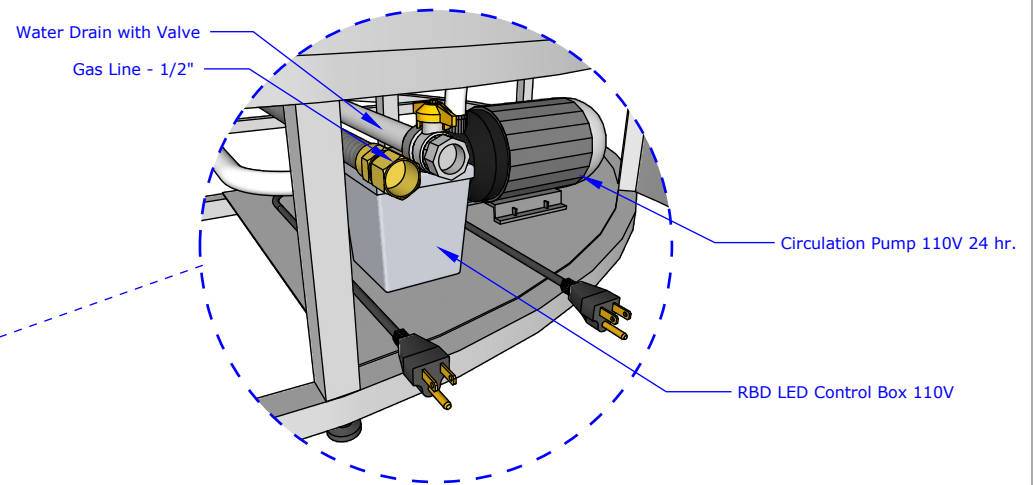
COPPER CAZO FIRE AND WATER BOWL, 360° SPILL

OPT-OLY60 (Match Lit)

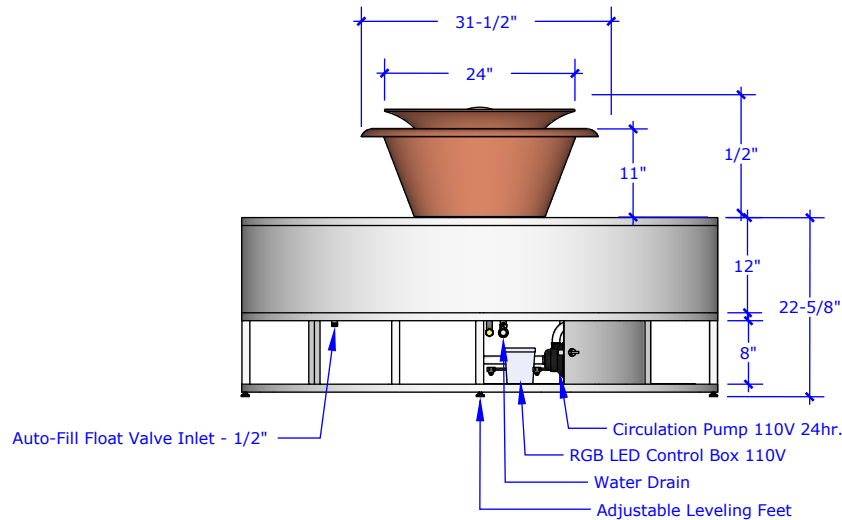
OPT-OLY60E (12V Ignition)



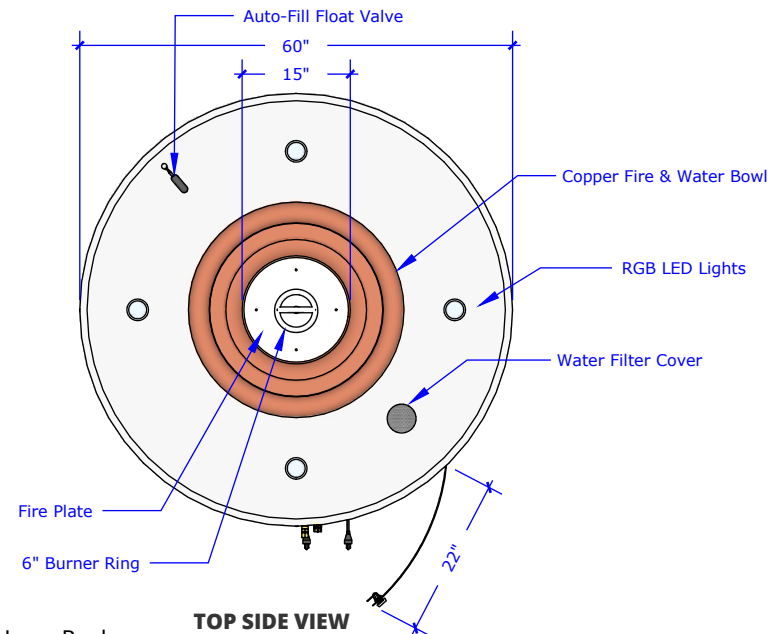
ISOMETRIC VIEW



COMPONENT CLOSE UP



FRONT SIDE VIEW



TOP SIDE VIEW

Tank Includes: LED Lights (X4), 50 Ft2 Water Filter, 24Hr Circulation Pump, Auto-Fill, Drain Valve.
Tank Material: 316 Stainless Steel
Tank Finish: Ash Powder Coat

Bowl Includes: Fire Pan, Burner, Gas Hose, Lava Rock, Electronic Valve, Igniter Pilot, 12-14V Transformer
Bowl Material: Copper
Bowl Finish: Smooth Patina Copper
Burner Material: Stainless Steel



12V/110V ELECTRONIC IGNITION
ANSI Z21.97-(2017) / CSA 2.41-(2017)

Bowl Section View

