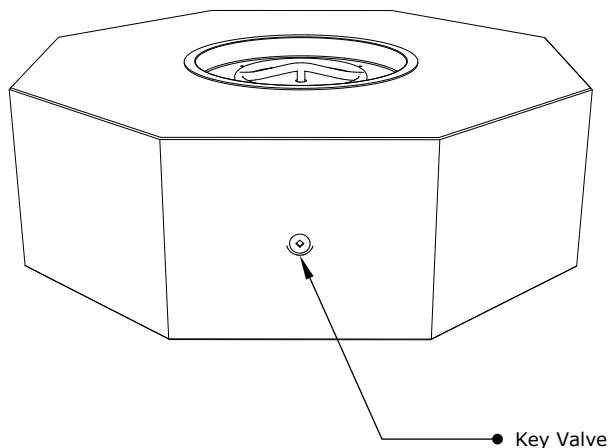
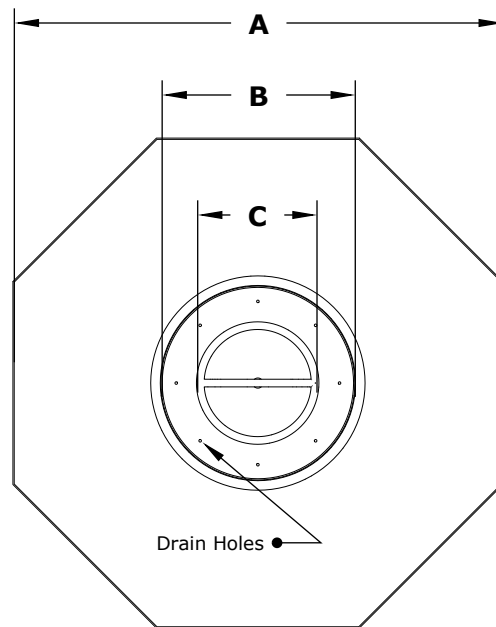


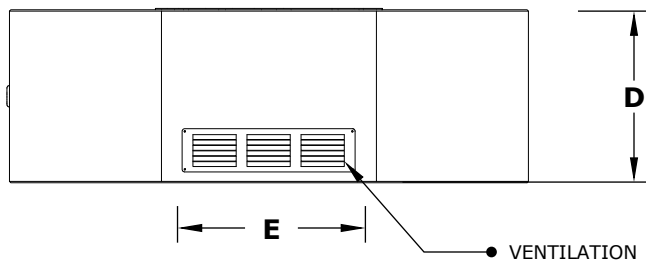
# OCTAGON RTF FIRE PIT - READY TO FINISH



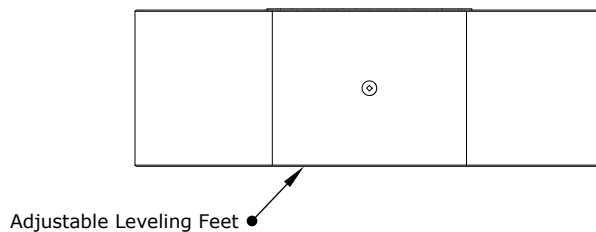
**ISOMETRIC VIEW**



**TOP VIEW**



**RIGHT SIDE VIEW**



**FRONT SIDE VIEW**

SKU	A	B	C	D	E	BTU
OPT-OCTG36PB	36"	19"	12"	16"	14"	65,000
OPT-OCTG48PB	48"	19"	12"	16"	18"	65,000
OPT-OCTG60PB	60"	25"	18"	16"	25"	65,000
OPT-OCTG72PB	72"	31"	24"	16"	27"	65,000
OPT-OCTG84PB	84"	37"	30"	16"	32"	65,000

Fire Pit Material: Copper  
 Finish: Hammered Patina  
 Pan Material: 304 Stainless Steel  
 Burner Material: 304 Stainless Steel  
 Ignition Type: Match Lit/110V Ignition

Standard 1" Flange on all pans  
 Standard 2" Depth on all pans  
**110V ELECTRONIC IGNITION**  
 ANSI Z21.97-(2017) / CSA 2.41-(2017)



Includes: Pan, Burner, Key Valve, Whistle Free Hoses, Black Lava Rock.

Match Lit Unit Includes: Pan, Burner, Gas Orifice, Gas Hoses, Key Valve, Key,  
 110v Ignition Unit Includes: Pan, Burner, Gas Orifice, Gas Hoses, Key Valve, Key, Plug & Play Electronic Valve, Pilot Igniter.