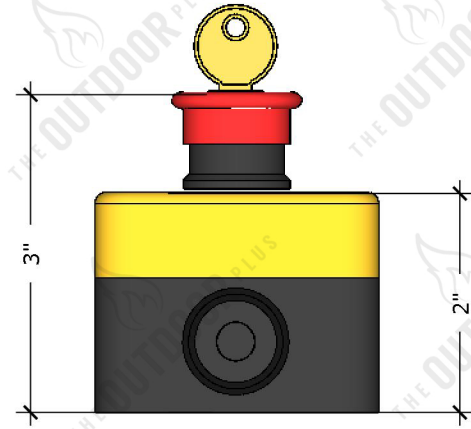
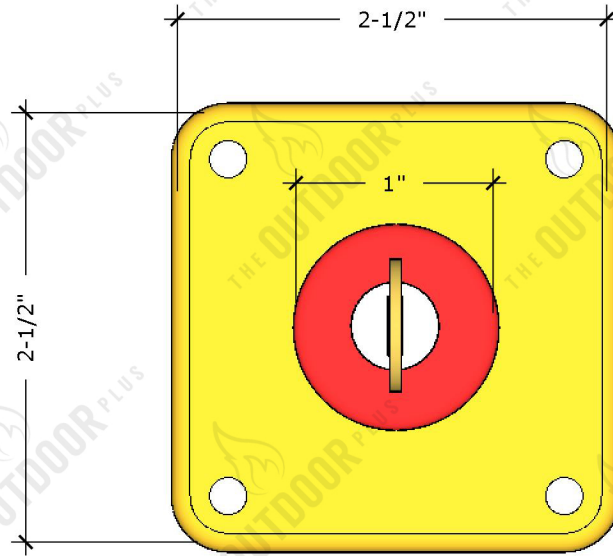


**PERSPECTIVE**



**FRONT**



**TOP**

**EMERGENCY STOP WITH KEY**

<b>Part Number</b>	OPT-ESTOPKEY
<b>Material</b>	PLASTIC/METAL
<b>Finishes</b>	BLACK/YELLOW
<b>Gas Type</b>	N/A
<b>Weight</b>	N/A
<b>BTUs</b>	N/A
<b>Suggested Fire Glass</b>	N/A
<b>Access Door</b>	N/A



235 East Main St  
 Ontario CA 91761  
 Office: (909) 460-5579